



US00D409268S

# United States Patent [19] O'Rourke

[11] **Patent Number: Des. 409,268**

[45] **Date of Patent: \*\* May 4, 1999**

[54] **POOL FLOAT**

5,604,945 2/1997 Fisher et al. .... 5/706

[75] Inventor: **James P. O'Rourke**, Brentwood, Tenn.

### OTHER PUBLICATIONS

Wellington Water Sports Brochure.

[73] Assignee: **Kidpower, Inc.**, Brentwood, Tenn.

*Primary Examiner*—Kay H. Chin

[\*\*] Term: **14 Years**

*Attorney, Agent, or Firm*—Waddey & Patterson; Lucian Wayne Beavers

[21] Appl. No.: **29/091,957**

### [57] CLAIM

[22] Filed: **Aug. 10, 1998**

The ornamental design for a pool float, as shown and described.

[51] **LOC (6) Cl.** ..... **21-06**

[52] **U.S. Cl.** ..... **D21/809; D21/803**

[58] **Field of Search** ..... D21/800, 803,  
D21/809; 441/129, 130, 131, 132, 40, 41;  
5/706, 710, 711

### DESCRIPTION

### [56] References Cited

#### U.S. PATENT DOCUMENTS

D. 303,560	9/1989	Scheurer	.....	D21/809
4,006,503	2/1977	Wood	.....	441/129
4,138,753	2/1979	Wood	.....	441/129
4,634,393	1/1987	Wood	.....	441/129

FIG. 1 is a front perspective view of a pool float showing my new design;

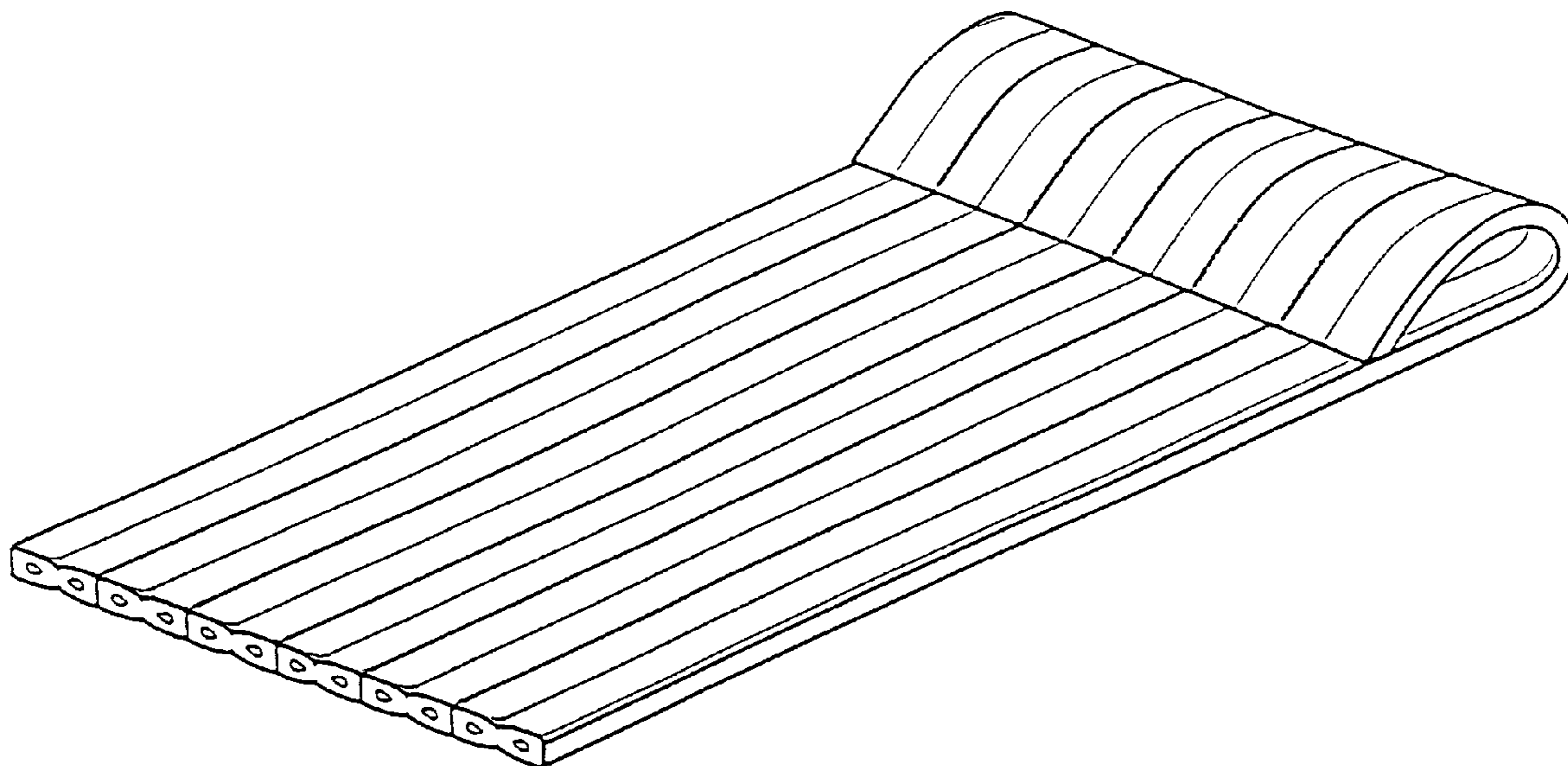
FIG. 2 is a side elevational view thereof, the opposite side view being a mirror image of that shown;

FIG. 3 is a top plan view thereof;

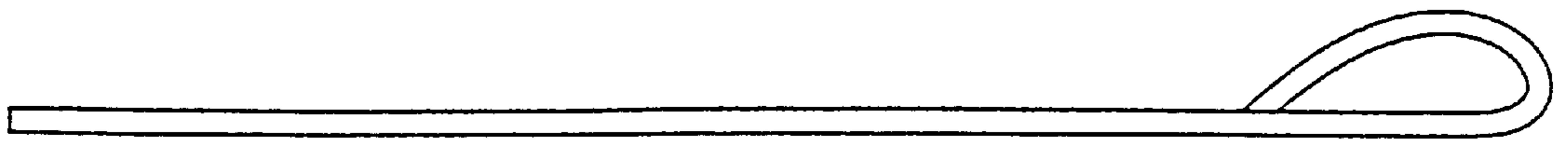
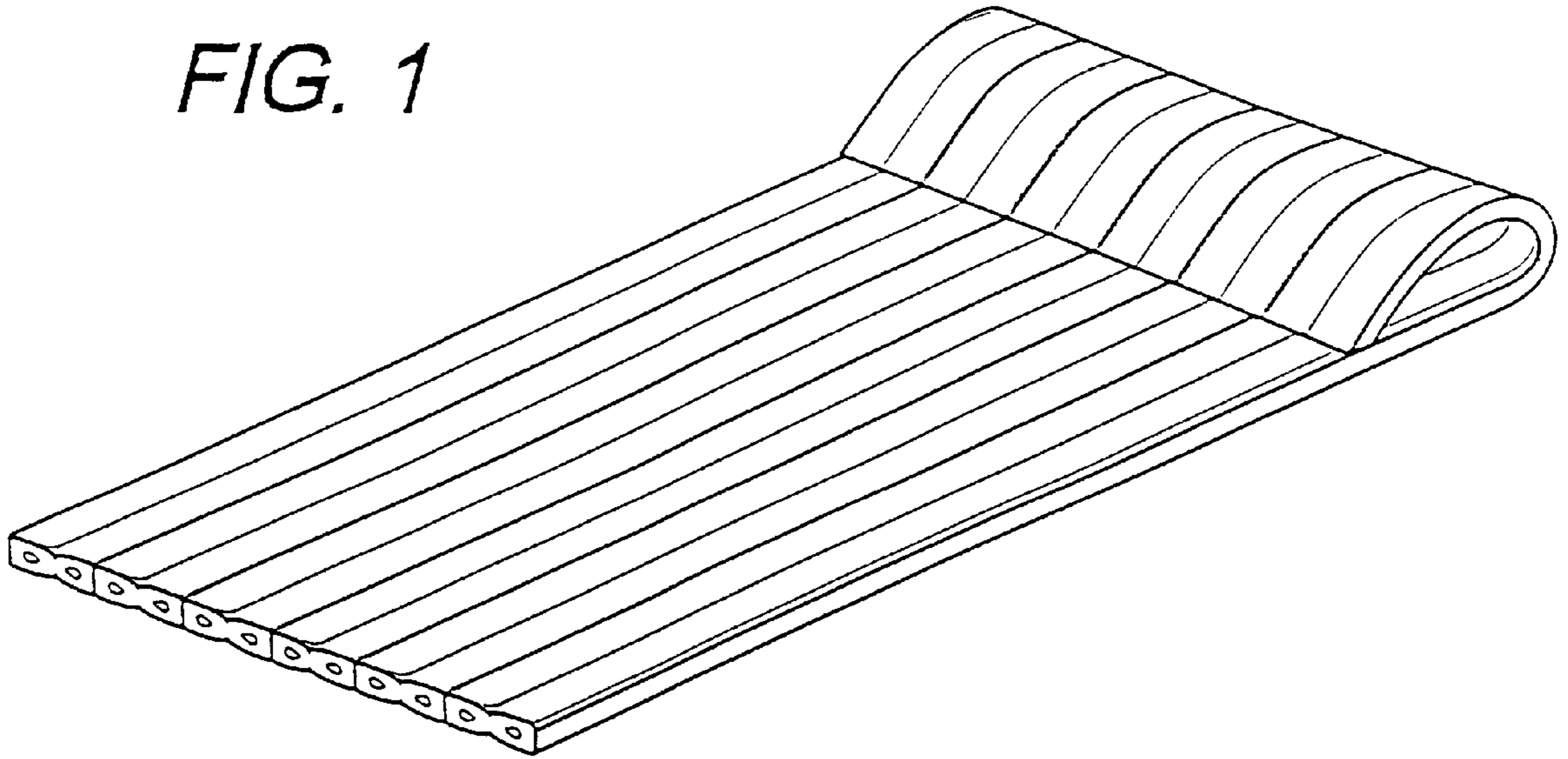
FIG. 4 is a bottom plan view thereof; and,

FIG. 5 is an end view thereof.

**1 Claim, 2 Drawing Sheets**



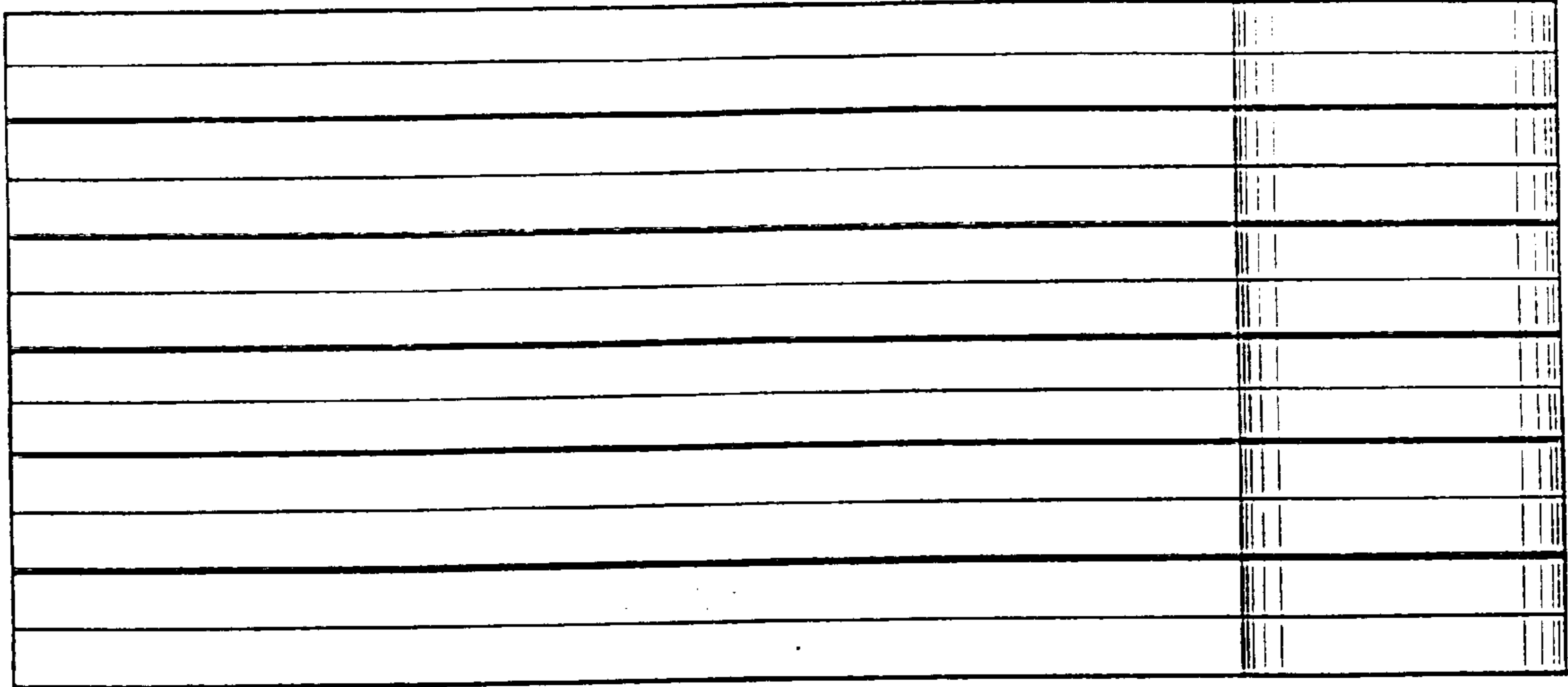
*FIG. 1*



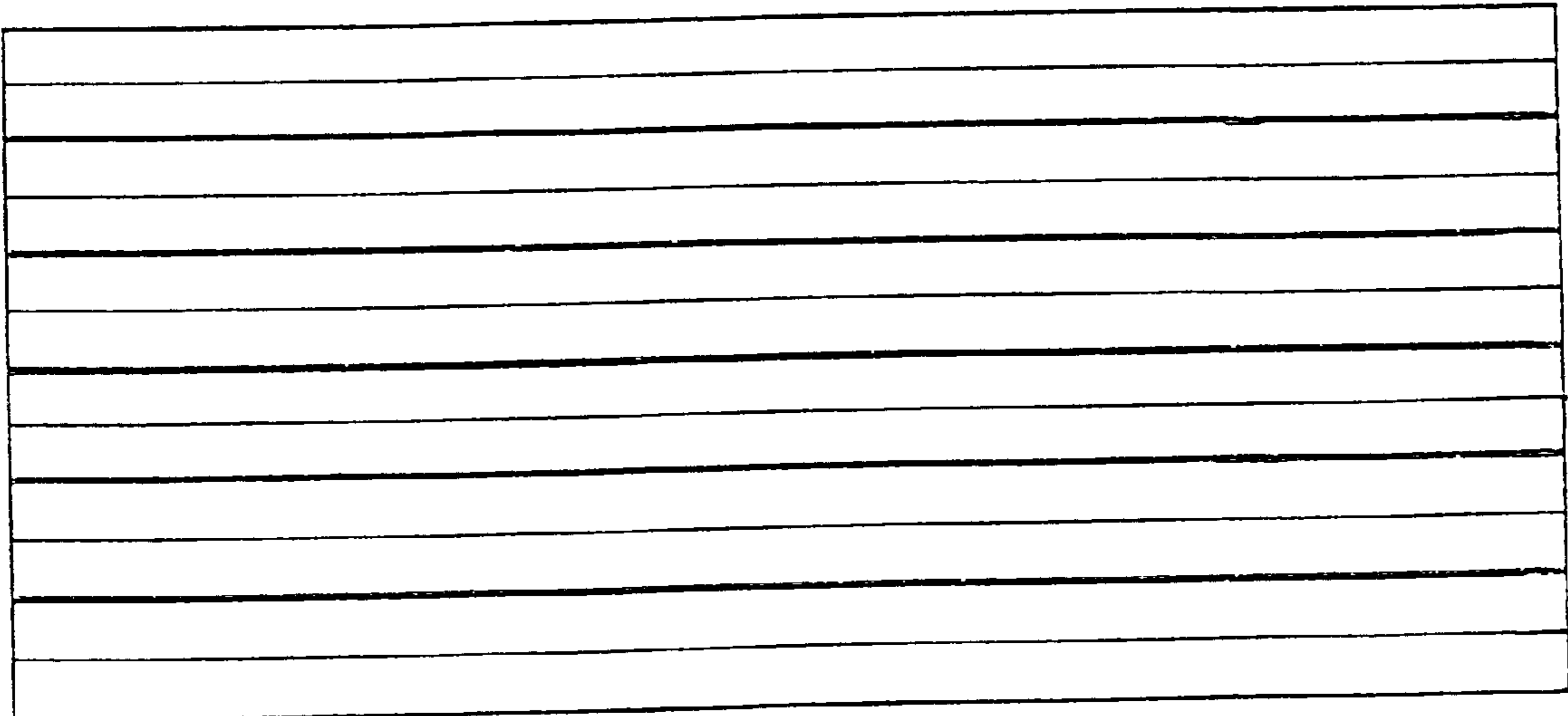
*FIG. 2*



*FIG. 5*



*FIG. 3*



*FIG. 4*