



US00D409266S

# United States Patent [19]

[11] Patent Number: Des. 409,266

Rojas et al.

[45] Date of Patent: \*\* May 4, 1999

[54] **PAIR OF WEIGHTS FOR A DUMBBELL OR BARBELL**

[75] Inventors: **Michael D. Rojas**, Tustin; **Scott J. Frasco**, Huntington Beach, both of Calif.

[73] Assignee: **Iron Grip Barbell Company, Inc.**, Fountain Valley, Calif.

[\*\*] Term: **14 Years**

[21] Appl. No.: **29/077,159**

[22] Filed: **Jul. 8, 1997**

[51] **LOC (6) Cl.** ..... **21-02**

[52] **U.S. Cl.** ..... **D21/681; D21/680**

[58] **Field of Search** ..... D21/191, 195, D21/196, 197, 198; 482/105, 106, 107, 108, 109

[56] **References Cited**

**U.S. PATENT DOCUMENTS**

D. 297,962	10/1988	Wu	.....	D21/197
D. 355,007	1/1995	Rojas et al.	.....	D21/197
D. 384,713	10/1997	Eckman	.....	D21/197
1,630,467	5/1927	Bradstreet	.....	482/108
4,997,184	3/1991	Sherman	.....	482/108

*Primary Examiner*—Philip S. Hyder  
*Attorney, Agent, or Firm*—Darby & Darby

[57] **CLAIM**

The ornamental design for a pair of weights for a dumbbell or barbell, as shown and described.

**DESCRIPTION**

FIG. 1 is a perspective view of a dumbbell or barbell showing my new design;

FIG. 2 is a front view thereof, the rear view, top view and bottom view being a mirror image thereof;

FIG. 3 is a left side view thereof, the right side view being a mirror image thereof;

FIG. 4 is a perspective view of a second embodiment of a dumbbell or barbell showing my new design;

FIG. 5 is a front view of the barbell and dumbbell shown in FIG. 4, the rear view, top view and bottom view being a mirror image thereof, and the left side view being identical to FIG. 3 and the right side view being a mirror image of FIG. 3;

FIG. 6 is a perspective view of a third embodiment thereof of a dumbbell or barbell showing my new design;

FIG. 7 is a front view of the barbell and dumbbell shown in FIG. 6, the rear view being a mirror image thereof;

FIG. 8 is a left side view of the barbell and dumbbell shown in FIG. 6, the right side view being a mirror image thereof;

FIG. 9 is the top view of the barbell and dumbbell shown in FIG. 6, the bottom view being a mirror image thereof;

FIG. 10 is a perspective view of a fourth embodiment of a dumbbell or barbell showing my new design;

FIG. 11 is a front view of the barbell and dumbbell shown in FIG. 10, the rear view being a mirror image thereof;

FIG. 12 is a top view of the barbell and dumbbell shown in FIG. 10, the bottom view being a mirror image thereof, and the left side view being identical to FIG. 8, the right side view being a mirror image of FIG. 8;

FIG. 13 is a perspective view of a fifth embodiment of a dumbbell or barbell showing my new design;

FIG. 14 is a front view of the barbell and dumbbell shown in FIG. 13, the rear view, top view and bottom view being a mirror image thereof;

FIG. 15 is a left side view of the barbell and dumbbell shown in FIG. 13, the right side view being a mirror image thereof;

FIG. 16 is a perspective view of a sixth embodiment thereof of a dumbbell or barbell showing my new design; and,

FIG. 17 is a front view of the barbell and dumbbell shown in FIG. 16, the rear view, top view and bottom view being a mirror image thereof, the left side view being identical to FIG. 15 and the right side view being a mirror image of FIG. 15.

The broken portions of the drawings are for illustrative purposes only and form no part of the claimed design.

**1 Claim, 7 Drawing Sheets**

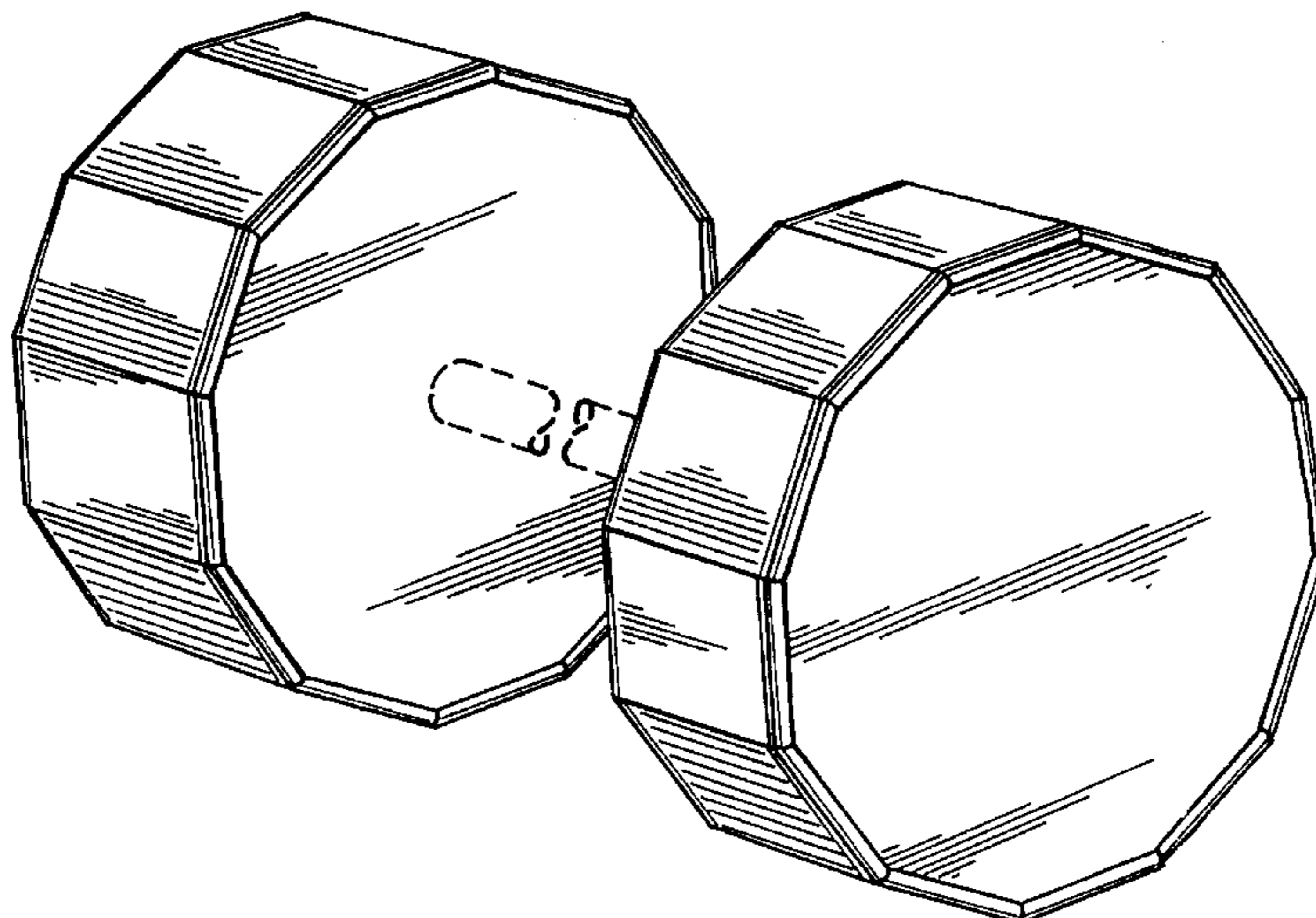


FIG. 1

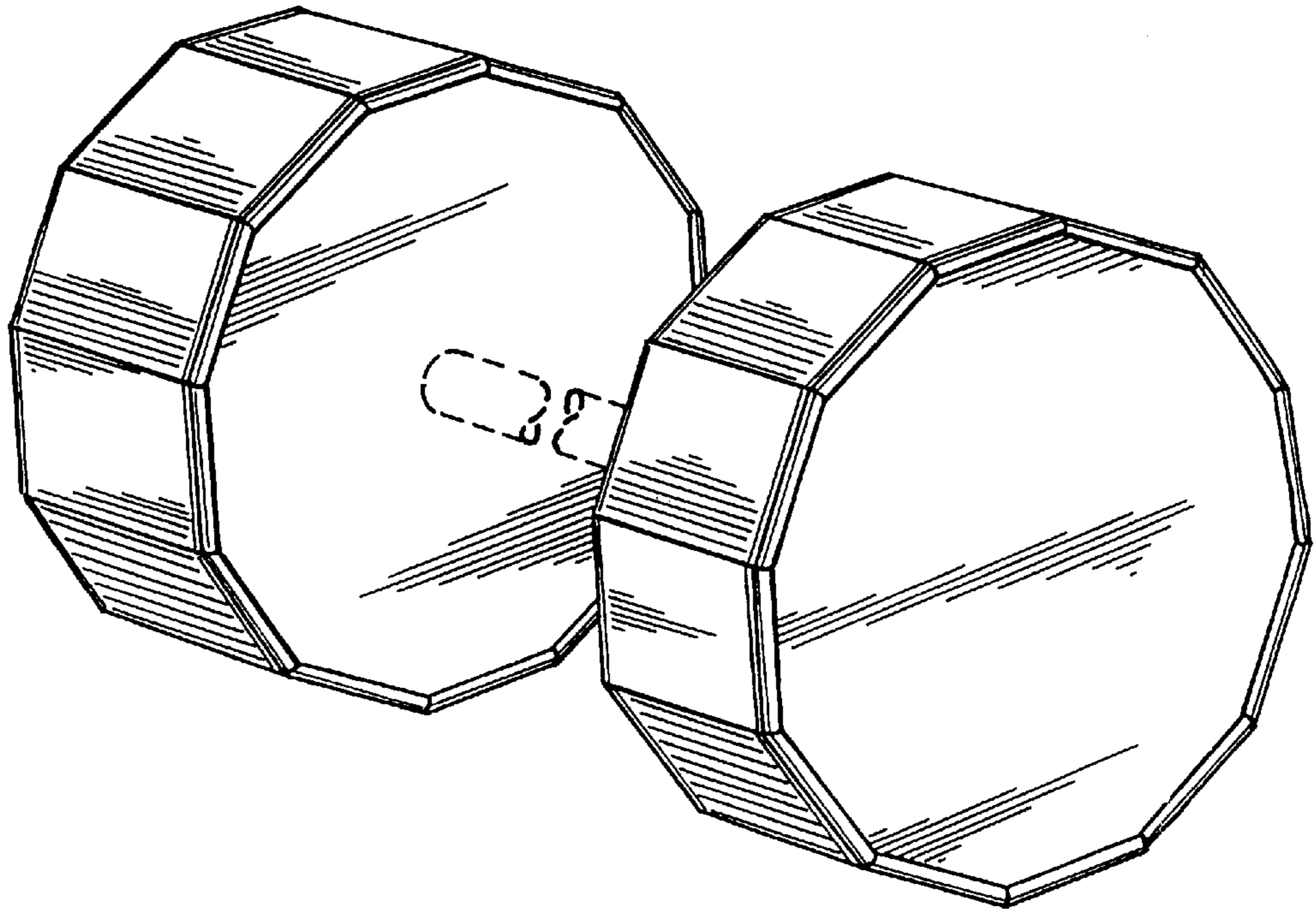
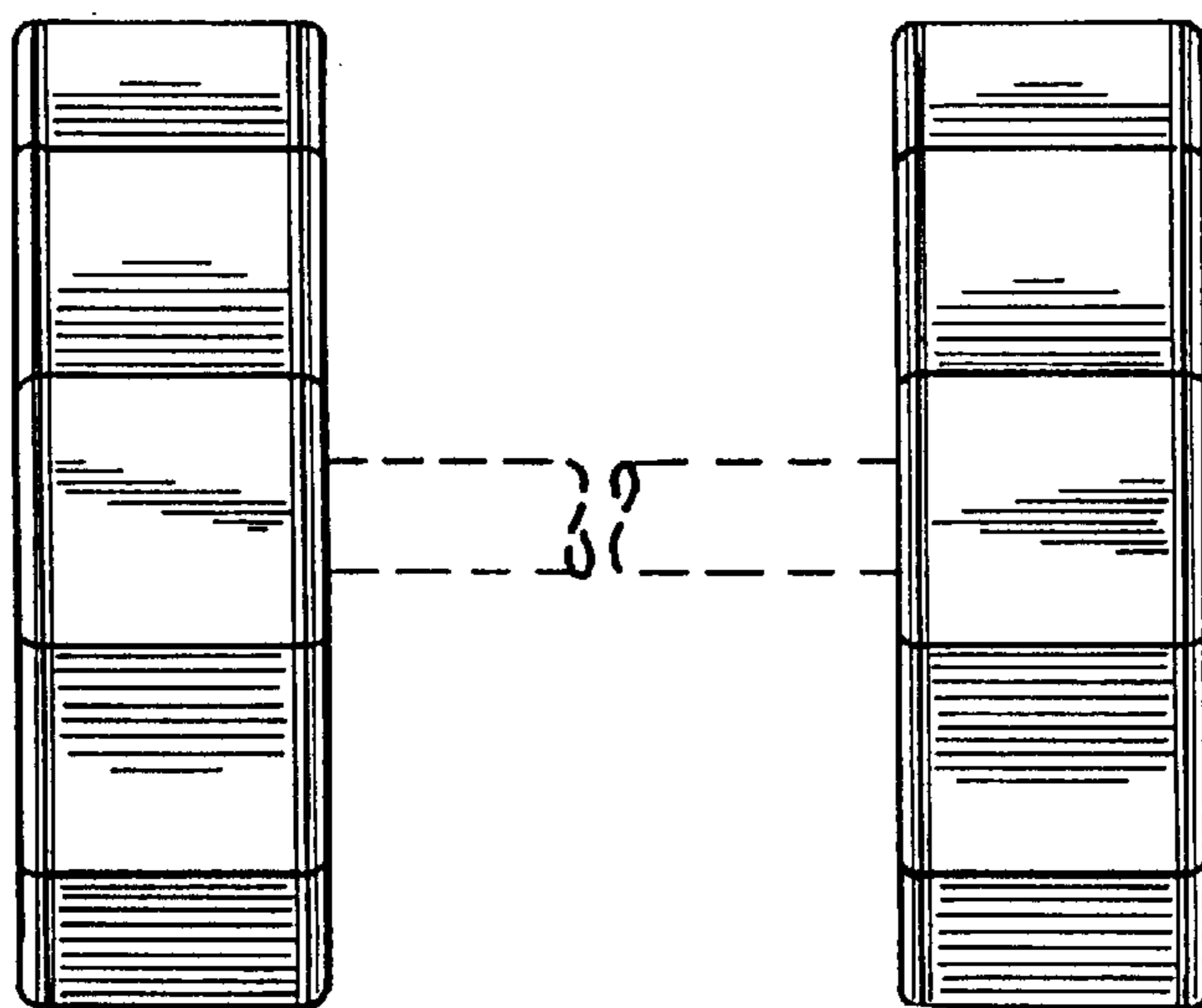


FIG. 2



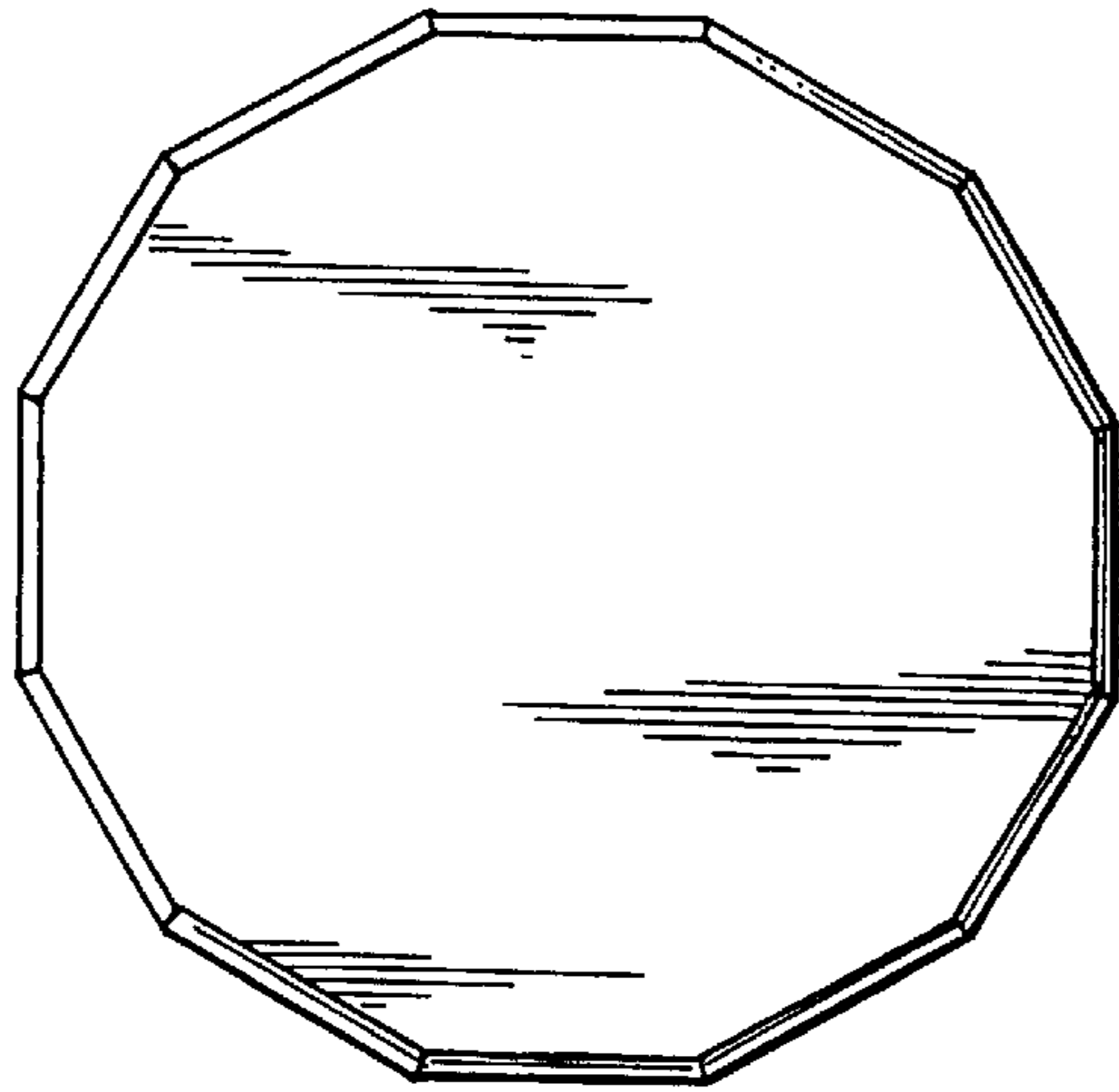


FIG. 3

FIG. 4

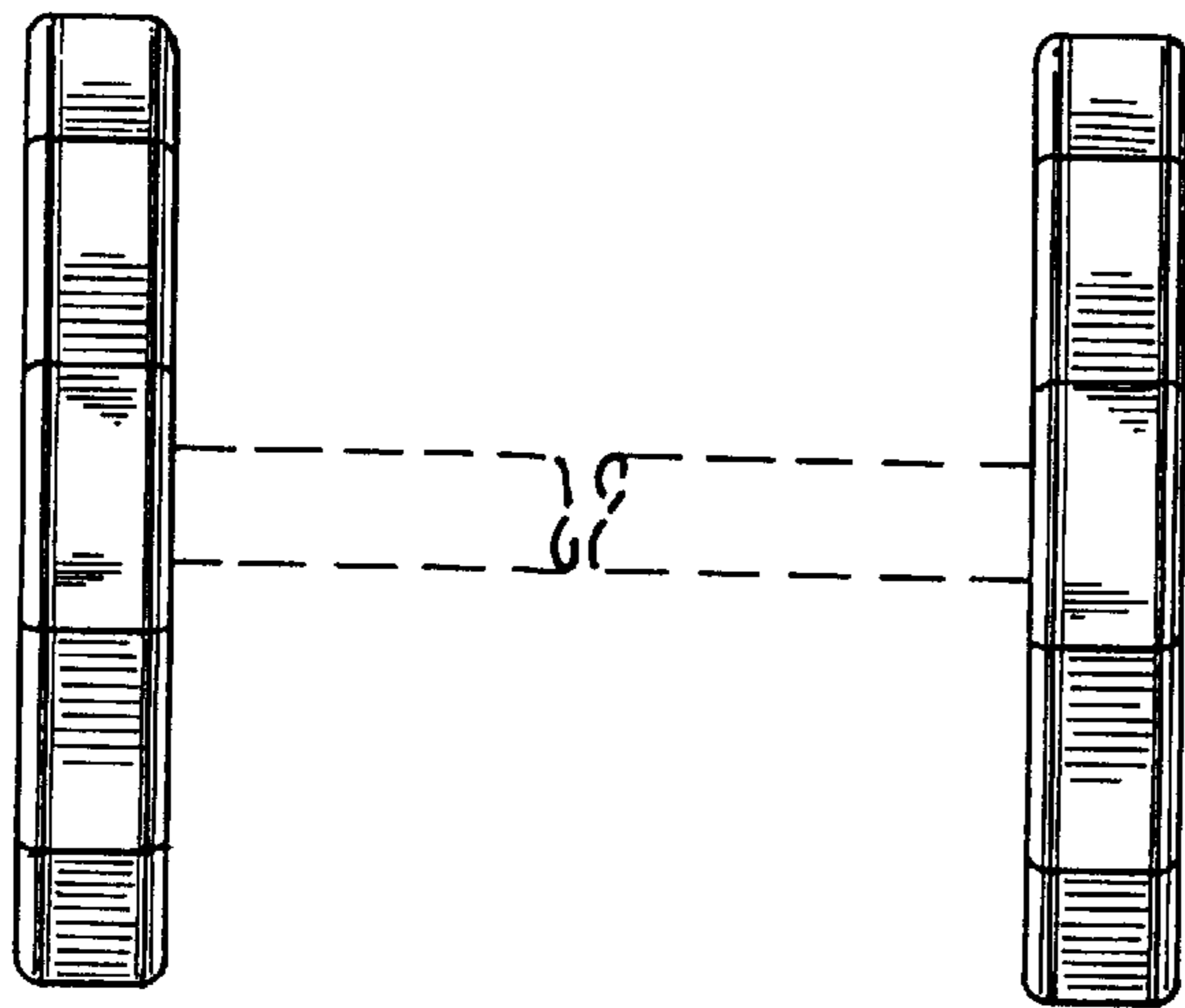
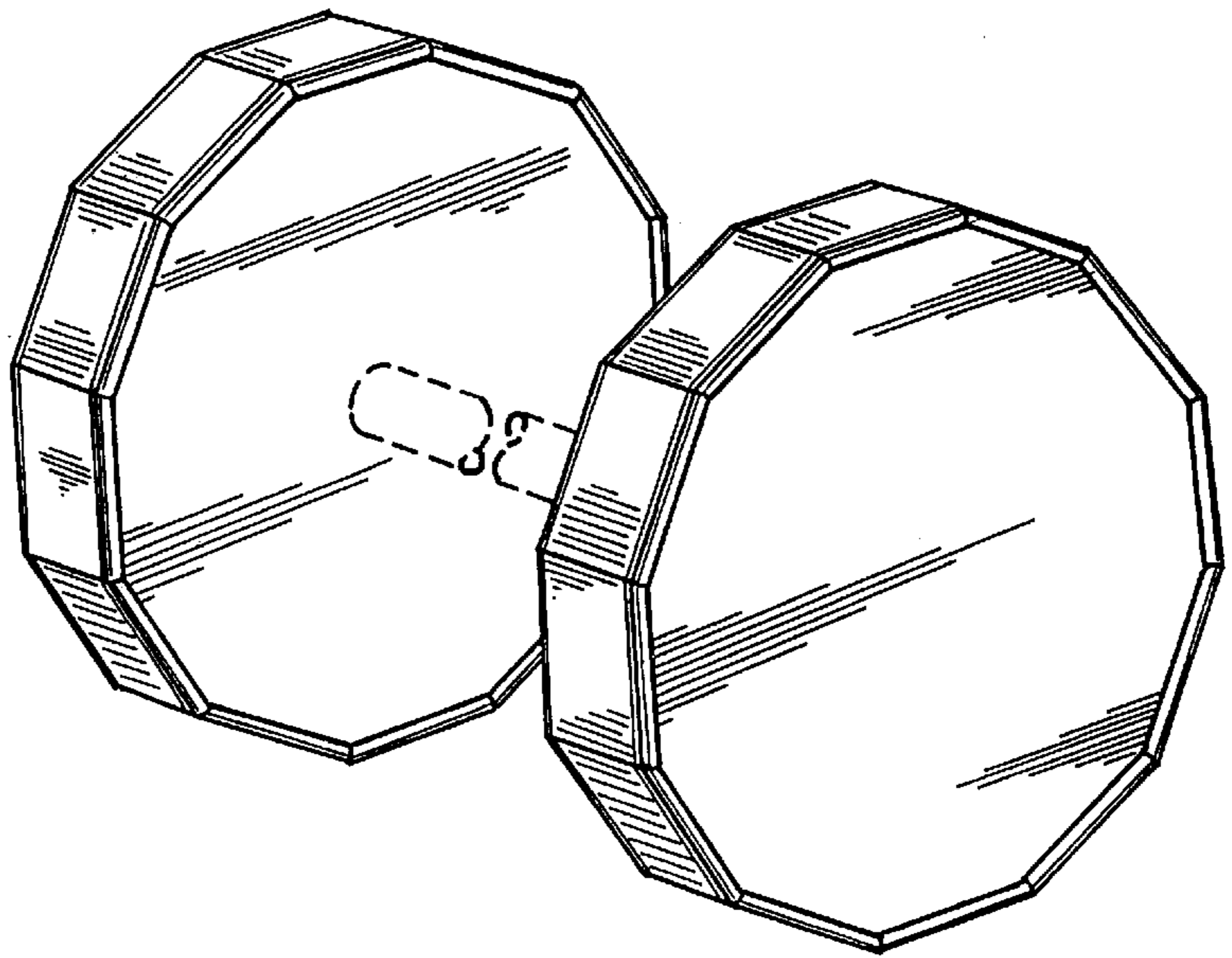


FIG. 5



FIG. 6

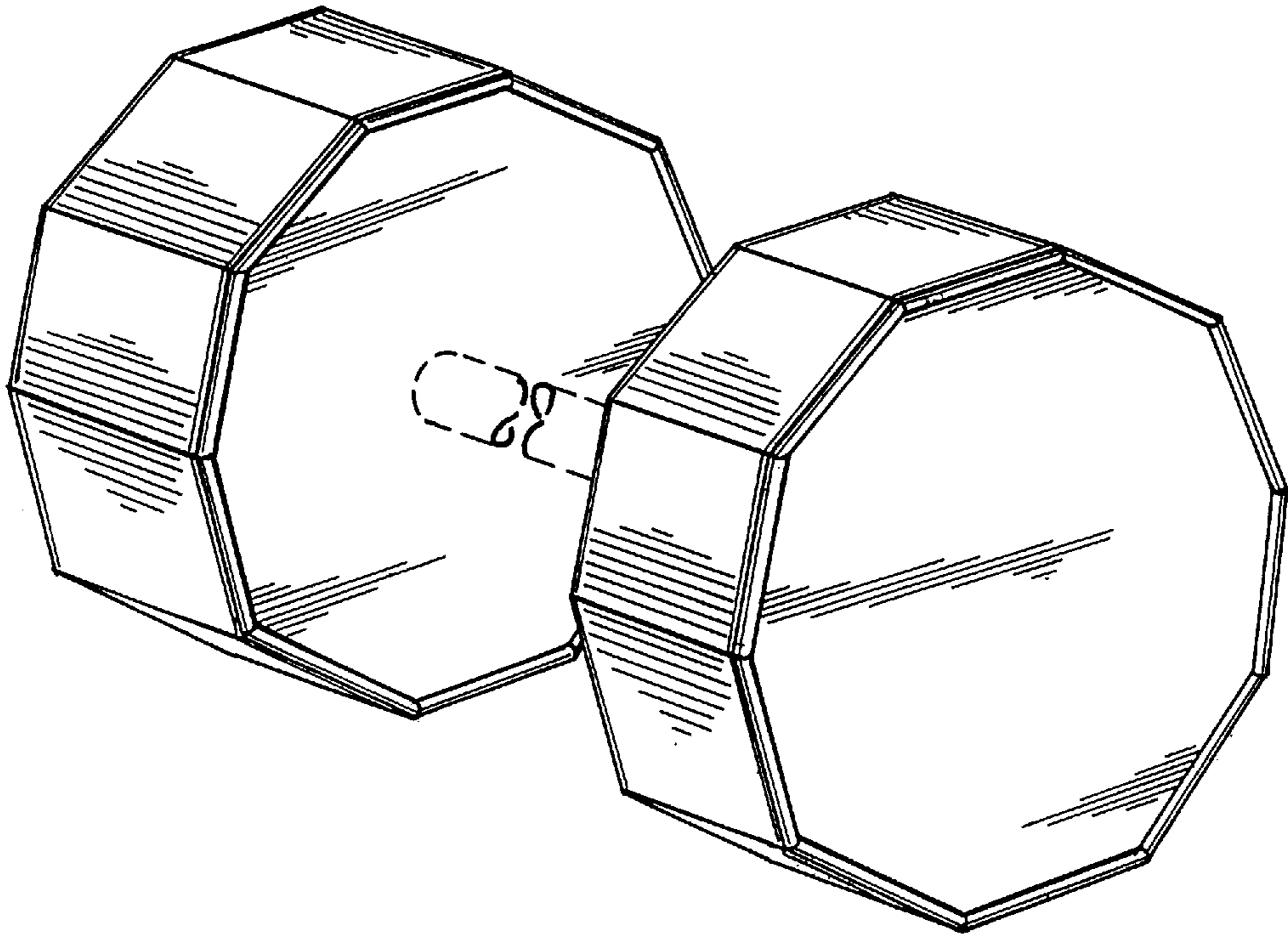
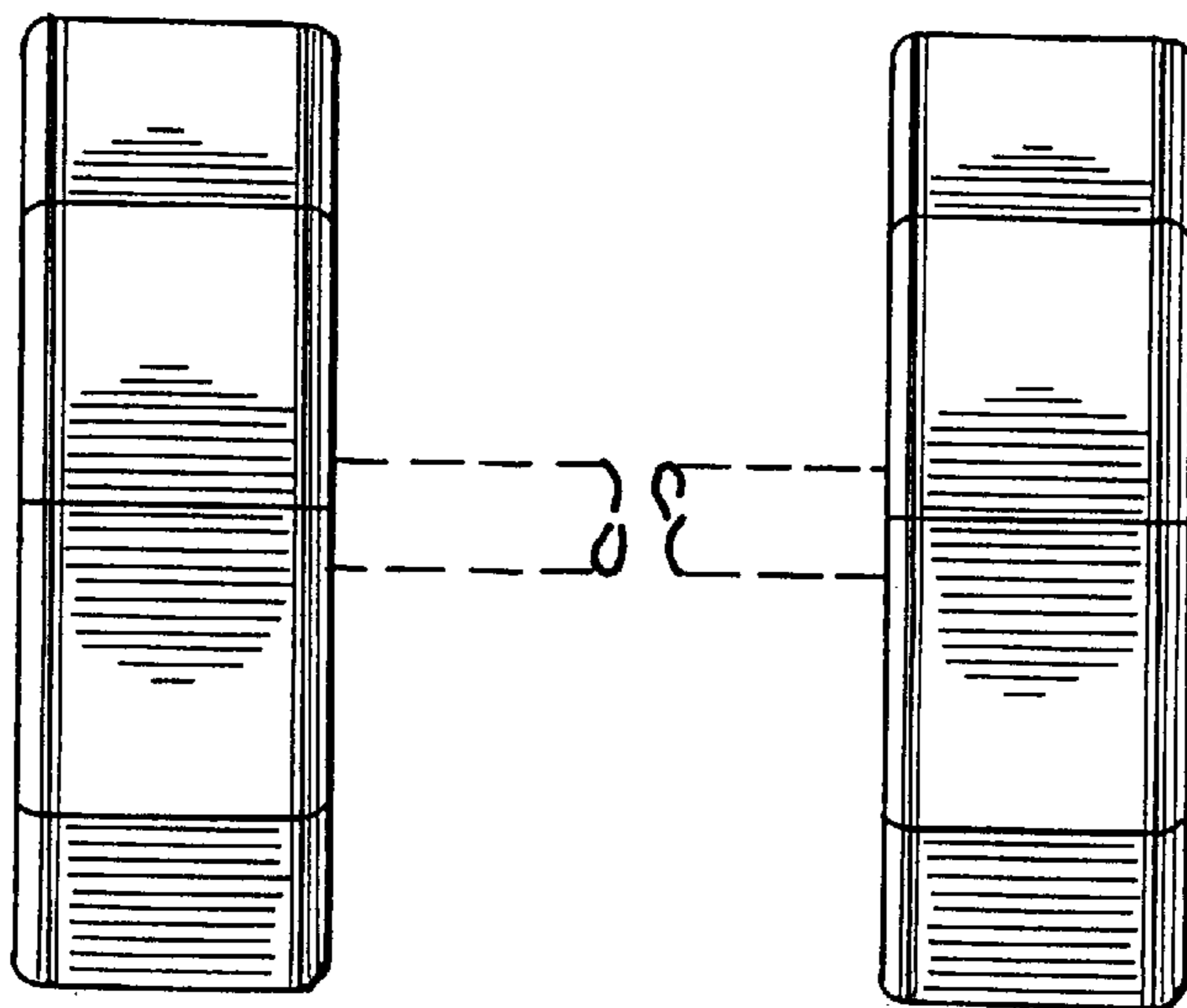


FIG. 7



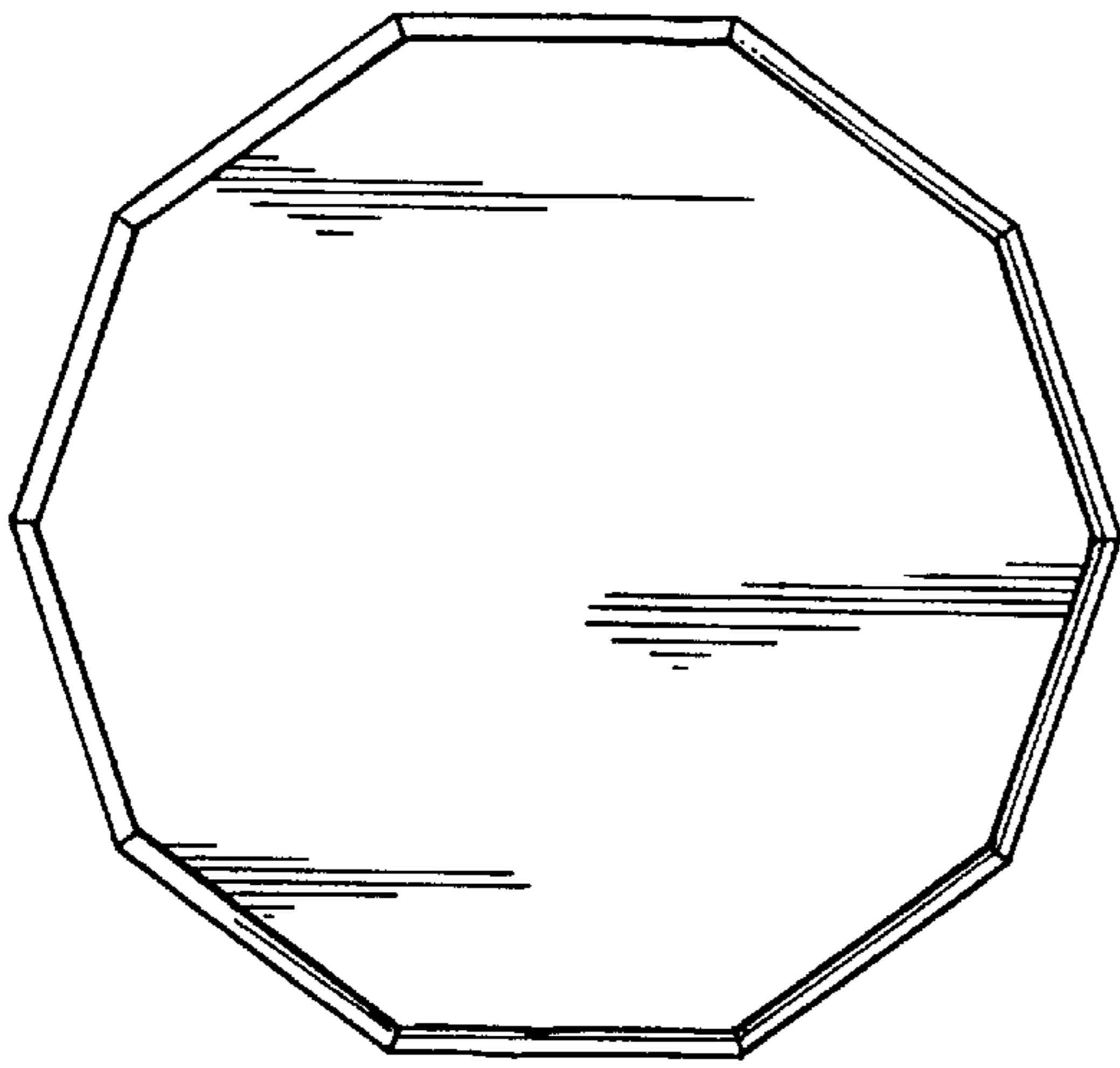


FIG. 8

FIG. 9

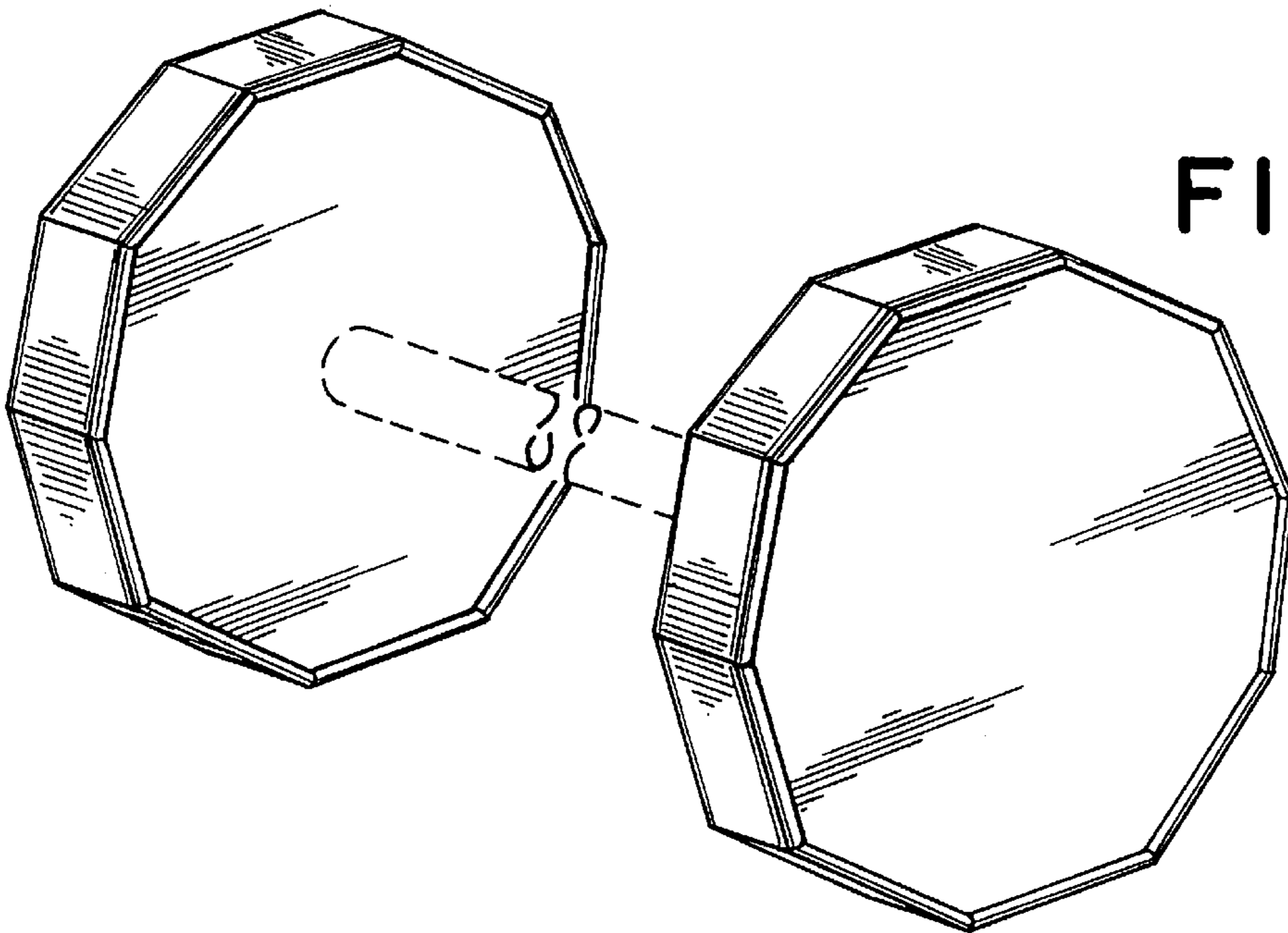
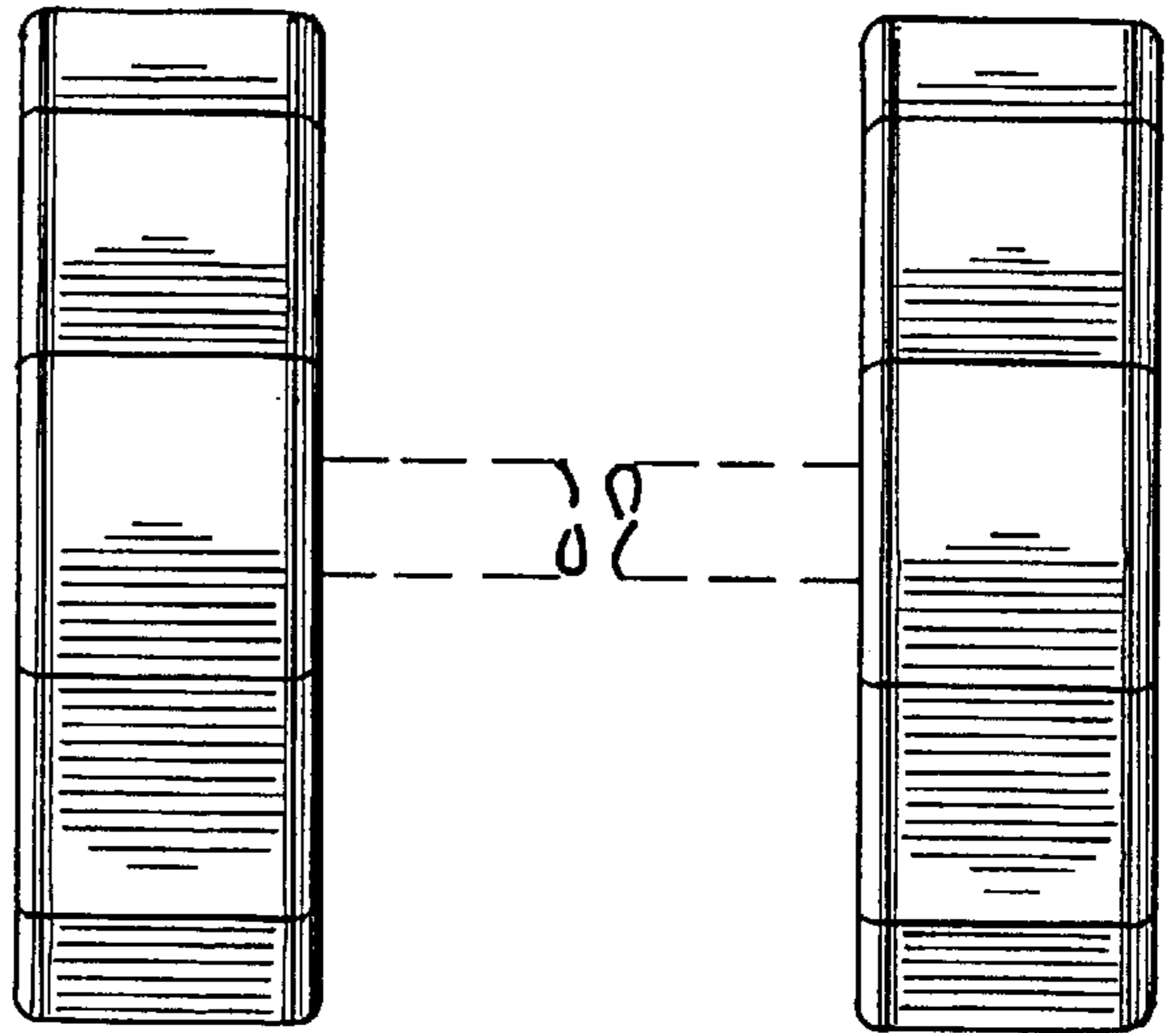


FIG. 10

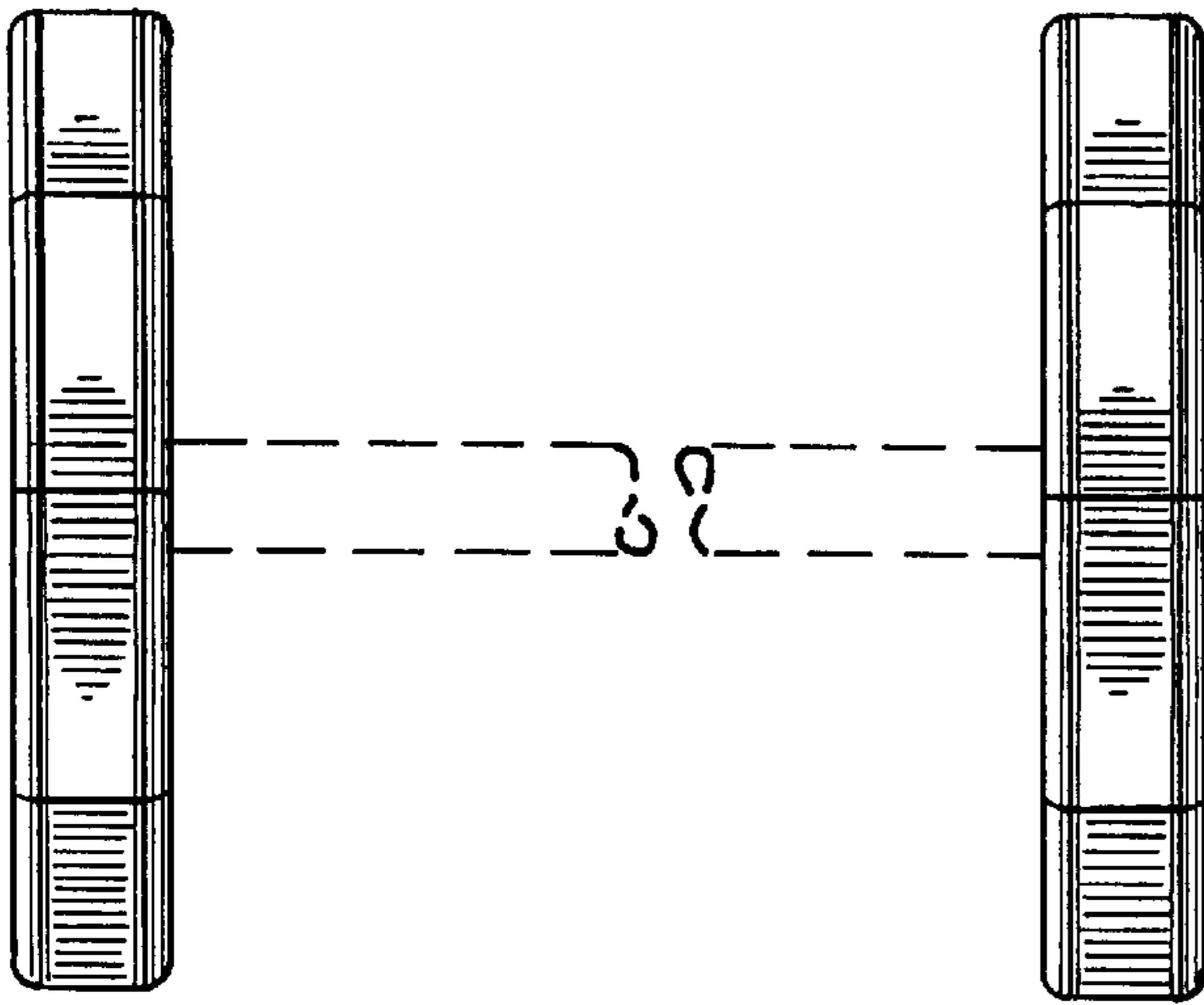


FIG. 11

FIG. 12

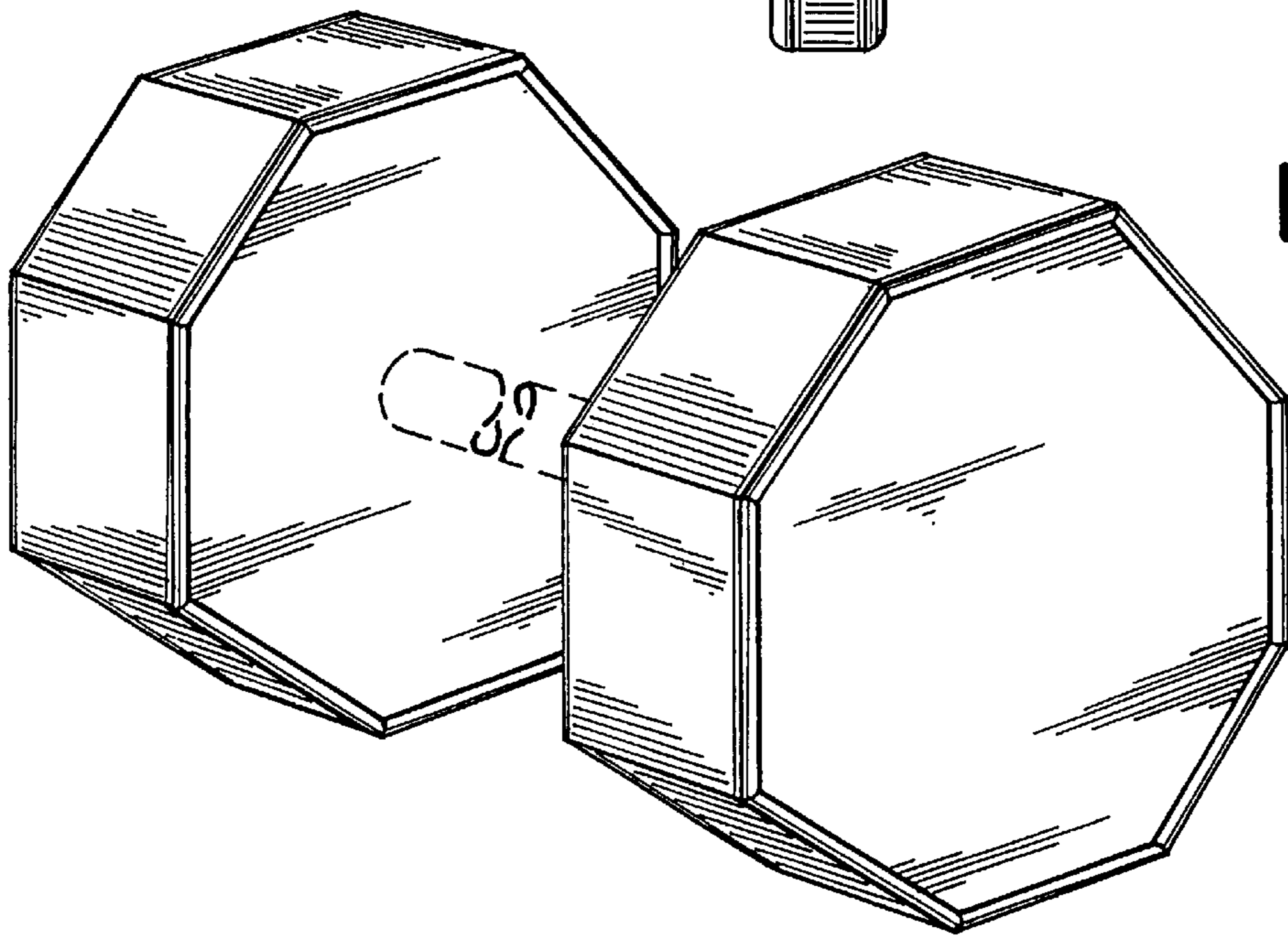
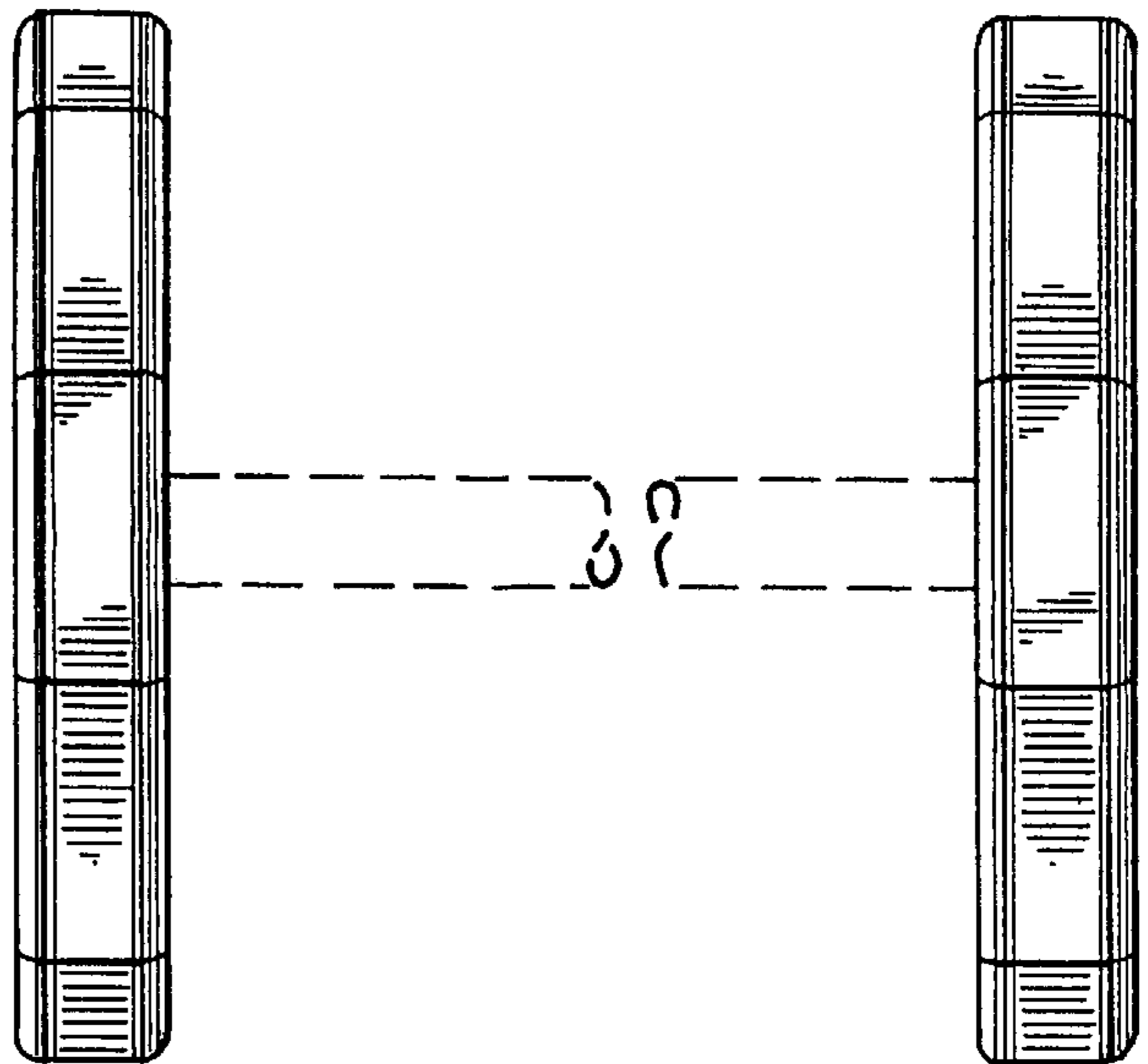


FIG. 13

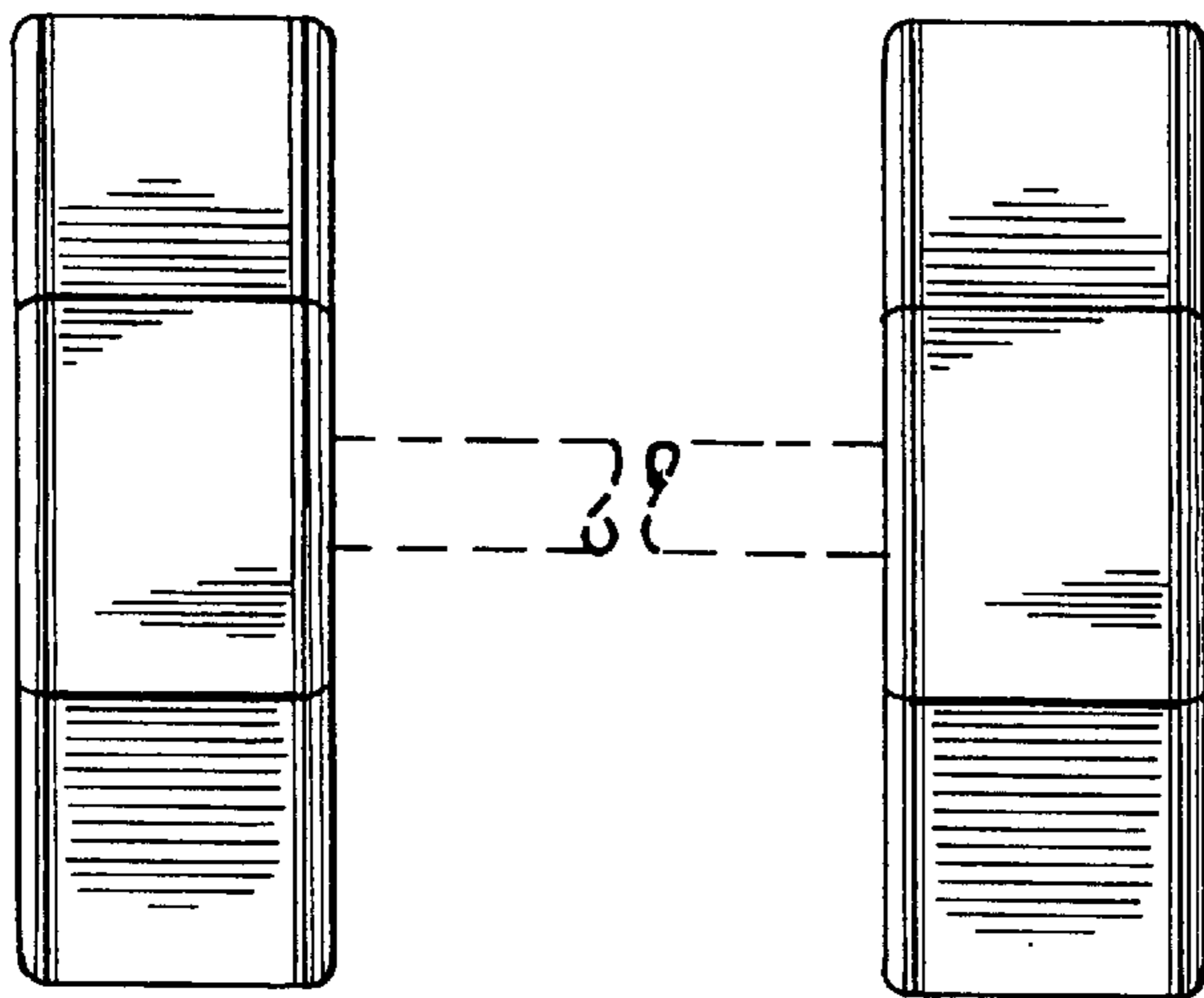


FIG. 14

FIG. 15

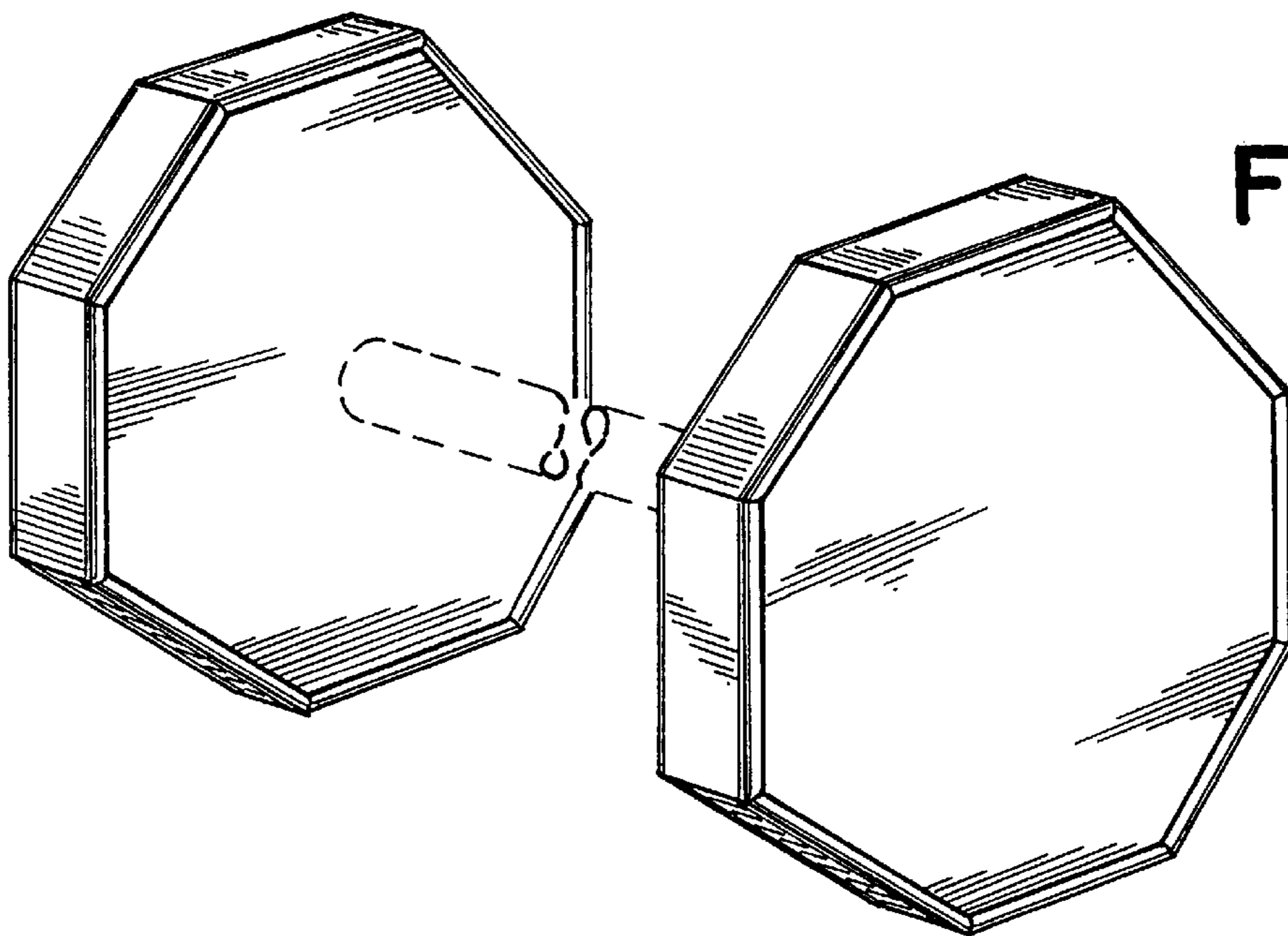
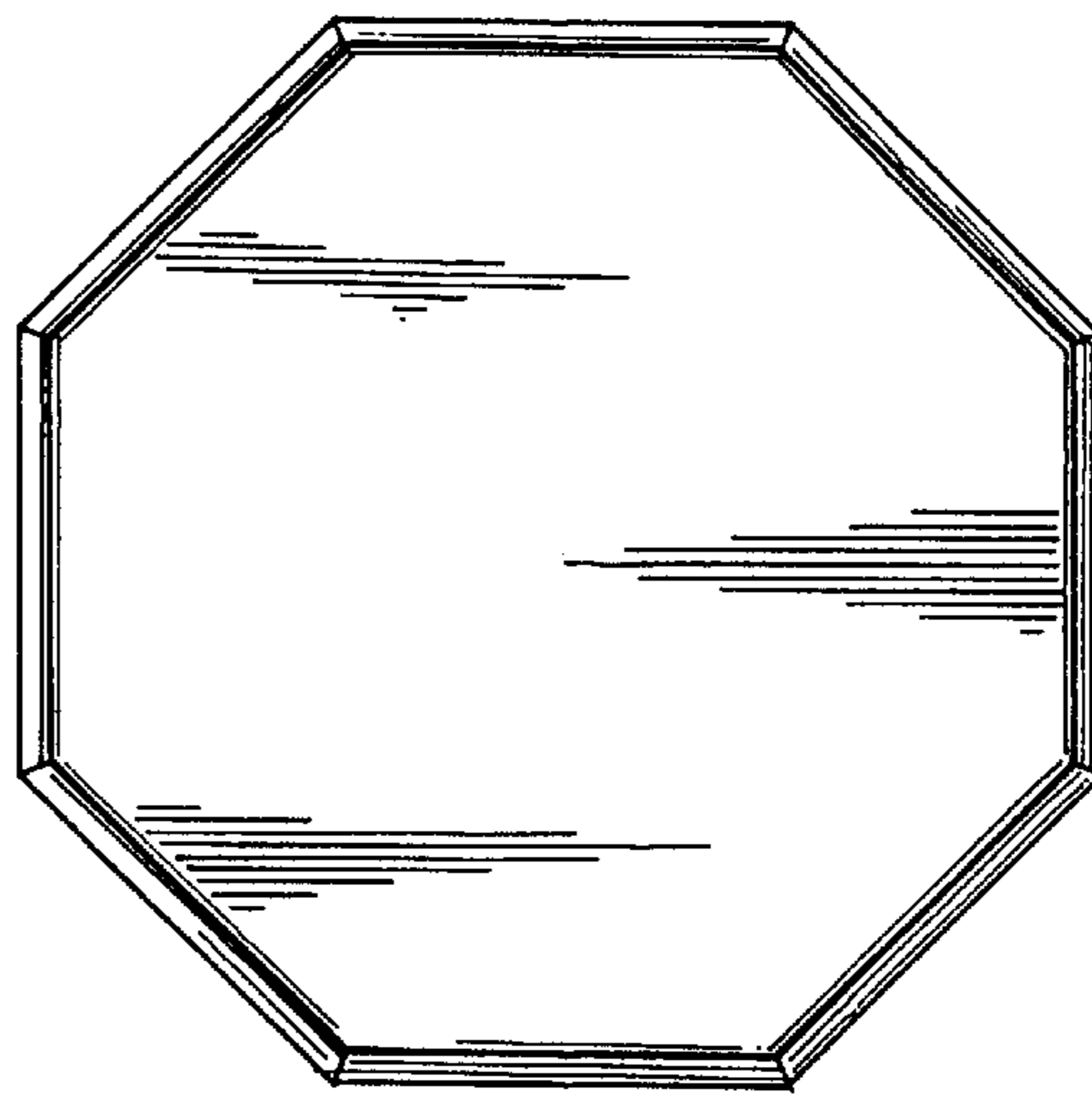


FIG. 16

FIG. 17

