



US00D409262S

United States Patent [19] Stephenson

[11] **Patent Number: Des. 409,262**

[45] **Date of Patent: ** May 4, 1999**

[54] **VEHICLE AND A TOY VEHICLE**

[75] **Inventor: Frank Stephenson, Leamington Spa, United Kingdom**

[73] **Assignee: Rover Group Limited, Warwick, United Kingdom**

[**] **Term: 14 Years**

[21] **Appl. No.: 29/084,496**

[22] **Filed: Mar. 4, 1998**

[30] **Foreign Application Priority Data**

Sep. 4, 1997 [GB] United Kingdom 2068817
Sep. 4, 1997 [GB] United Kingdom 2068818

[51] **LOC (6) Cl. 21-01**

[52] **U.S. Cl. D21/548; D12/91**

[58] **Field of Search** D21/68-81, 128, D21/131, 134, 136, 137, 140; D12/1, 3, 16, 85, 87, 90-92, 107, 108; 280/87.01, 87.021, 1.13; 296/185; 446/465, 470, 454, 456

[56] **References Cited**

U.S. PATENT DOCUMENTS

D. 167,906 10/1952 Muller D21/136

D. 298,521 11/1988 Ui et al. D12/91
D. 311,709 10/1990 Fujimura et al. D12/91
D. 331,894 12/1992 Hunter D12/91
D. 341,107 11/1993 Okura et al. D12/91
D. 376,563 12/1996 Sacco et al. D12/91
D. 391,898 3/1998 Yoshikawa et al. D12/91

Primary Examiner—Raphael Barkai
Attorney, Agent, or Firm—Davis and Bujold

[57] **CLAIM**

The ornamental design for a vehicle and a toy vehicle, as shown.

DESCRIPTION

FIG. 1 is a left hand side view of a vehicle and a toy vehicle showing my new design;

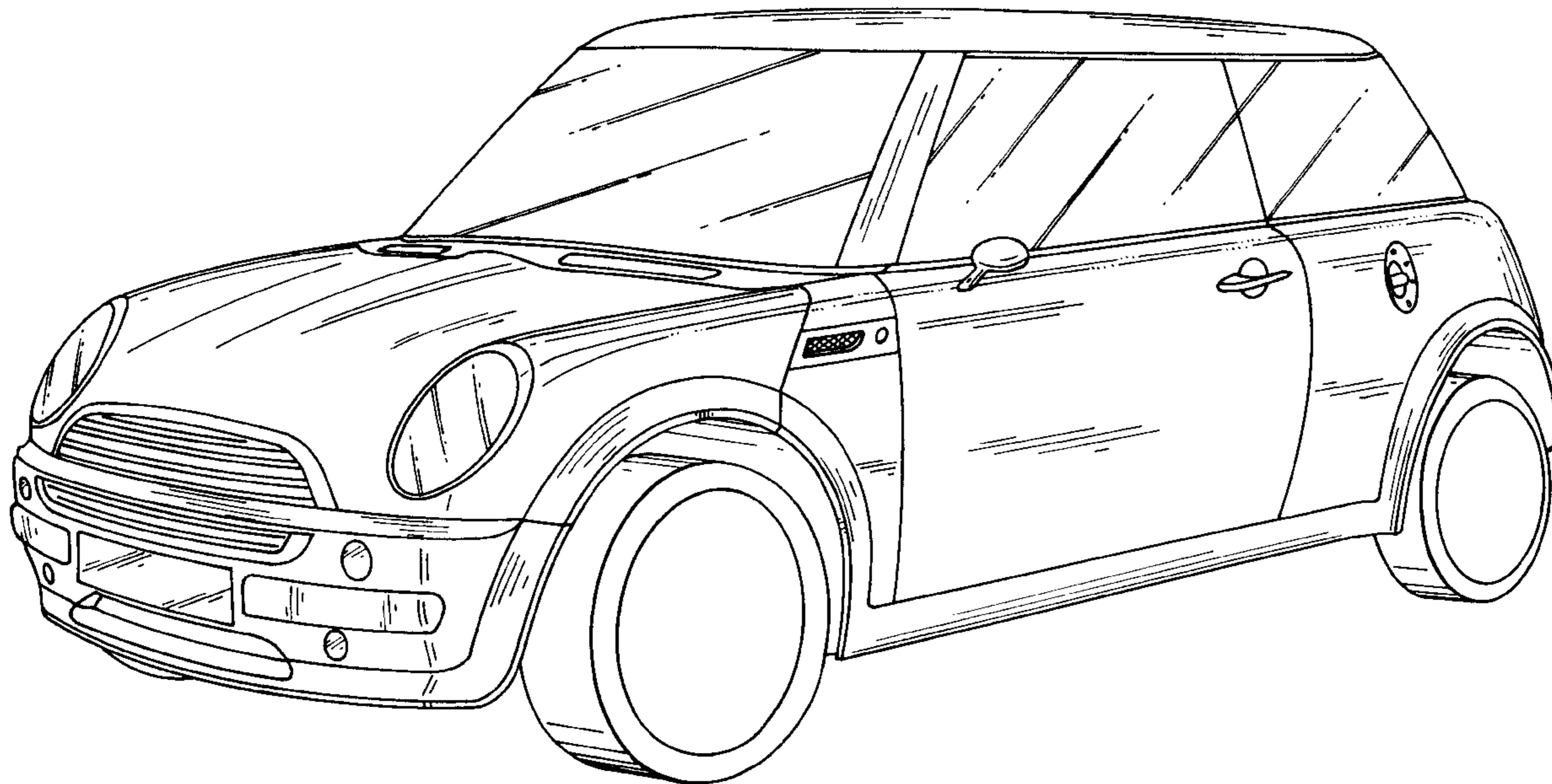
FIG. 2 is a front view thereof,

FIG. 3 is a rear view thereof,

FIG. 4 is a front left hand perspective view thereof; and,

FIG. 5 is a right hand perspective view thereof.

1 Claim, 4 Drawing Sheets



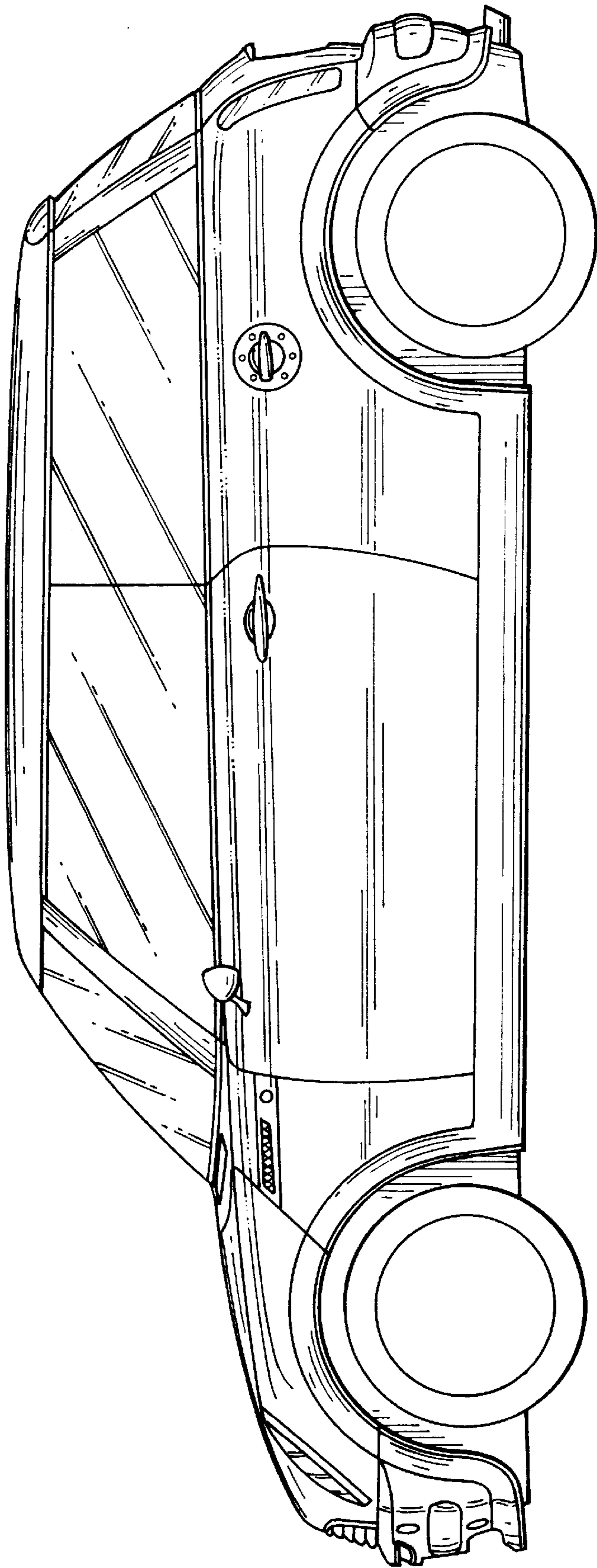


Fig. 1

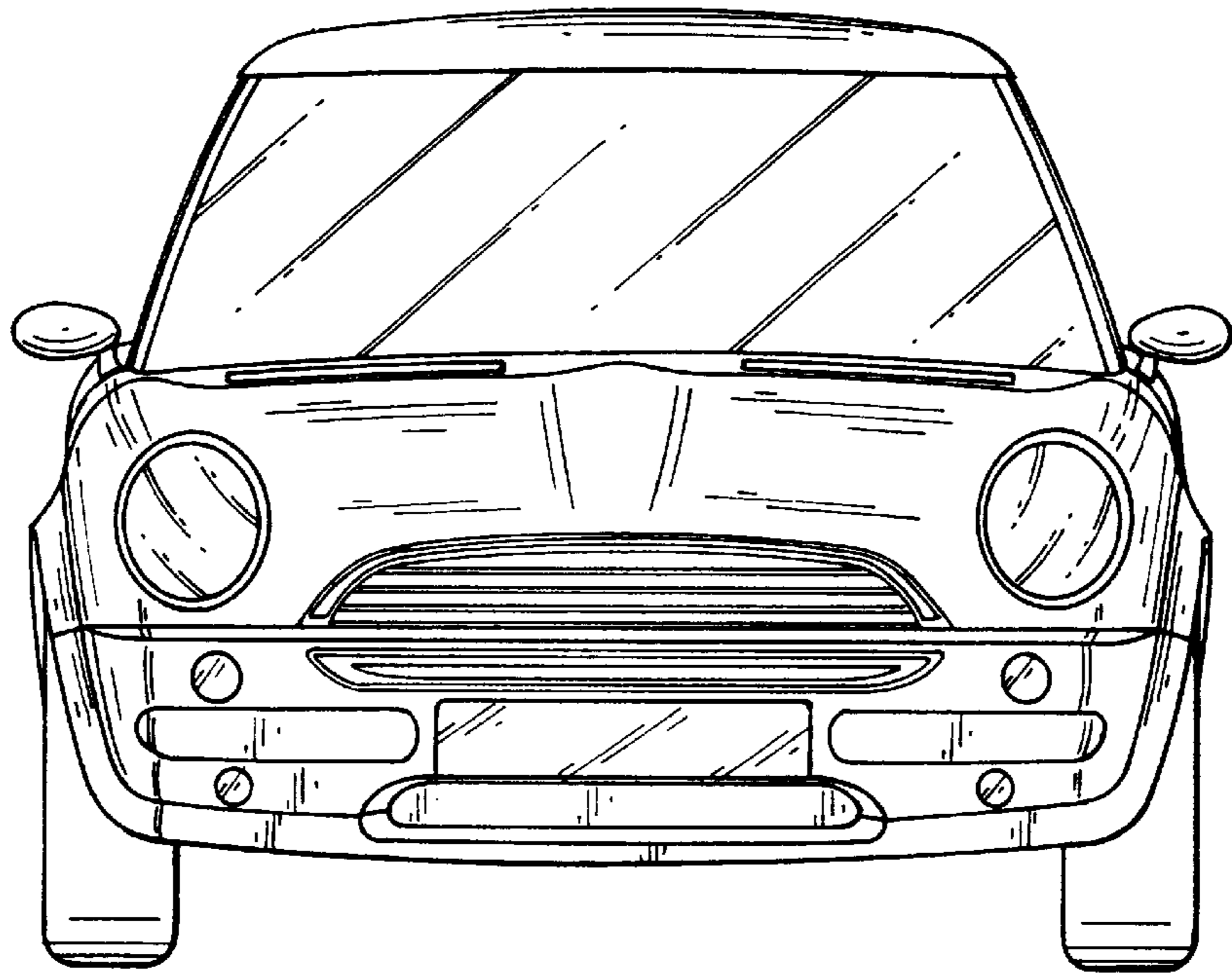


Fig. 2

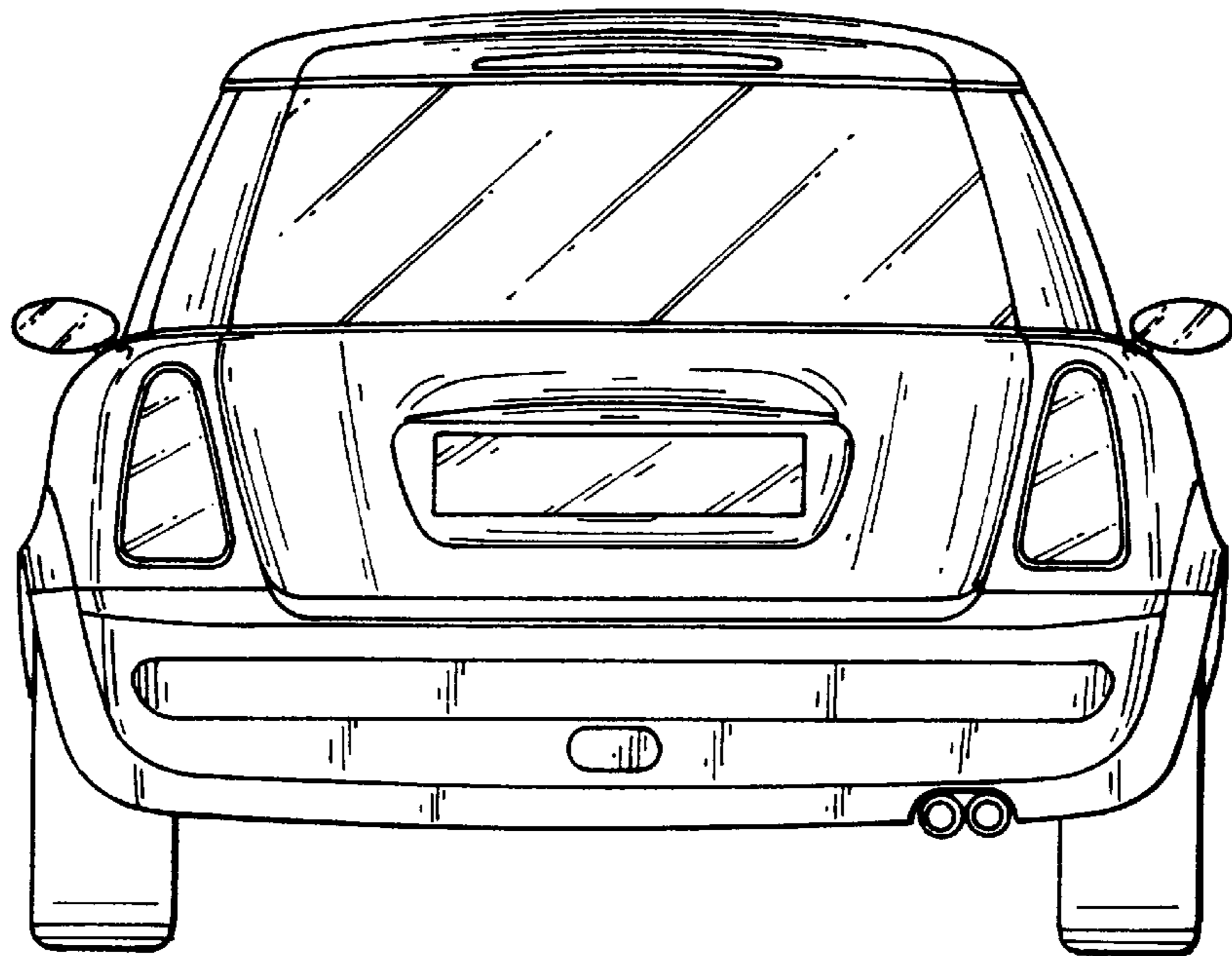


Fig. 3

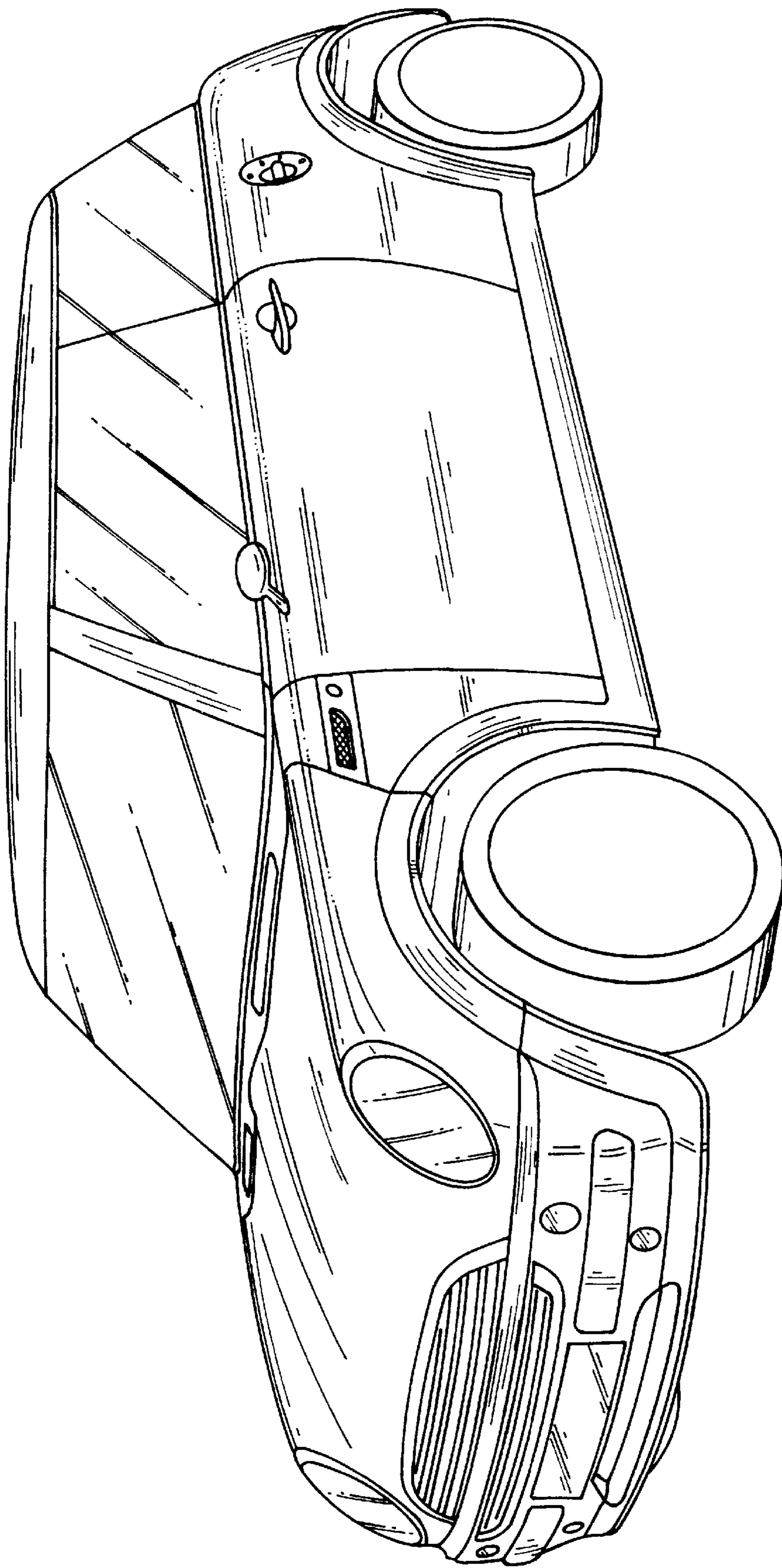


Fig. 4

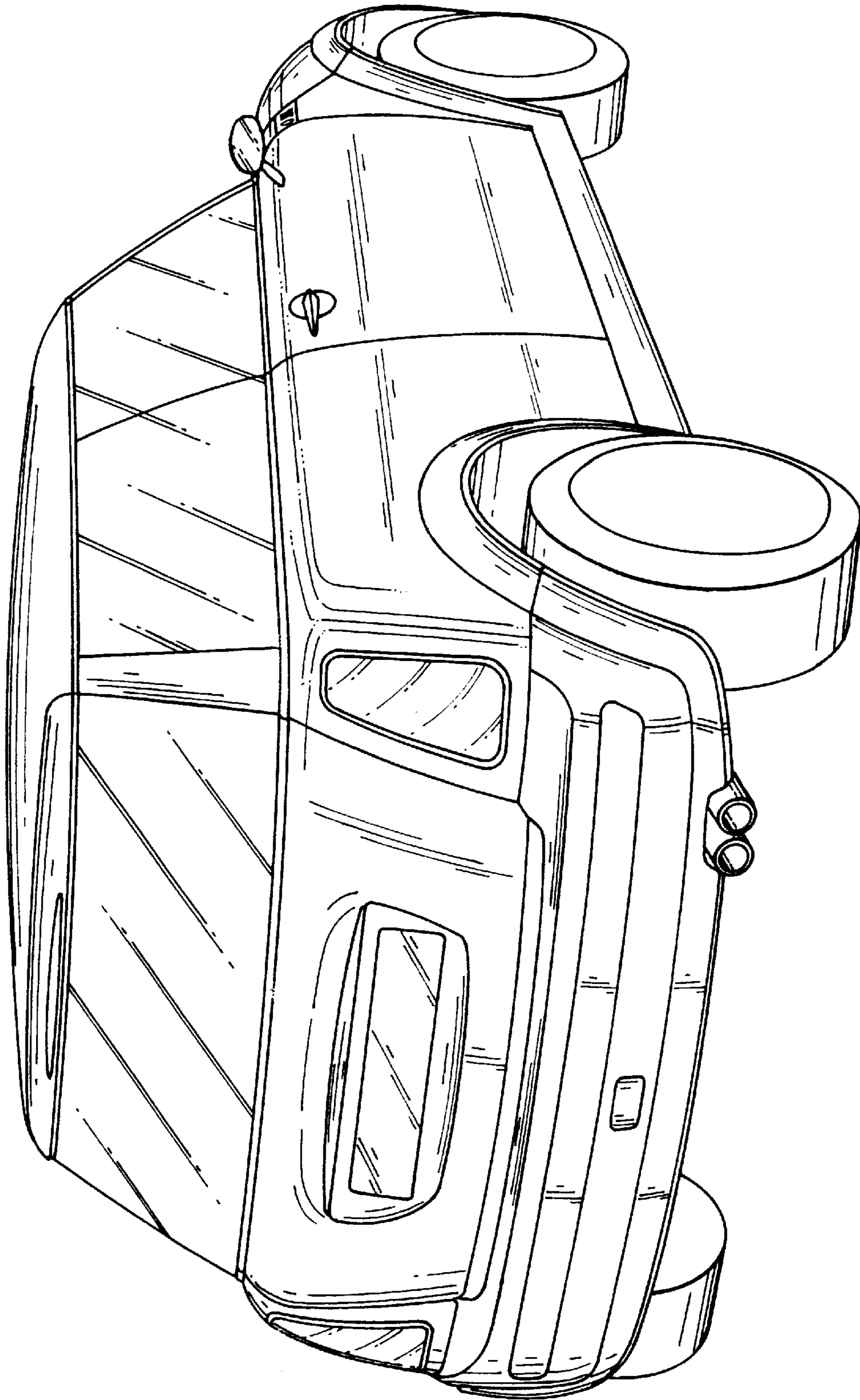


Fig. 5