



US00D409261S

United States Patent [19]
Kelley

[11] **Patent Number: Des. 409,261**
[45] **Date of Patent: ** May 4, 1999**

[54] **PLAYHOUSE**

[75] Inventor: **Miriam Kelley**, Buffalo, N.Y.

[73] Assignee: **Fisher Price, Inc**, East Aurora, N.Y.

[**] Term: **14 Years**

[21] Appl. No.: **29/069,795**

[22] Filed: **Apr. 17, 1997**

Related U.S. Application Data

[63] Continuation of application No. 29/050,051, Feb. 7, 1996, abandoned.

[51] **LOC (6) Cl.** **21-01**

[52] **U.S. Cl.** **D21/511; D21/506**

[58] **Field of Search** D21/114-119,
D21/240, 108, 242; D25/16, 17; 446/70,
110, 476, 478, 479, 481, 482, 488

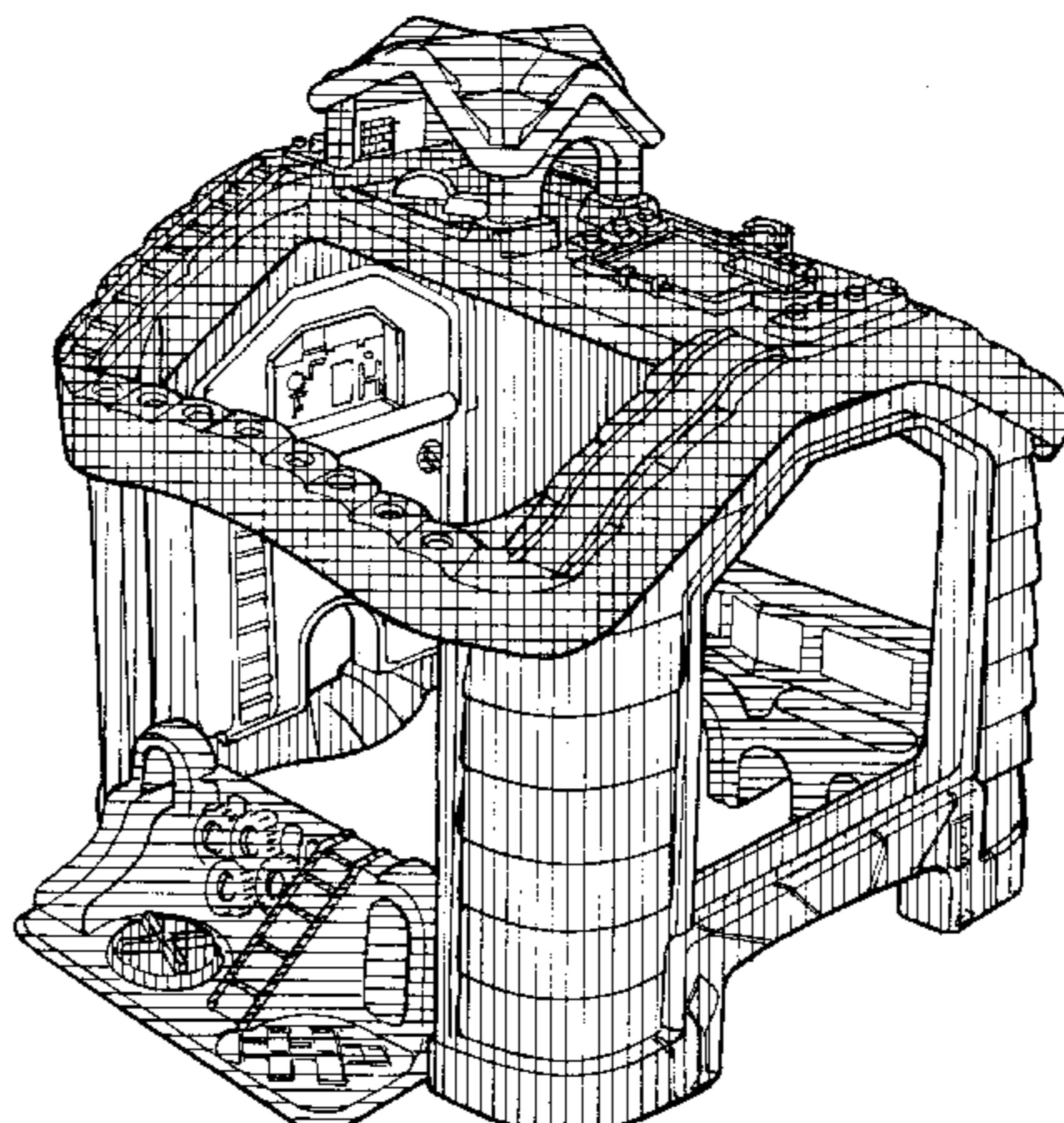
[56] **References Cited**

U.S. PATENT DOCUMENTS

| | | | |
|------------|---------|----------------------|---------|
| D. 277,202 | 1/1985 | Appel et al. | D21/114 |
| D. 277,702 | 2/1985 | Appel et al. . | |
| D. 282,674 | 2/1986 | Marschak | D21/114 |
| D. 310,396 | 9/1990 | McElhaney | D21/114 |
| D. 317,956 | 7/1991 | Klitsner | D21/114 |
| D. 326,689 | 6/1992 | Farinelli, Jr. . | |
| D. 333,328 | 2/1993 | Aker et al. . | |
| D. 340,098 | 10/1993 | Petersheim . | |
| D. 340,099 | 10/1993 | Warren et al. . | |
| D. 340,956 | 11/1993 | Temple | 446/476 |
| D. 344,121 | 2/1994 | Warren . | |
| D. 344,770 | 3/1994 | Swiderski . | |
| D. 348,988 | 7/1994 | Bro et al. . | |
| D. 358,620 | 5/1995 | Hill et al. | D21/114 |
| D. 374,901 | 10/1996 | Cacciola et al. | D21/240 |
| D. 381,706 | 7/1997 | Norton | D21/114 |
| 1,241,594 | 10/1917 | Williams . | |
| 1,343,065 | 6/1920 | Suyehiro . | |
| 4,021,960 | 5/1977 | Walmer . | |

OTHER PUBLICATIONS

- Little Tikes, Toys That Last, 1994, "Evergreen® Playhouse", p. 57.
- Little Tykes, Toys That Last, 1994 "Super Storage Easel", p. 25.
- Little Tykes, Toys That Last, 1994, "Log Cabin", p. 56.
- Little Tykes, Toys That Last, 1994, "Country Cottage", p. 59.
- Little Tykes, Toys That Last, 1994, "Big Dollhouse", p. 34.
- Little Tykes, Toys That Last, 1994, "Storybook Cottage, Twin Bed", p. 71.
- Little Tykes, Toys That Last, 1994, "Cozy Cottage, Toddler Bed", p. 71.
- Little Tykes, Toys That Last, 1994, "Little Tikes® Place", p. 31.
- Little Tykes, Toys That Last, 1994, "Little Tikes® Place Stable", p. 30.
- Little Tykes, Toys That Last, 1994, "Grandma's House", p. 30.
- Little Tykes, Toys That Last, 1994, "Toddle Tots® Community Playground," p. 11.
- Little Tykes, Toys That Last, 1994, "Toddle Tots® Petting Farm & Zoo", p. 12.
- Little Tykes, Toys That Last, 1994, "Toddle Tots® Dinosaur Mountain", p. 13.
- Little Tykes, Toys That Last, 1995, "Giant Action Figure Castle", p. 28.
- Little Tykes, Toys That Last, 1995, "Grand Mansion", p. 47.
- Little Tykes, Toys That Last, 1995, "Activity Garden", p. 8.
- Little Tykes, Toys That Last, 1995, "Pirate Ship Climber", p. 55.
- Little Tykes, 1995, "Tike Activity Barnyard".
- Today's Kids, Wish Book, 1994, "Play'n Fold™ Clubhouse", p. 6.
- Today's Kids, Wishbook 1994, "Infant-Toddler Playland", p. 4.
- Today's Kids, 1994, "Toddler Playground", p. 9.
- Flexible Flyer Company, "Cozy Condo™ Playhouse".
- Step 2, A Step Beyond, 1994, "Drive-In Playhouse", p. 22.
- TYCO Playtime, 1995, "Color'n Carry", p. 55.
- TYCO Playtime, 1995, "Creative Art Center", p. 56.
- Playskool Toy Fair, 1991, "Flat Folks™ House".
- Playskool Toy Fair, 1991, "Flat Folks™ City".
- Playskool Toy Fair, 1991, "Flat Folks™ Farm".
- Fisher-Price Toy Fair, 1996, "Dream Doll House™".



Primary Examiner—Raphael Barkai
Attorney, Agent, or Firm—Morgan, Lewis & Bockius LLP;
C Scott Talbot; Howard R. Richman

[57]

CLAIM

The ornamental design for a playhouse, as shown and described.

DESCRIPTION

FIG. 1 is a right side rear perspective view of a playhouse showing my new design;
FIG. 2 is a left side front perspective view thereof;
FIG. 3 is a top plan view thereof;
FIG. 4 is a front elevational view thereof;
FIG. 5 is a rear elevational view thereof;
FIG. 6 is a right side elevational view thereof;
FIG. 7 is a left side elevational view thereof; and
FIG. 8 is a partial right side elevational view thereof from a higher elevation than that shown in FIG. 6;
FIG. 9 is a partial front perspective view of the right side panel of the playhouse of FIG. 1.
FIG. 10 is a partial top plan view of the left side panel of the playhouse of FIG. 1.
FIG. 11 is a left side rear perspective view of the roof of the playhouse of FIG. 1.
FIG. 12 is a bottom plan view of FIG. 11;

FIG. 13 is a front elevational view of FIG. 11;
FIG. 14 is a rear elevational view of FIG. 11;
FIG. 15 is a left side elevational view of FIG. 11;
FIG. 16 is a right side elevational view of FIG. 11;
FIG. 17 is a partial top plan view of FIG. 11, showing the top ridge and cupola in more detail; and
FIG. 18 is a partial right side perspective view of FIG. 11, showing the cupola in more detail.
FIG. 19 is a right side perspective view of the right side panel of the playhouse of FIG. 1.
FIG. 20 is a top plan view of FIG. 19;
FIG. 21 is a bottom plan view of FIG. 19;
FIG. 22 is a front elevational view of FIG. 19;
FIG. 23 is a rear elevational view of FIG. 19;
FIG. 24 is a left side elevational view of FIG. 19; and
FIG. 25 is a right side elevational view of FIG. 19.
FIG. 26 is a right side perspective view of the left side panel of the playhouse of FIG. 1.
FIG. 27 is a top plan view of FIG. 26;
FIG. 28 is a bottom plan view of FIG. 26;
FIG. 29 is a front elevational view of FIG. 26;
FIG. 30 is a rear elevational view of FIG. 26;
FIG. 31 is a left side elevational view of FIG. 26; and,
FIG. 32 is a right side elevational view of FIG. 26.

1 Claim, 20 Drawing Sheets

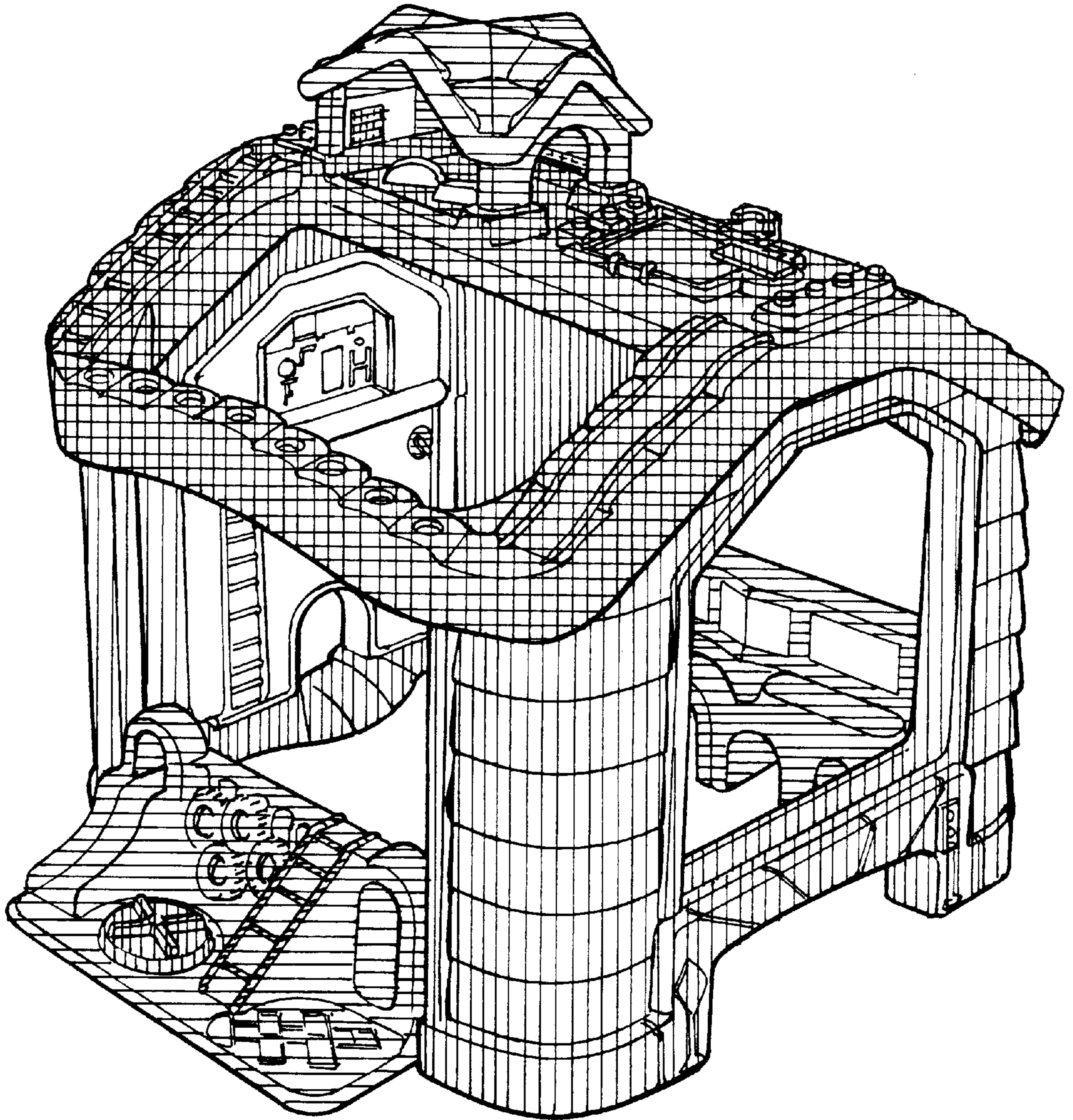


FIG. 1

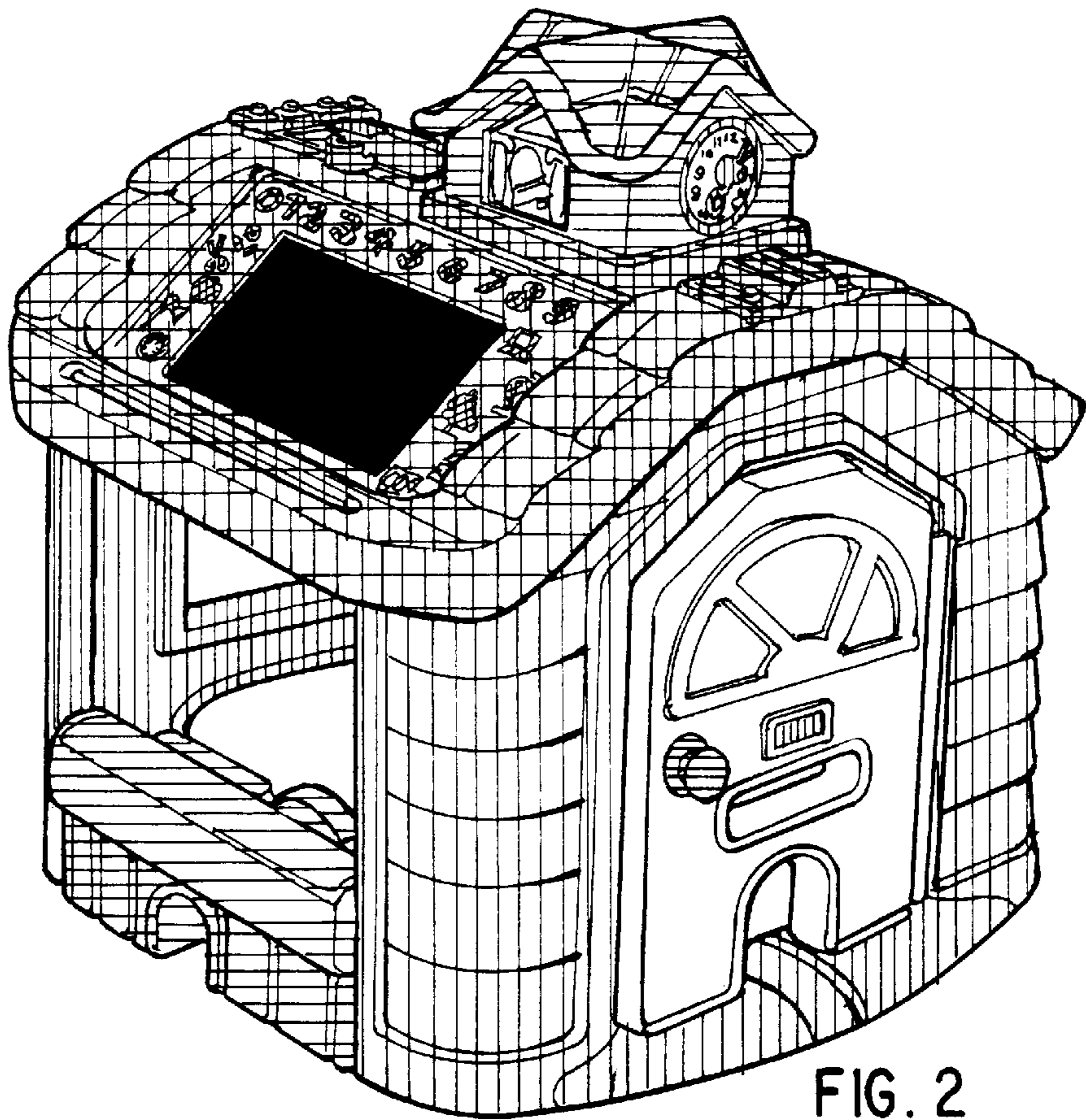


FIG. 2

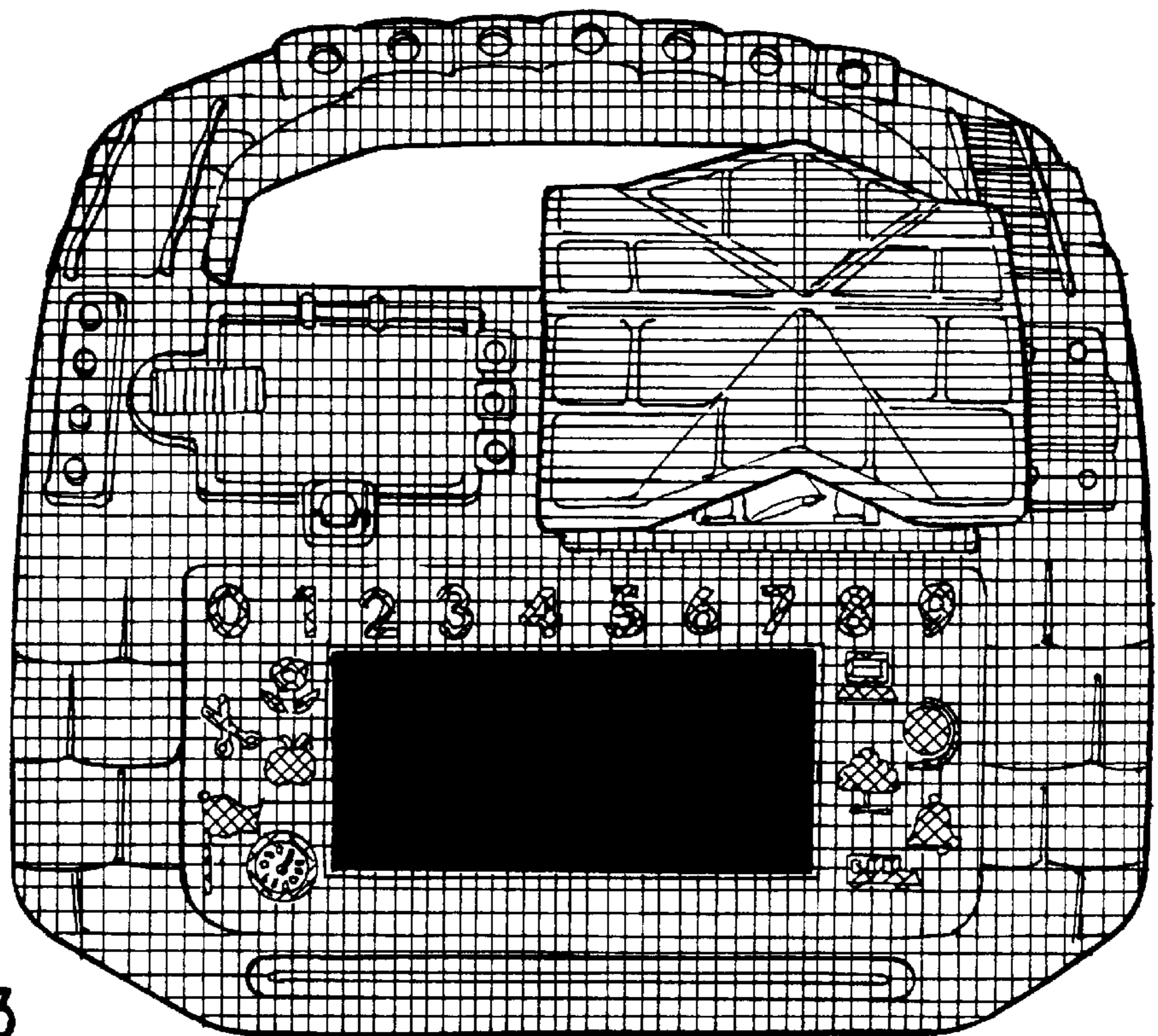


FIG. 3

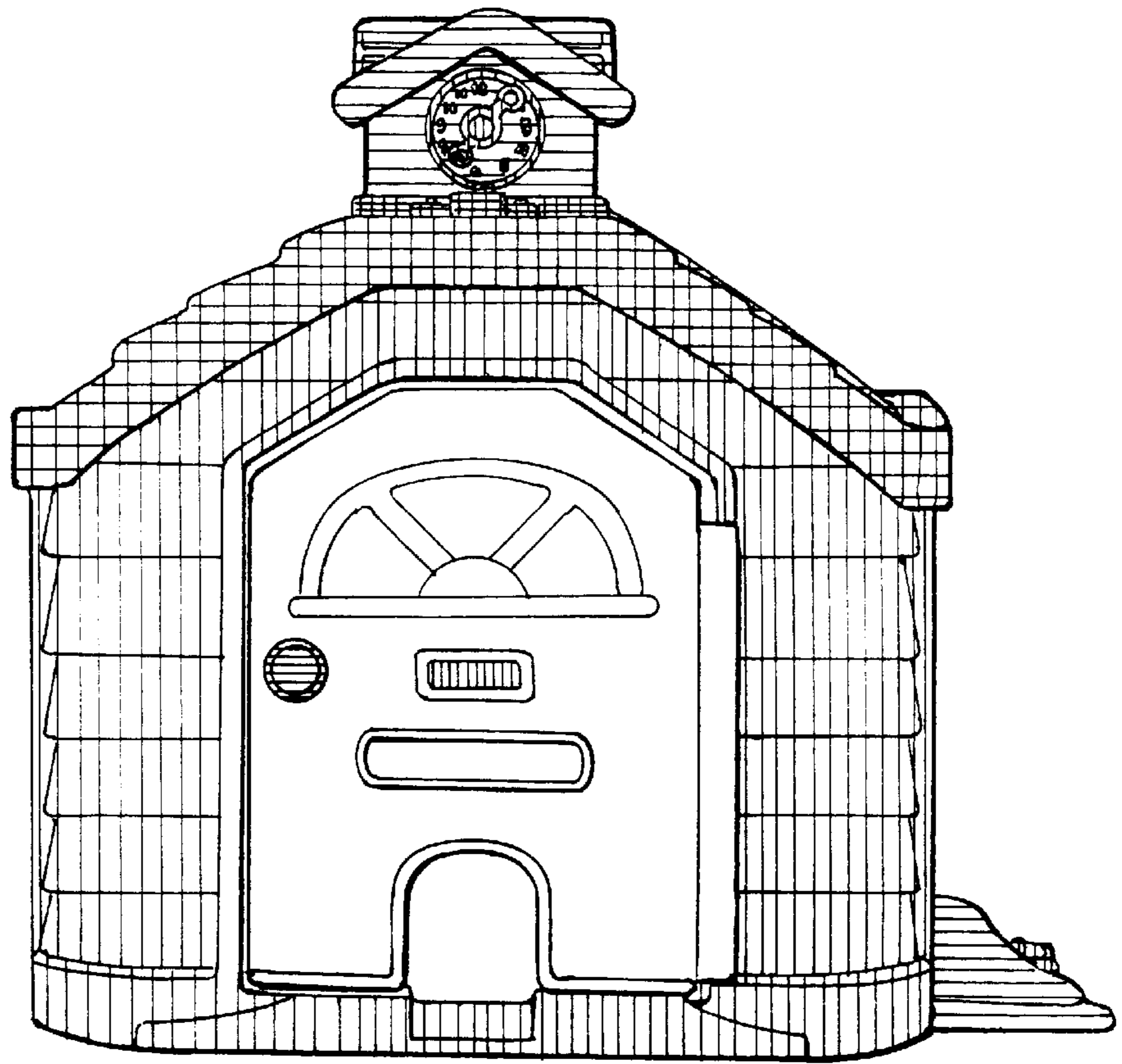


FIG. 4

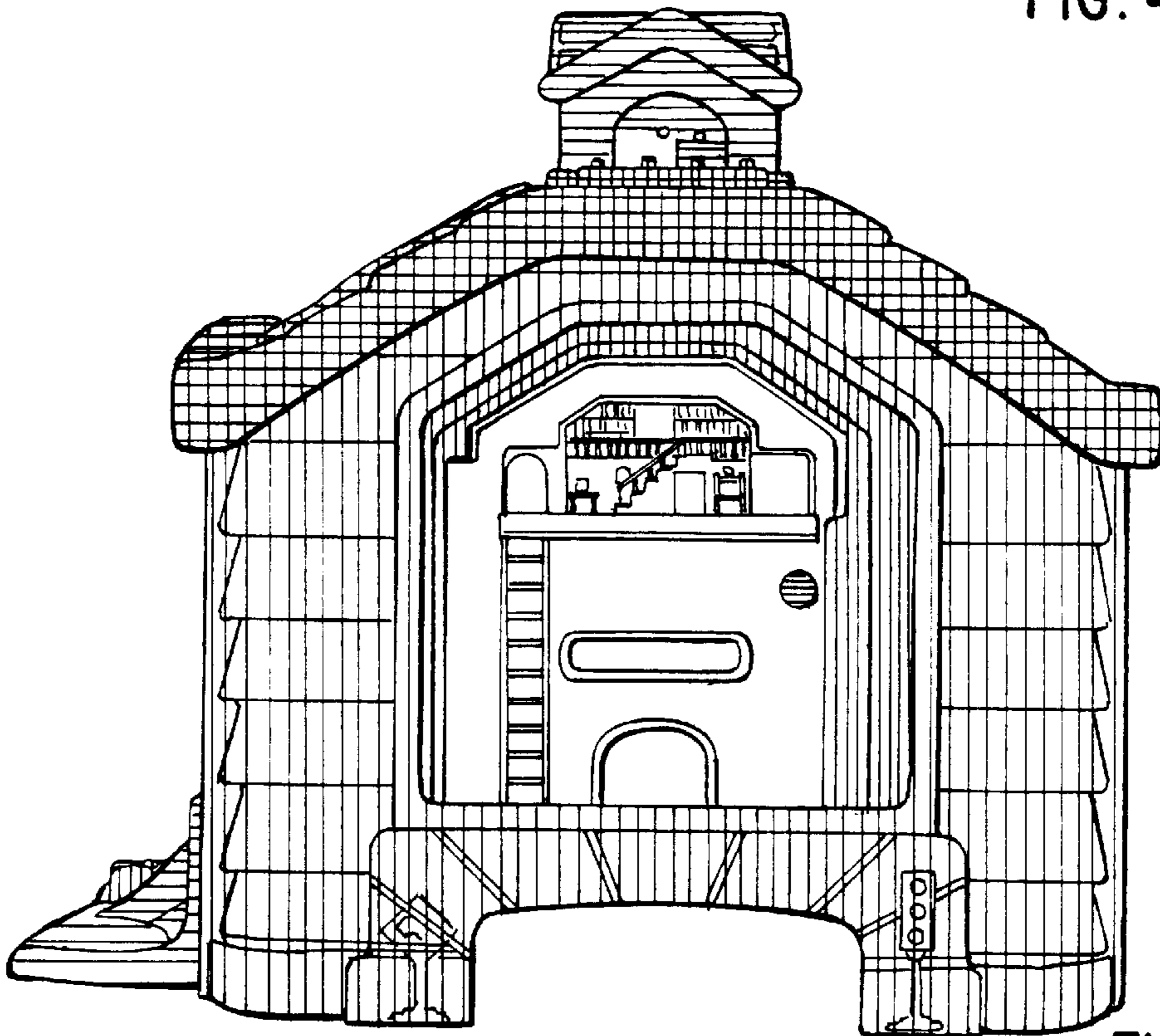


FIG. 5

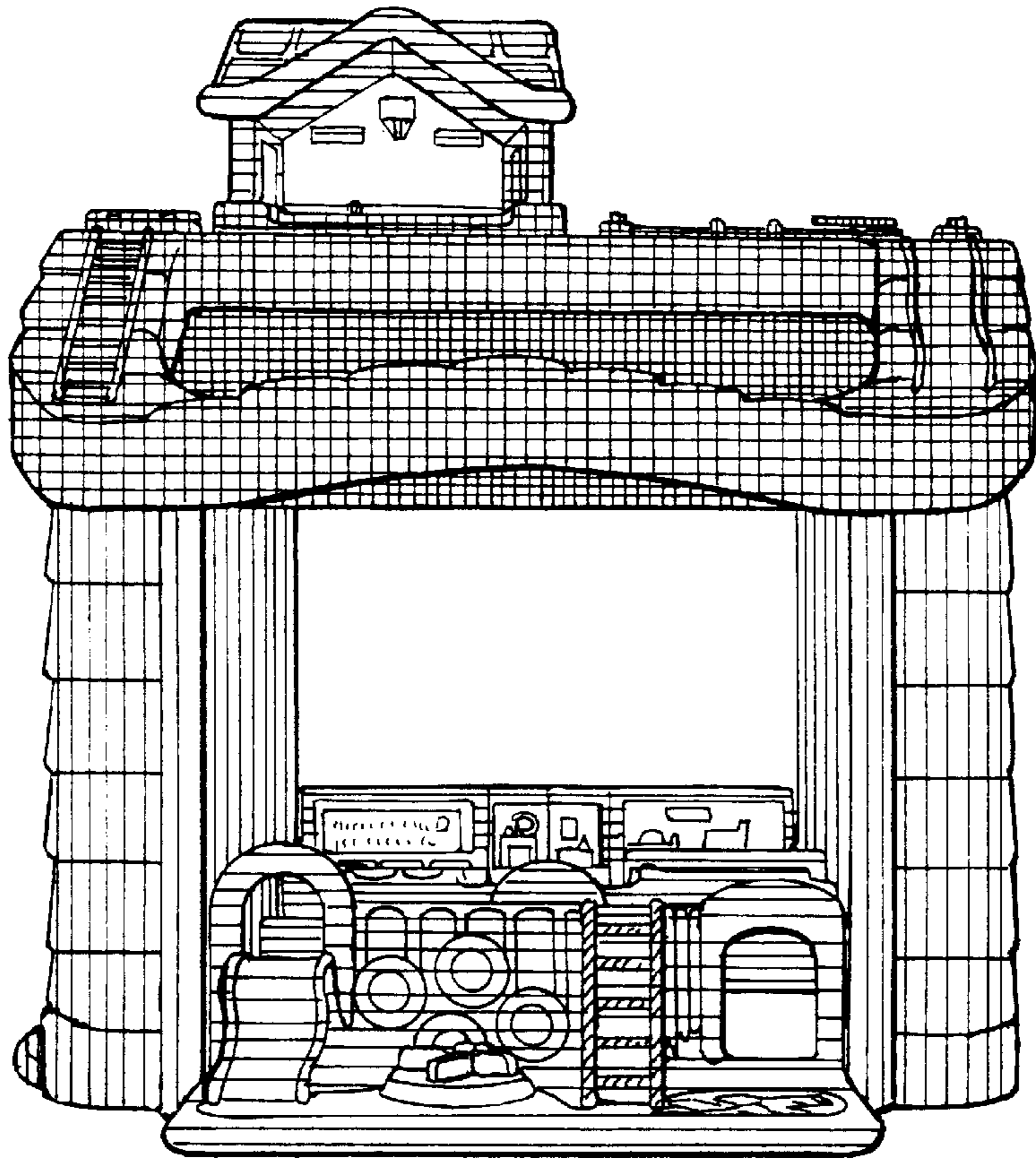


FIG. 6

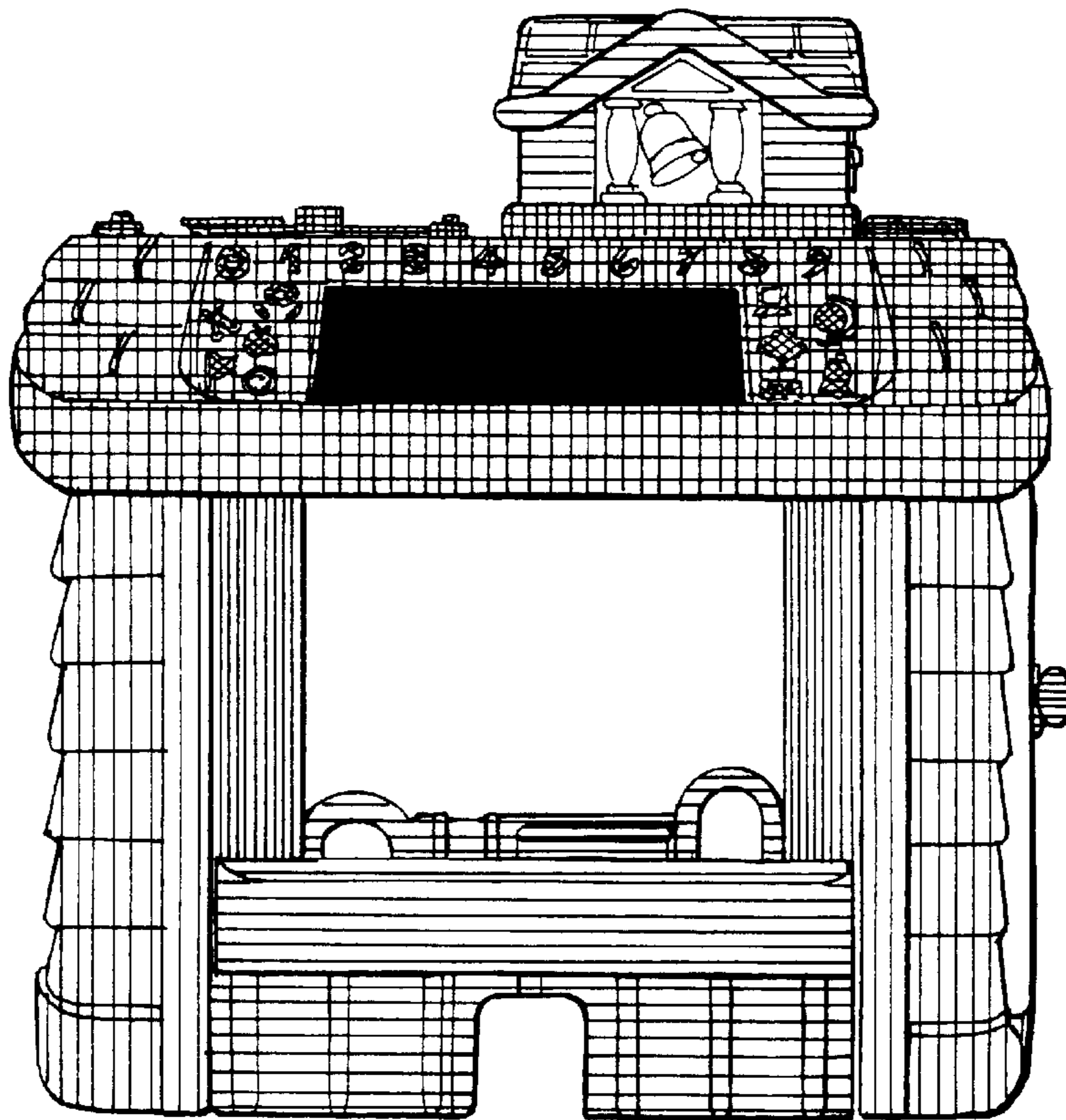


FIG. 7

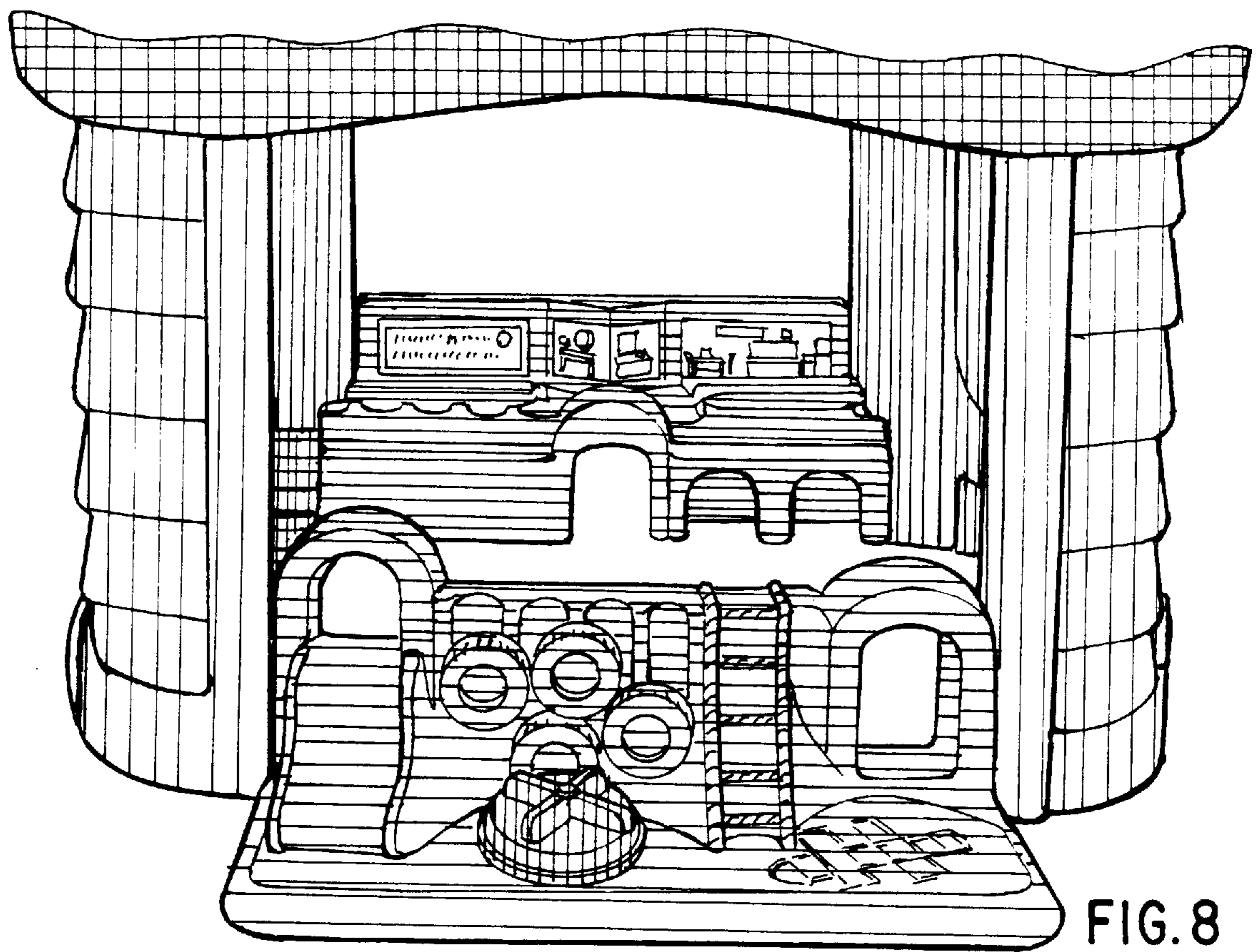


FIG. 8

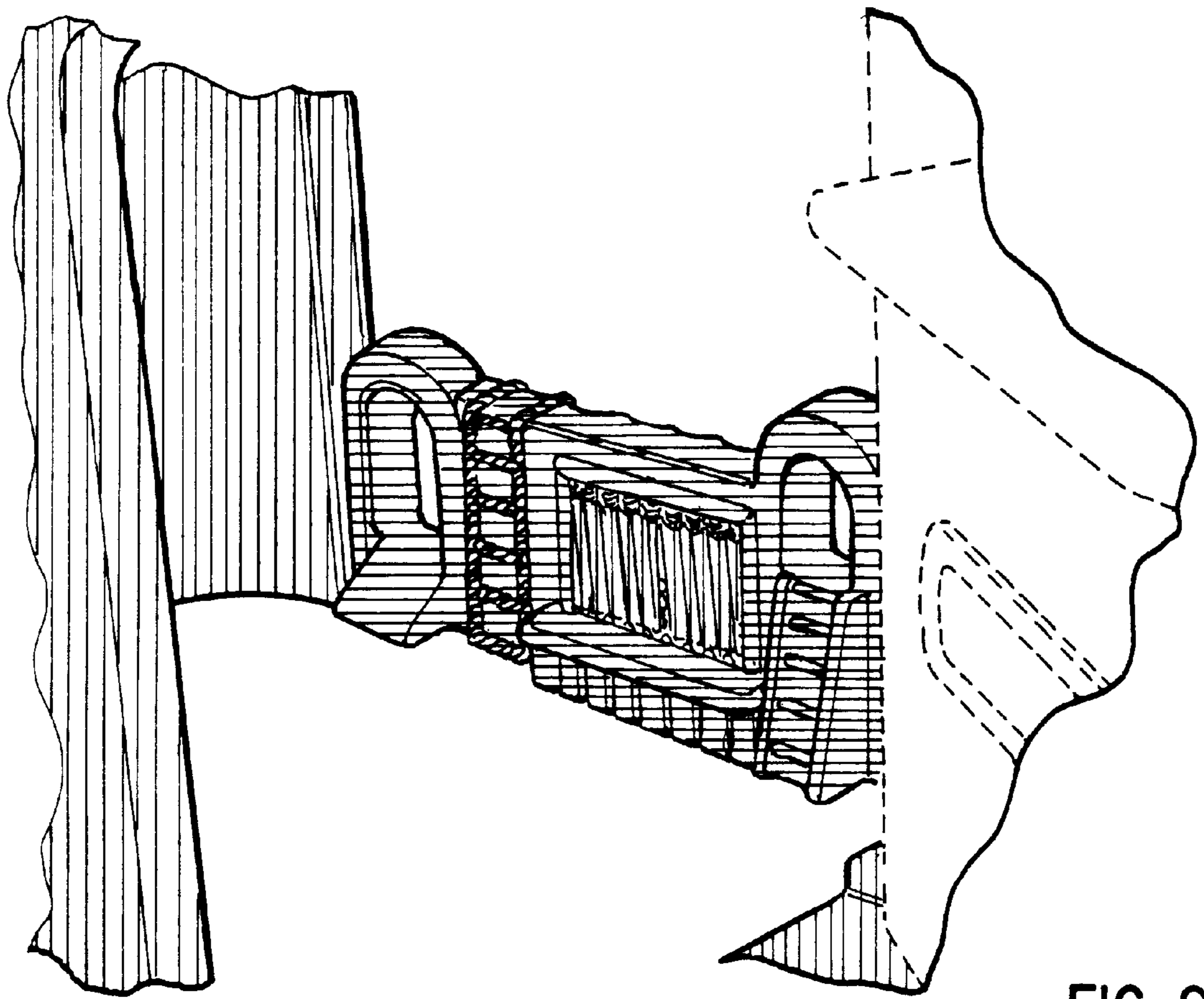


FIG. 9

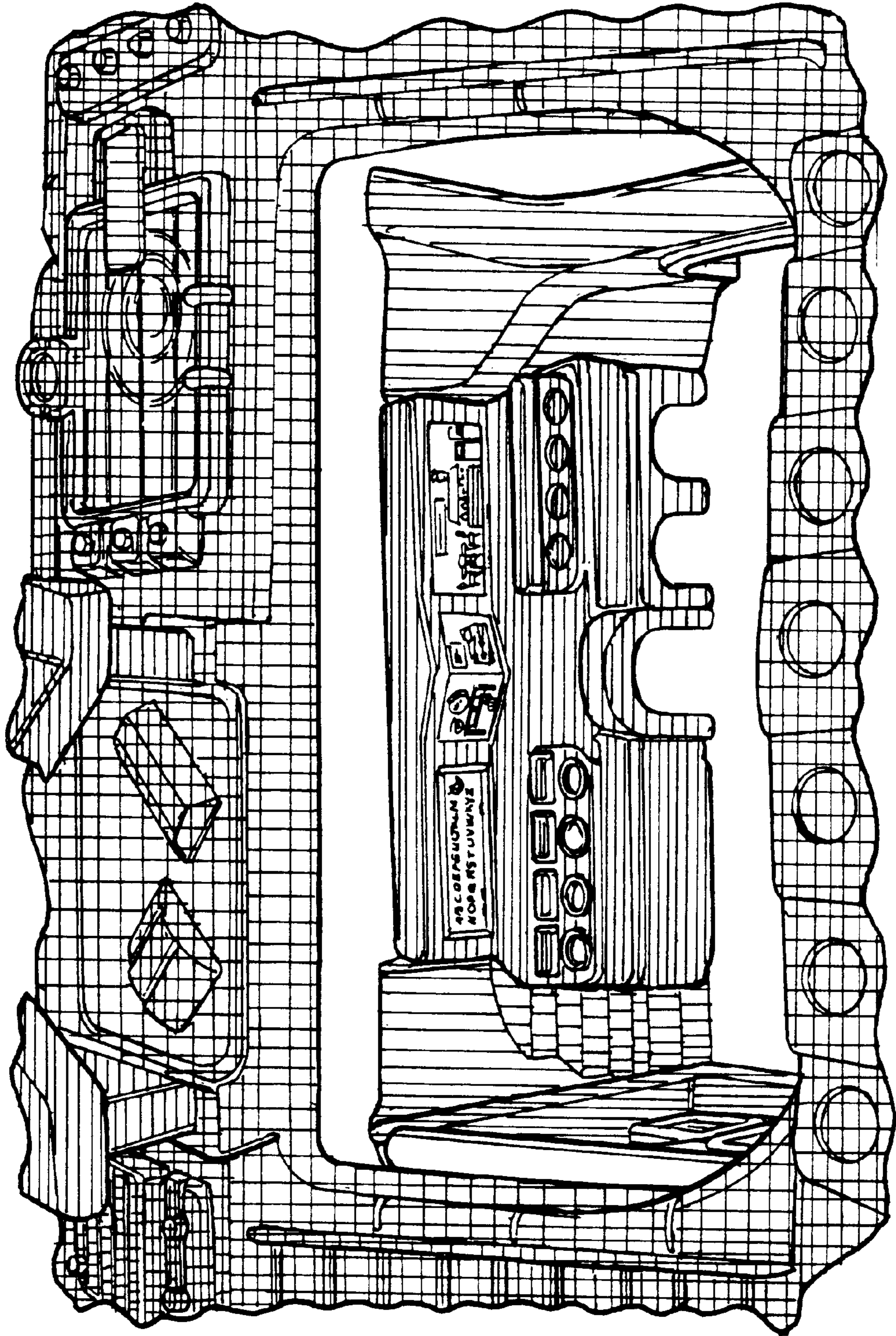


FIG. 10

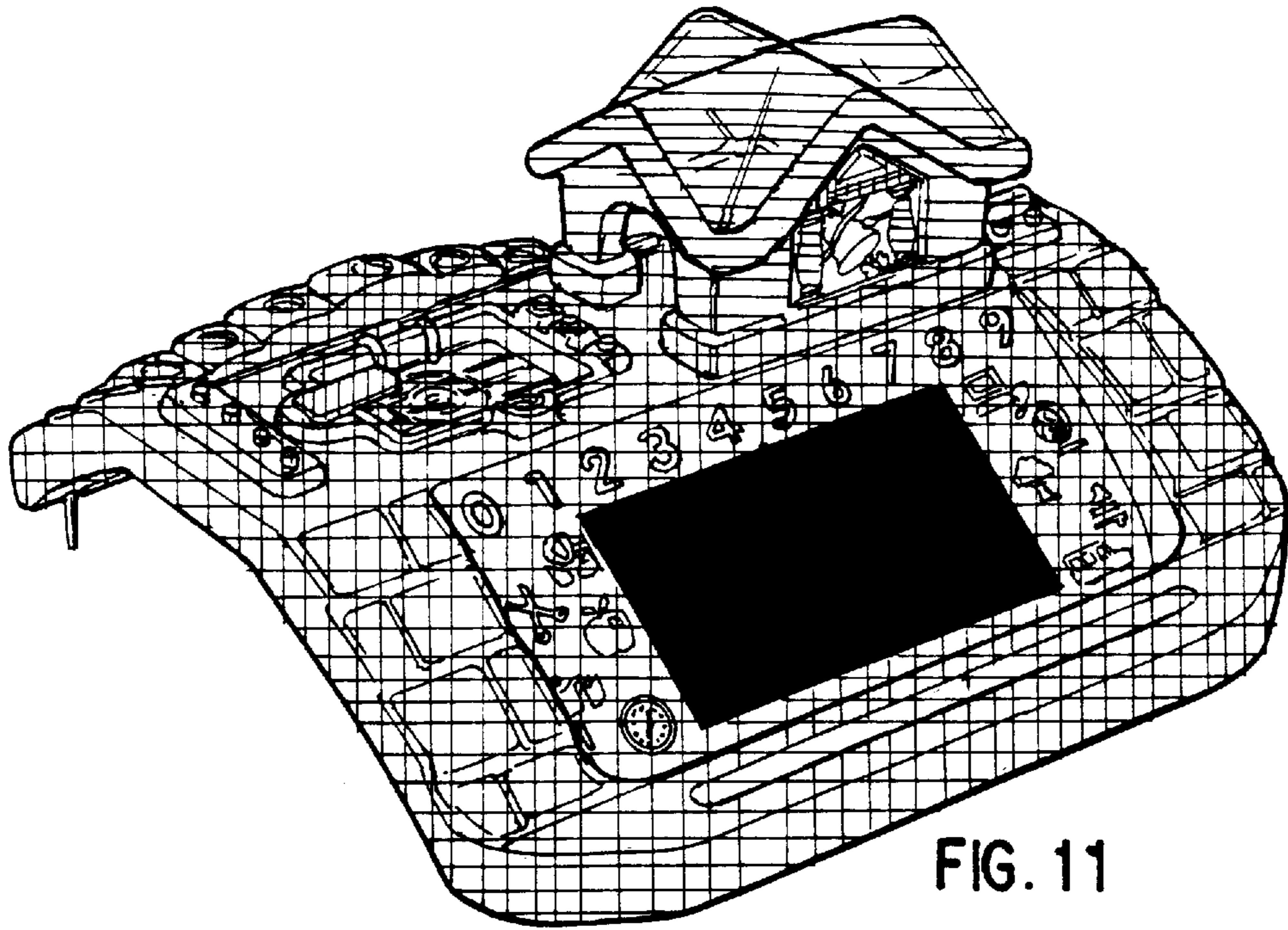


FIG. 11

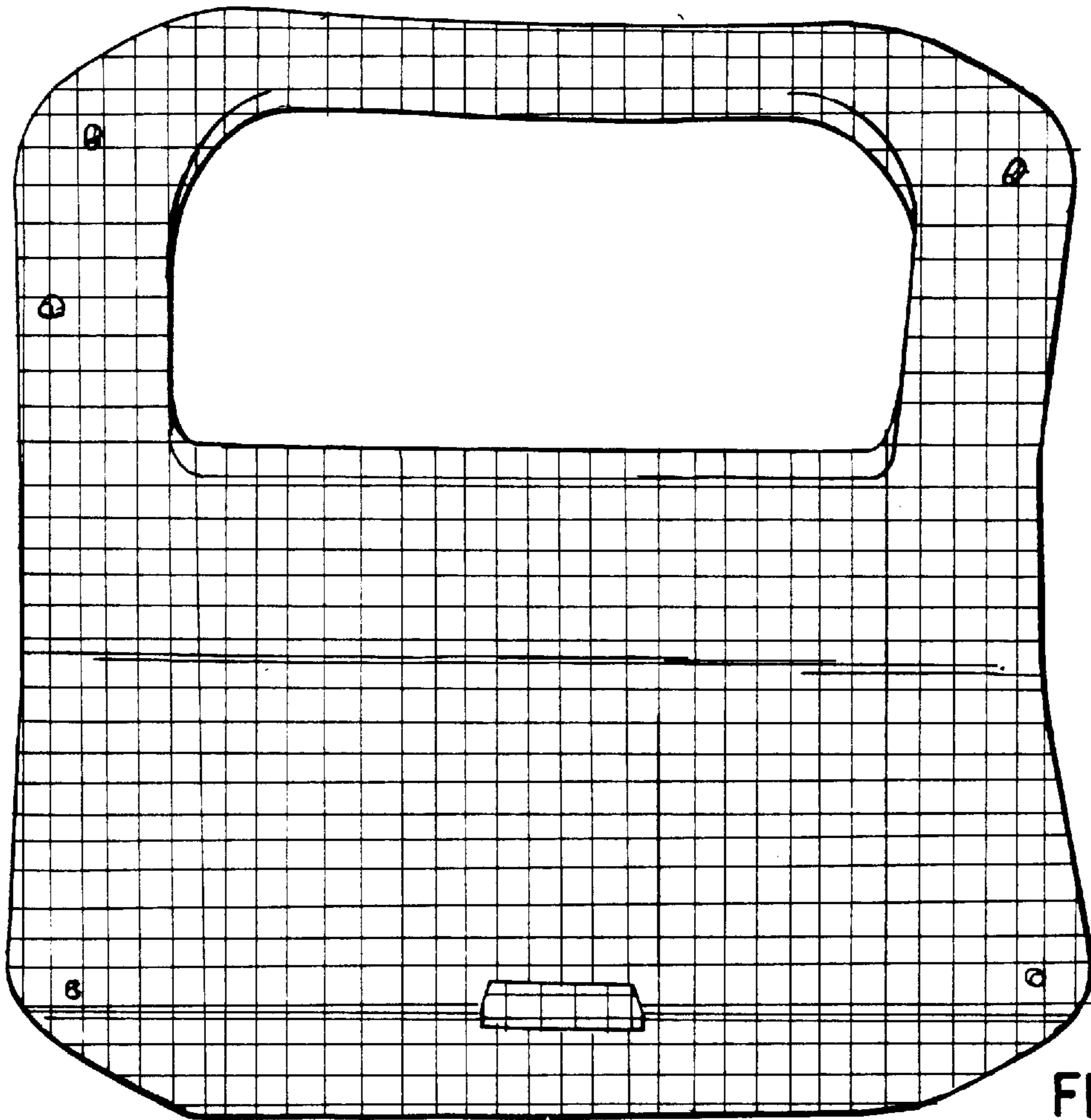


FIG. 12

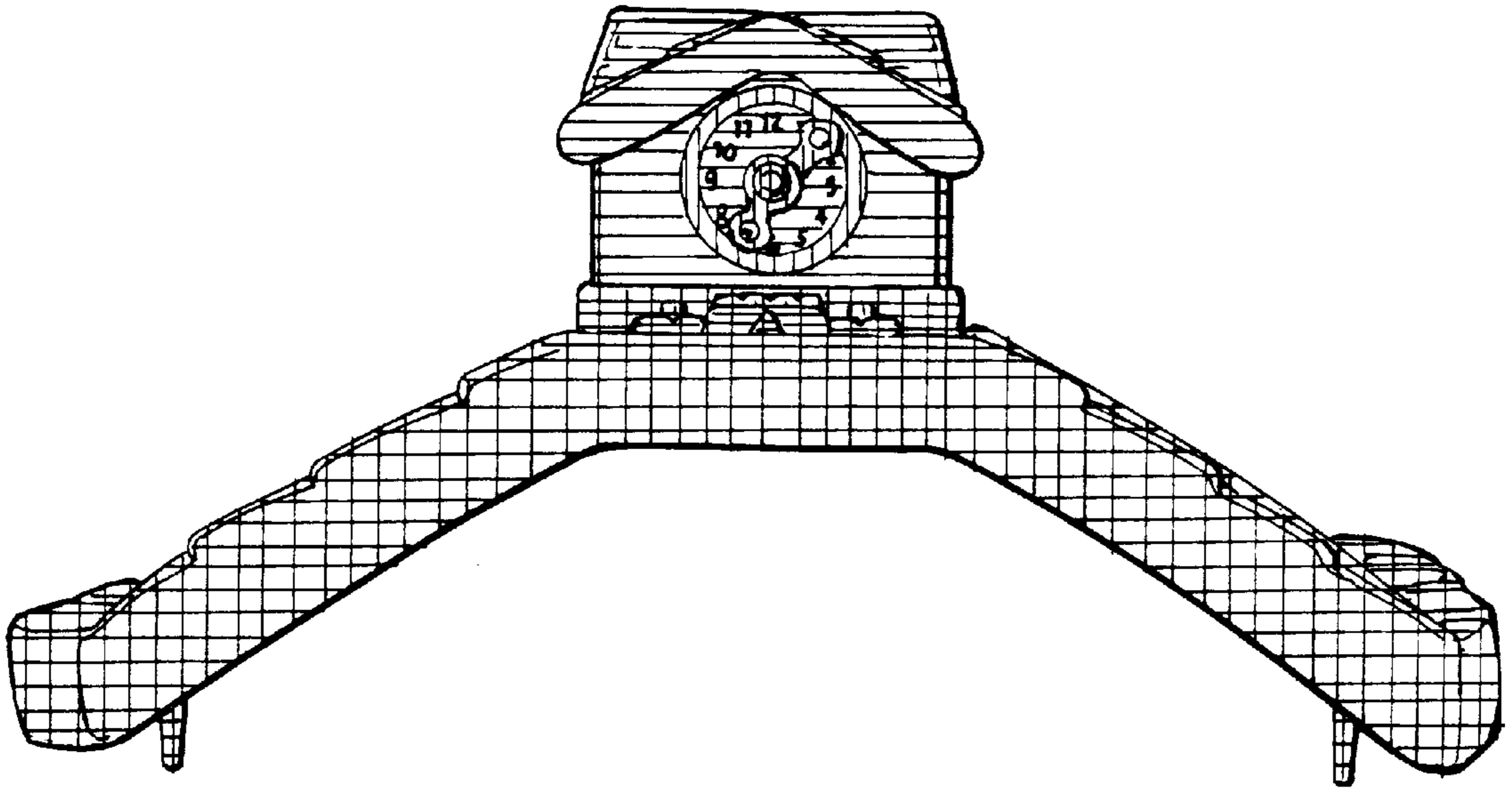


FIG. 13

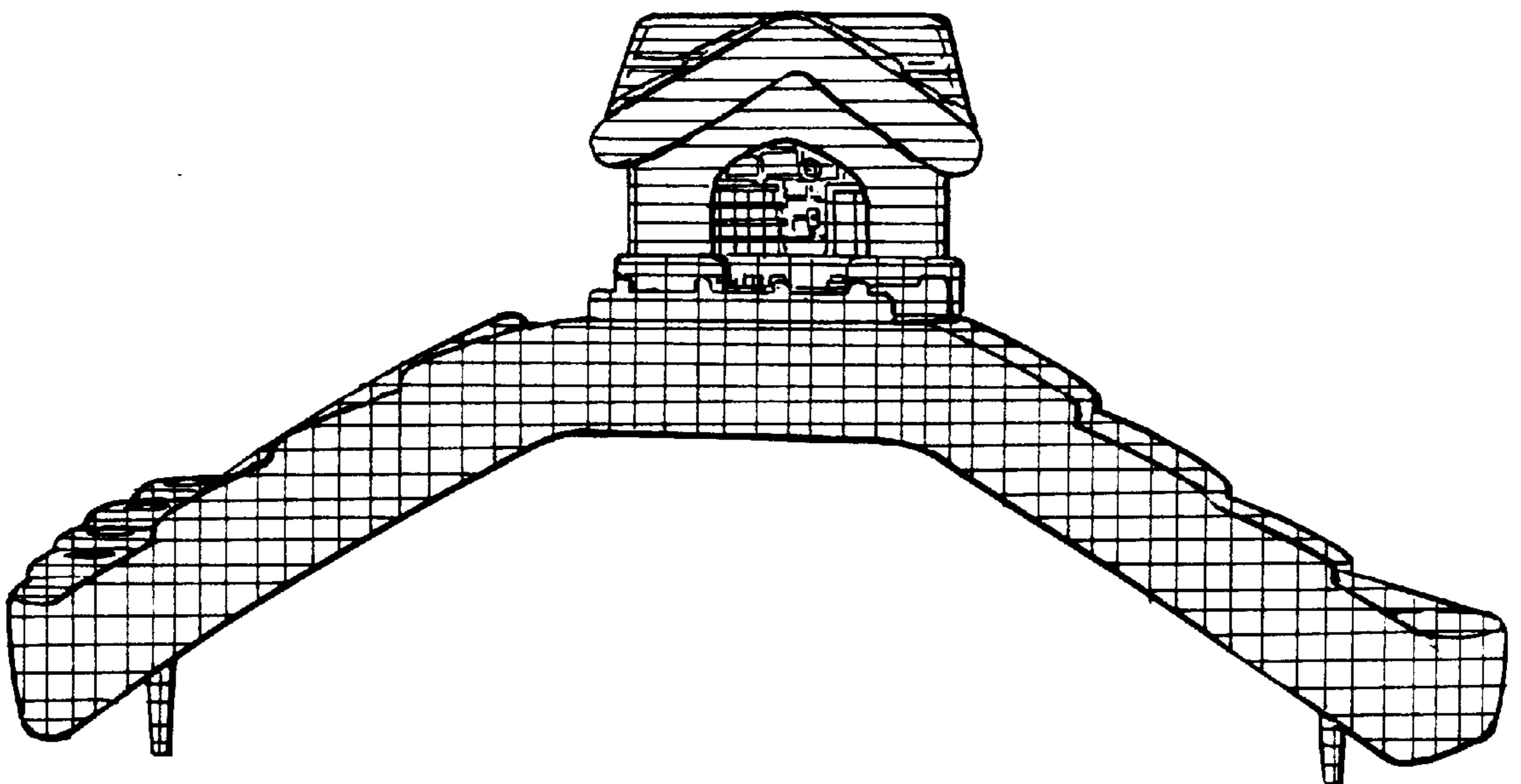


FIG. 14

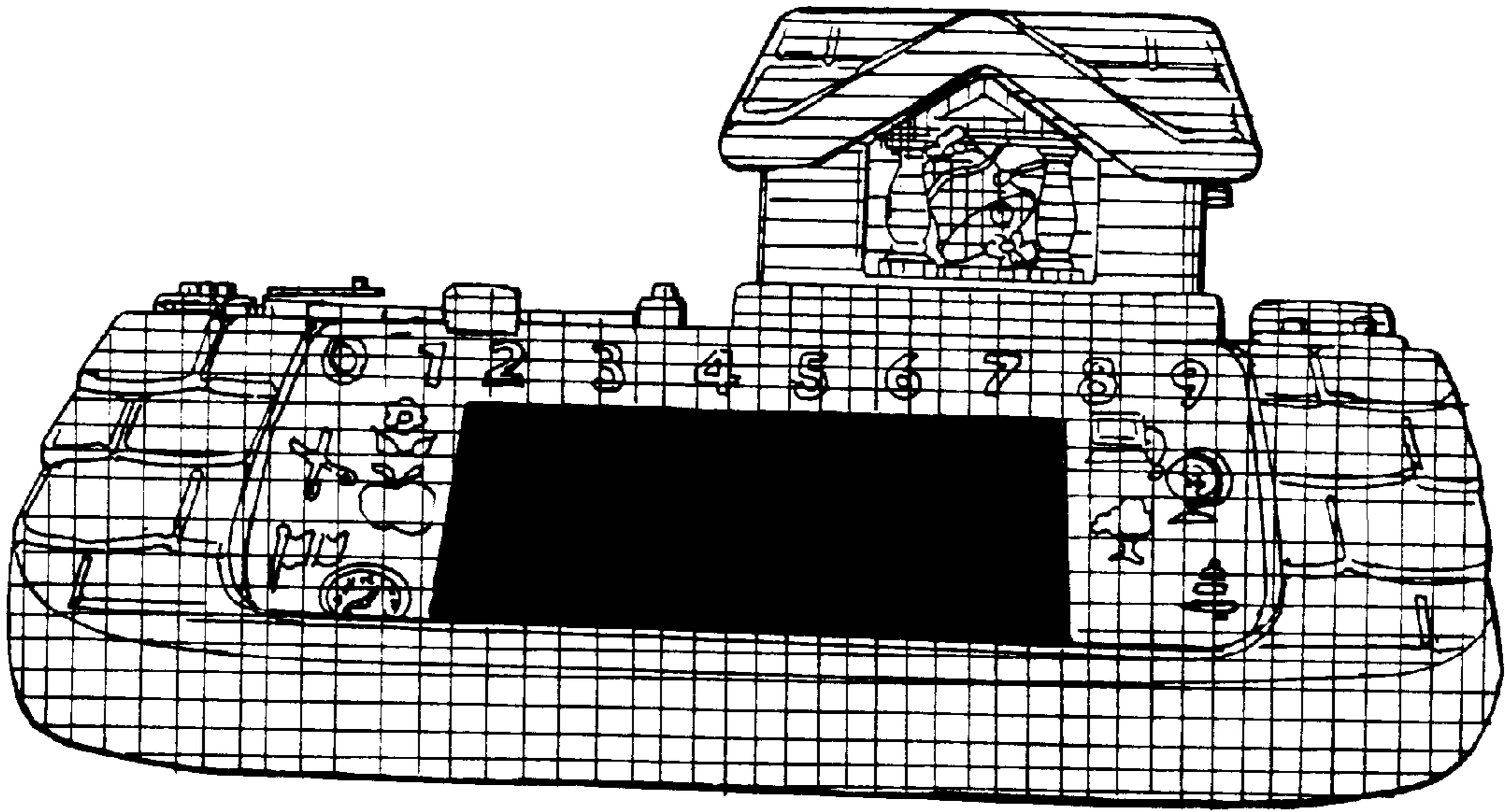


FIG. 15

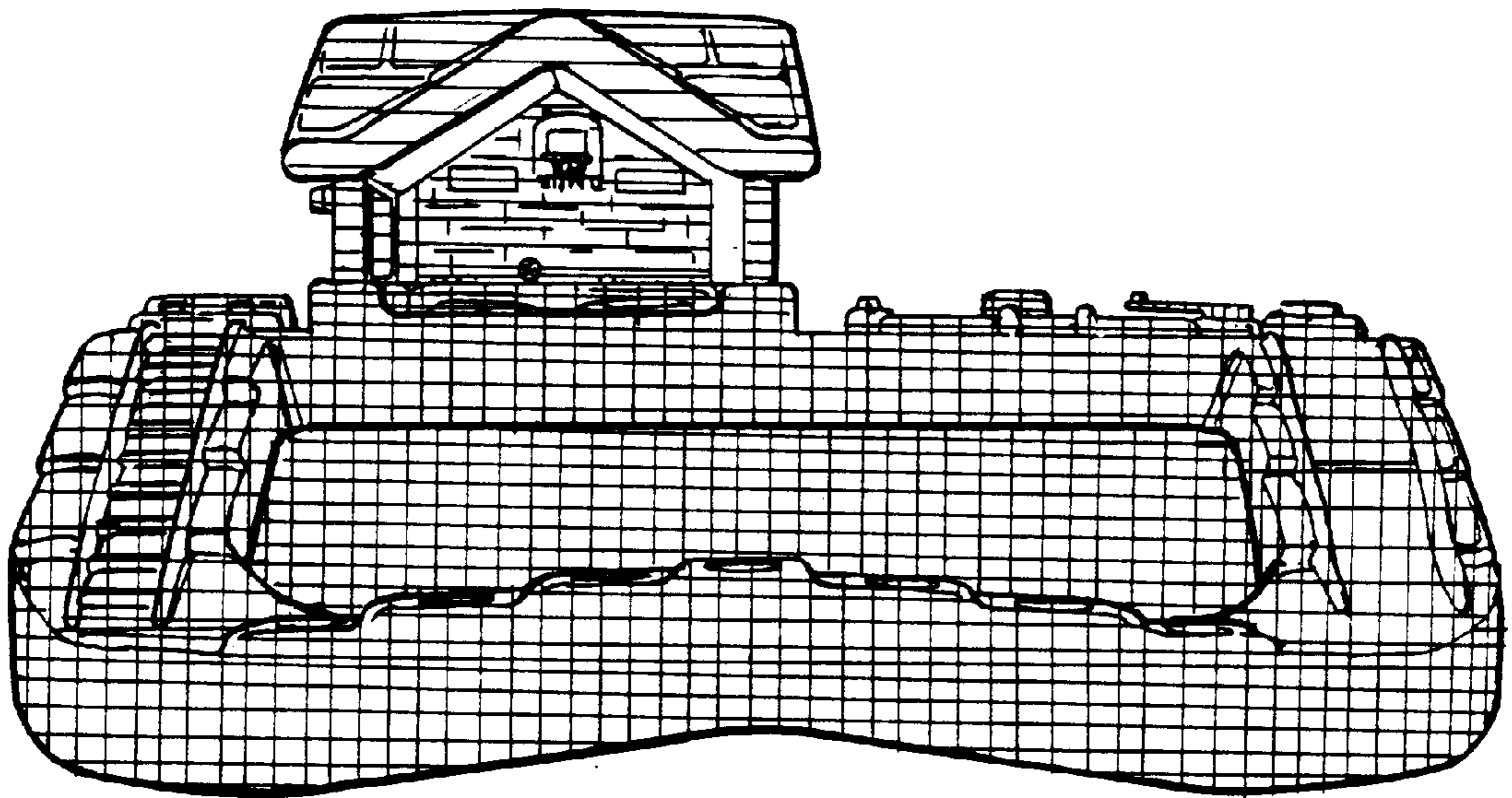


FIG. 16

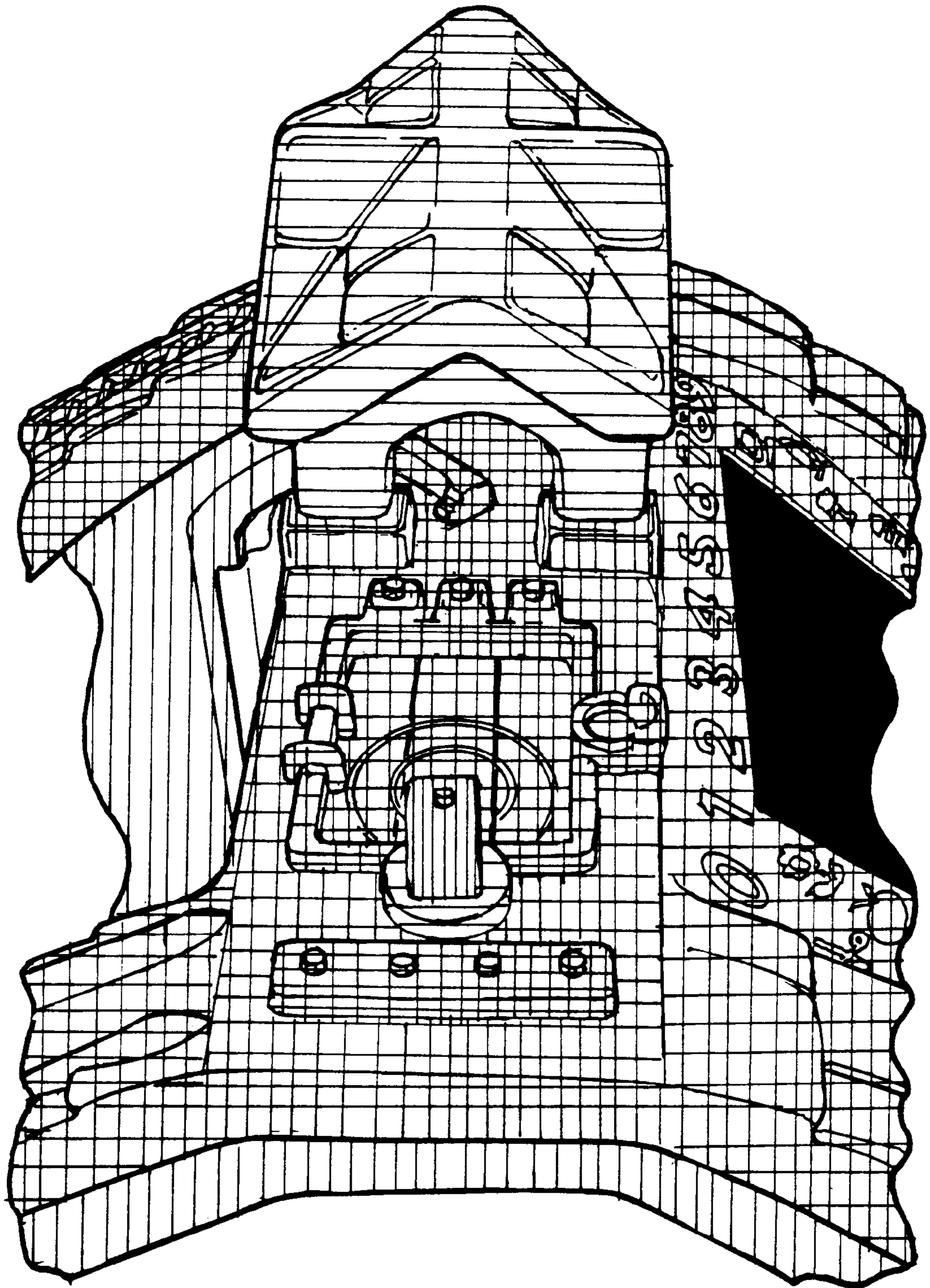


FIG. 17

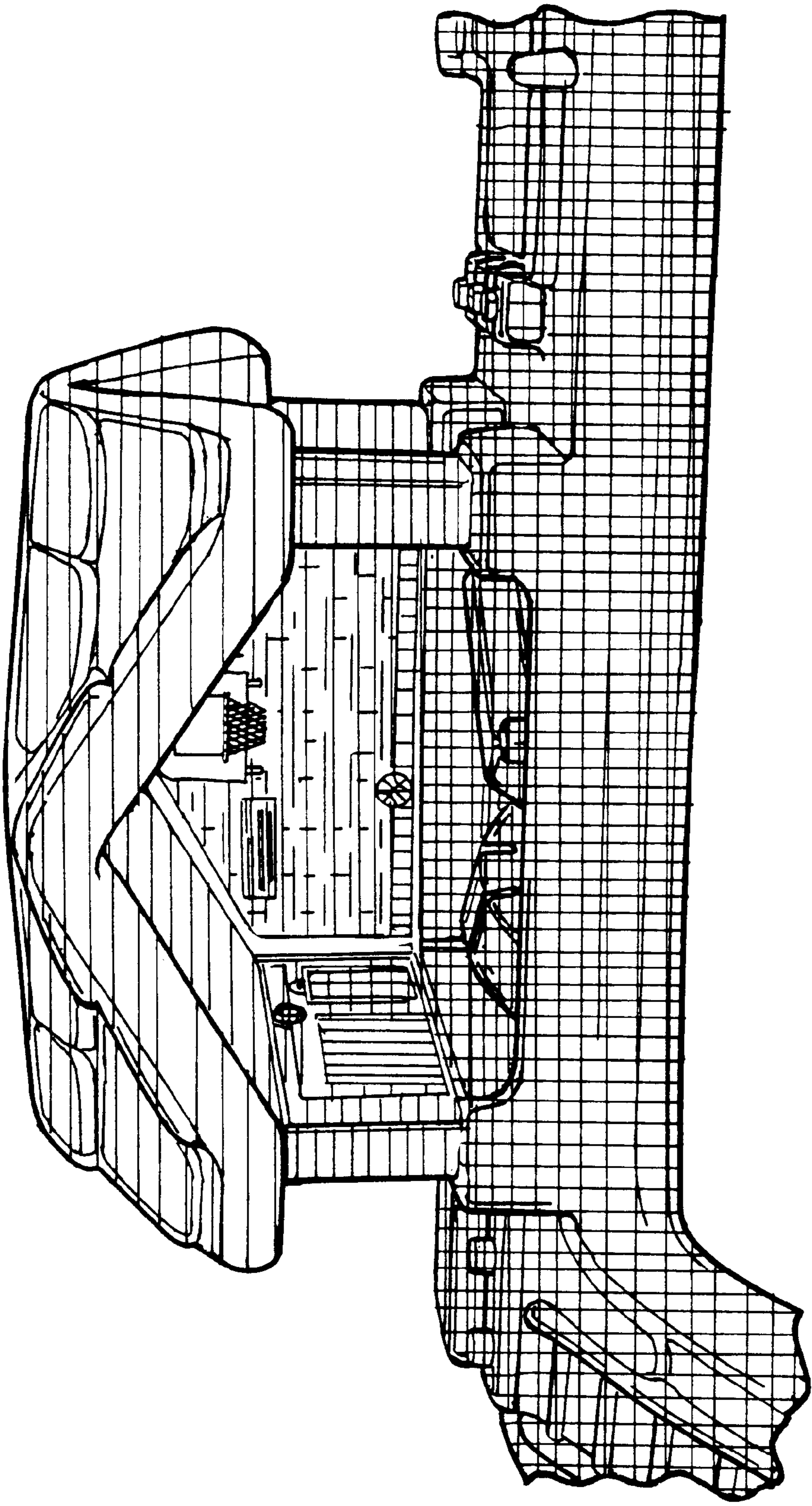


FIG. 18

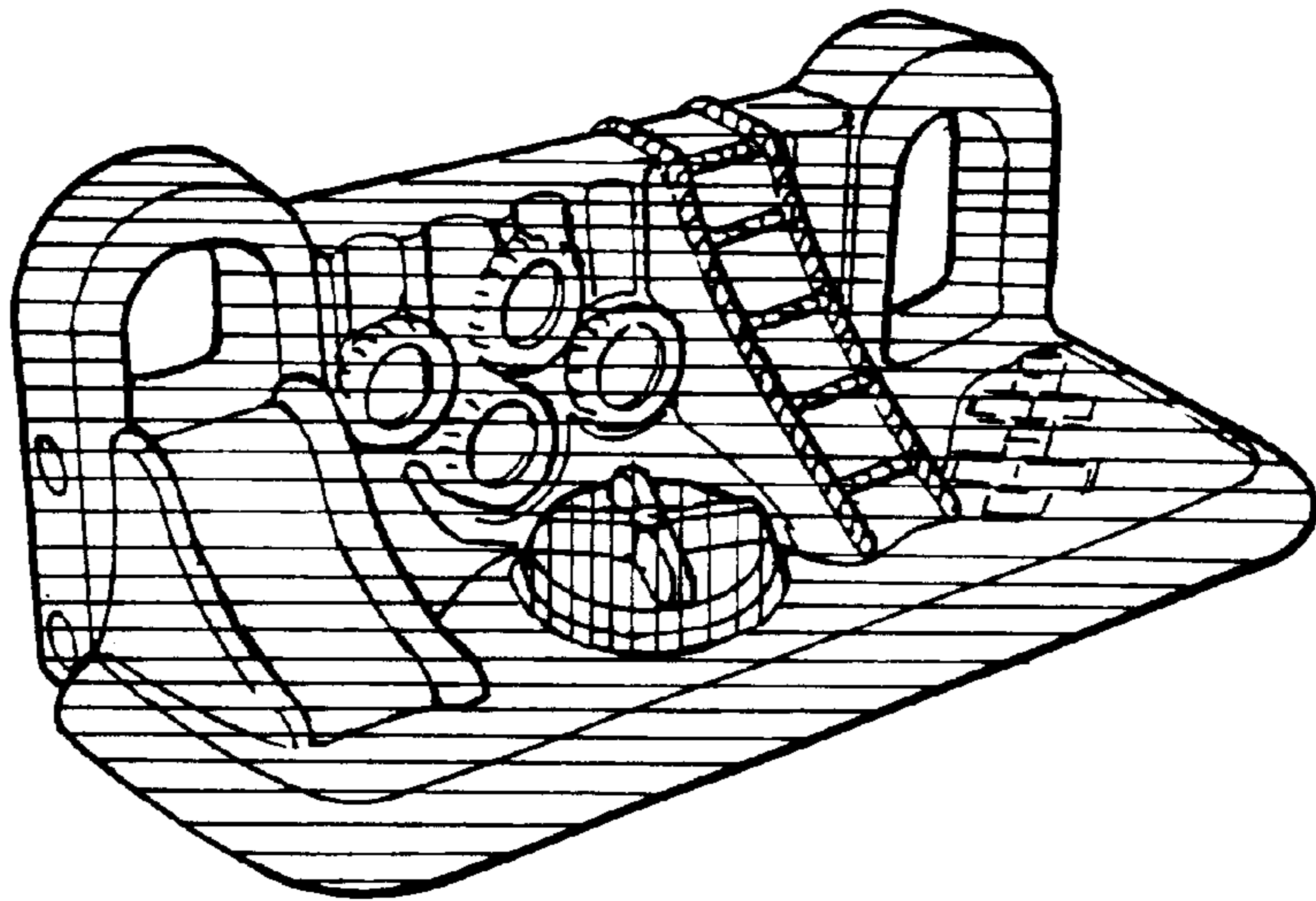


FIG. 19

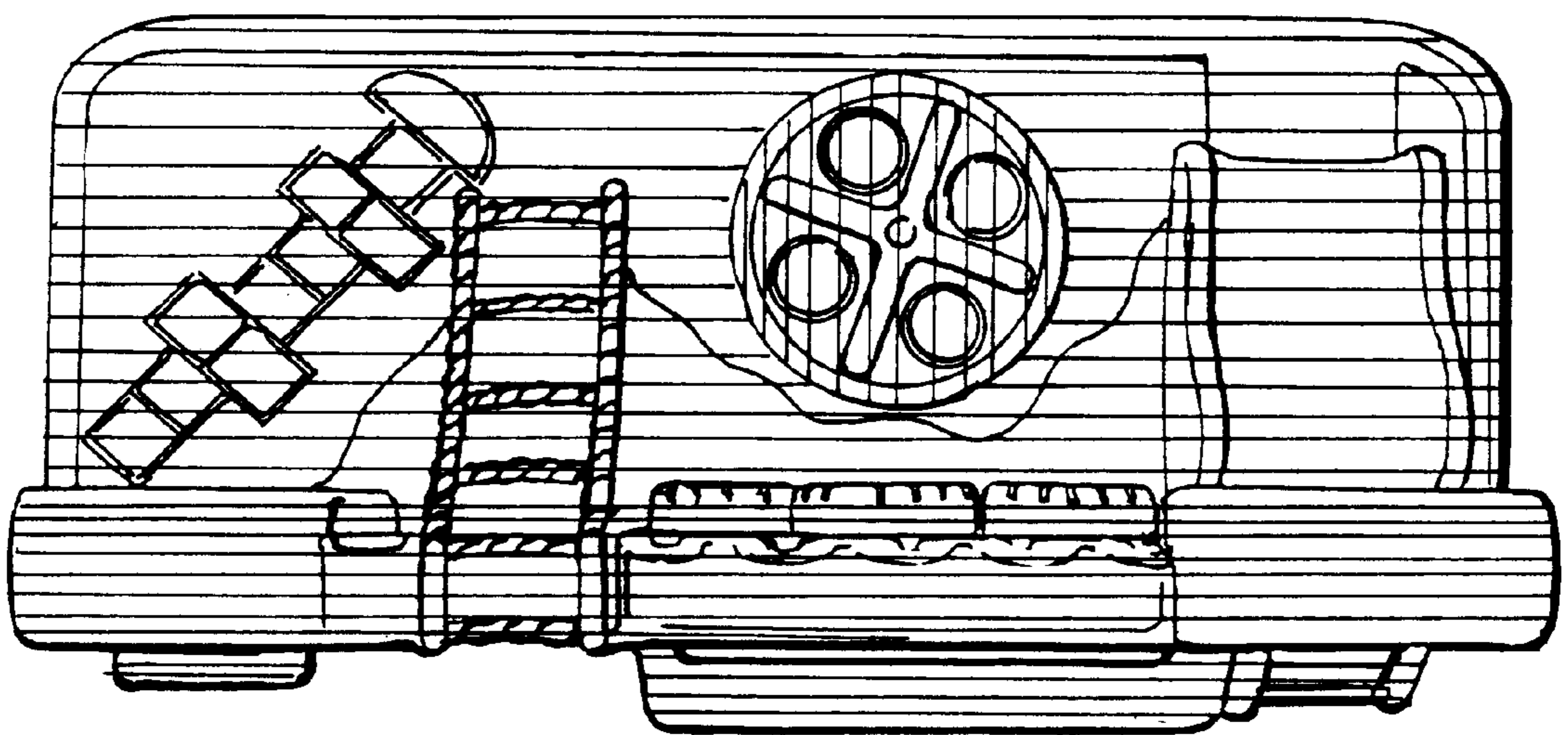


FIG. 20

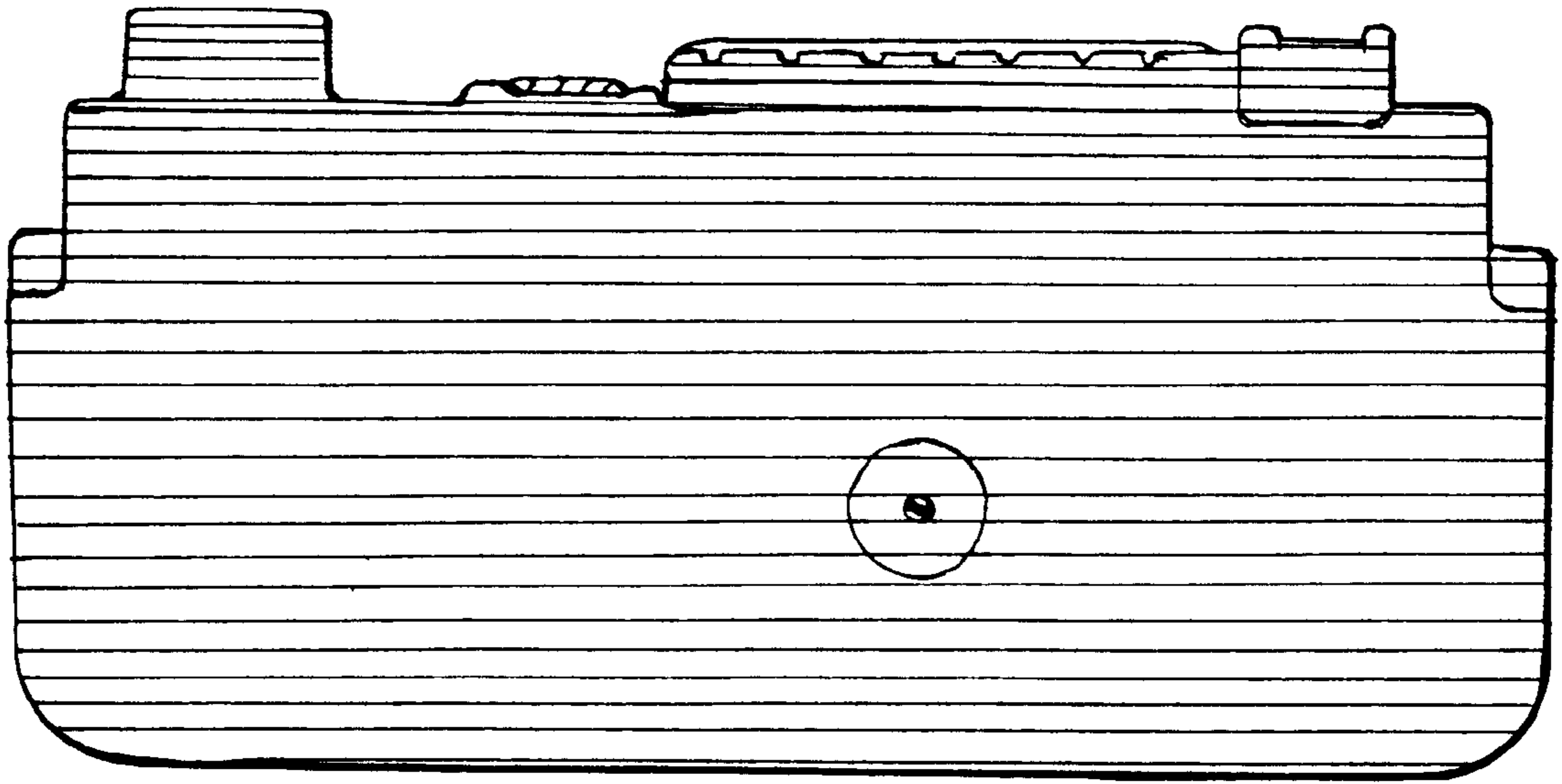


FIG. 21

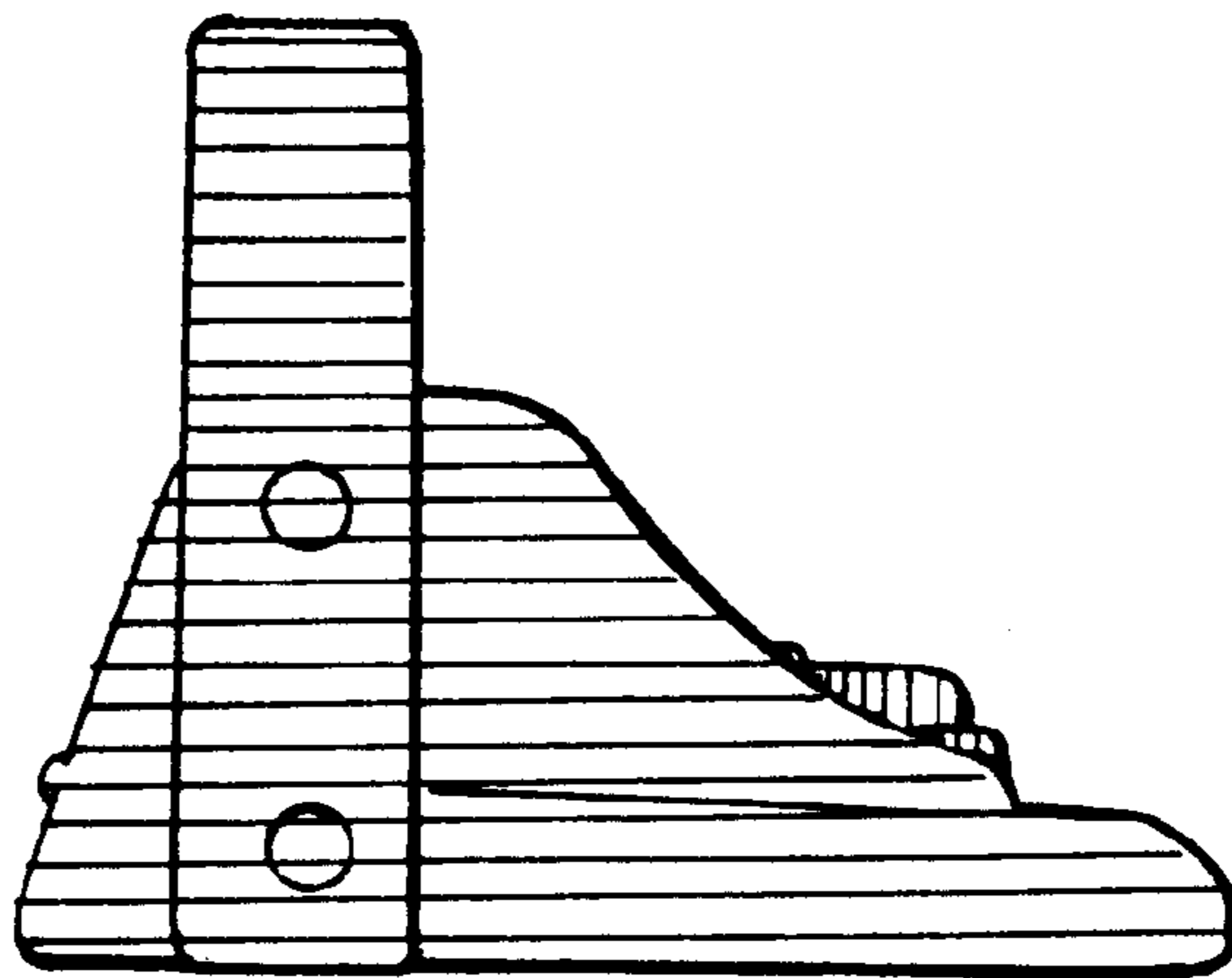


FIG. 22

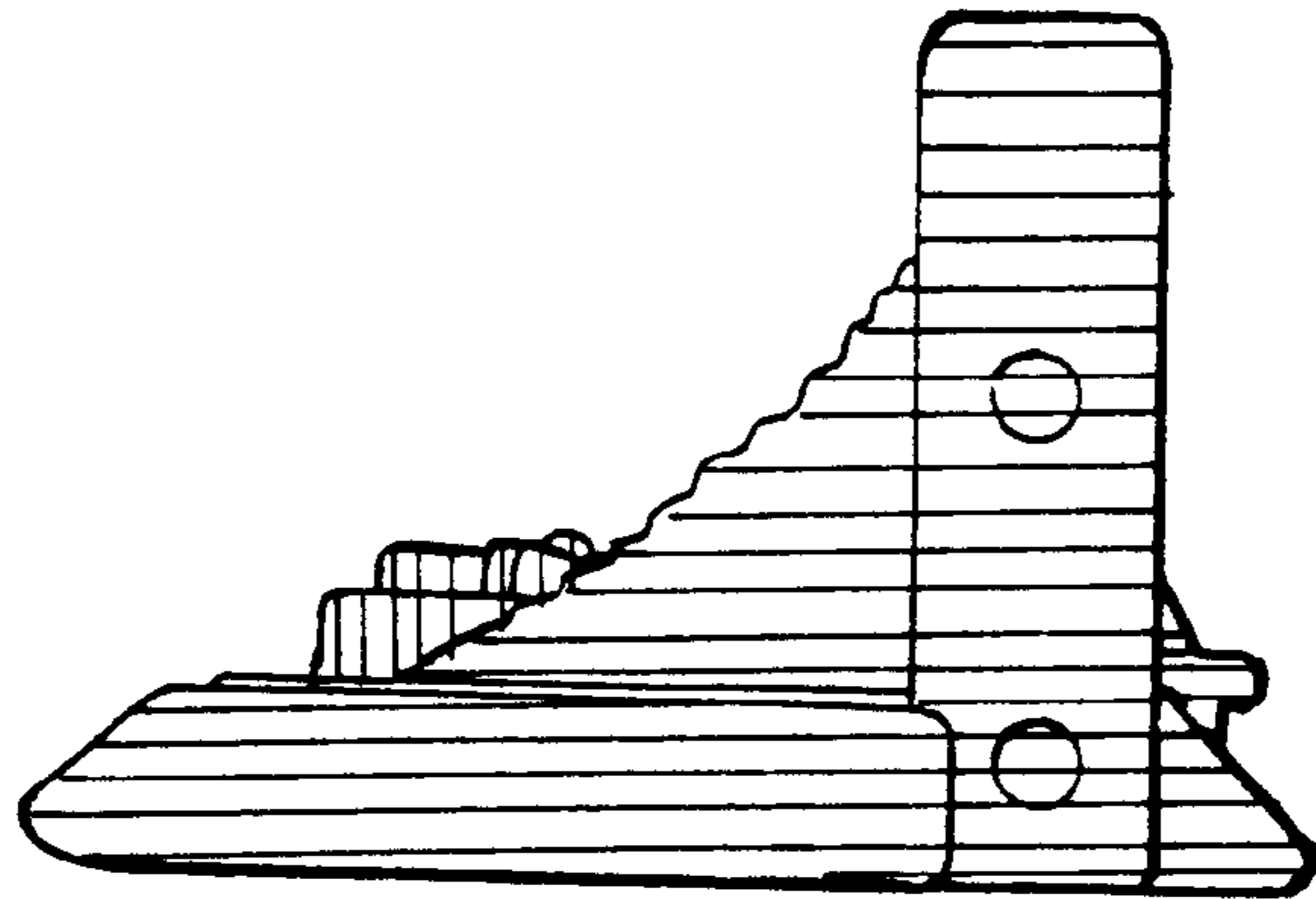


FIG. 23

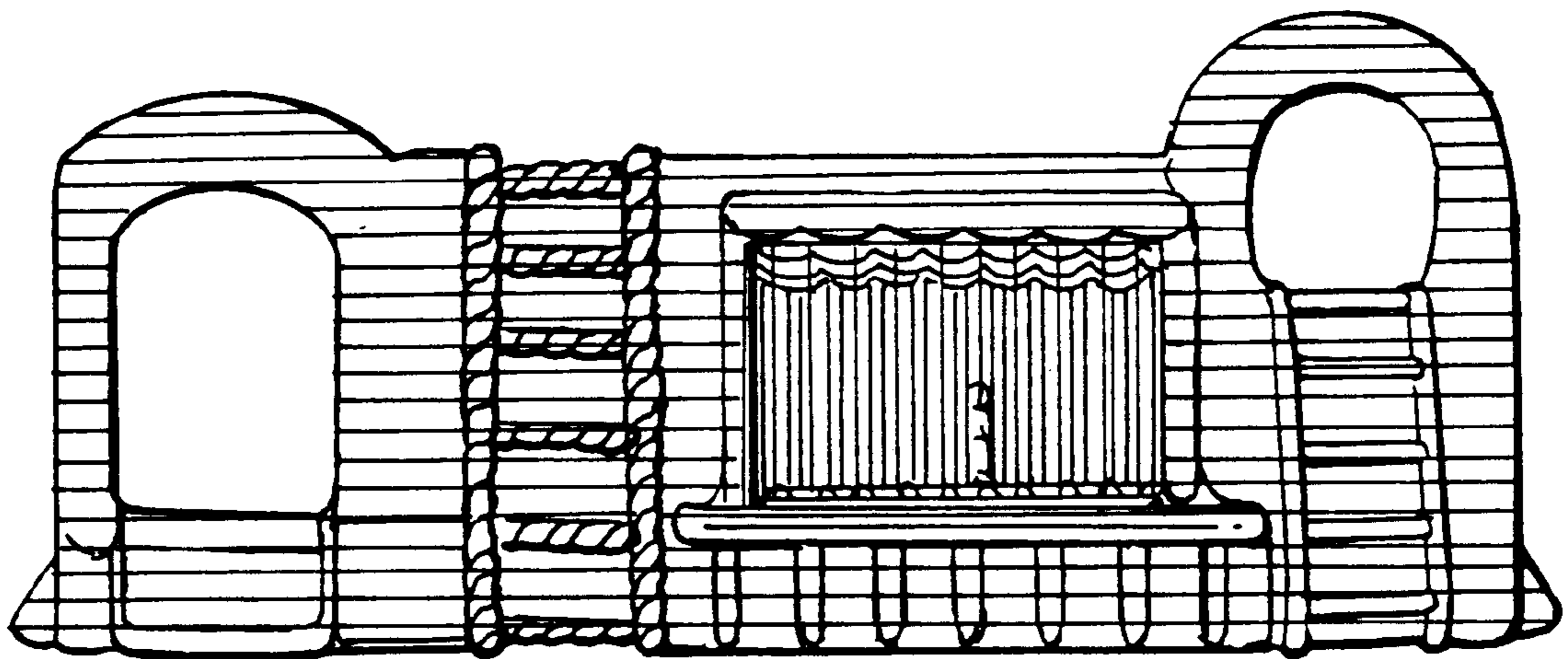


FIG. 24

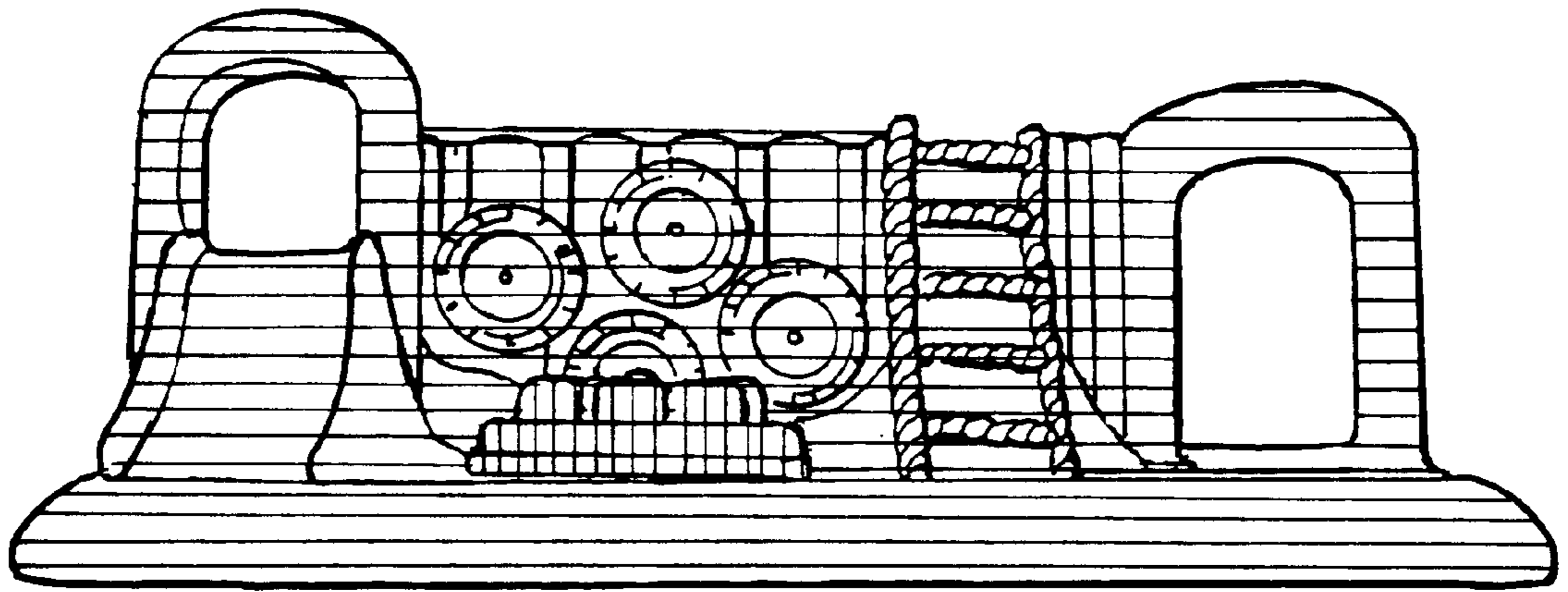


FIG. 25

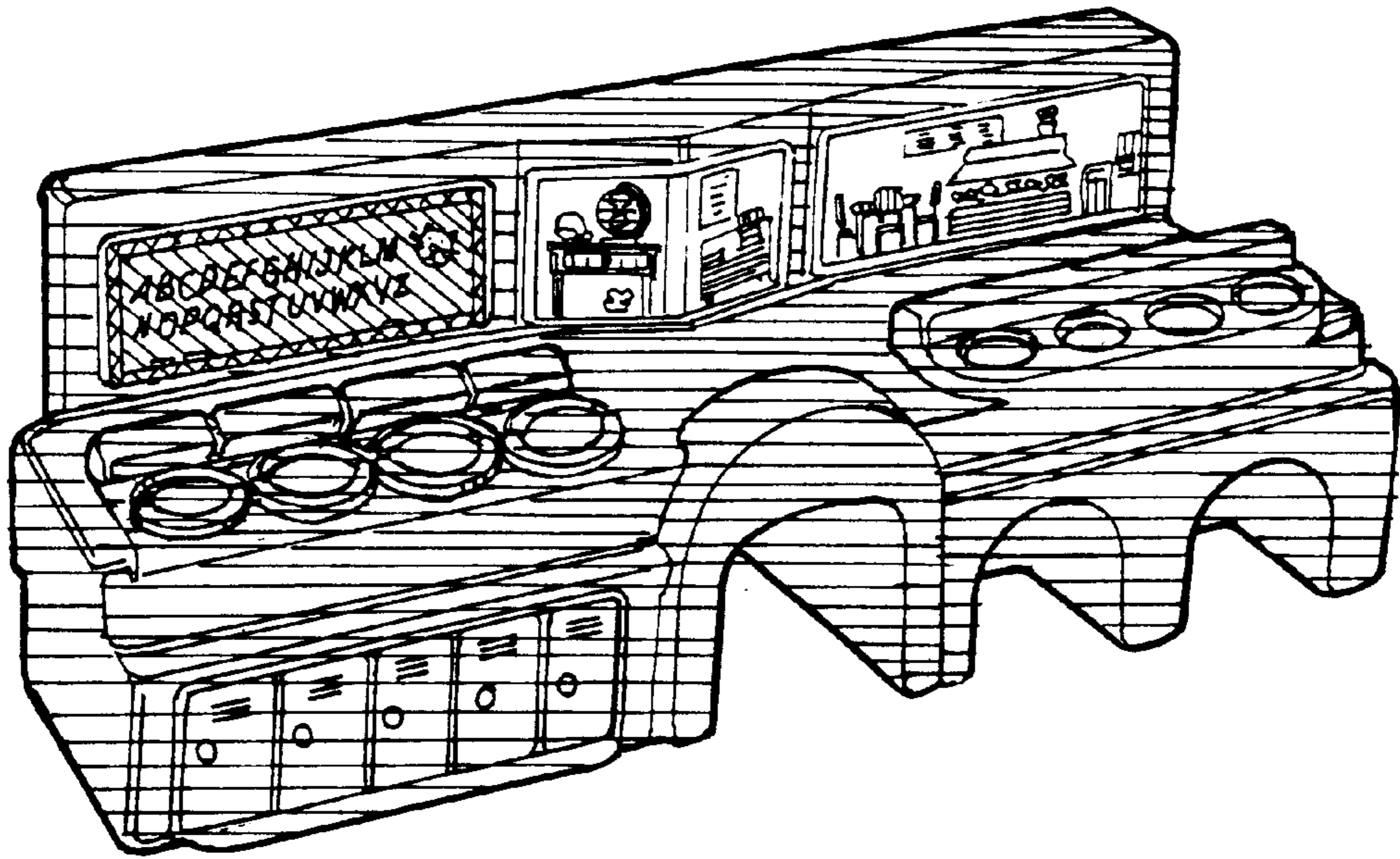


FIG. 26

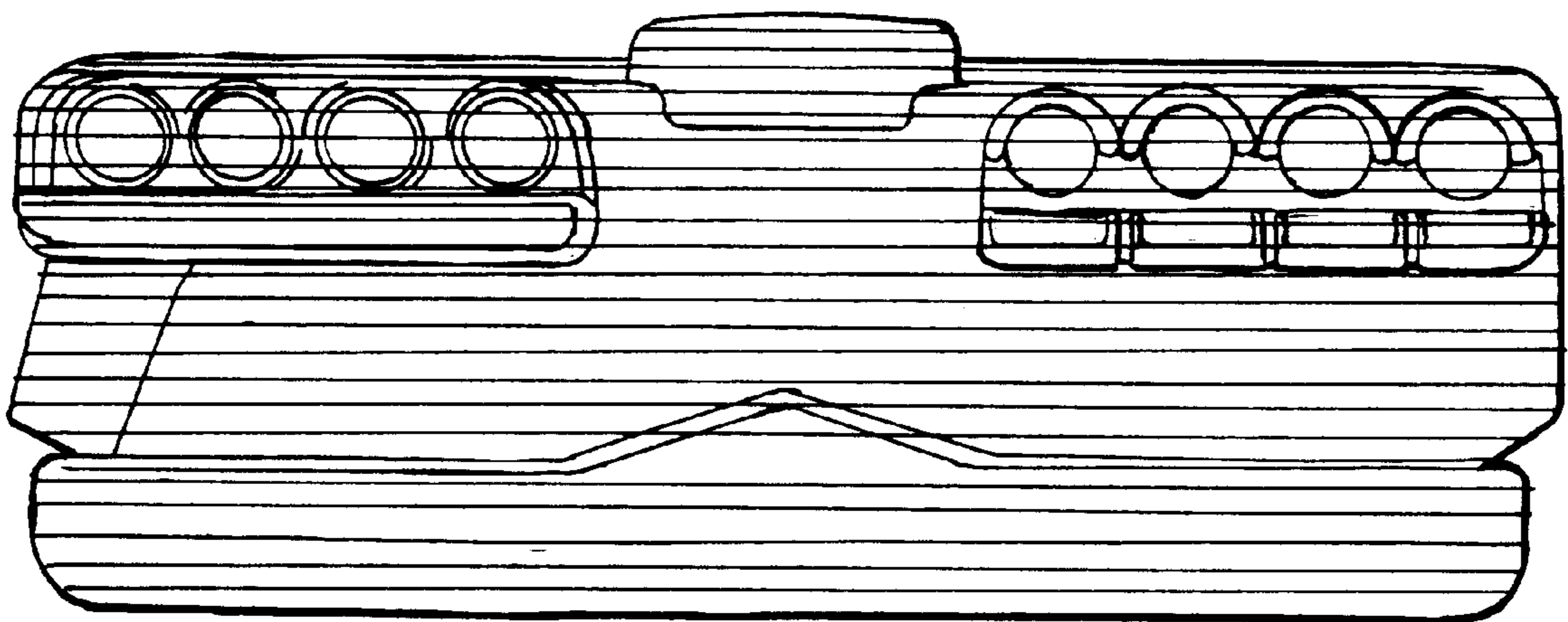


FIG. 27

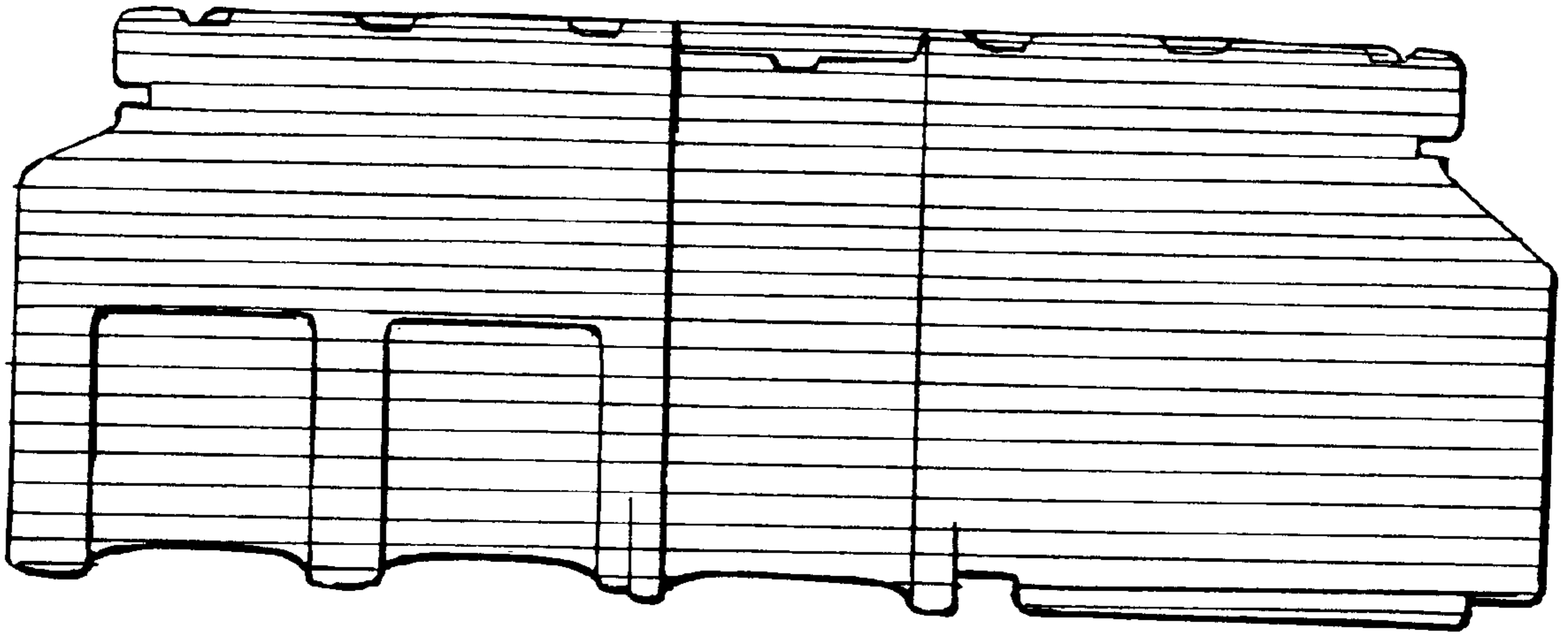


FIG. 28

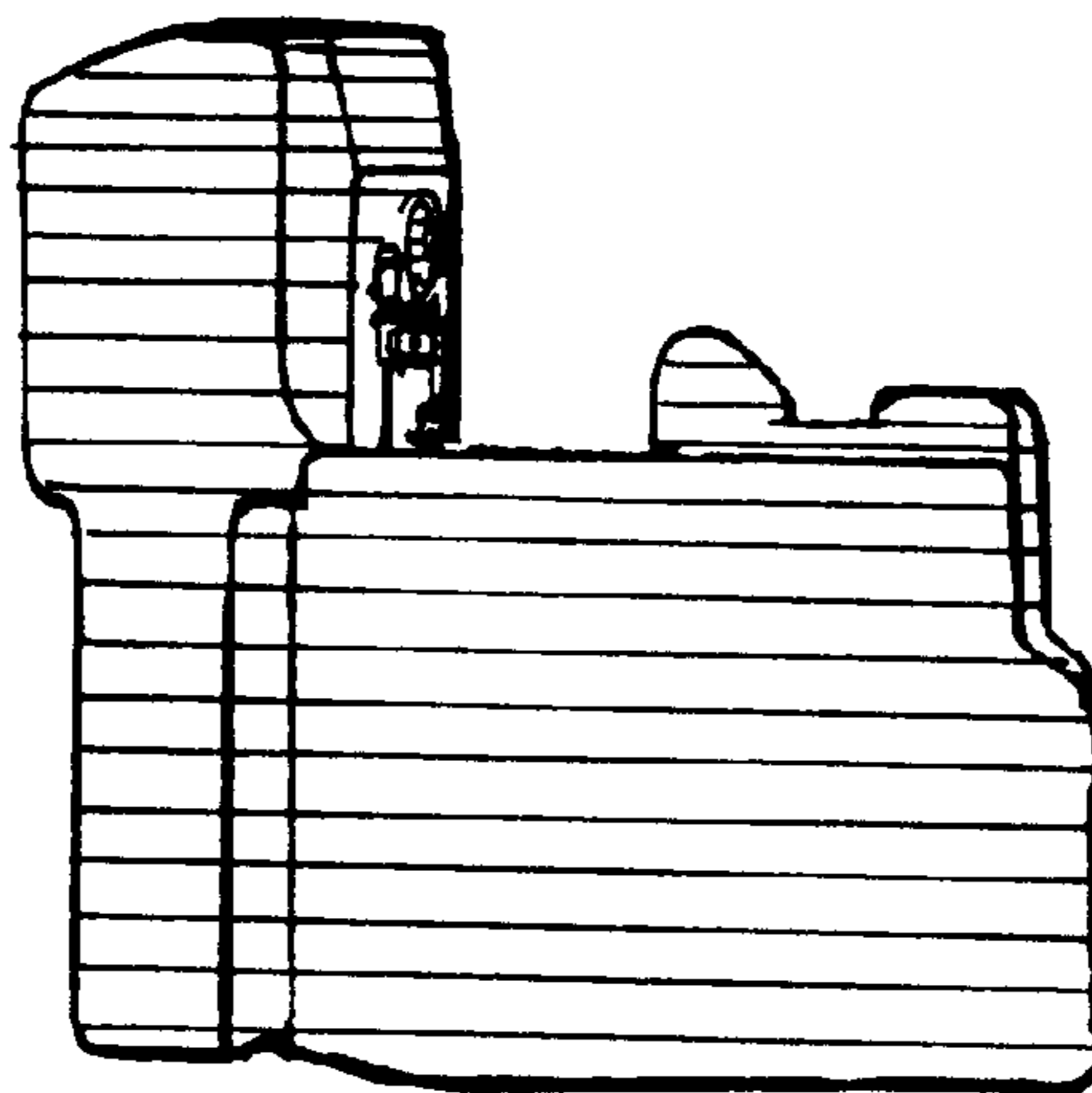


FIG. 29

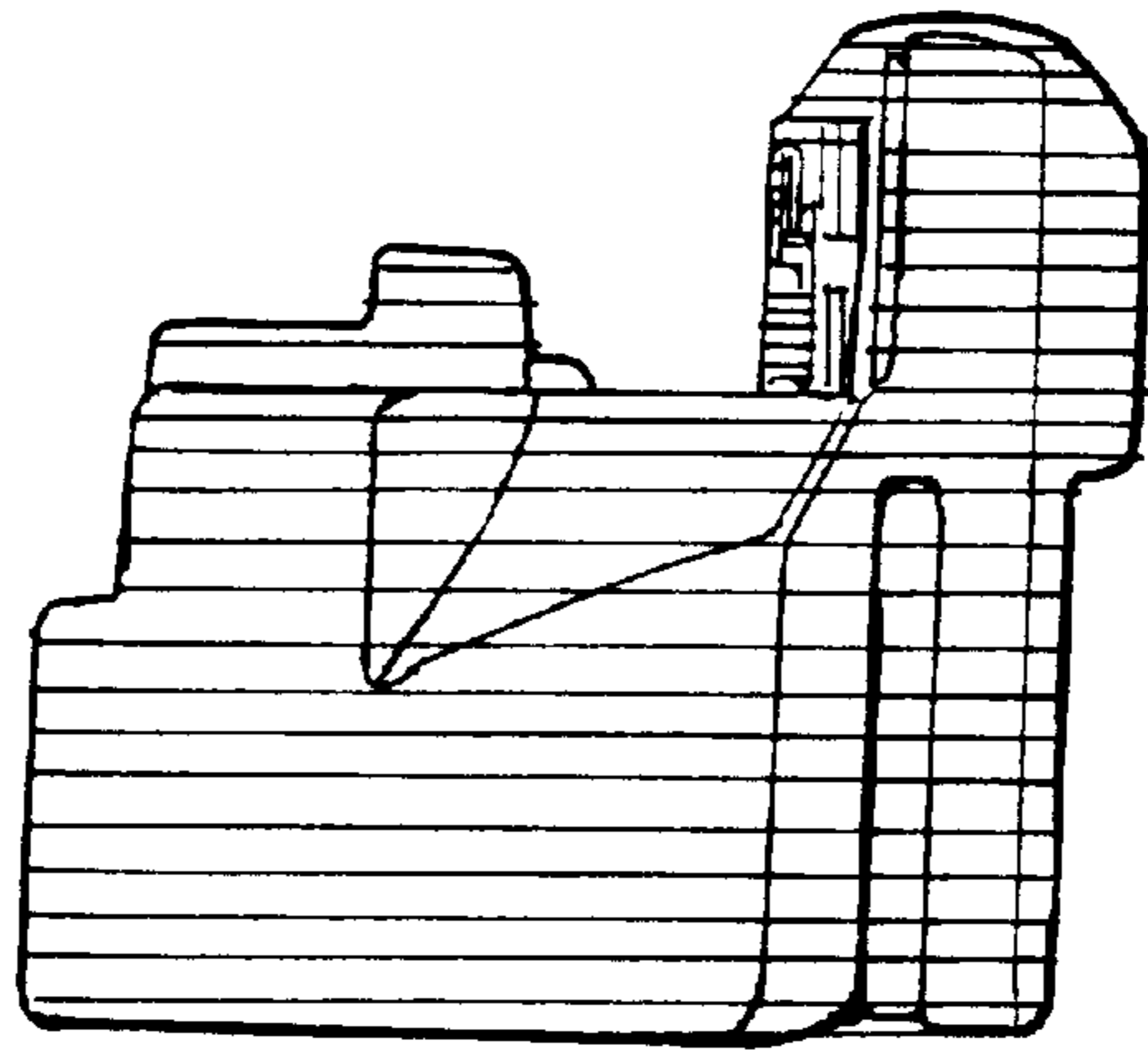


FIG. 30

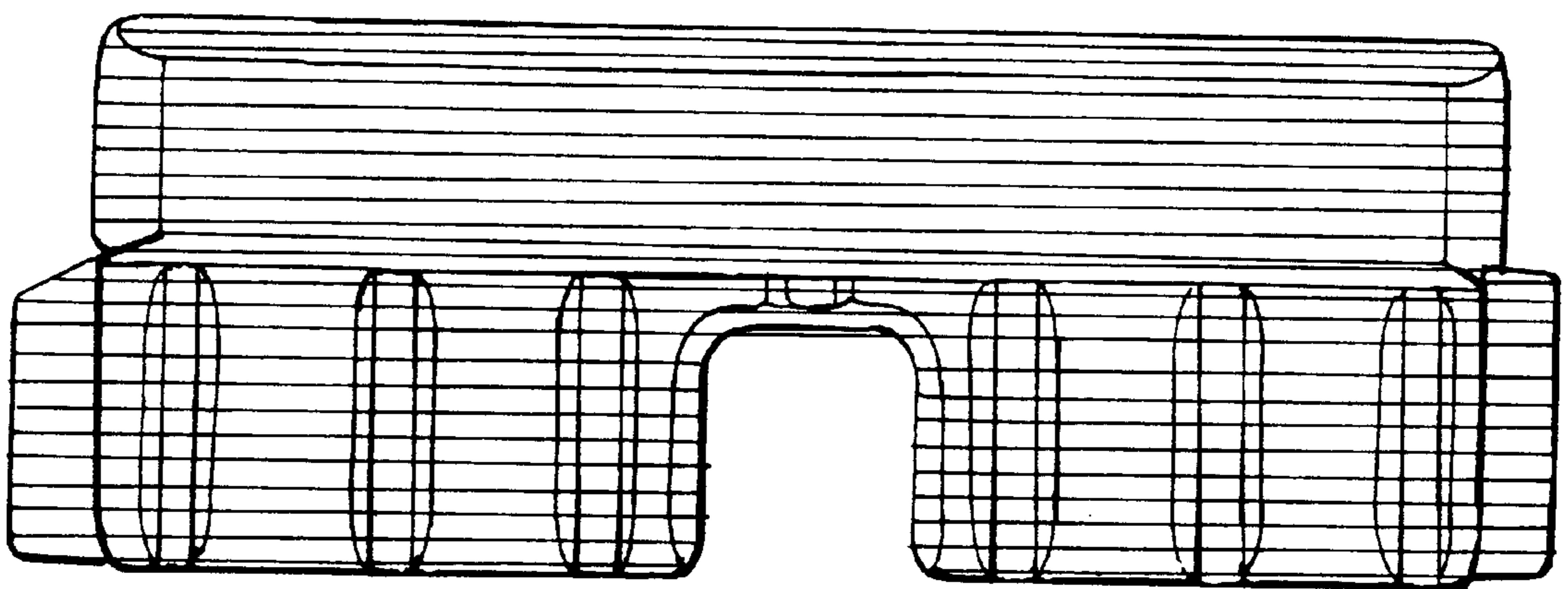


FIG. 31

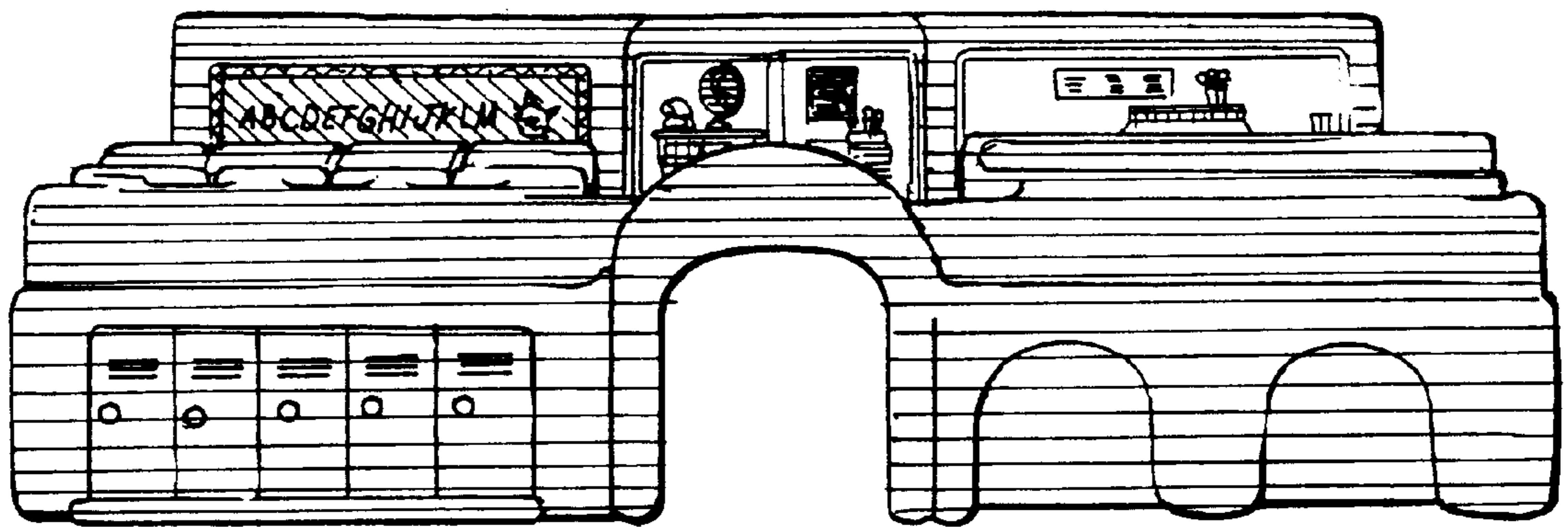


FIG. 32