



US00D409260S

United States Patent [19] Toft

[11] Patent Number: **Des. 409,260**

[45] Date of Patent: **** May 4, 1999**

[54] **TOY BUILDING ELEMENT**

D. 354,529 1/1995 Skov D21/504
3,034,254 5/1962 Christiansen 446/128

[75] Inventor: **Uffe K. Toft**, Aarhus, Denmark

[73] Assignee: **INTERLEGO AG**, Baar, Switzerland

Primary Examiner—Raphael Barkai
Attorney, Agent, or Firm—Kane, Dalsimer, Sullivan,
Kurucz, Levy, Eisele and Richard, LLP

[**] Term: **14 Years**

[57] CLAIM

[21] Appl. No.: **29/094,991**

The ornamental design for a toy building element, as shown and described.

[22] Filed: **Oct. 14, 1998**

[51] **LOC (6) Cl.** **21-01**

[52] **U.S. Cl.** **D21/505**

[58] **Field of Search** D21/484-505;
446/85, 108, 110, 115, 116, 120-125, 128,
118

DESCRIPTION

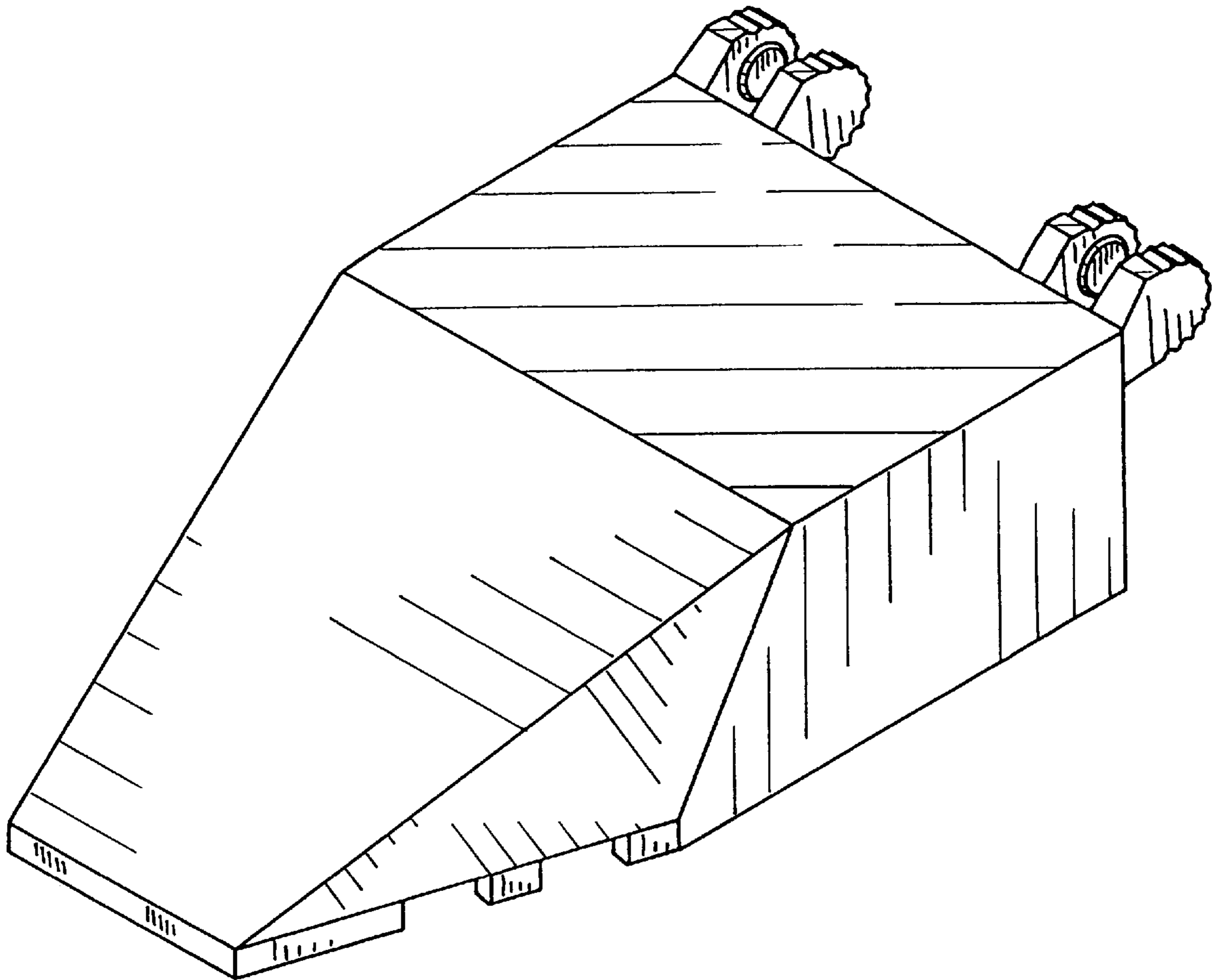
[56] References Cited

U.S. PATENT DOCUMENTS

D. 317,480 6/1991 Skov et al. D21/504
D. 330,056 10/1992 Pagel D21/505
D. 335,154 4/1993 Knudsen D21/504

FIG. 1 is a top perspective view of the toy building element, FIG. 2 is a top plan view thereof, FIG. 3 is a front elevational view thereof, FIG. 4 is a bottom plan view thereof, FIG. 5 is a right side elevational view thereof, FIG. 6 is a left side elevational view thereof, FIG. 7 is rear elevational view thereof; and, FIG. 8 is a bottom perspective view thereof.

1 Claim, 3 Drawing Sheets



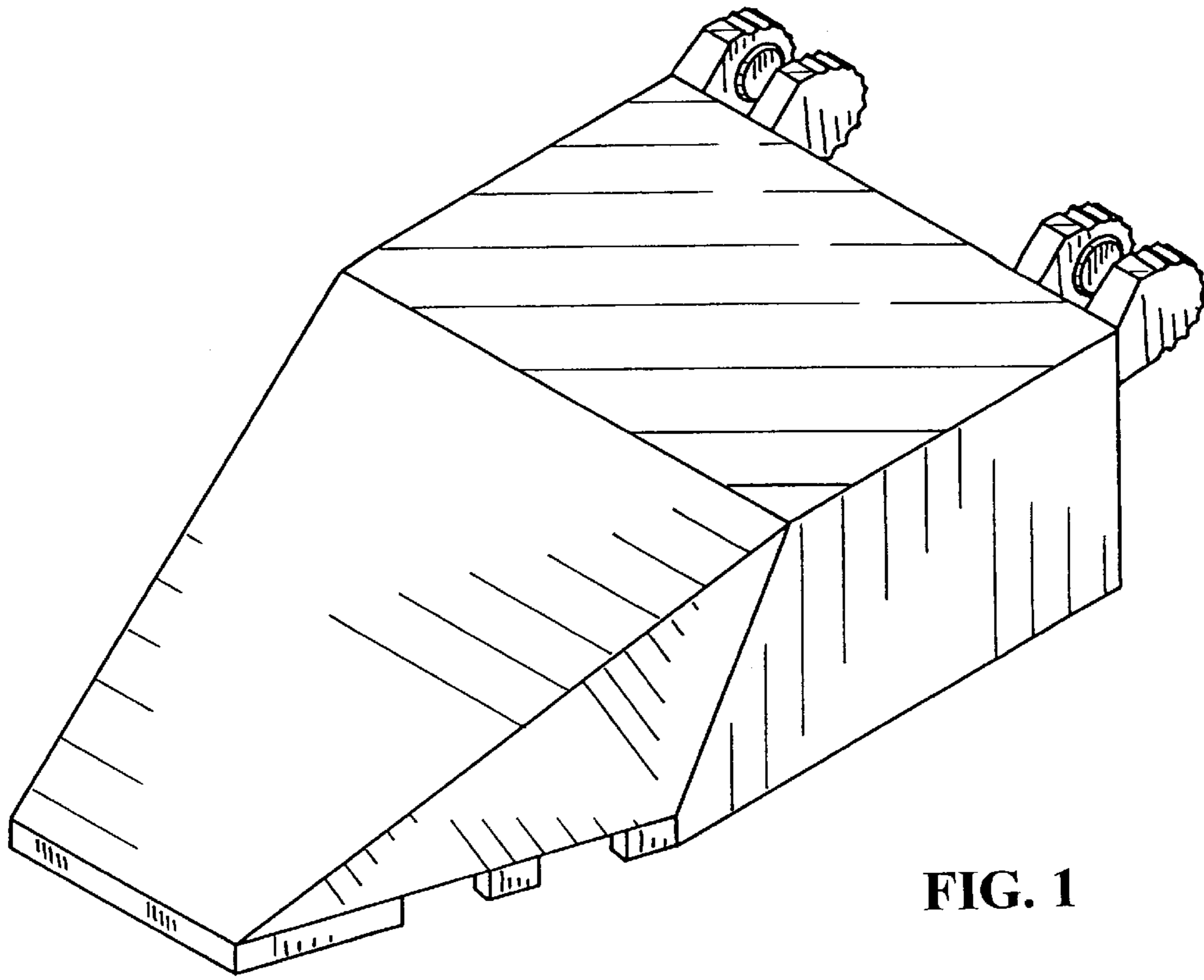


FIG. 1

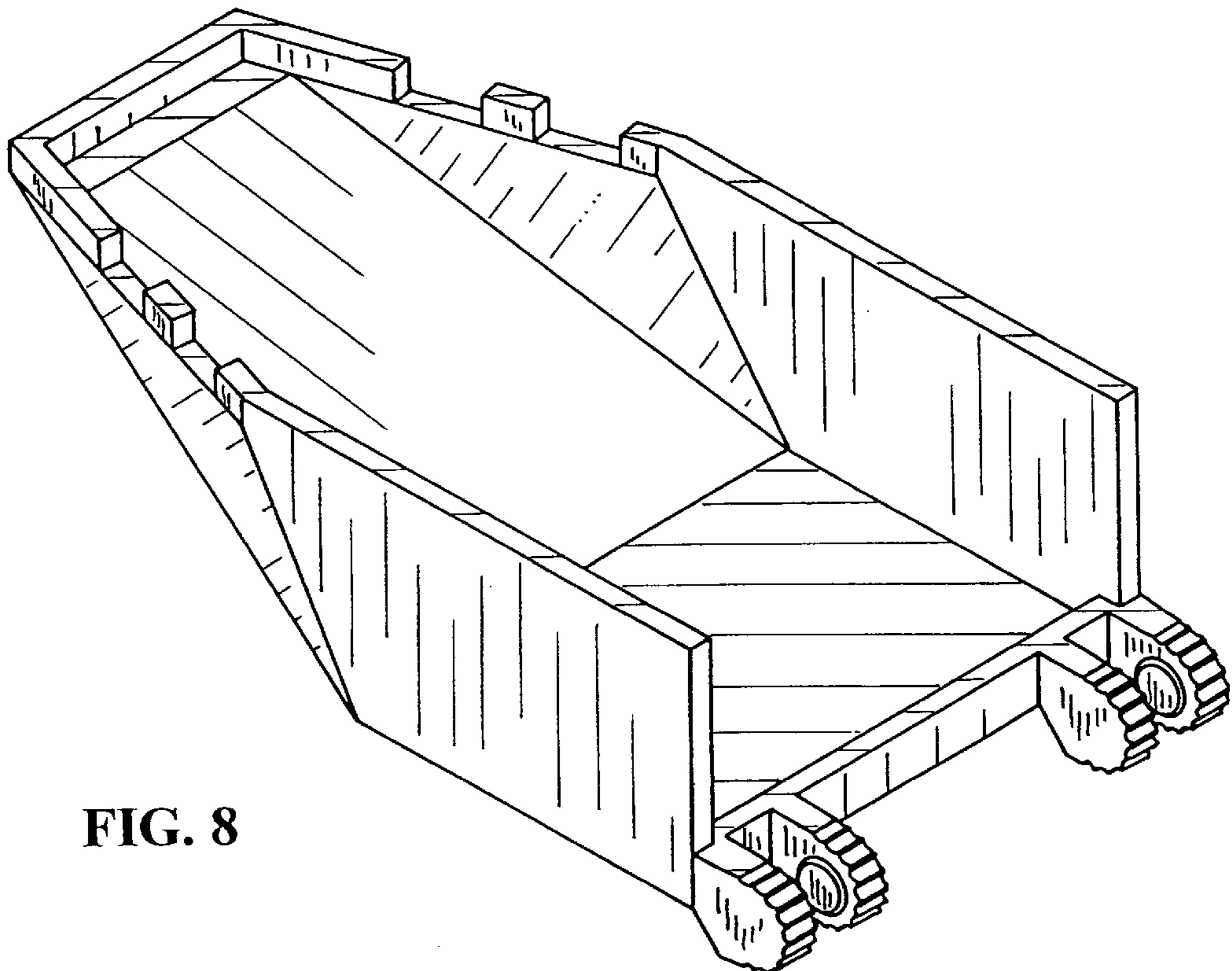


FIG. 8

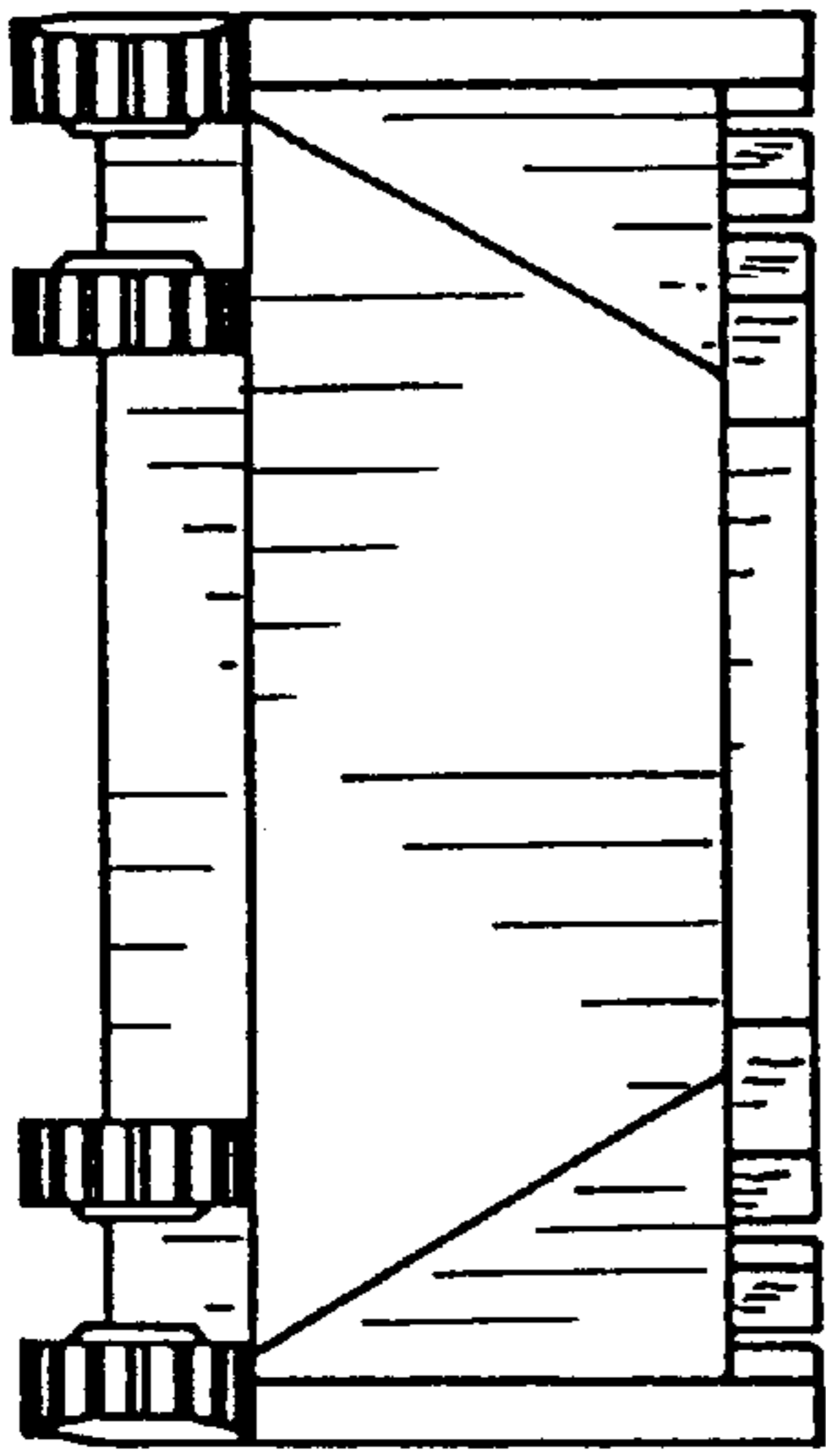


FIG. 7

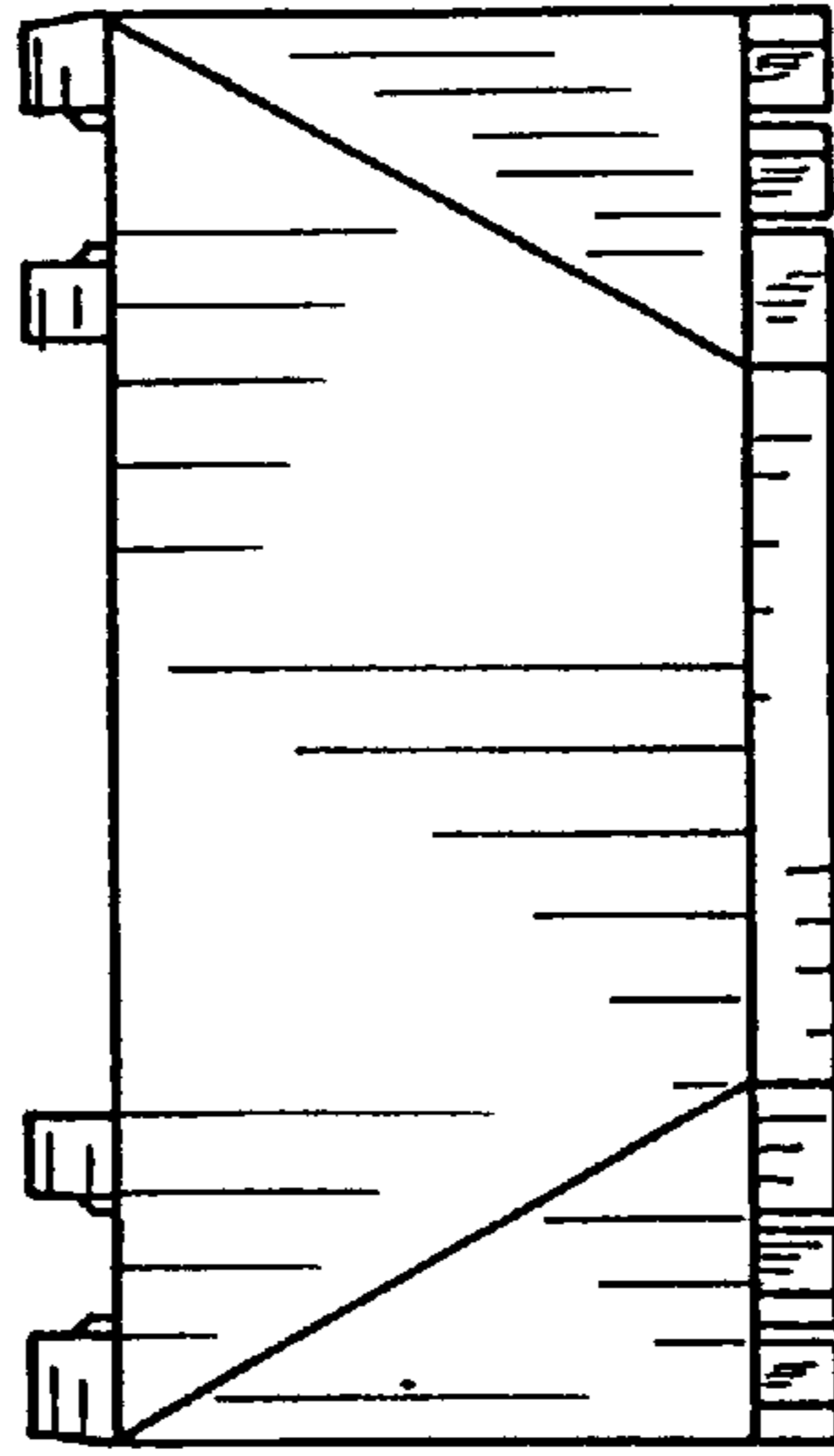


FIG. 3

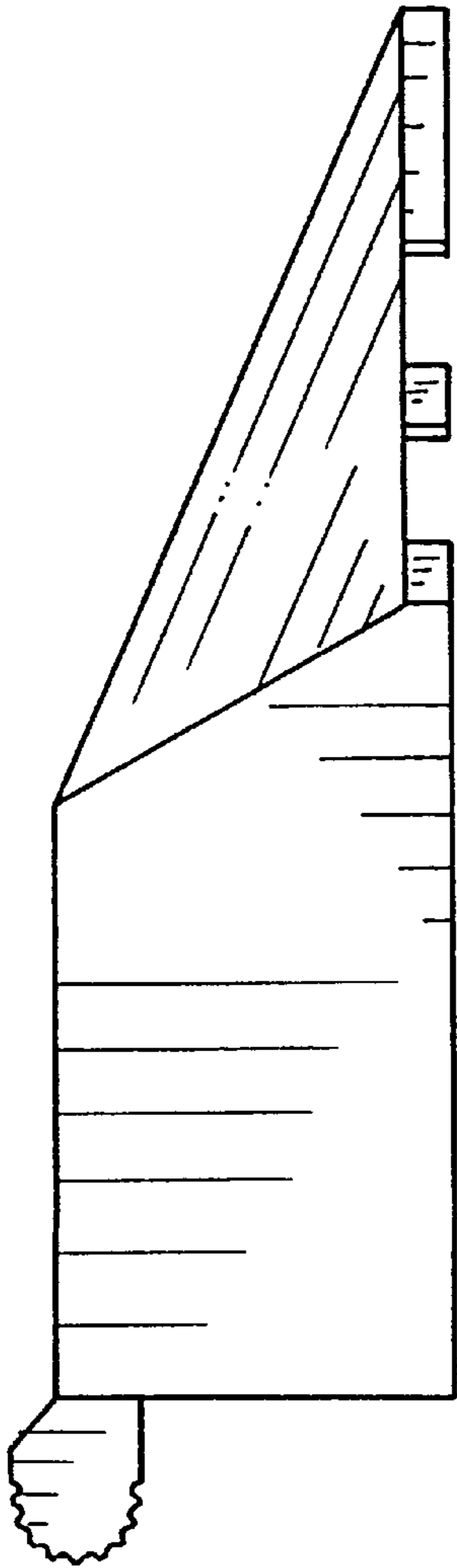


FIG. 5

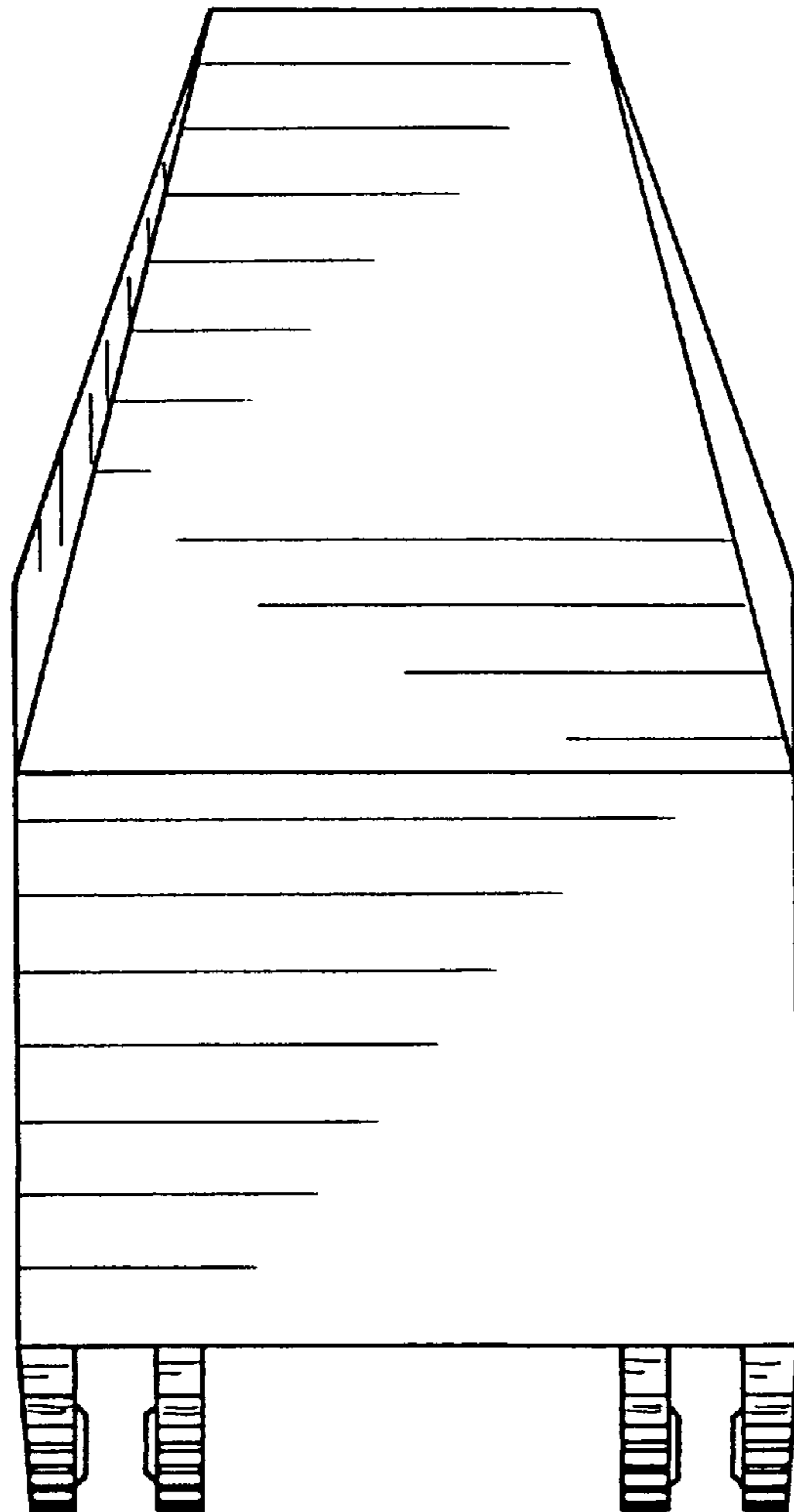


FIG. 2

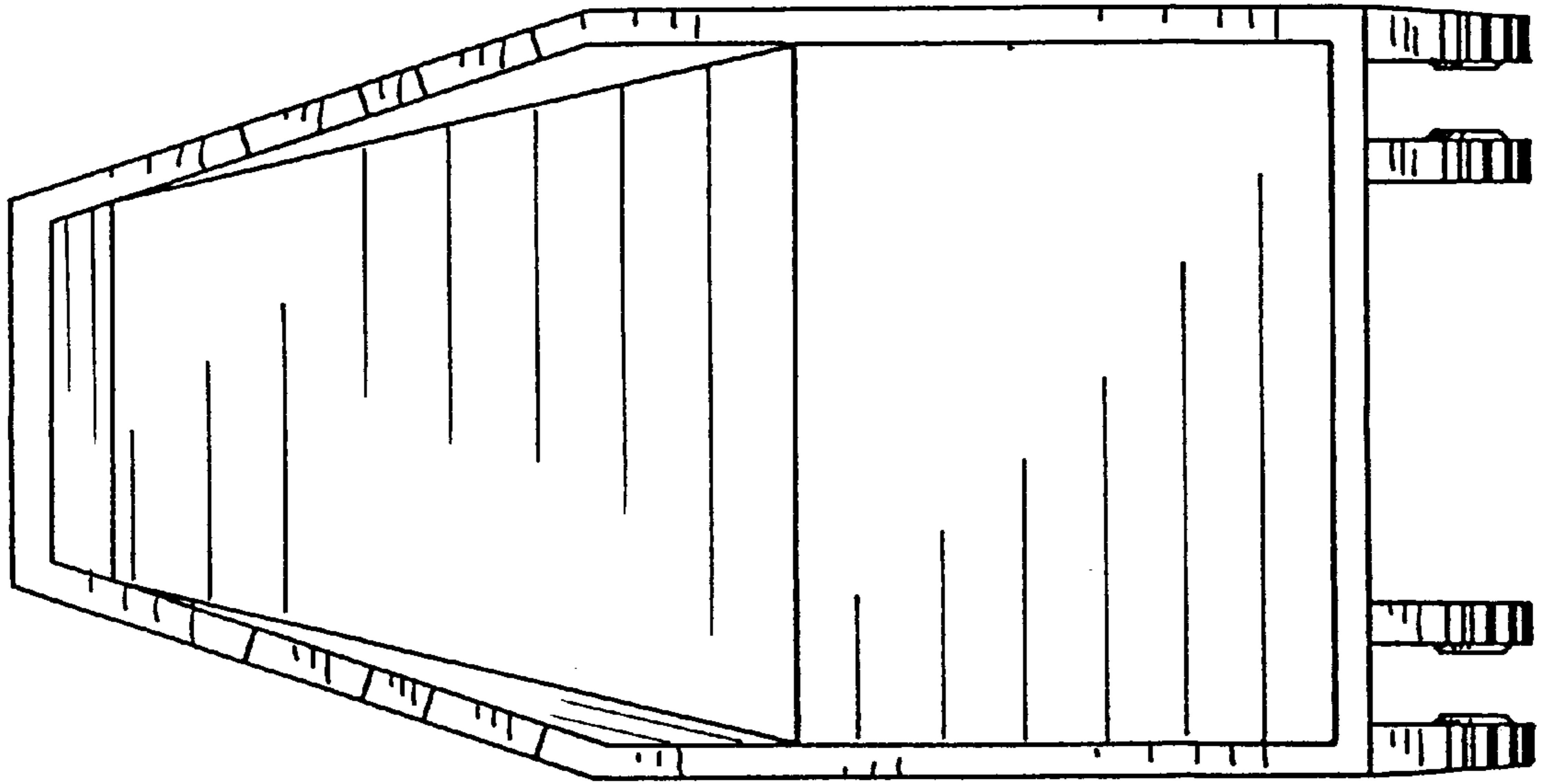


FIG. 4

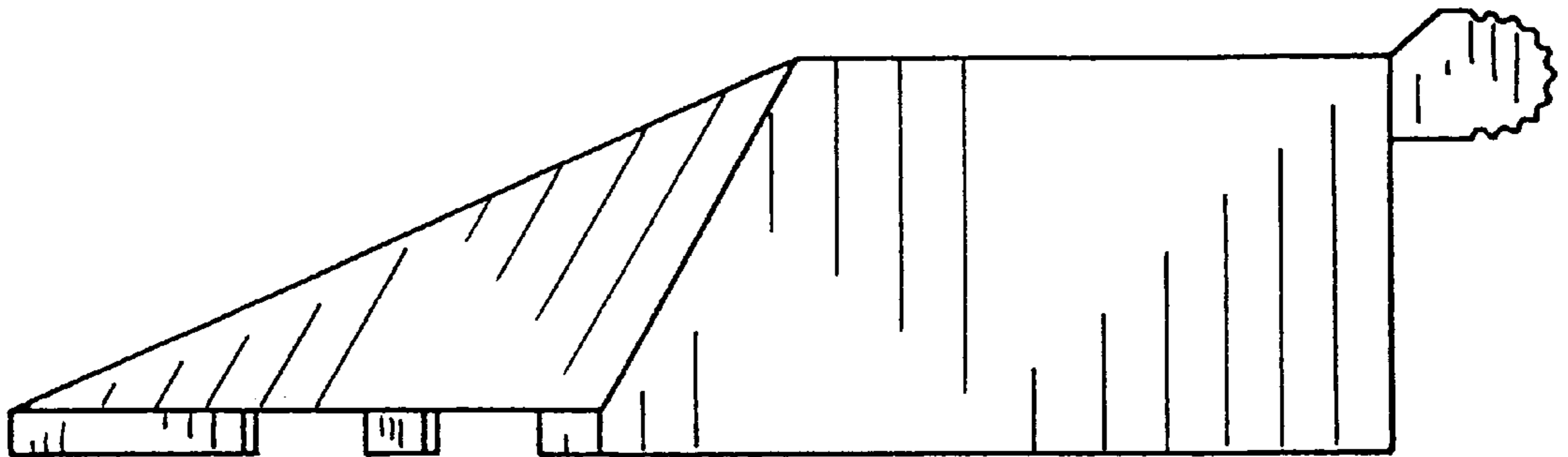


FIG. 6