



US00D409258S

United States Patent [19] Toft

[11] Patent Number: Des. 409,258

[45] Date of Patent: ** May 4, 1999

[54] TOY BUILDING ELEMENT

[75] Inventor: Uffe K. Toft, Aarhus, Denmark

[73] Assignee: INTERLEGO AG, Baar, Switzerland

[**] Term: 14 Years

[21] Appl. No.: 29/094,992

[22] Filed: Oct. 14, 1998

[51] LOC (6) Cl. 21-01

[52] U.S. Cl. D21/498

[58] Field of Search D21/484-505;
446/85, 102, 110, 108, 117, 120-125, 128

[56] **References Cited**

U.S. PATENT DOCUMENTS

D. 197,655	3/1964	Kuhn	D21/498
D. 214,801	7/1969	Adolph	D21/503
D. 241,054	8/1976	Fortier	D21/498
D. 243,204	1/1977	Molenaar	D21/498
D. 260,662	9/1981	Hida	D21/498
D. 377,061	12/1996	Gabriel	D21/498

D. 380,788	7/1997	Gabriel	D21/498
3,866,348	2/1975	Roby et al.	446/121
4,106,657	8/1978	Dogliotti	446/121
5,645,464	7/1997	Chen	446/120

Primary Examiner—Raphael Barkai
Attorney, Agent, or Firm—Kane, Dalsimer, Sullivan,
Kurucz, Levy, Eisele and Richard, LLP

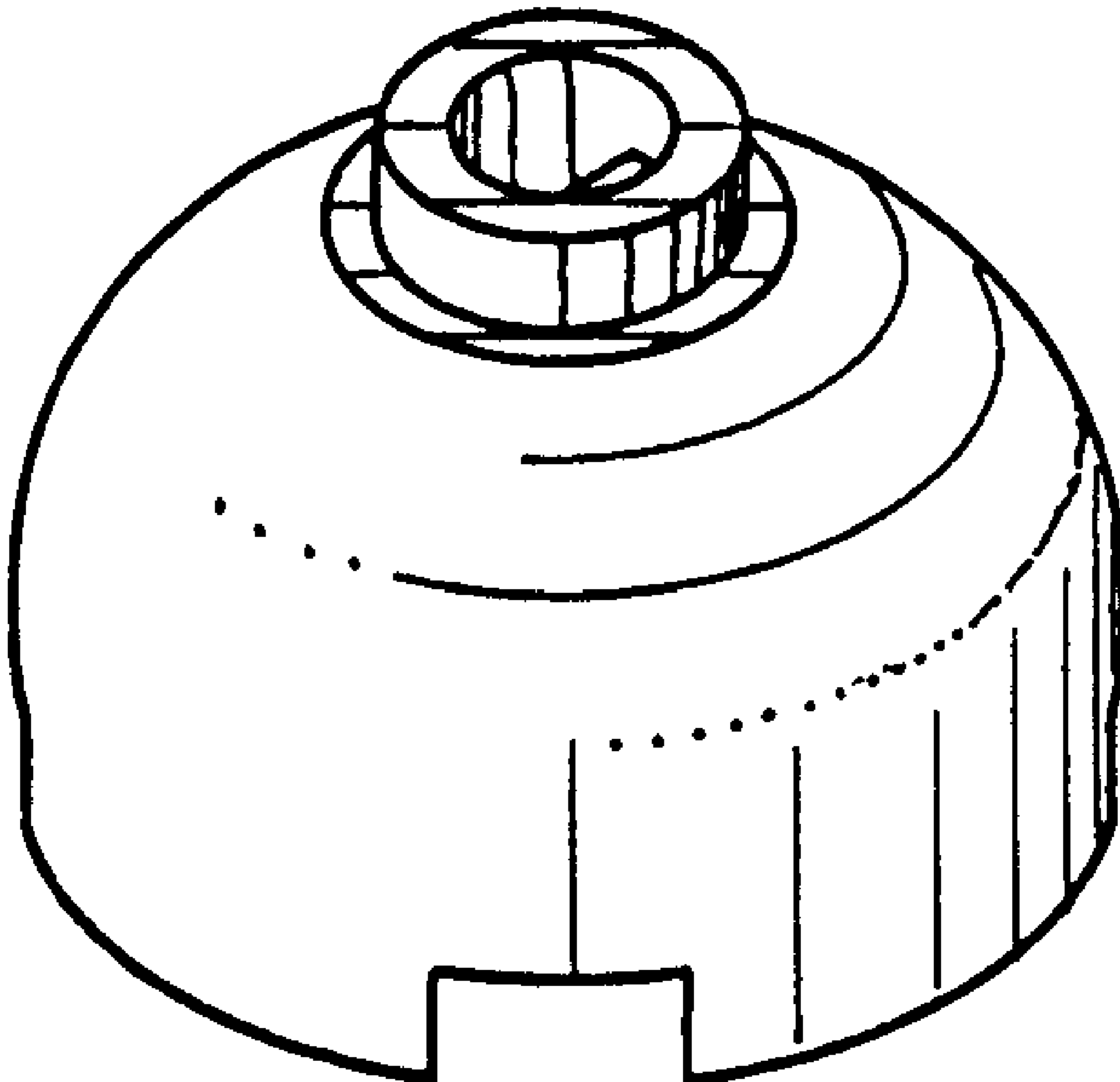
[57] **CLAIM**

The ornamental design for a toy building element, as shown and described.

DESCRIPTION

FIG. 1 is a top perspective view of the toy building element, FIG. 2 is a top plan view thereof, FIG. 3 is a front elevational view thereof, FIG. 4 is a bottom plan view thereof, FIG. 5 is a right side elevational view thereof, FIG. 6 is a left side elevational view thereof, FIG. 7 is rear elevational view thereof; and, FIG. 8 is a bottom perspective view thereof.

1 Claim, 1 Drawing Sheet



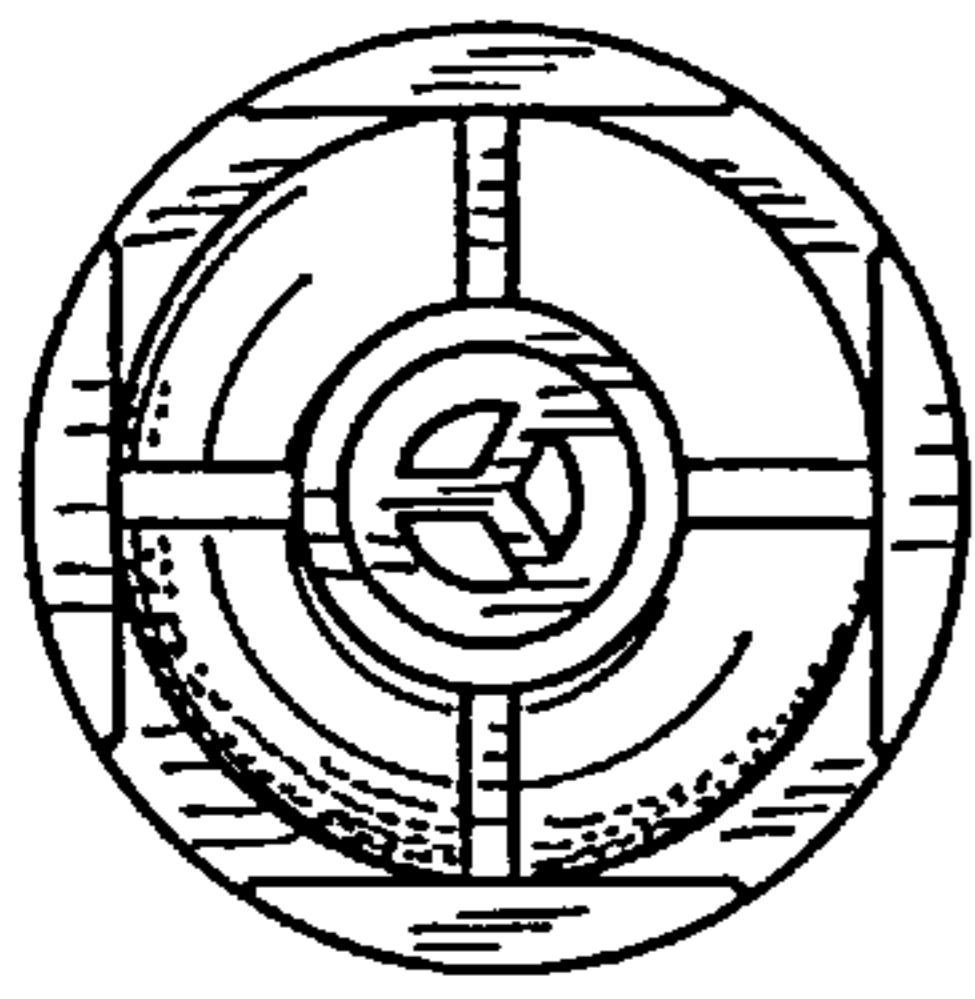


FIG. 4

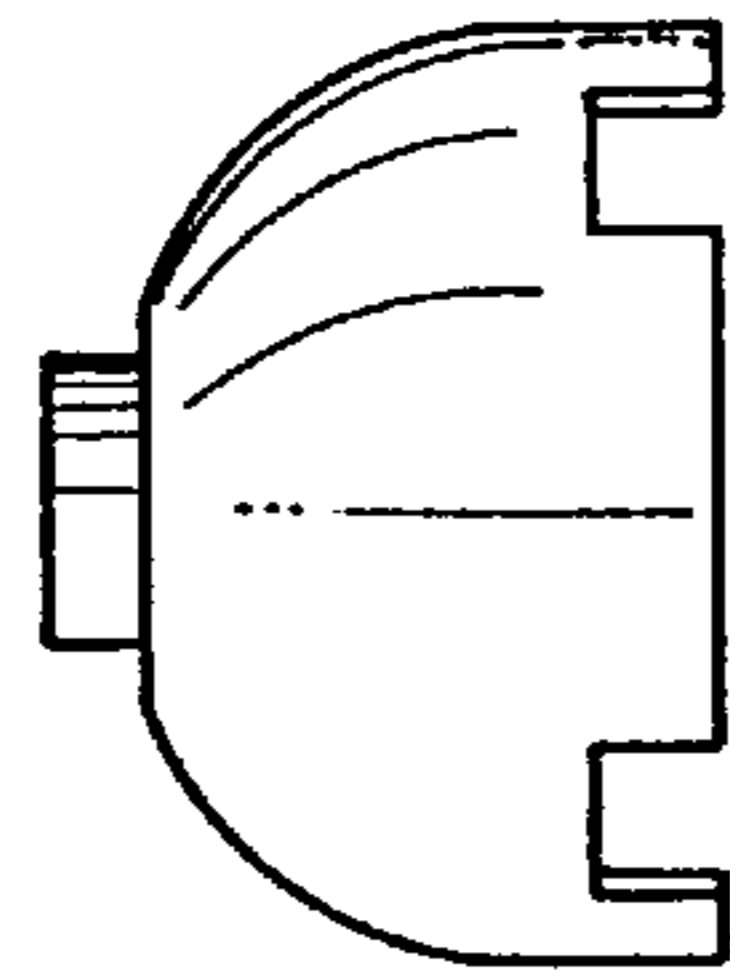


FIG. 5

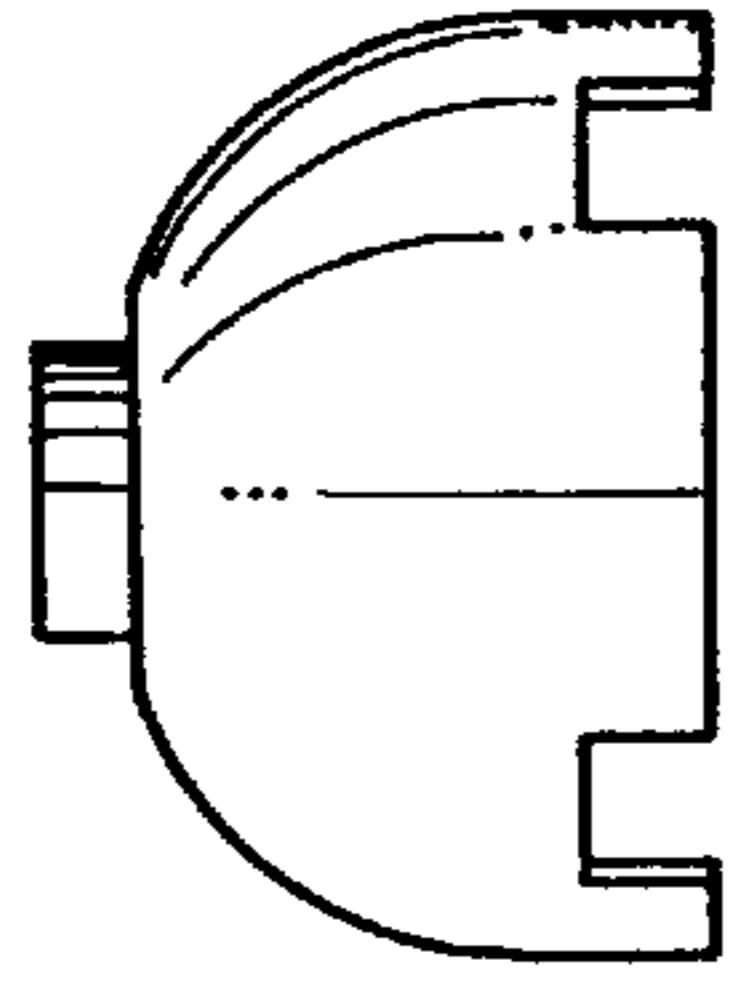


FIG. 3

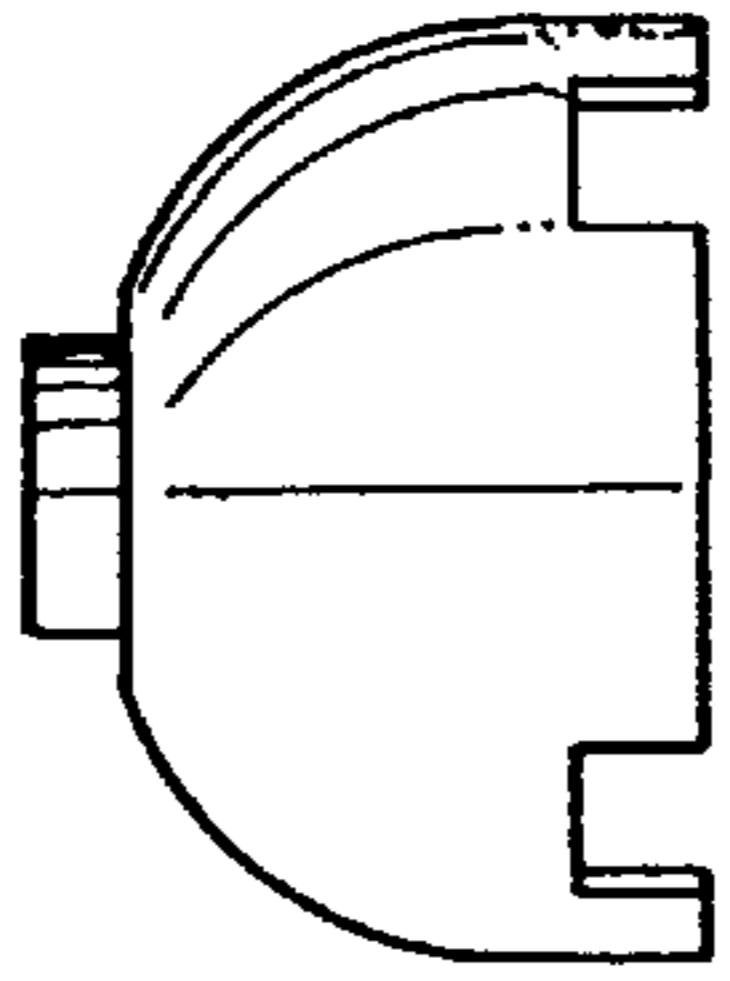


FIG. 6

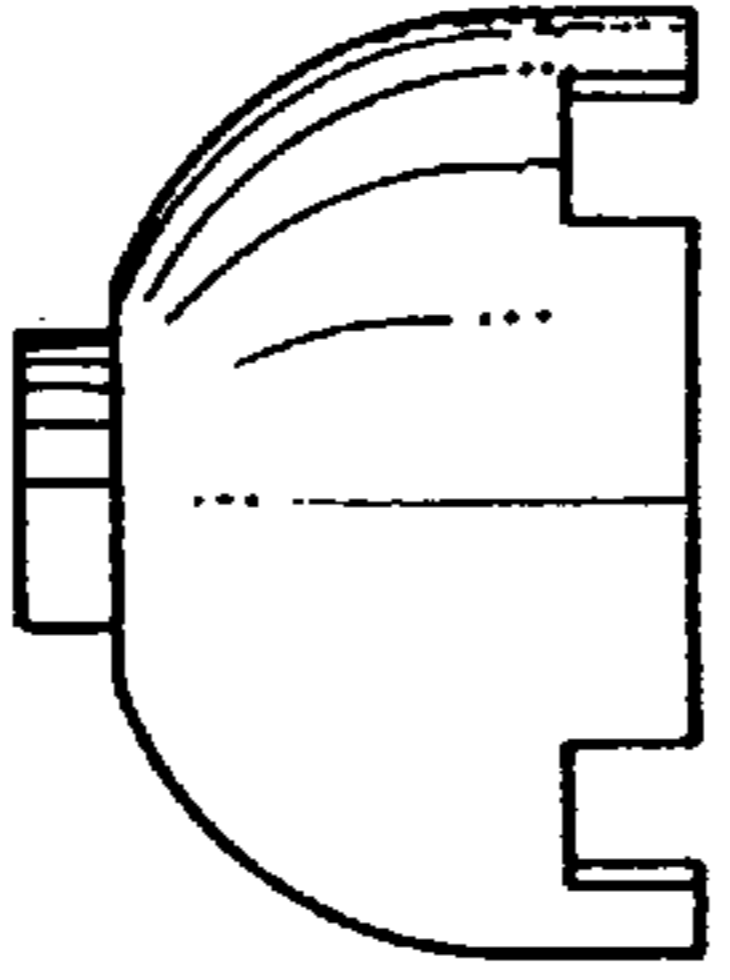


FIG. 7

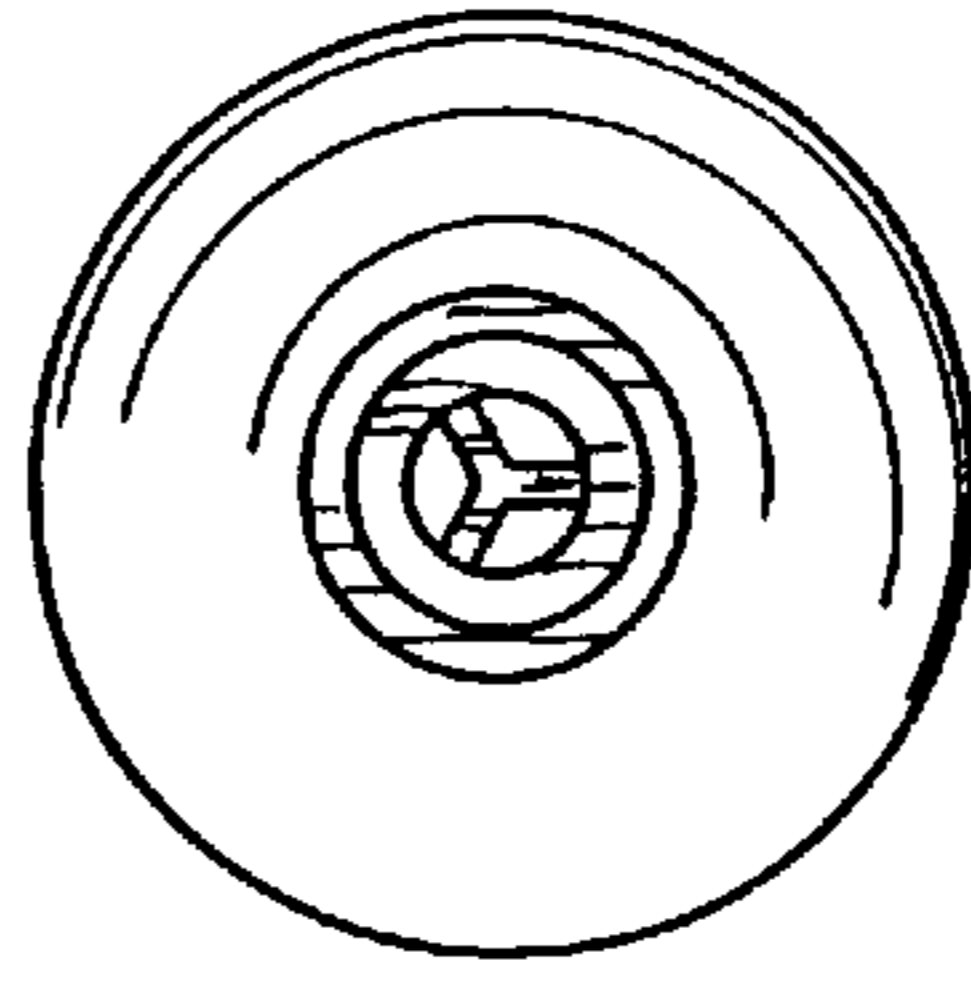


FIG. 2

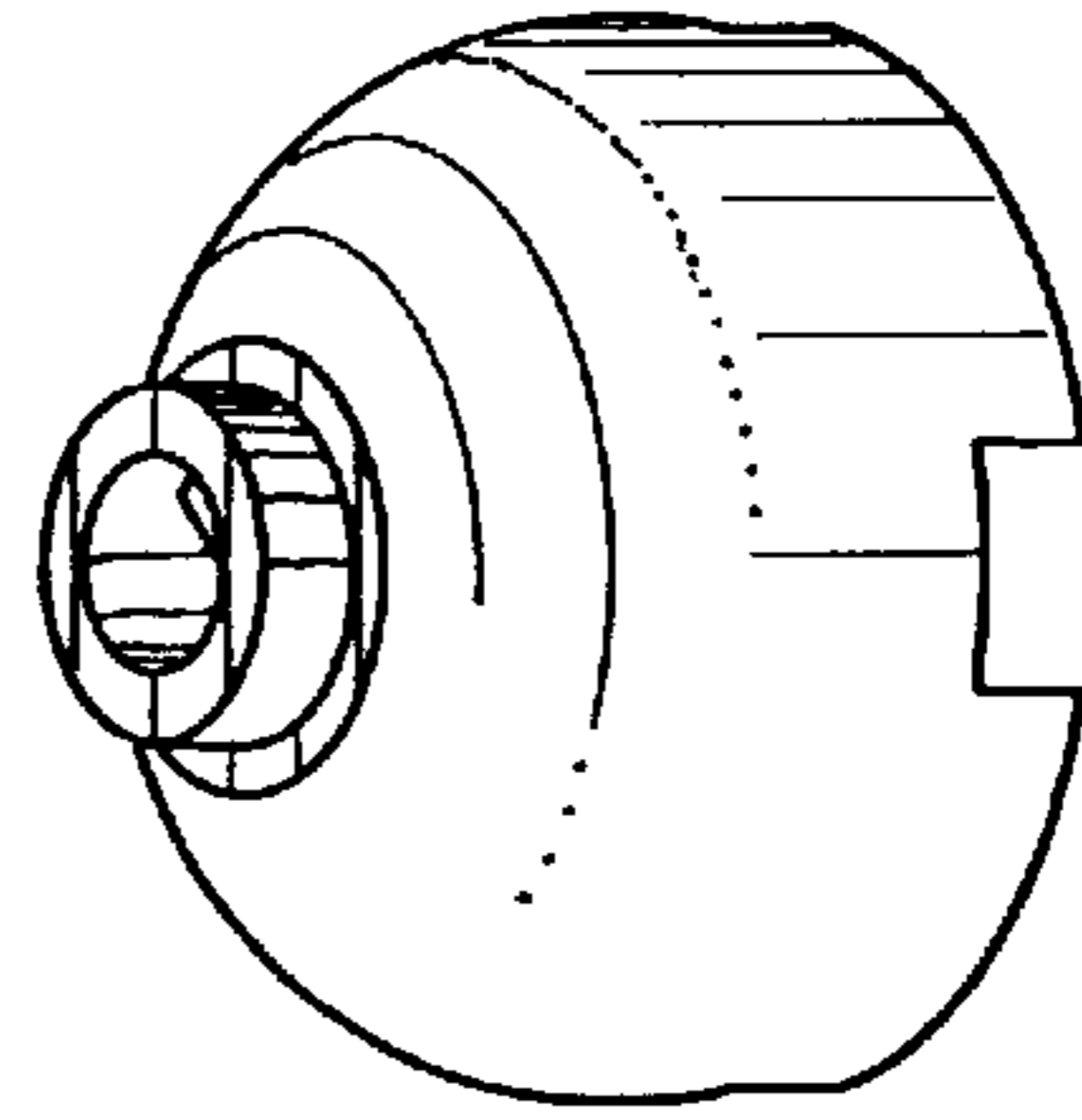


FIG. 1

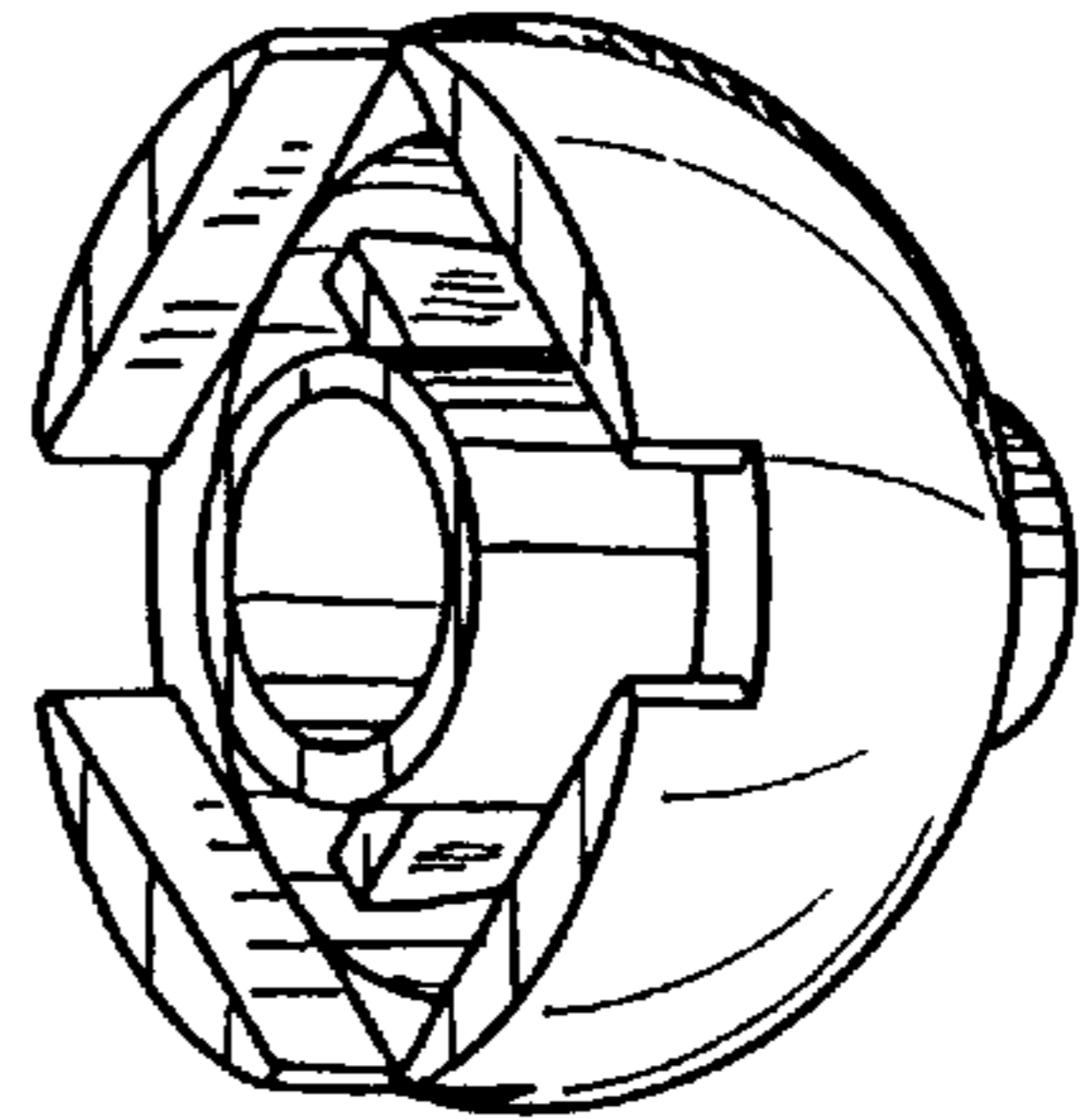


FIG. 8