



US00D409257S

United States Patent [19] Toft

[11] **Patent Number: Des. 409,257**

[45] **Date of Patent: ** May 4, 1999**

[54] **TOY BUILDING ELEMENT**

5,310,376 5/1994 Mayuzumi et al. 446/107
5,788,555 8/1998 Glynn 446/128

[75] Inventor: **Uffe K. Toft**, Aarhus, Denmark

OTHER PUBLICATIONS

[73] Assignee: **INTERLEGO AG**, Baar, Switzerland

Lego Catalog, p. 43, #5108, Jan. 1997.

[**] Term: **14 Years**

Primary Examiner—Raphael Barkai
Attorney, Agent, or Firm—Kane, Dalsimer, Sullivan, Kurucz,
Levy, Eisele and Richard, LLP

[21] Appl. No.: **29/094,997**

[22] Filed: **Oct. 14, 1998**

[57] CLAIM

[51] **LOC (6) Cl.** **21-01**

The ornamental design for a toy building element, as shown and described.

[52] **U.S. Cl.** **D21/487**

[58] **Field of Search** D21/484-505,
D21/561; 446/85, 88, 93-96, 102-104,
107, 120-125, 128

DESCRIPTION

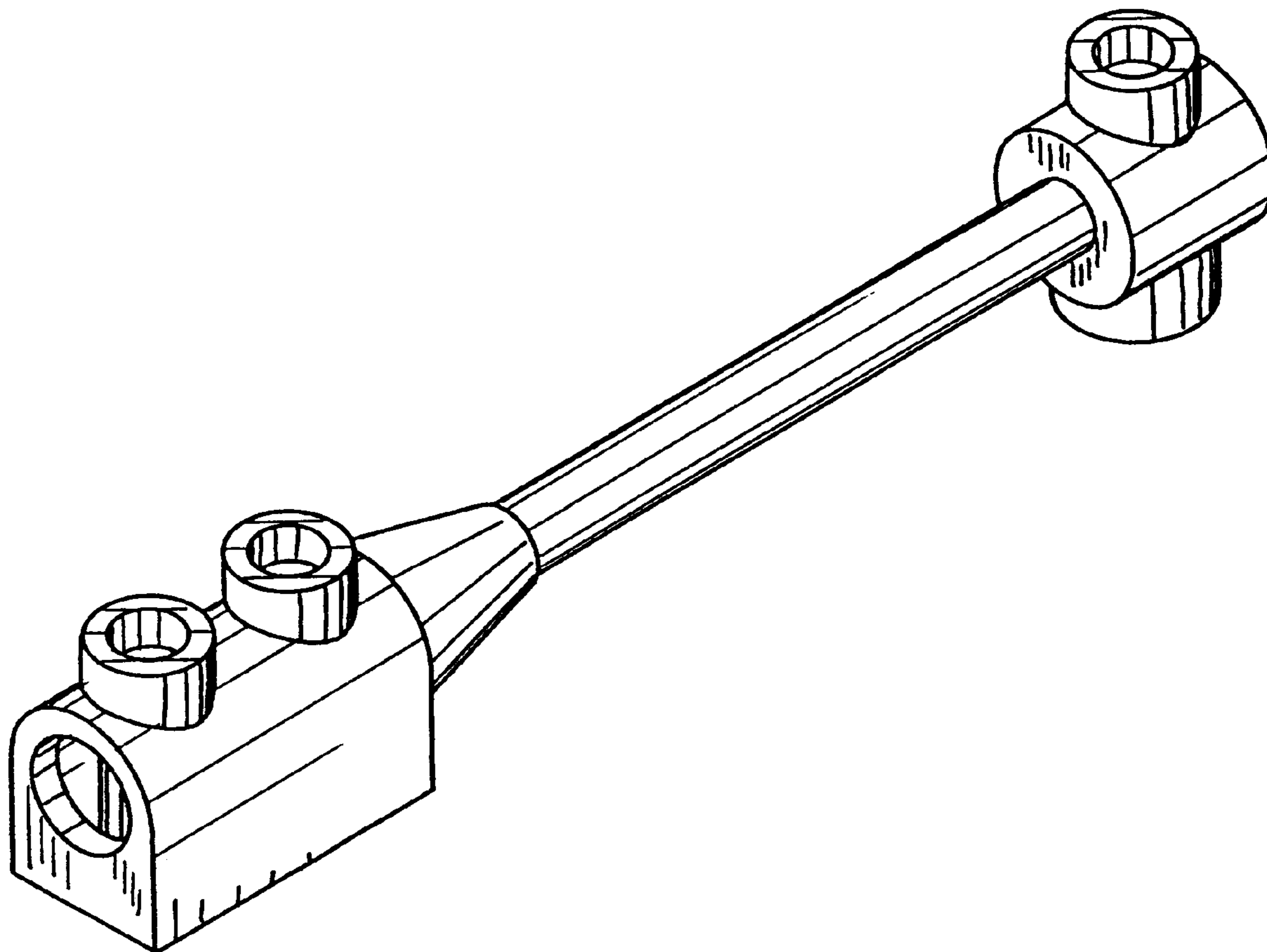
[56] References Cited

U.S. PATENT DOCUMENTS

D. 334,036 3/1993 Olsen D21/486
D. 334,953 4/1993 Kawahara et al. D21/487
D. 372,055 7/1996 Hrsel D21/487
1,661,687 3/1928 Benjamin 446/123
3,233,358 2/1966 Dehm 446/102

FIG. 1 is a top perspective view of the toy building element, FIG. 2 is a top plan view thereof, FIG. 3 is a front elevational view thereof, FIG. 4 is a bottom plan view thereof, FIG. 5 is a right side elevational view thereof, FIG. 6 is a left side elevational view thereof, FIG. 7 is rear elevational view thereof, and, FIG. 8 is a bottom perspective view thereof.

1 Claim, 2 Drawing Sheets



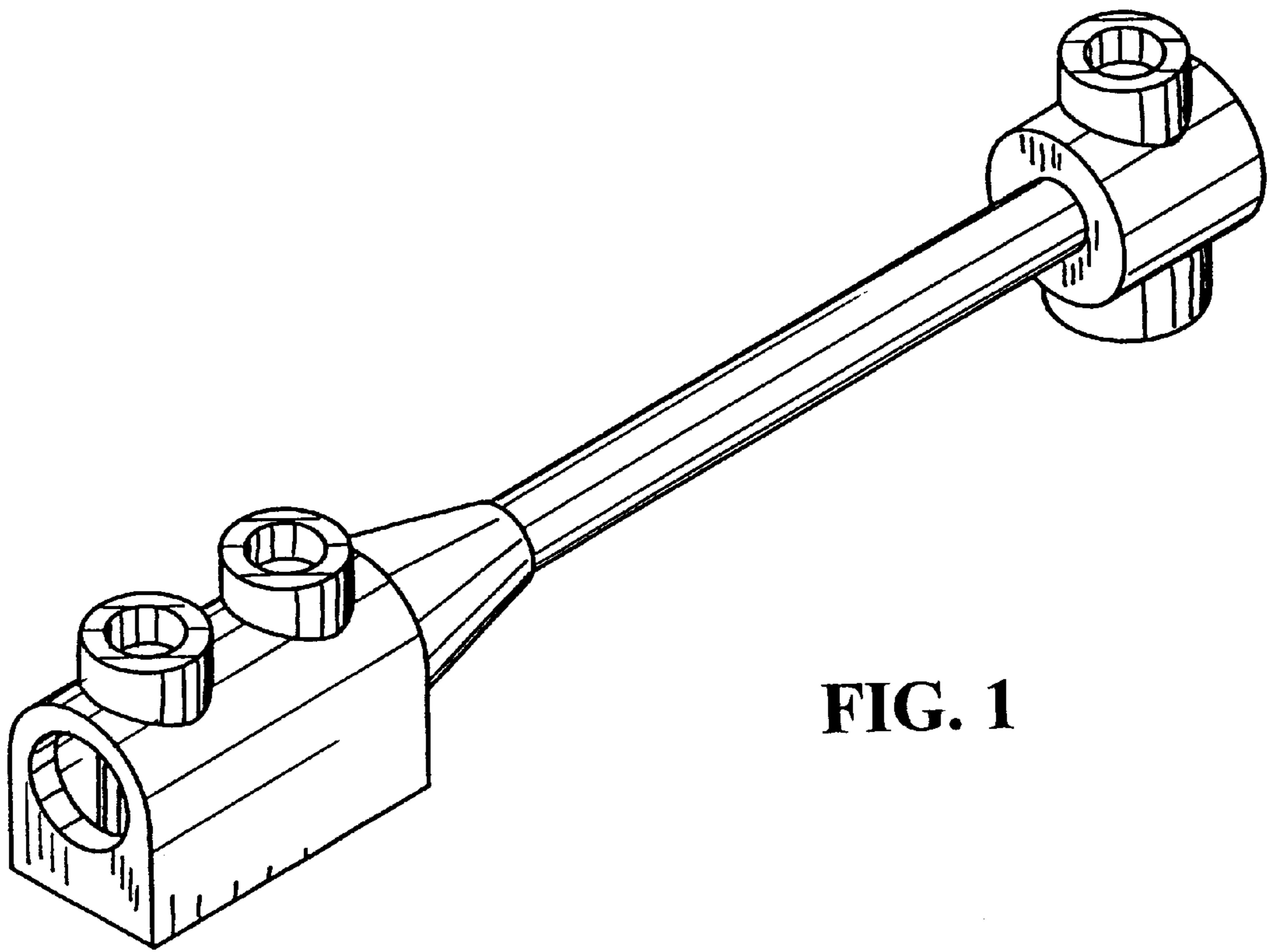


FIG. 1

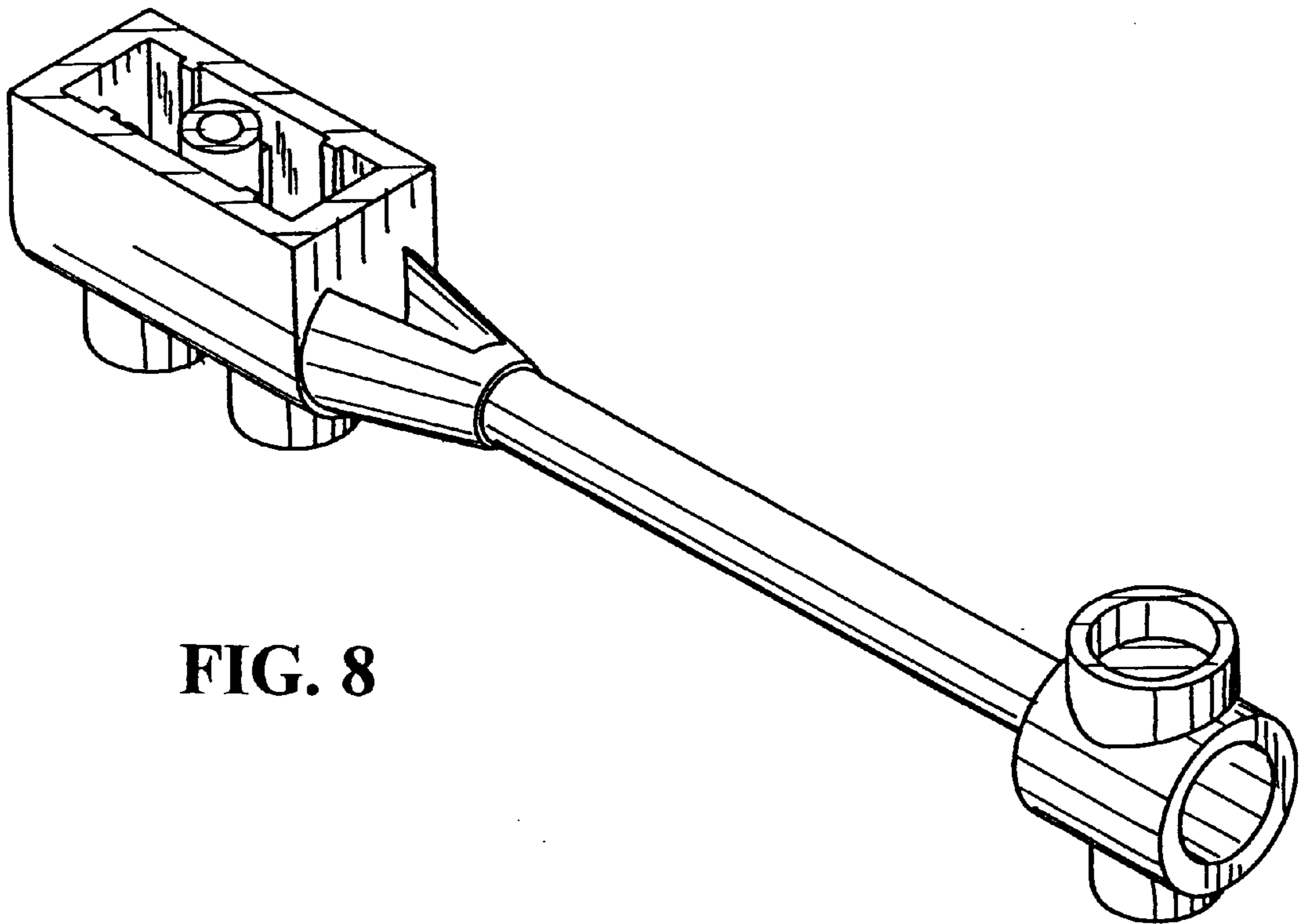


FIG. 8

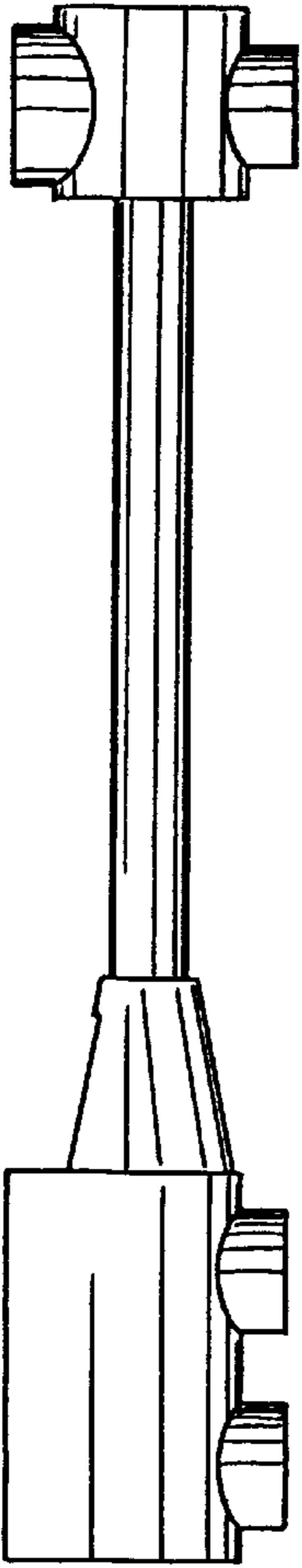


FIG. 5

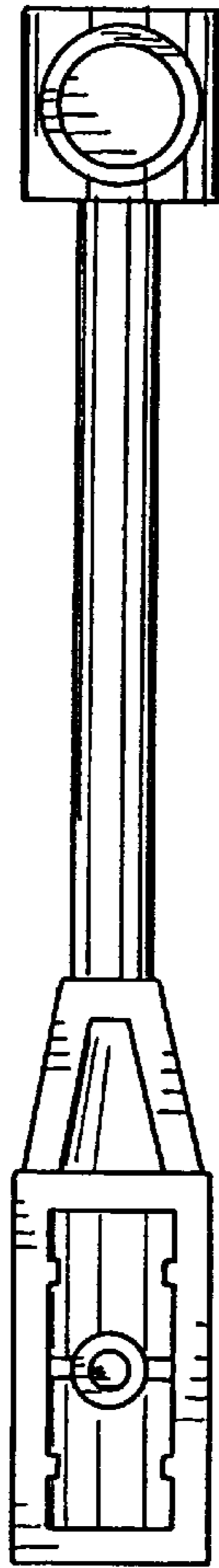


FIG. 4

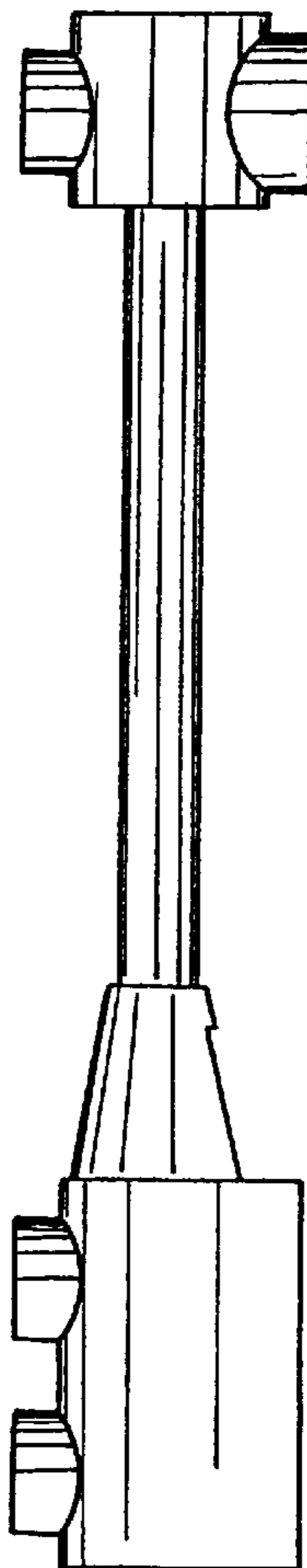


FIG. 6

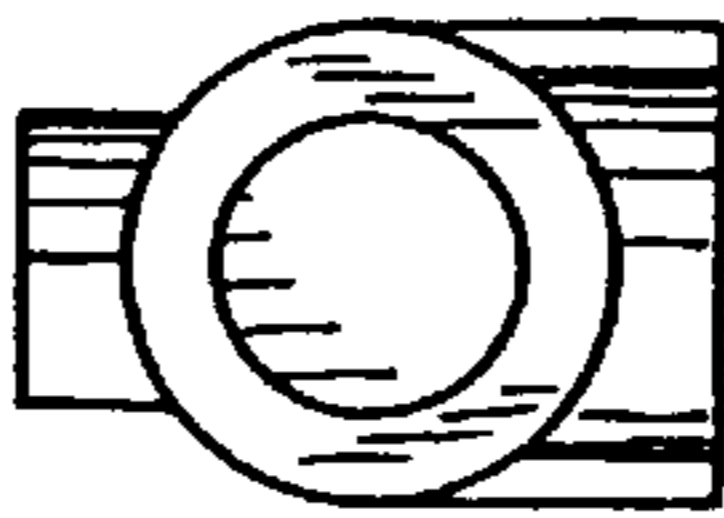


FIG. 7

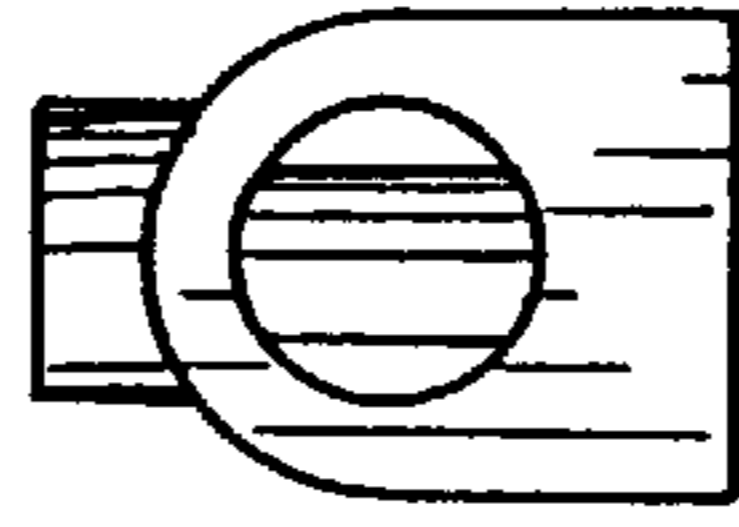


FIG. 3

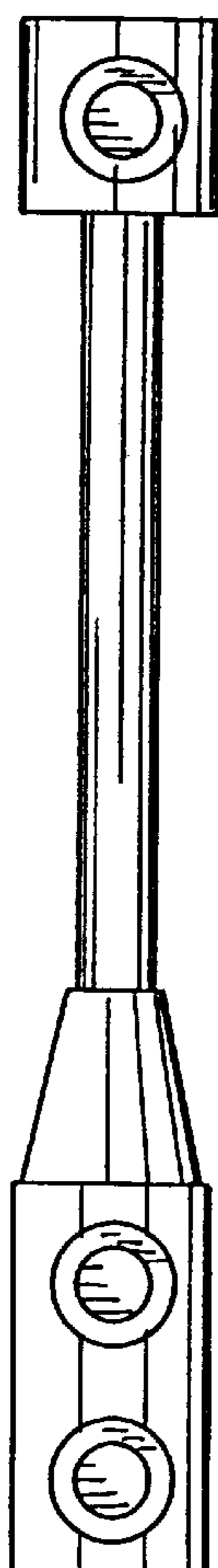


FIG. 2