



US00D409251S

United States Patent [19]

Mok et al.

[11] Patent Number: Des. 409,251

[45] Date of Patent: ** May 4, 1999

[54] GAME STATION

[75] Inventors: **Fai Mok**, West Hills; **Yong Qiao**, Arcadia; **Allen Pu**, Pasadena; **Matt Lazich**, Marina Del Rey; **Rudy Gastelum**, San Pedro; **Sean Lee**, Woodland Hills, all of Calif.

[73] Assignee: **Holoplex, Inc.**, Pasadena, Calif.

[**] Term: **14 Years**

[21] Appl. No.: **29/083,579**

[22] Filed: **Feb. 12, 1998**

[51] LOC (6) Cl. **21-01**

[52] U.S. Cl. **D21/314; D21/302; D21/324**

[58] Field of Search D21/324, 315, D21/314, 313, 722, 302, 780; 273/108.3, 108.31, 108.32, 108.1, 317.2, 317.3, 317.6, 348, 407

[56] References Cited

U.S. PATENT DOCUMENTS

D. 320,415	10/1991	Wikner	D21/315
D. 346,918	5/1994	Faiola	D21/315 X
456,554	7/1891	Cole	273/317.6
856,216	6/1907	Black	273/317.6
968,309	8/1910	Zint	273/317.6
1,286,491	12/1918	Baker et al.	273/317.6
1,606,911	11/1926	Winbigler	273/317.2

1,778,410	10/1930	Young	273/317.6
2,954,232	9/1960	Auer	D21/305 X
3,074,720	1/1963	Carver et al.	D21/305 X
5,064,194	11/1991	Bixler et al.	273/317.6

Primary Examiner—Prabhakar G. Deshmukh
Attorney, Agent, or Firm—Fliesler Dubb Meyer & Lovejoy, LLP

[57] CLAIM

The ornamental design for a game station, as shown and described.

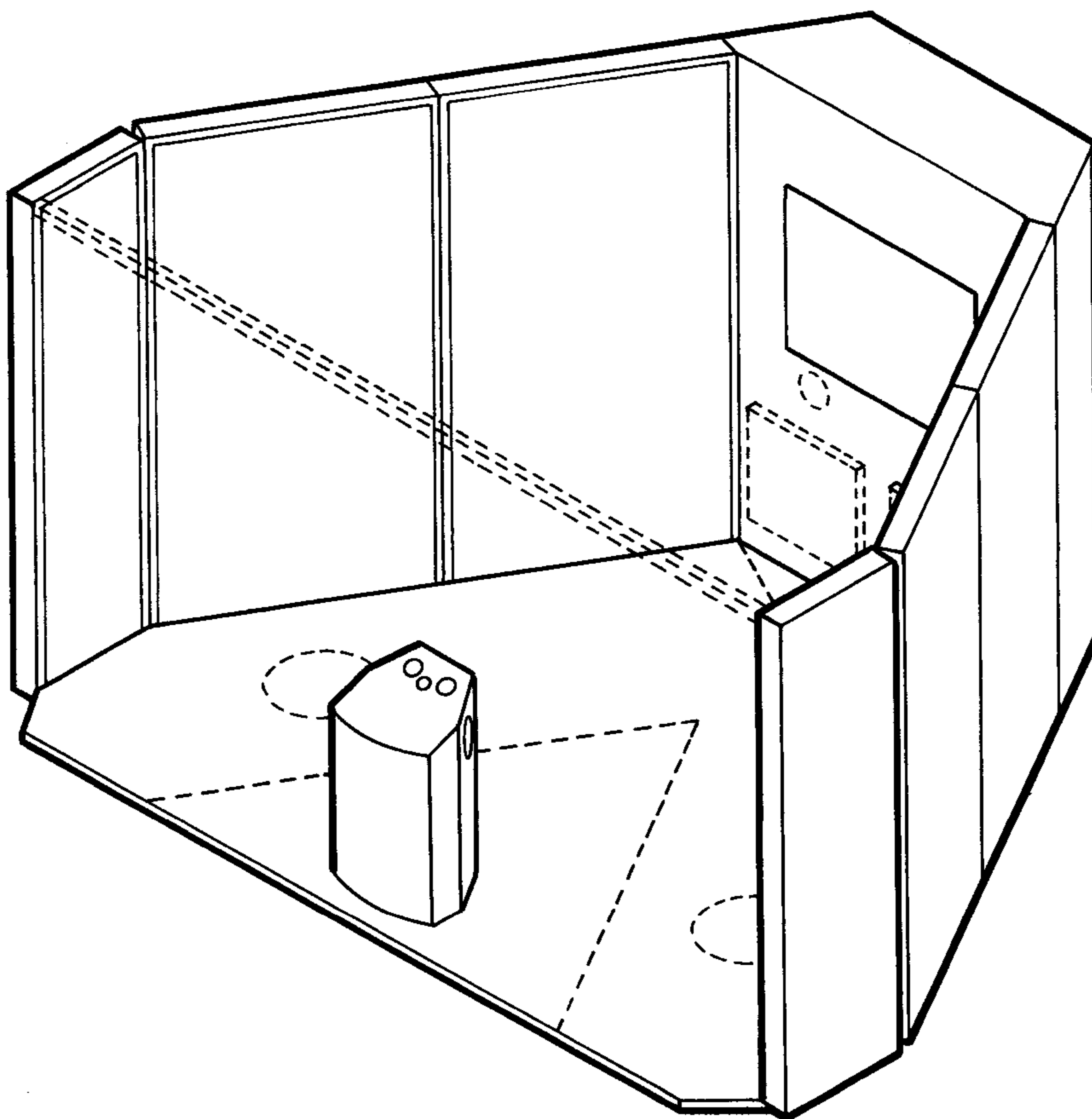
DESCRIPTION

FIG. 1 is a top, front and right side perspective view of our new design for a game station with its canopy removed; FIG. 2 is a top plan view thereof with the canopy removed; FIG. 3 is a top plan view thereof with the canopy; FIG. 4 is a front elevational view thereof with the canopy; FIG. 5 is a left side elevational view thereof with the canopy; FIG. 6 is a rear side elevational view thereof with the canopy; FIG. 7 is a sectional elevational view thereof taken along line 7—7 of FIG. 2 and, FIG. 8 is a sectional elevational view thereof taken along line 8—8 of FIG. 2.

The broken lines are shown for illustrative purpose only and forms no part of the claim.

FIGS. 3—8 are drawn in smaller scale.

1 Claim, 5 Drawing Sheets



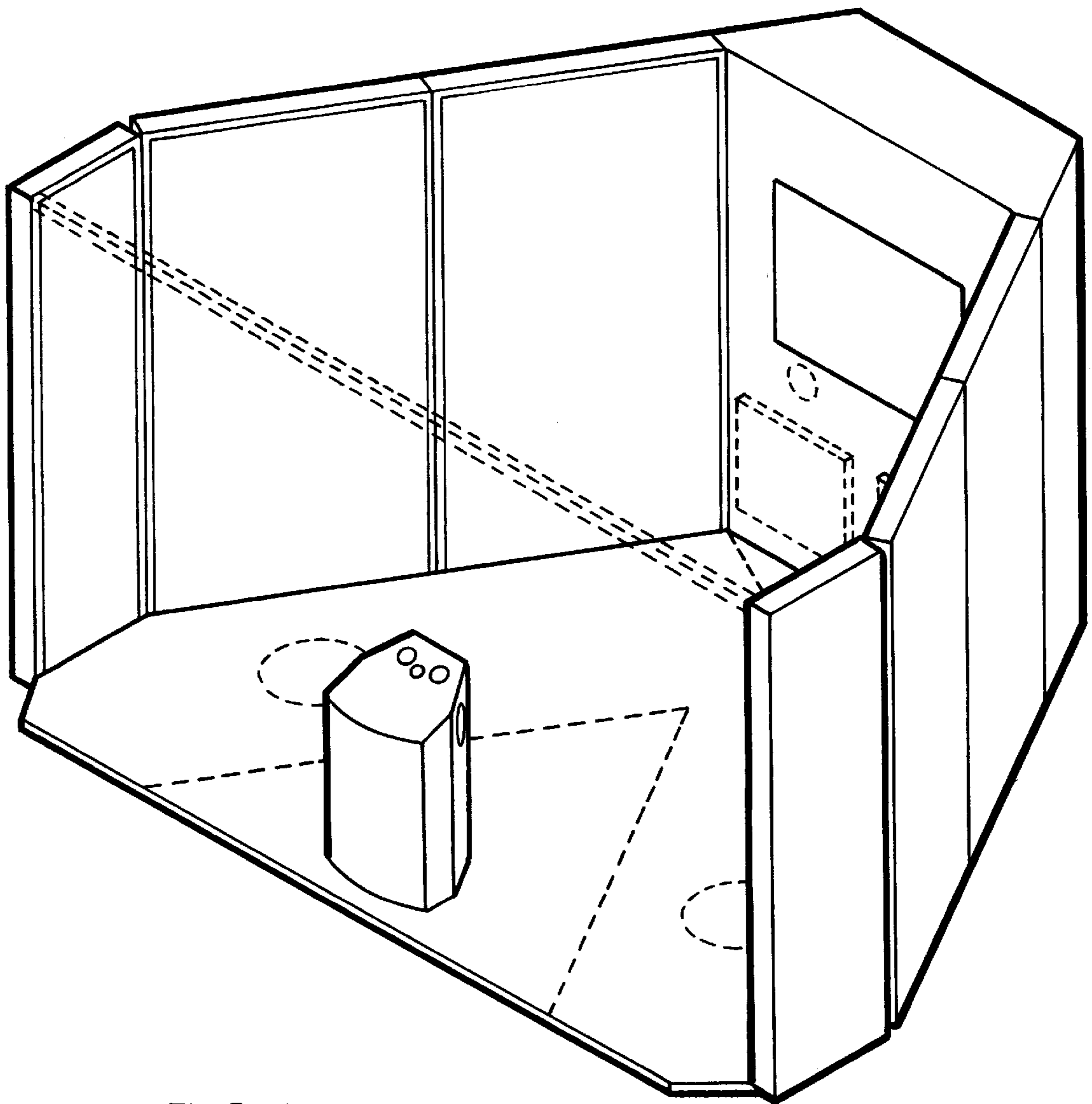


FIG. 1

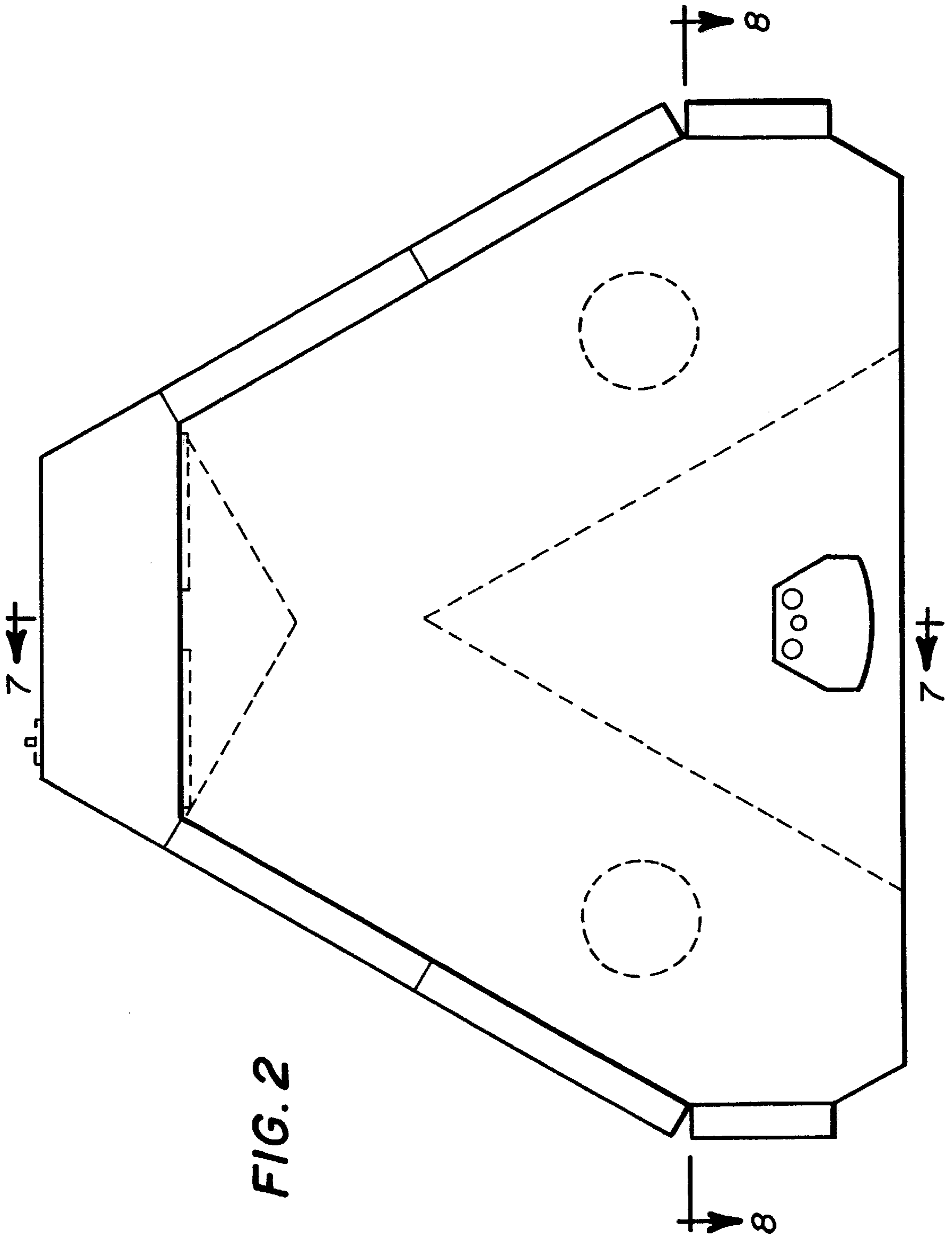


FIG. 3

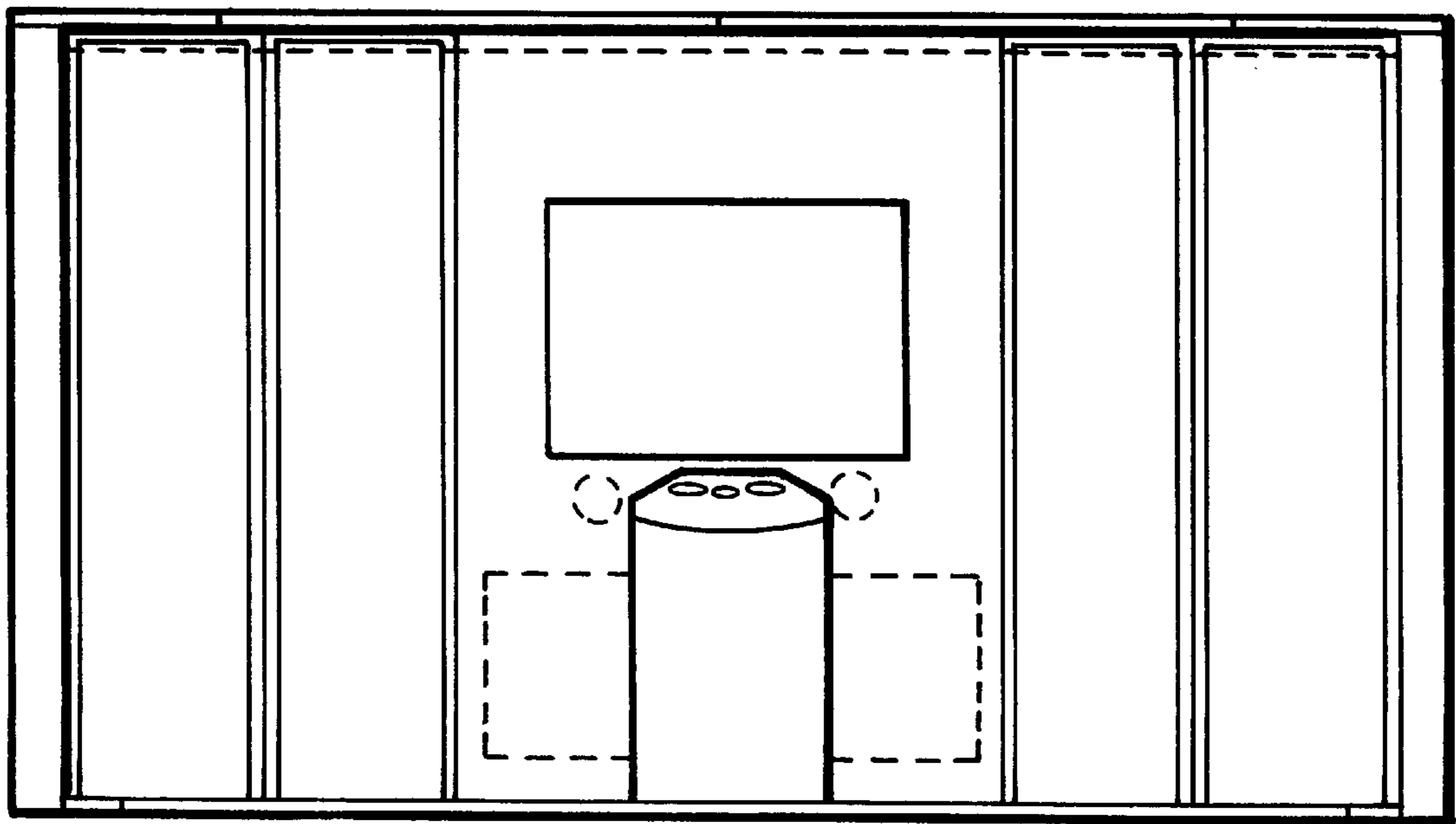
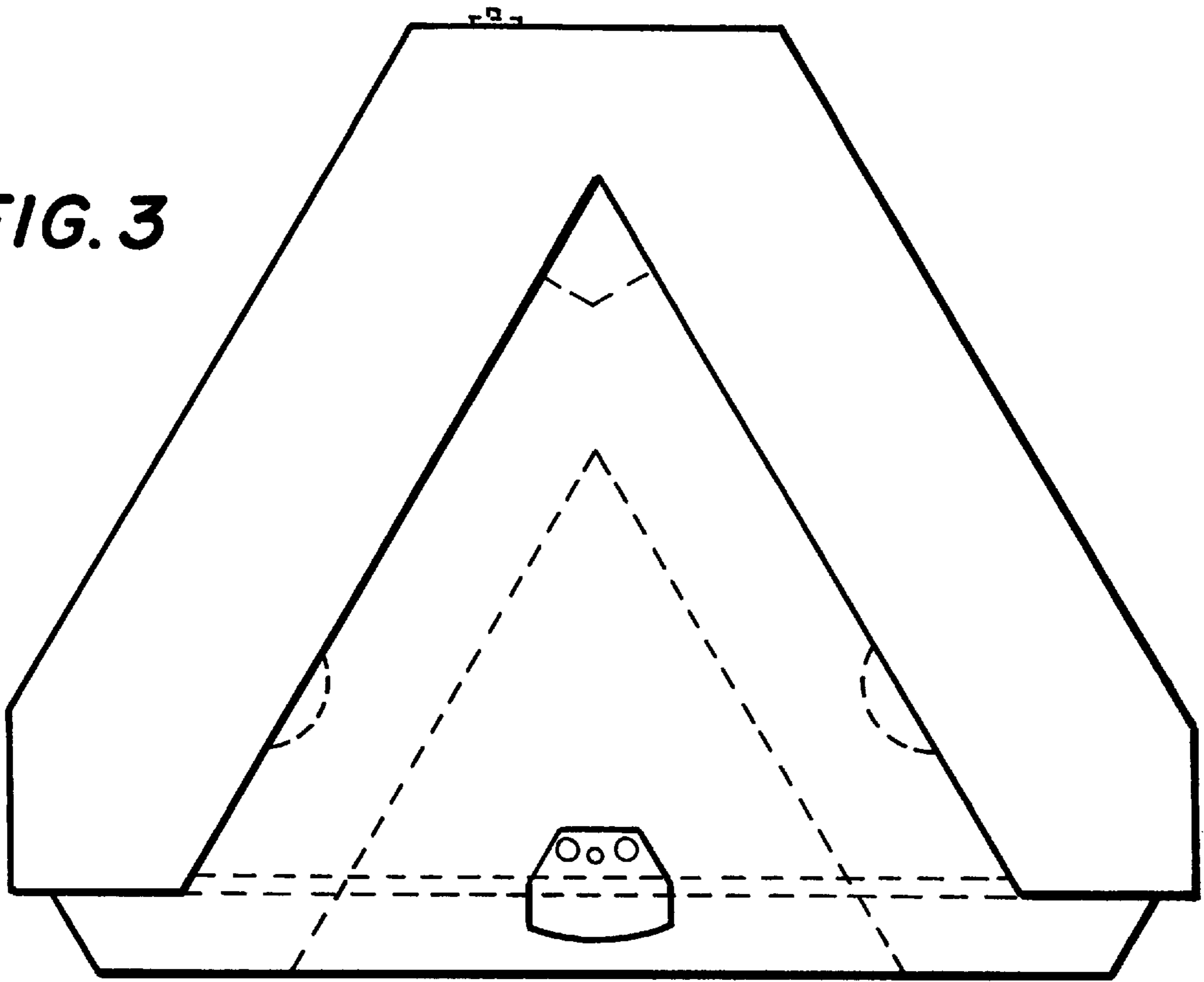


FIG. 4

FIG. 5

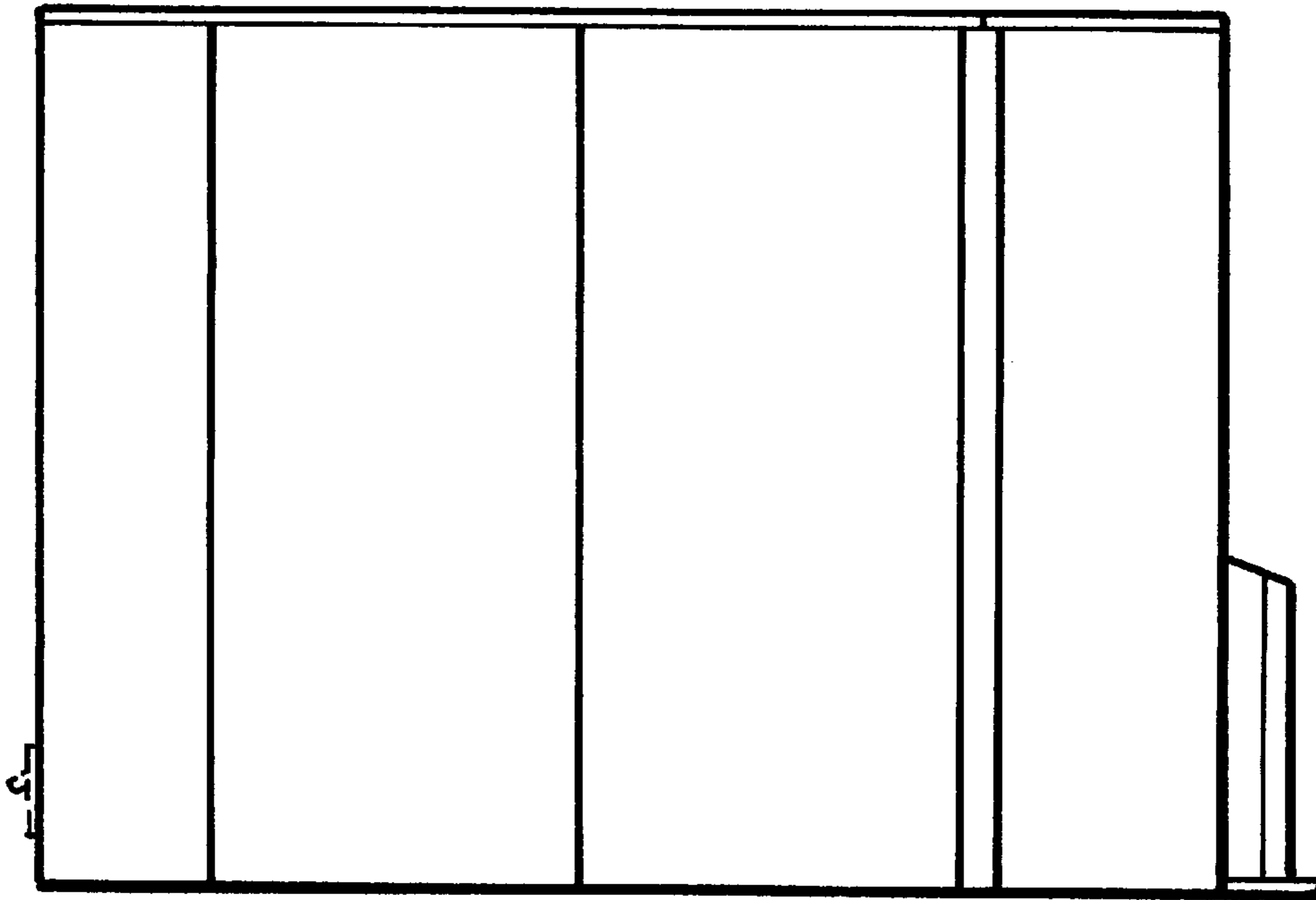
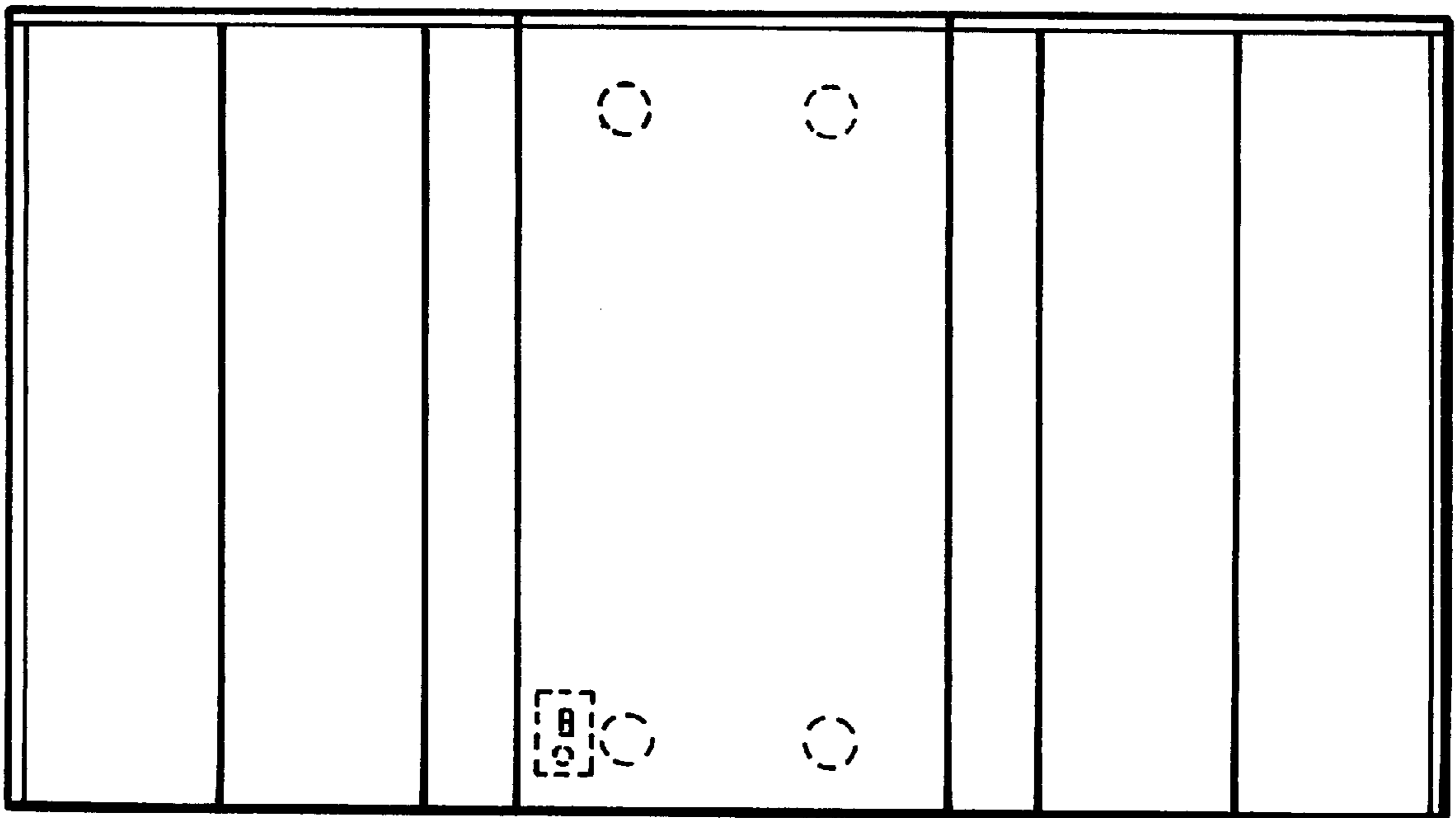


FIG. 6



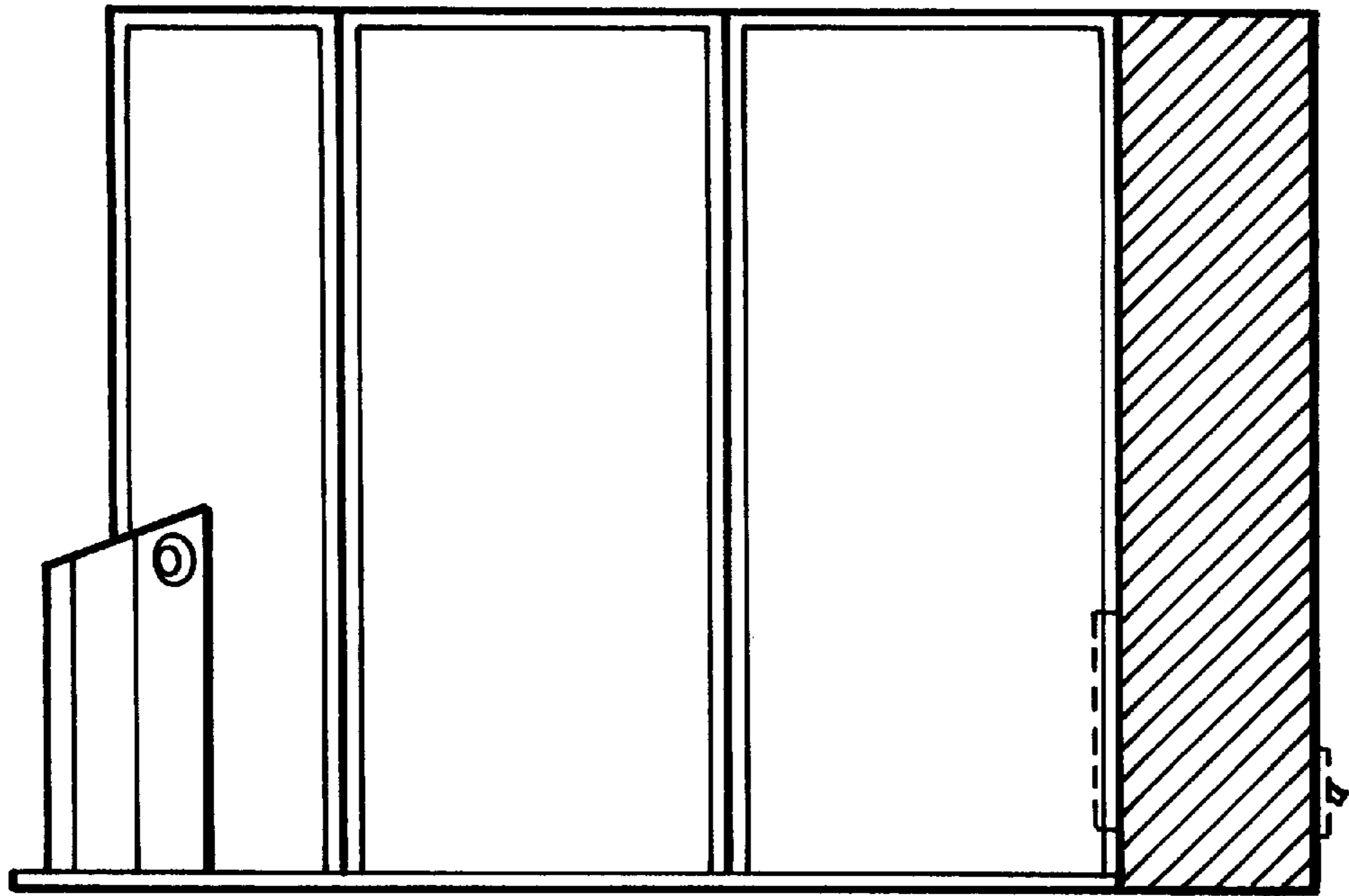


FIG. 7

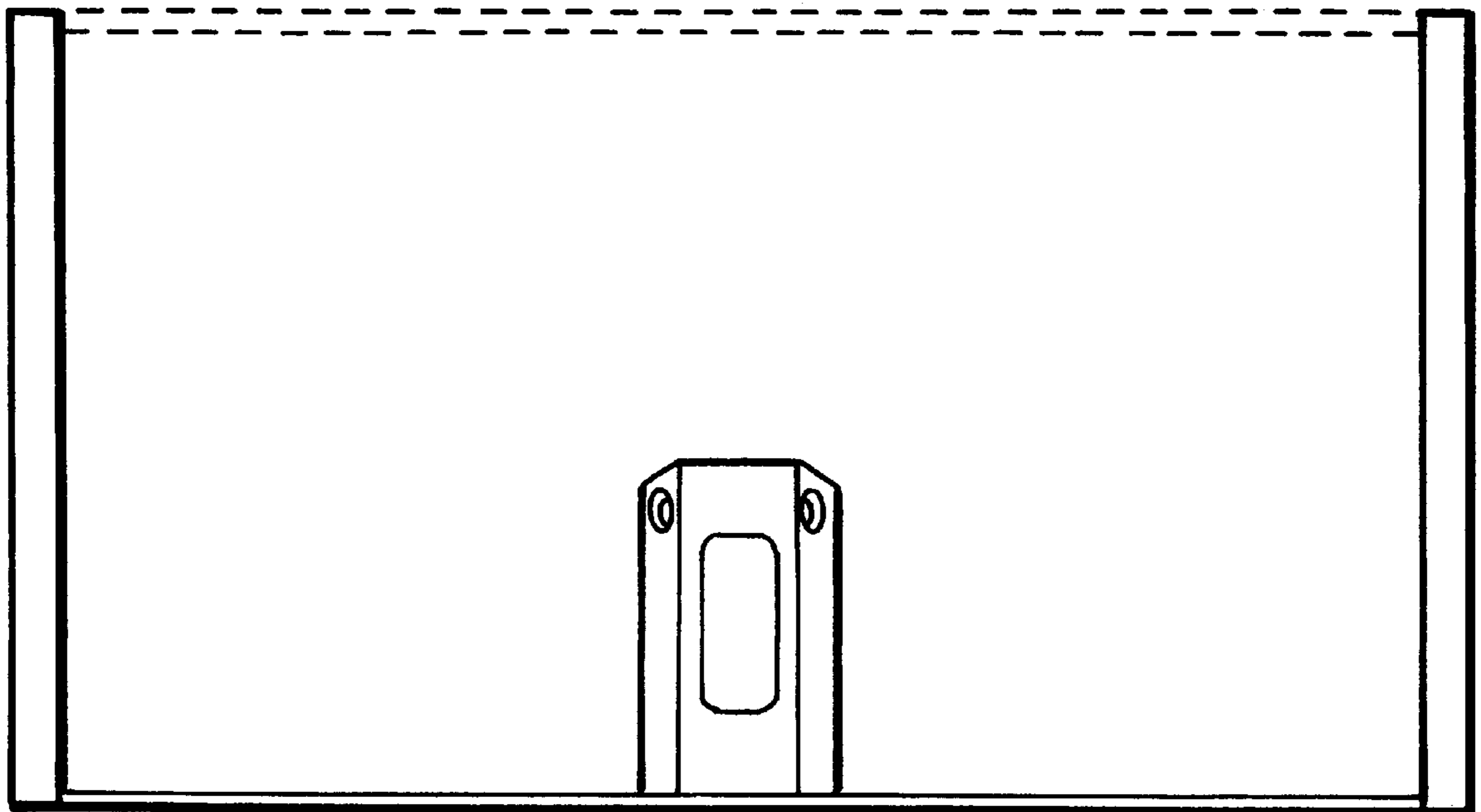


FIG. 8