



US00D409246S

# United States Patent [19]

Fereday et al.

[11] Patent Number: Des. 409,246

[45] Date of Patent: \*\* May 4, 1999

[54] PAPER WEIGHT HAVING A DECORATIVE INSERT

[75] Inventors: Donald E. Fereday, Simpsonville; Alex M. Sud, Louisville, both of Ky.

[73] Assignee: Collectibles by Dugan, L.L.C., Louisville, Ky.

[\*\*] Term: 14 Years

[21] Appl. No.: 29/073,014

[22] Filed: Jun. 27, 1997

[51] LOC (6) Cl. .... 19-02

[52] U.S. Cl. .... D19/96; D11/157; D6/300; D19/90

[58] Field of Search ..... D11/131, 157; D19/75, 90, 91, 95, 99, 100, 96, 97; 428/913.3, 542.2, 542.4, 13; 40/600, 661, 649, 124.01, 124.06, 1; 211/50, 55, 11, 13.1; D6/300, 475, 449

[56] **References Cited**

U.S. PATENT DOCUMENTS

- D. 269,075 5/1983 Dame ..... D11/157
- D. 271,168 11/1983 Antonczyk ..... D6/300
- D. 306,377 3/1990 Cotutsca ..... D11/131 X
- D. 357,704 4/1995 Wolff ..... D19/90
- D. 375,916 11/1996 Cotner ..... D11/157 X

- 3,618,238 11/1971 Willinger ..... 40/661
- 5,078,093 1/1992 Flaherty ..... 40/649
- 5,094,349 3/1992 DeVito ..... 211/50
- 5,419,940 5/1995 Wood et al. .... 428/13
- 5,433,980 7/1995 Auld et al. .... 428/13

Primary Examiner—Martie Thompson  
Attorney, Agent, or Firm—Middleton & Reutlinger; Daniel C. Stelter

[57] **CLAIM**

The ornamental design for a paper weight having a decorative insert, as shown and described.

**DESCRIPTION**

FIG. 1 is a front right perspective view on a reduced scale of a paper weight having a decorative insert according to the present invention;

FIG. 2 is a top view of the paper weight having a decorative insert of FIG. 1;

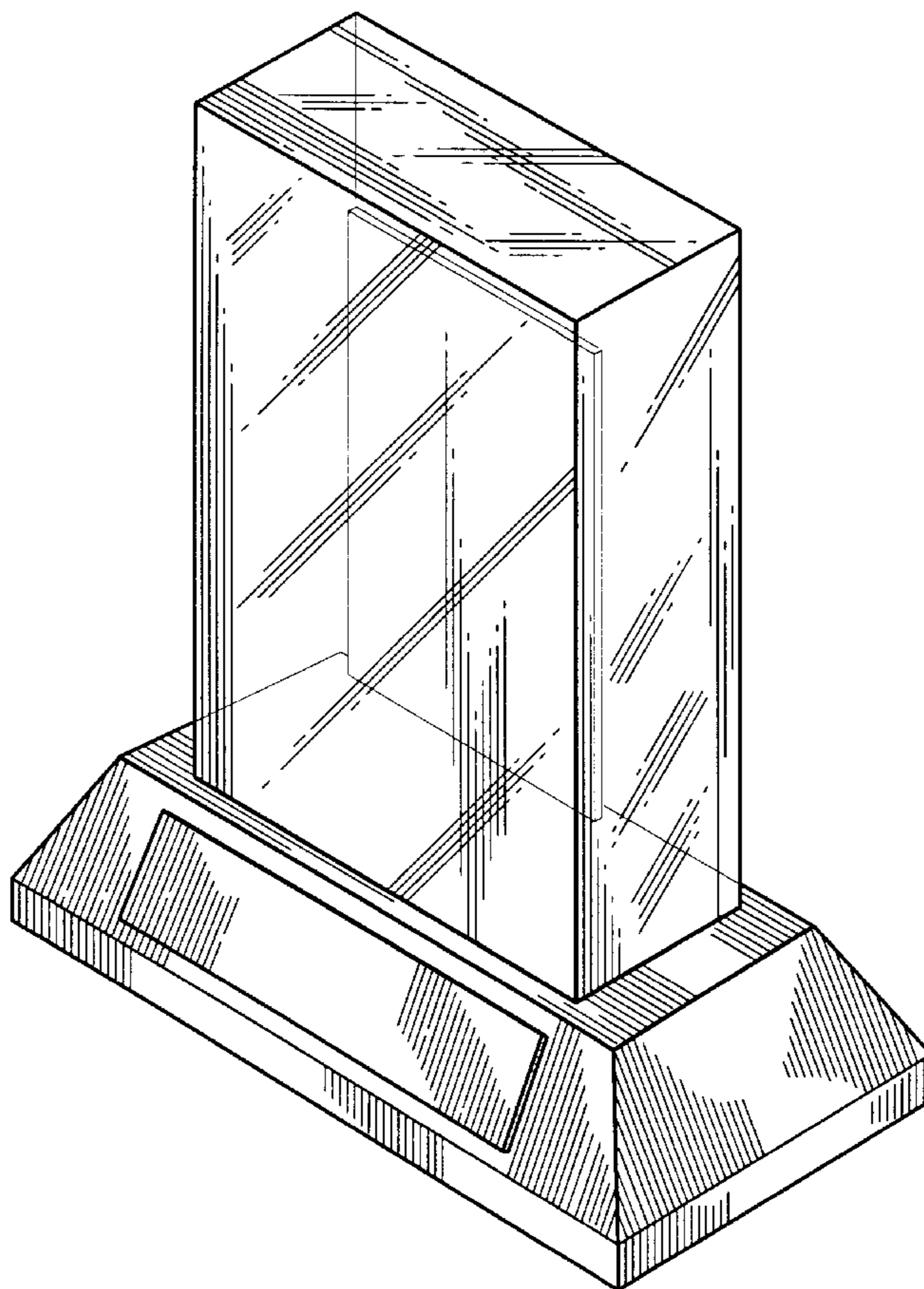
FIG. 3 is a front elevational view of the paper weight having a decorative insert of FIG. 1;

FIG. 4 is a right side view of the paper weight having a decorative insert of FIG. 1;

FIG. 5 is a rear elevational view of the paper weight having a decorative insert of FIG. 1; and,

FIG. 6 is a bottom view of the paper weight having a decorative insert of FIG. 1.

1 Claim, 2 Drawing Sheets



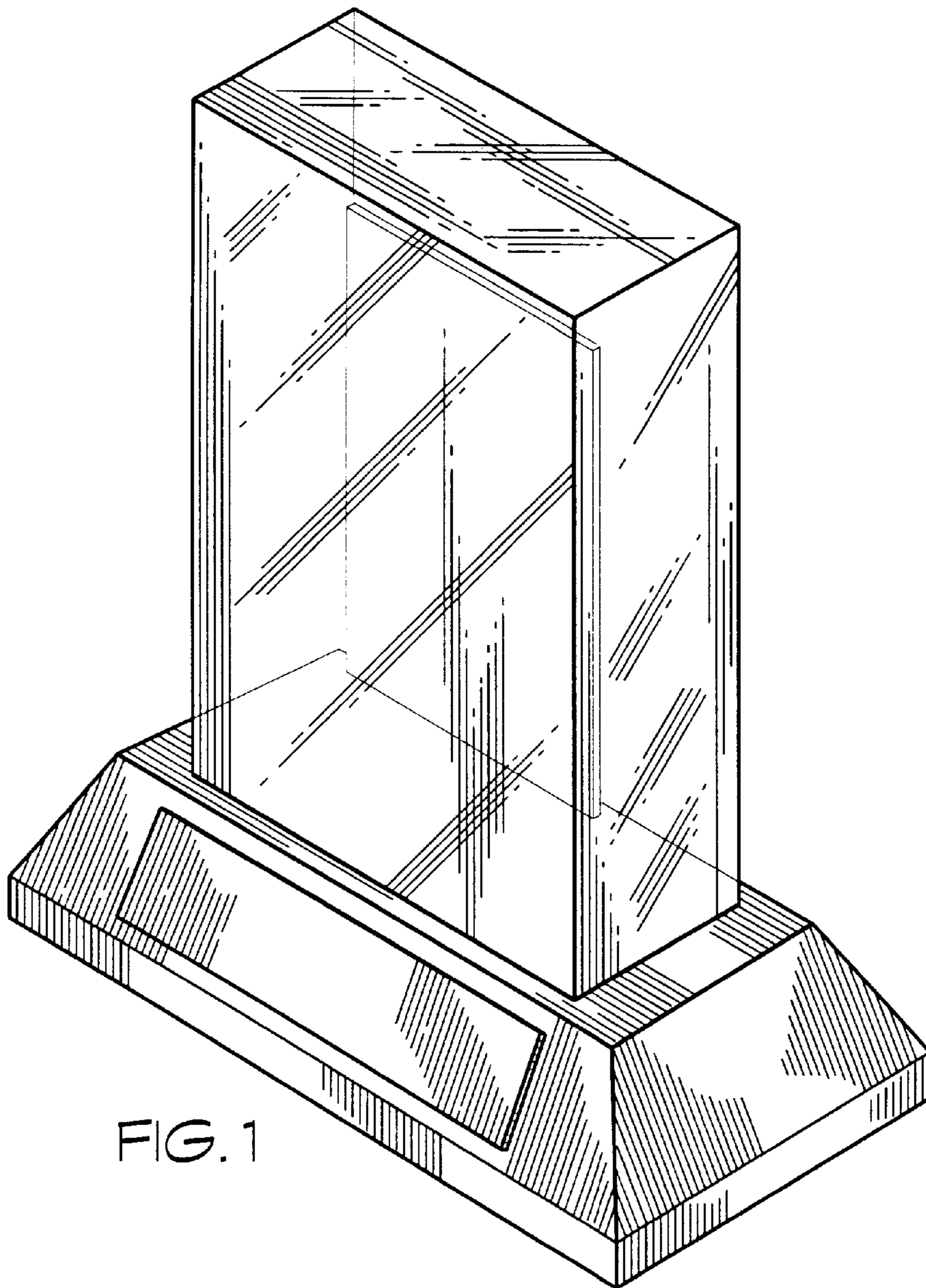


FIG. 1

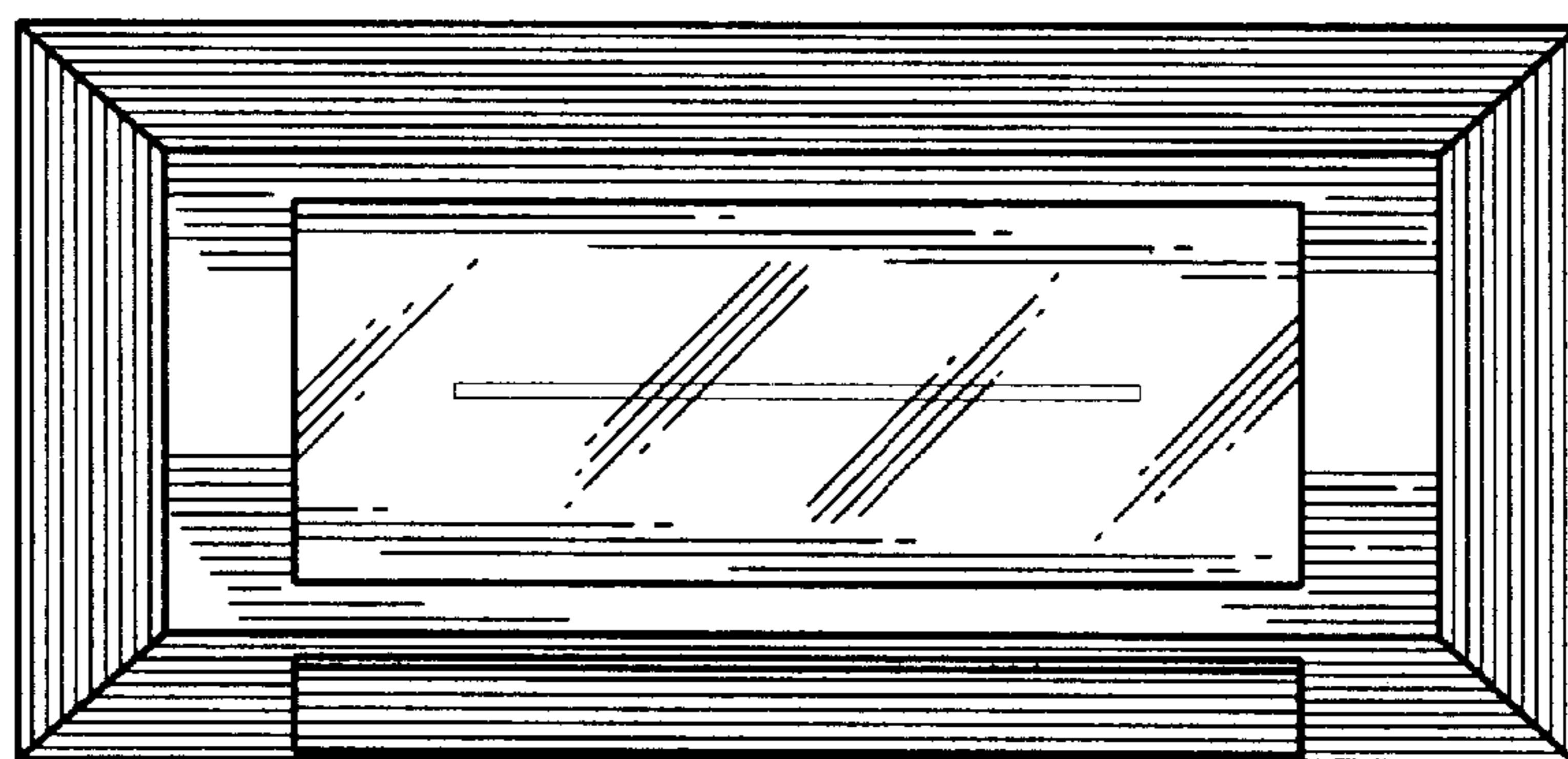


FIG. 2

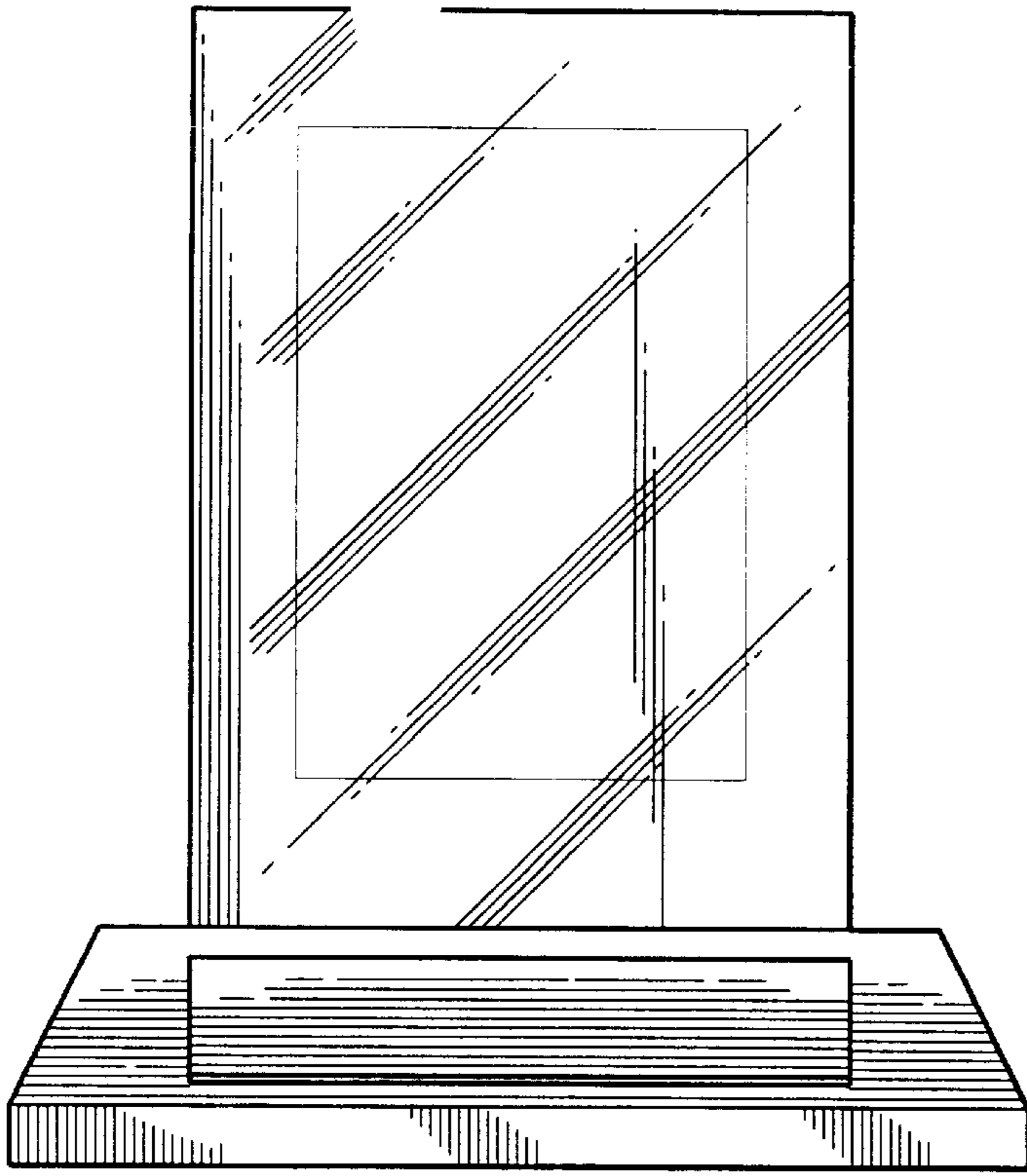


FIG. 3

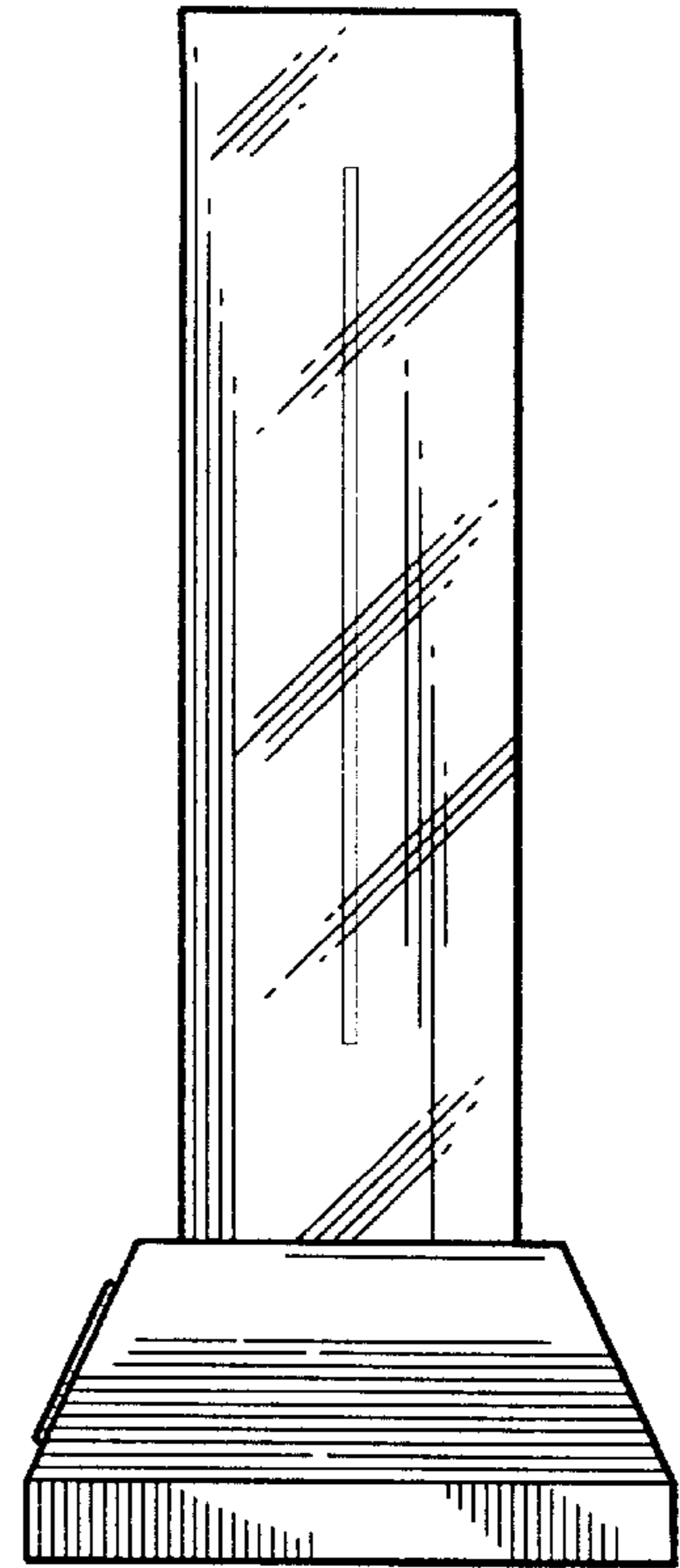


FIG. 4

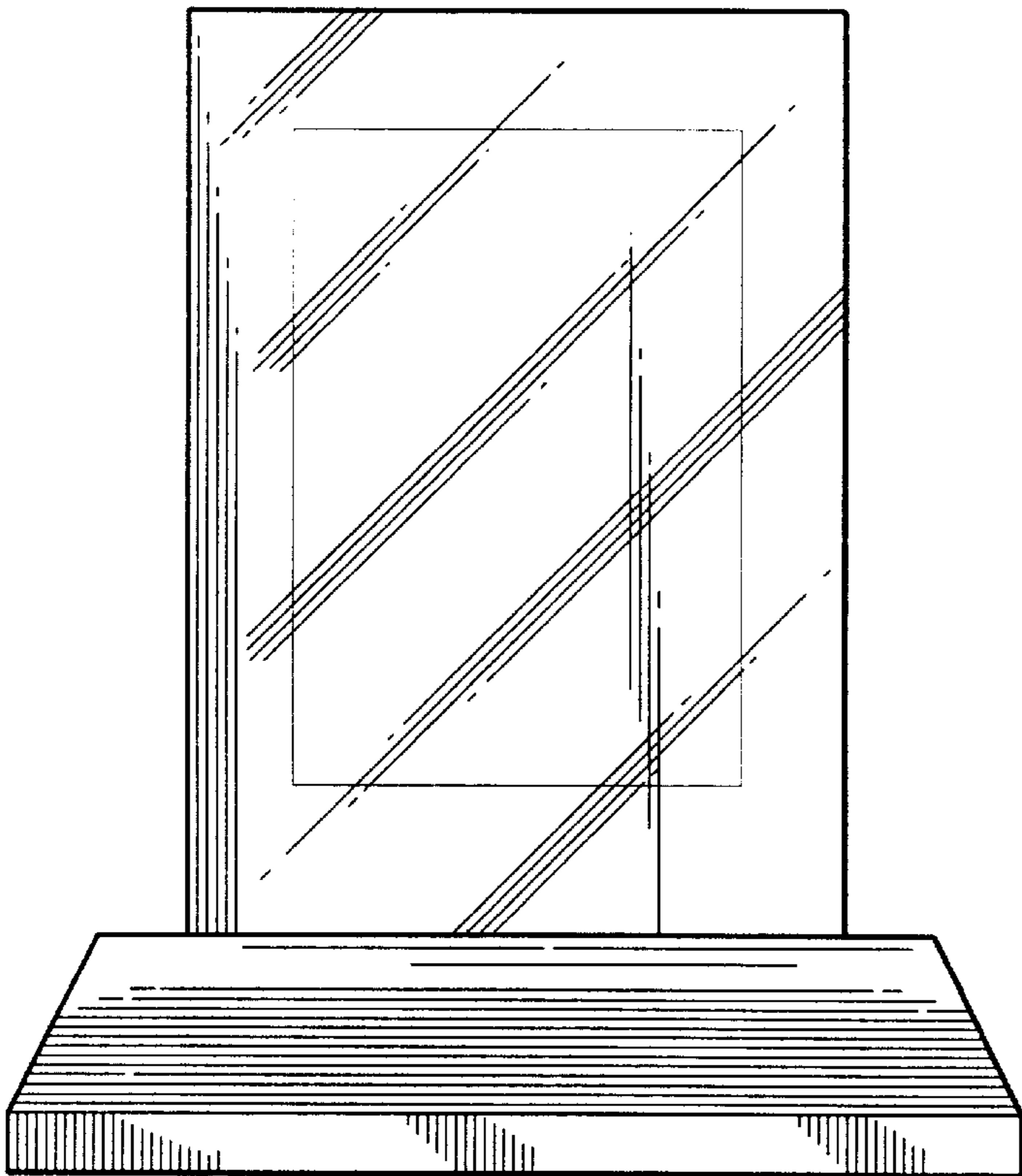


FIG. 5

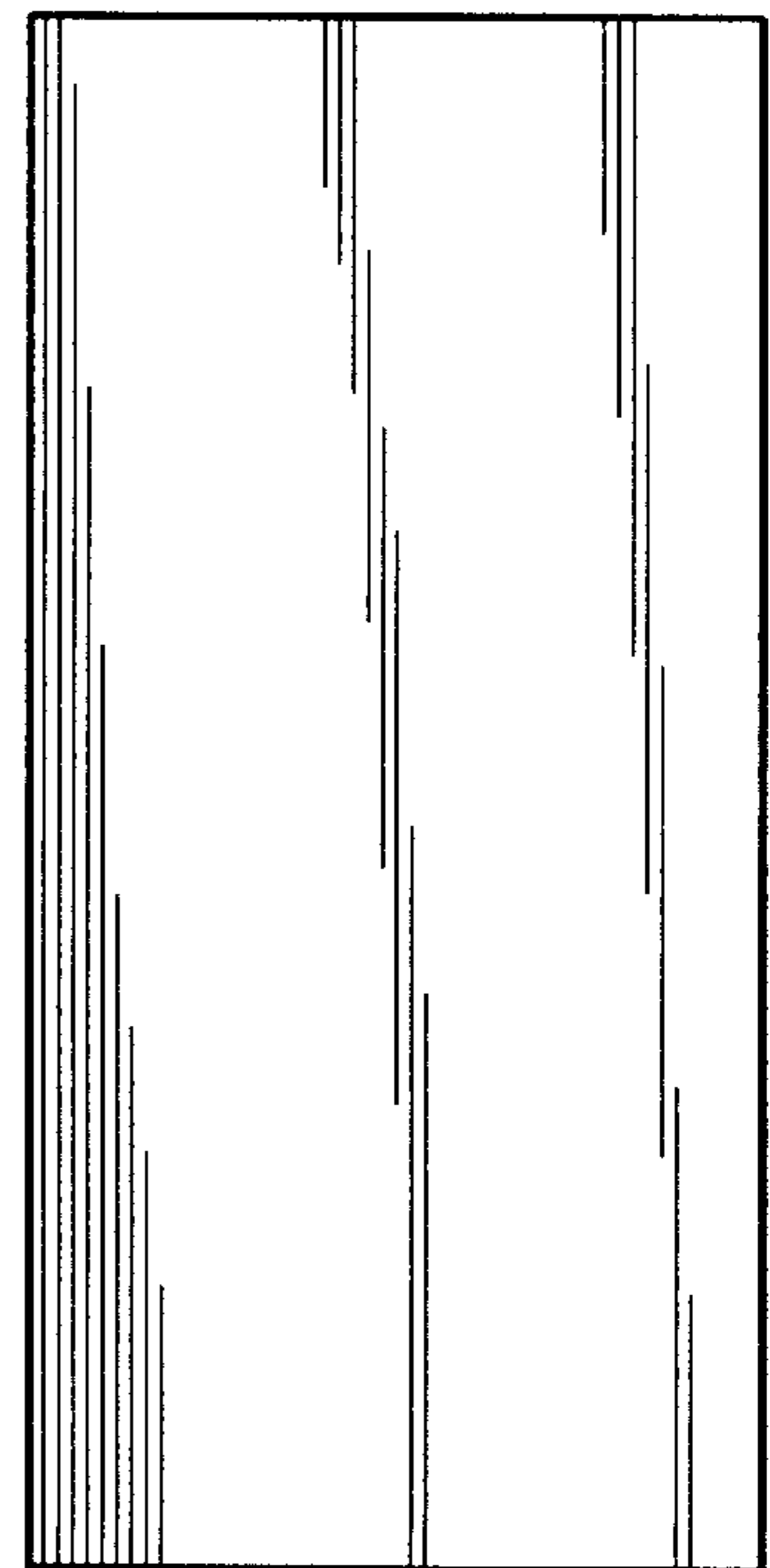


FIG. 6