



US00D409245S

United States Patent [19] Wolff

[11] **Patent Number: Des. 409,245**

[45] **Date of Patent: ** May 4, 1999**

[54] **PROMOTIONAL STORAGE COMPARTMENT
AND BUSINESS CARD HOLDER**

[75] Inventor: **Stephen H. Wolff**, New York, N.Y.

[73] Assignee: **Wolff Marketing Group, Inc.**, New York, N.Y.

[**] Term: **14 Years**

[21] Appl. No.: **29/048,537**

[22] Filed: **Jan. 3, 1996**

[51] **LOC (6) Cl.** **19-02**

[52] **U.S. Cl.** **D19/90; D19/75; D19/92**

[58] **Field of Search** **D6/510; D19/65,
D19/75, 77, 78, 86, 90, 91, 92, 99, 100;
211/10, 11, 13, 45, 50, 55, 126; 206/425,
449, 555**

[56] **References Cited**

U.S. PATENT DOCUMENTS

D. 158,444	5/1950	Converse	D19/92
D. 171,219	12/1953	Mills	D6/510
D. 212,011	8/1968	Rissom et al.	D6/510
D. 230,855	3/1974	Wright	D6/510 X
D. 236,933	9/1975	Frazelle et al.	D6/510
D. 254,883	5/1980	Jorda-Segui	D19/92 X
D. 261,668	11/1981	Ogg, Jr. et al.	D19/92
D. 275,690	9/1984	Crushell	D19/92
D. 275,771	10/1984	Evans	D19/92
D. 275,865	10/1984	Crushell	D19/92
D. 340,068	10/1993	Chan	D19/90
D. 352,855	11/1994	Wolff	.	
D. 357,373	4/1995	Wolff	.	
3,462,139	8/1969	Brignac	211/50 X

Primary Examiner—Martie K. Holtje
Attorney, Agent, or Firm—Lerner, David, Littenberg,
Krumholz & Mentlik

[57] **CLAIM**

The ornamental design for a promotional storage compartment and business card holder, shown and described.

DESCRIPTION

FIG. 1 is a front perspective view of the promotional storage compartment and business card holder in accordance with my design, illustrating the design with mostly transparent surfaces and the area to the left of the business card opening being shown as opaque as that area will have promotional indicia thereon;

FIG. 2 is a front elevational view thereof;

FIG. 3 is a top plan view thereof;

FIG. 4 is a front perspective view of another embodiment thereof, illustrating the design with opaque surfaces; and FIG. 5 is a front perspective view of another embodiment thereof, illustrating the design without side-to-side dividers in the two compartments.

FIG. 6 is a front elevational view of the embodiment shown in FIG. 5;

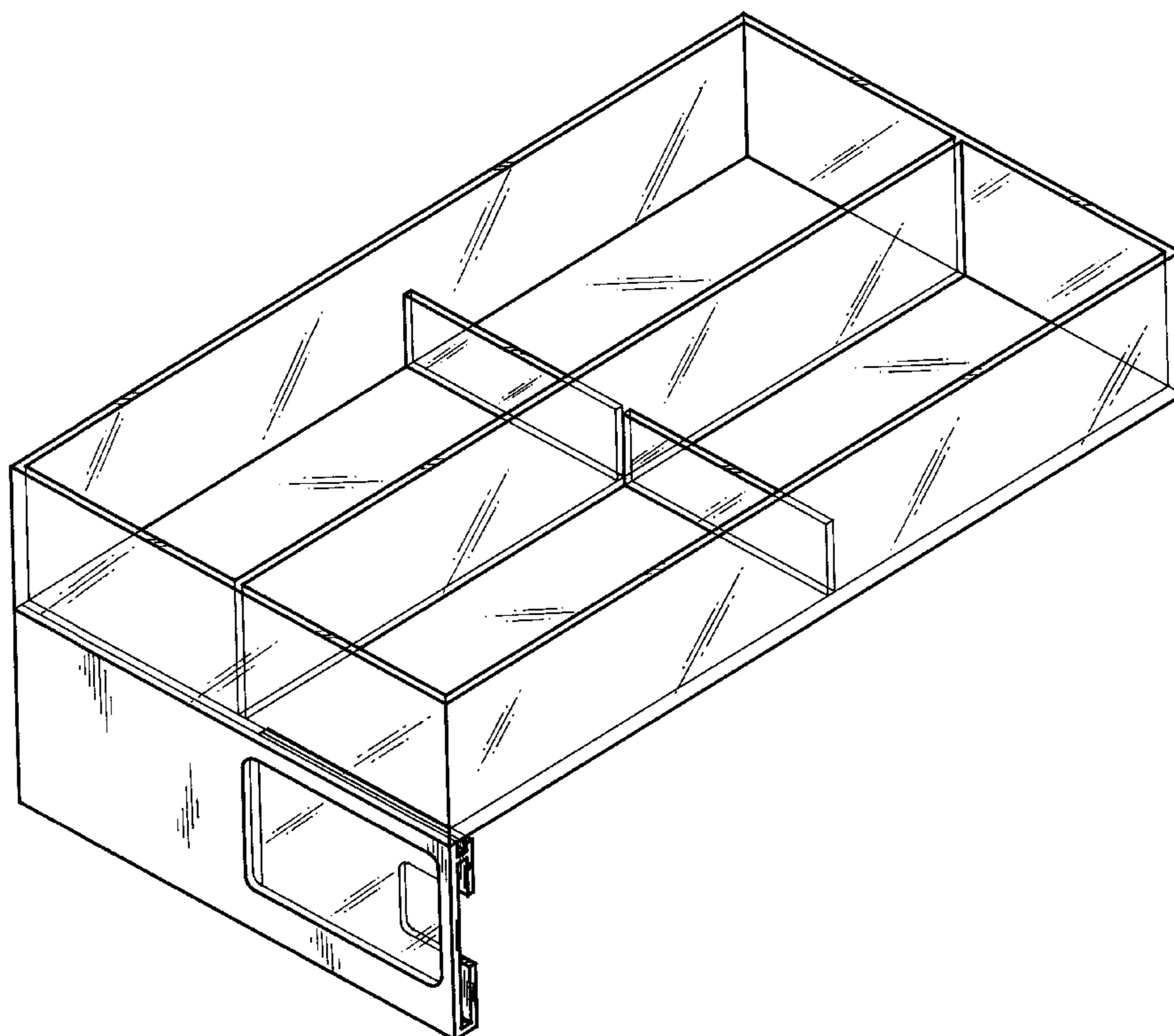
FIG. 7 is a top plan view of the embodiment shown in FIG. 5;

FIG. 8 is a front elevational view of the embodiment shown in FIG. 4; and,

FIG. 9 is a top plan view of the embodiment shown in FIG. 4.

The rear and bottom views of the disclosed embodiments do not form any part of the claimed design.

1 Claim, 6 Drawing Sheets



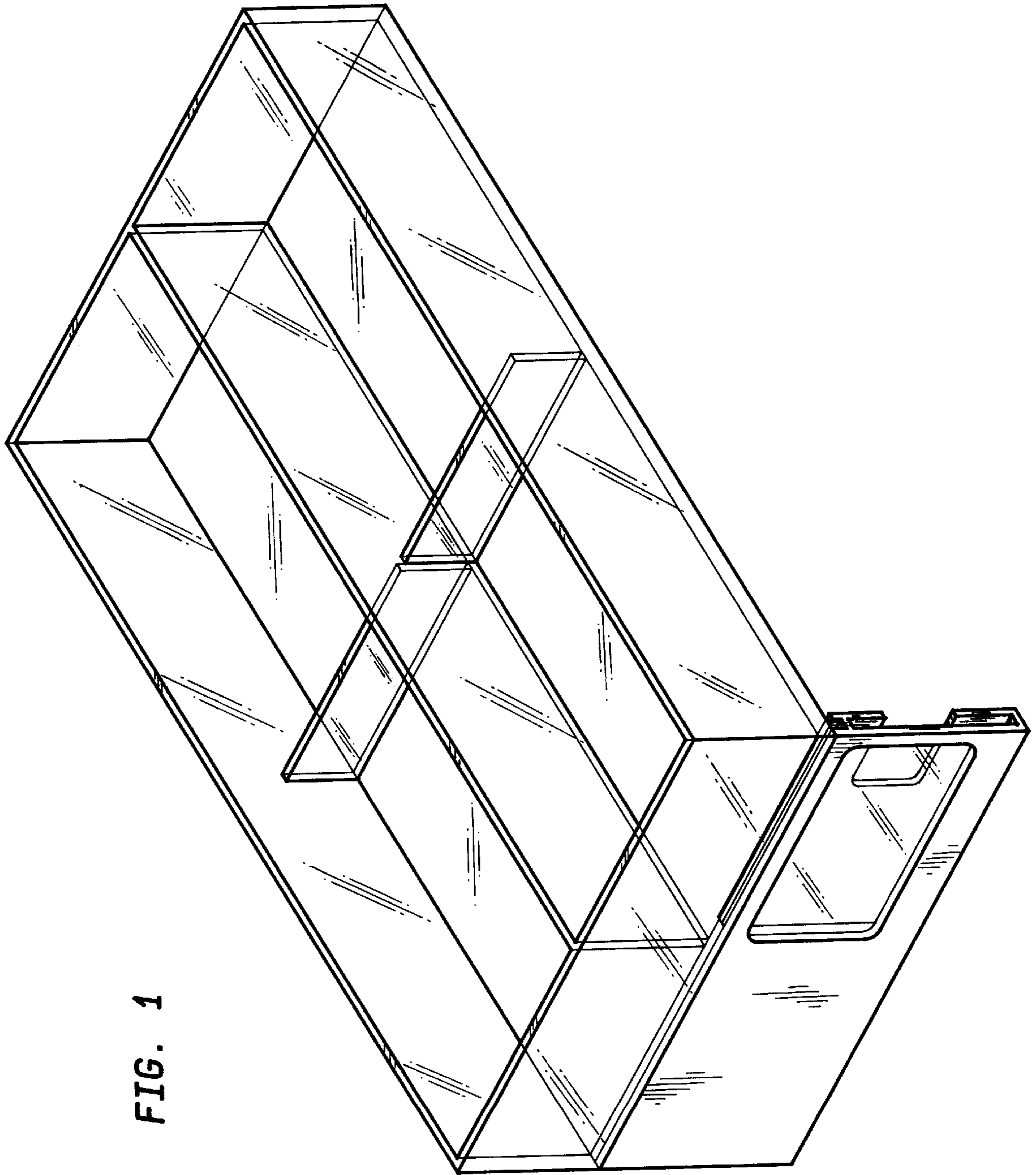


FIG. 1

FIG. 2

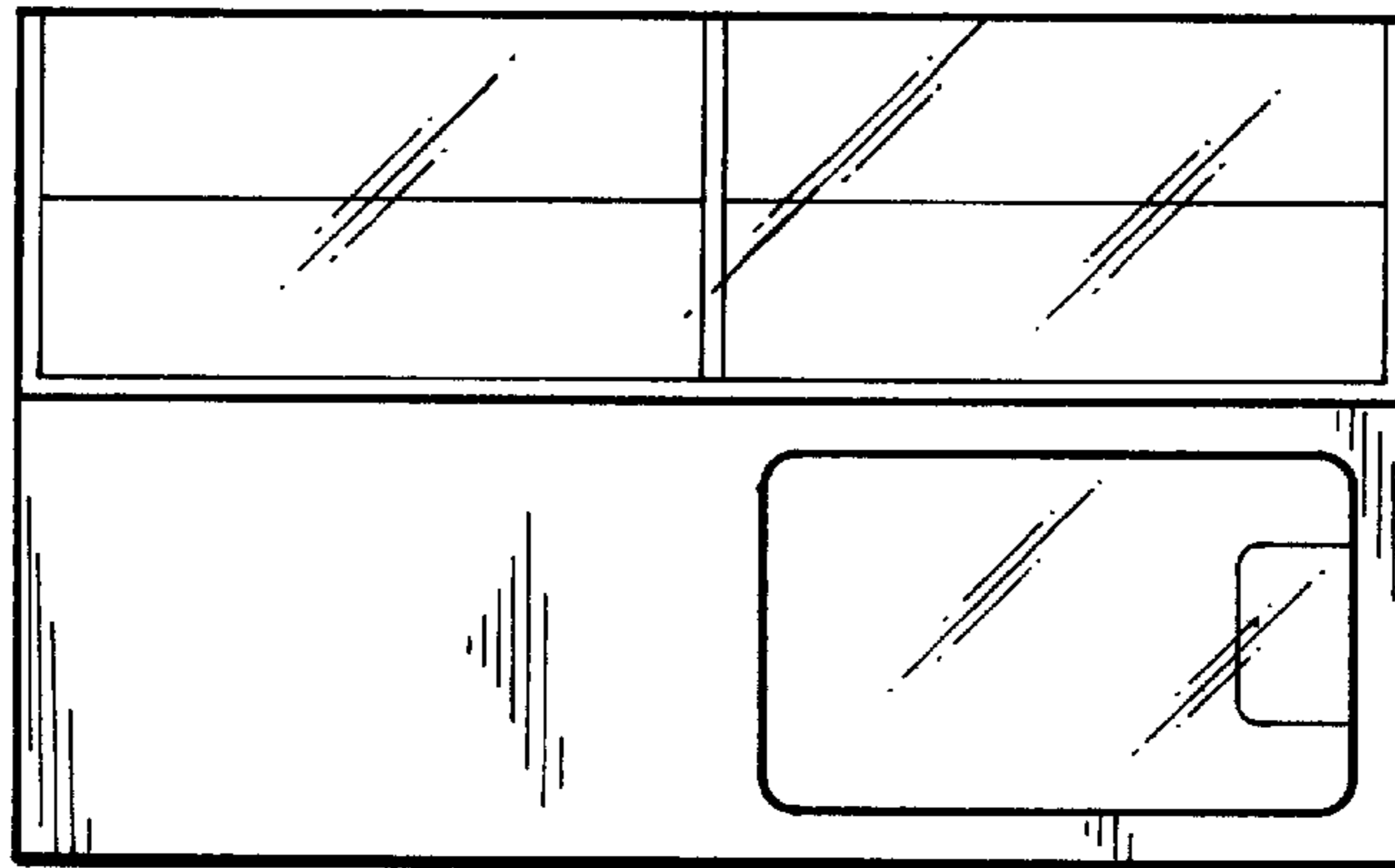
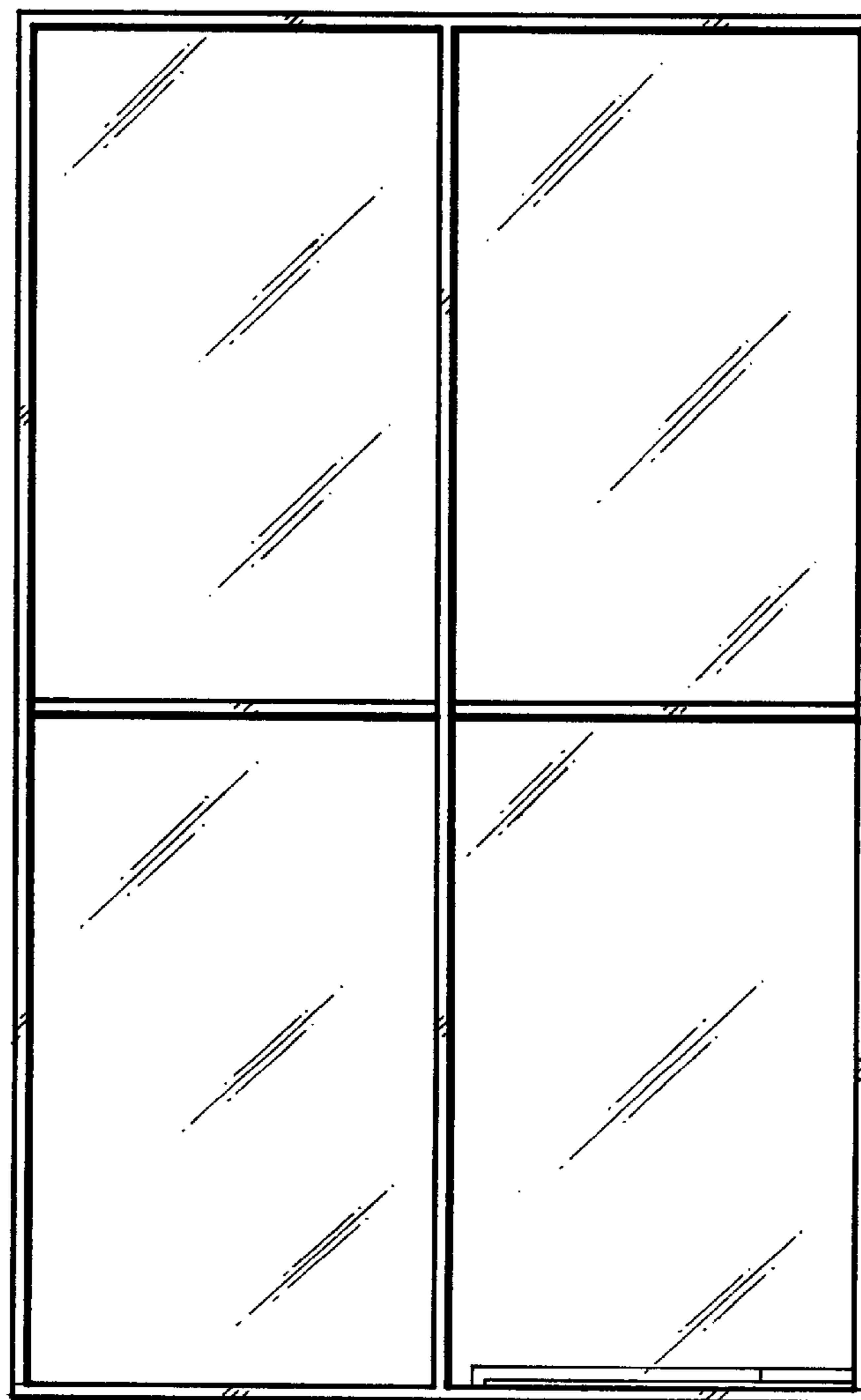


FIG. 3



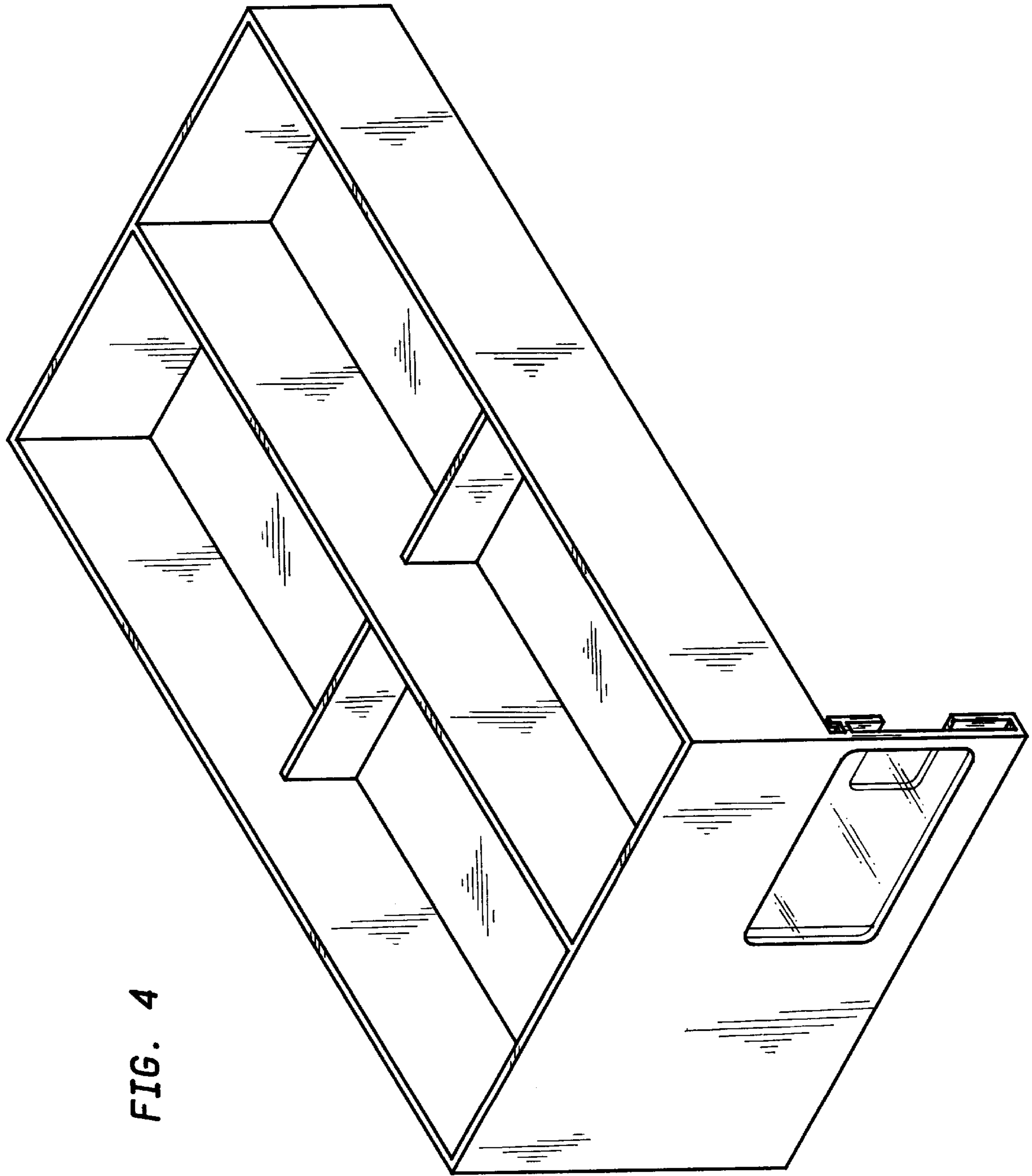


FIG. 4

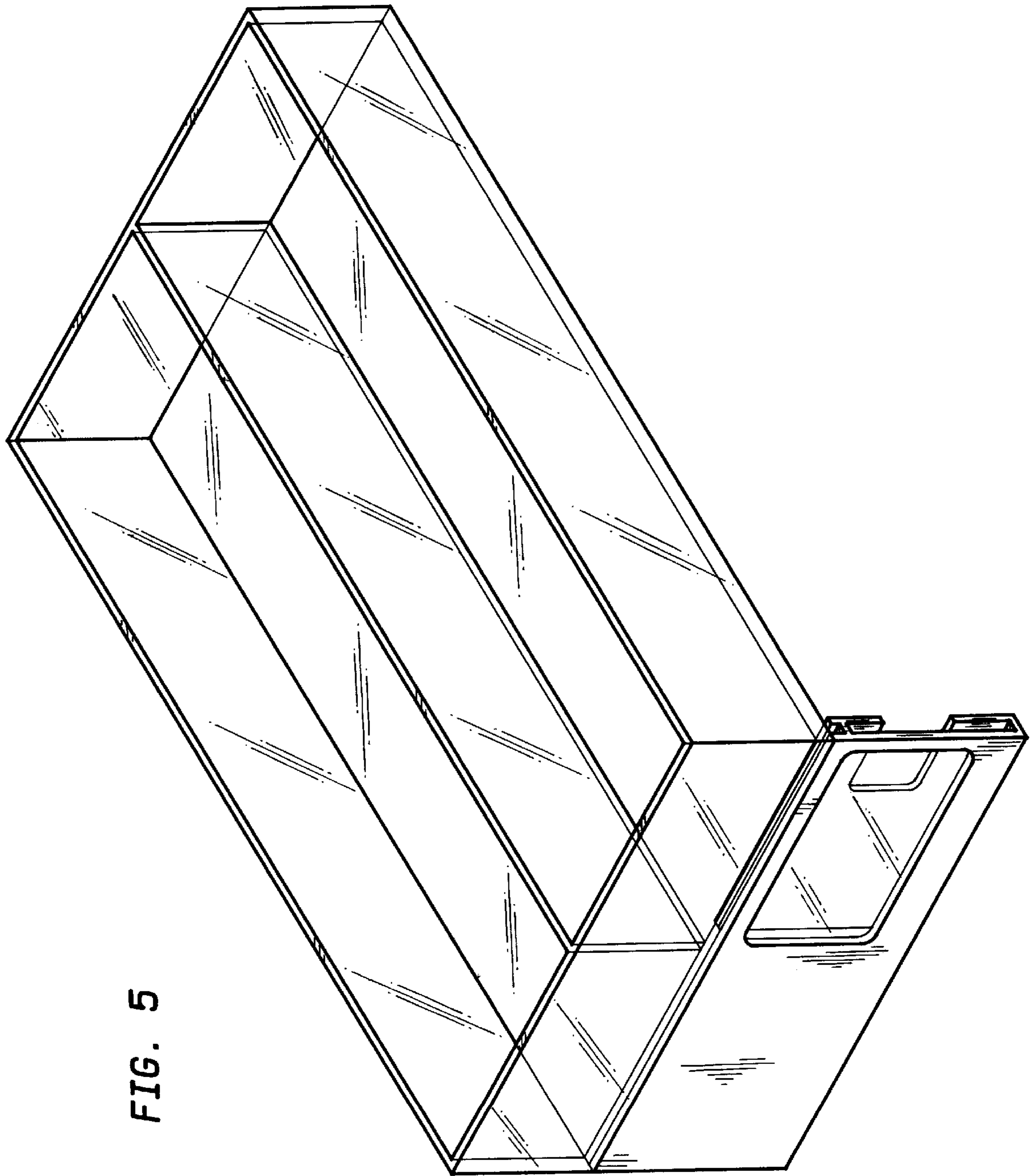


FIG. 5

FIG. 6

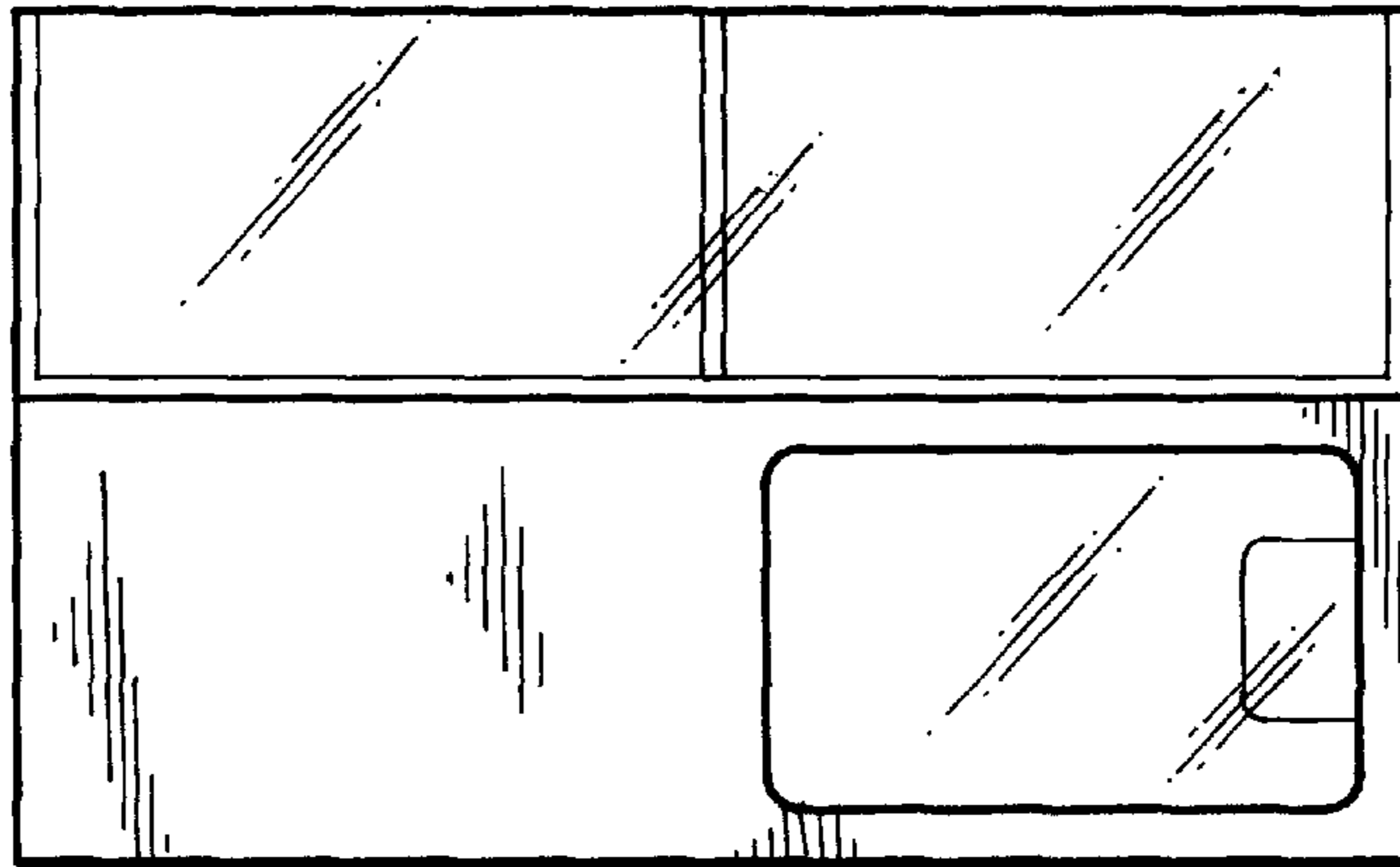


FIG. 7

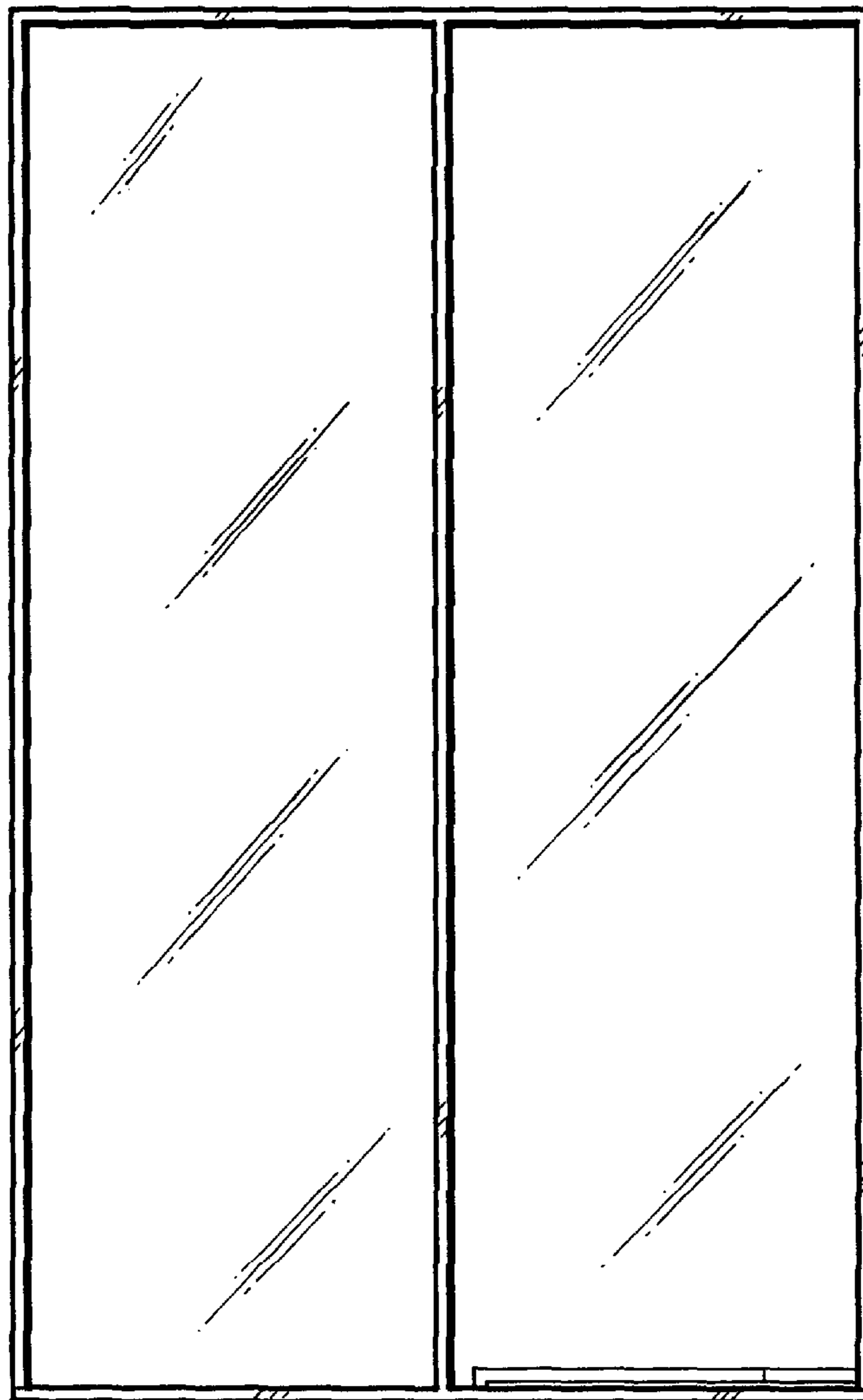


FIG. 8

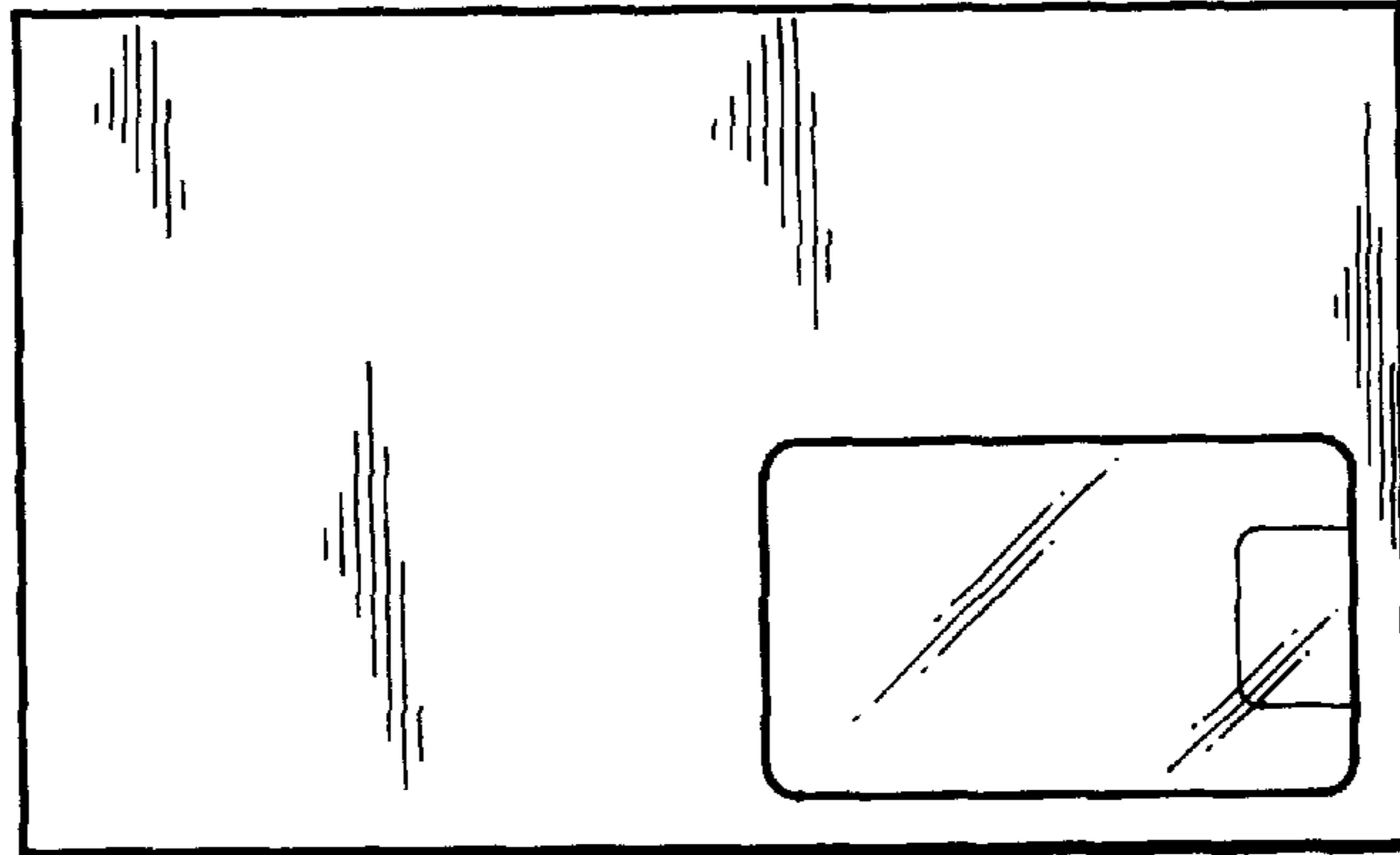


FIG. 9

