



US00D409237S

United States Patent [19]

Ellers et al.

[11] Patent Number: Des. 409,237

[45] Date of Patent: ** May 4, 1999

[54] SOLID INK STICK FOR A COLOR PRINTER

[75] Inventors: James A. Ellers, Lake Oswego, Oreg.;
Kuoyong Huang, Chicago, Ill.

[73] Assignee: Tektronix, Inc., Wilsonville, Oreg.

[**] Term: 14 Years

[21] Appl. No.: 29/087,538

[22] Filed: May 5, 1998

[51] LOC (6) Cl. 18-02

[52] U.S. Cl. D18/56; 347/88

[58] Field of Search D18/56; 347/54,
347/88, 99; 106/31.29, 31.61

[56] References Cited

U.S. PATENT DOCUMENTS

D. 212,542	10/1968	McCarty .	
D. 300,673	4/1989	Rhoa et al. .	
D. 310,130	8/1990	van Kooten .	
D. 335,683	5/1993	Smith	D18/56
D. 346,821	5/1994	Smith	D18/56
D. 371,801	7/1996	Jones et al.	D18/56
D. 371,802	7/1996	Jones et al.	D18/56
D. 372,268	7/1996	Jones et al.	D18/56
D. 372,270	7/1996	Jones et al.	D18/56
D. 373,139	8/1996	Jones et al.	D18/56
D. 379,471	5/1997	Gilbert	D18/56
D. 379,639	6/1997	Gilbert	D18/56

D. 380,771	7/1997	Jones	D18/56
D. 383,153	9/1997	Jones et al.	D18/56
D. 383,154	9/1997	Jones et al.	D18/56
D. 402,308	12/1998	Yao et al.	D18/56
4,823,146	4/1989	Cooke et al. .	
5,223,860	6/1993	Loofbourow et al. .	
5,510,821	4/1996	Jones et al.	347/88
5,734,402	3/1998	Rousseau et al.	347/88
5,784,089	7/1998	Crawford	347/88

Primary Examiner—Cathy Anne MacCormac
Attorney, Agent, or Firm—Charles F. Moore

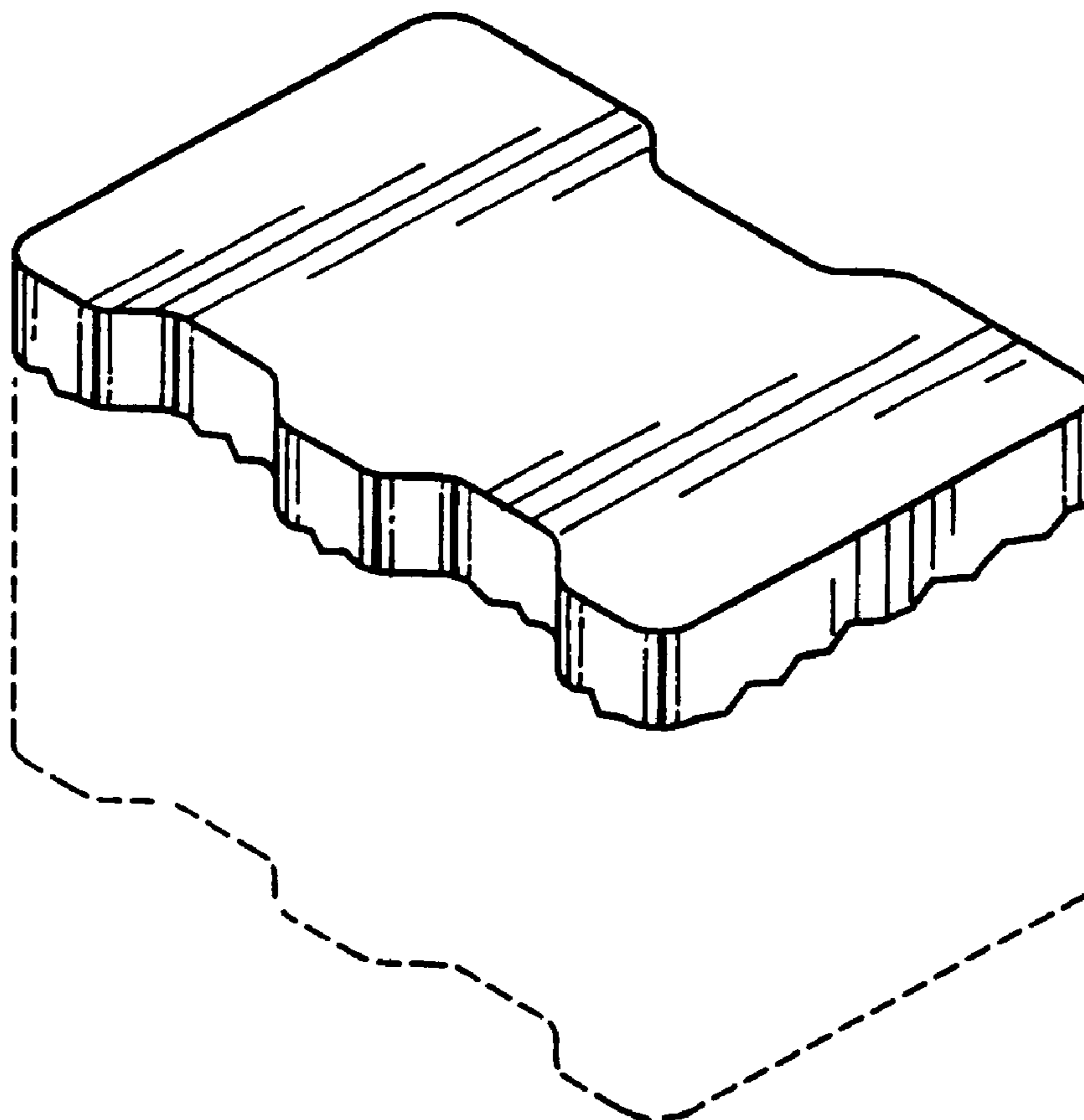
[57] CLAIM

The ornamental design for a solid ink stick for a color printer, as shown and described.

DESCRIPTION

FIG. 1 is a front perspective view of a solid ink stick for a color printer showing the top surface and the contour of the left side surface and the end surface;
 FIG. 2 is a top plan view thereof;
 FIG. 3 is a left side elevational view thereof showing the contour of the left sides;
 FIG. 4 is a right side elevational view thereof showing the contour of the right side; and,
 FIG. 5 is an end elevational view thereof, the opposite end being identical.
 The broken line portions of FIGS. 1, 3 4, and 5 are environmental only and form no part of the claimed design.

1 Claim, 1 Drawing Sheet



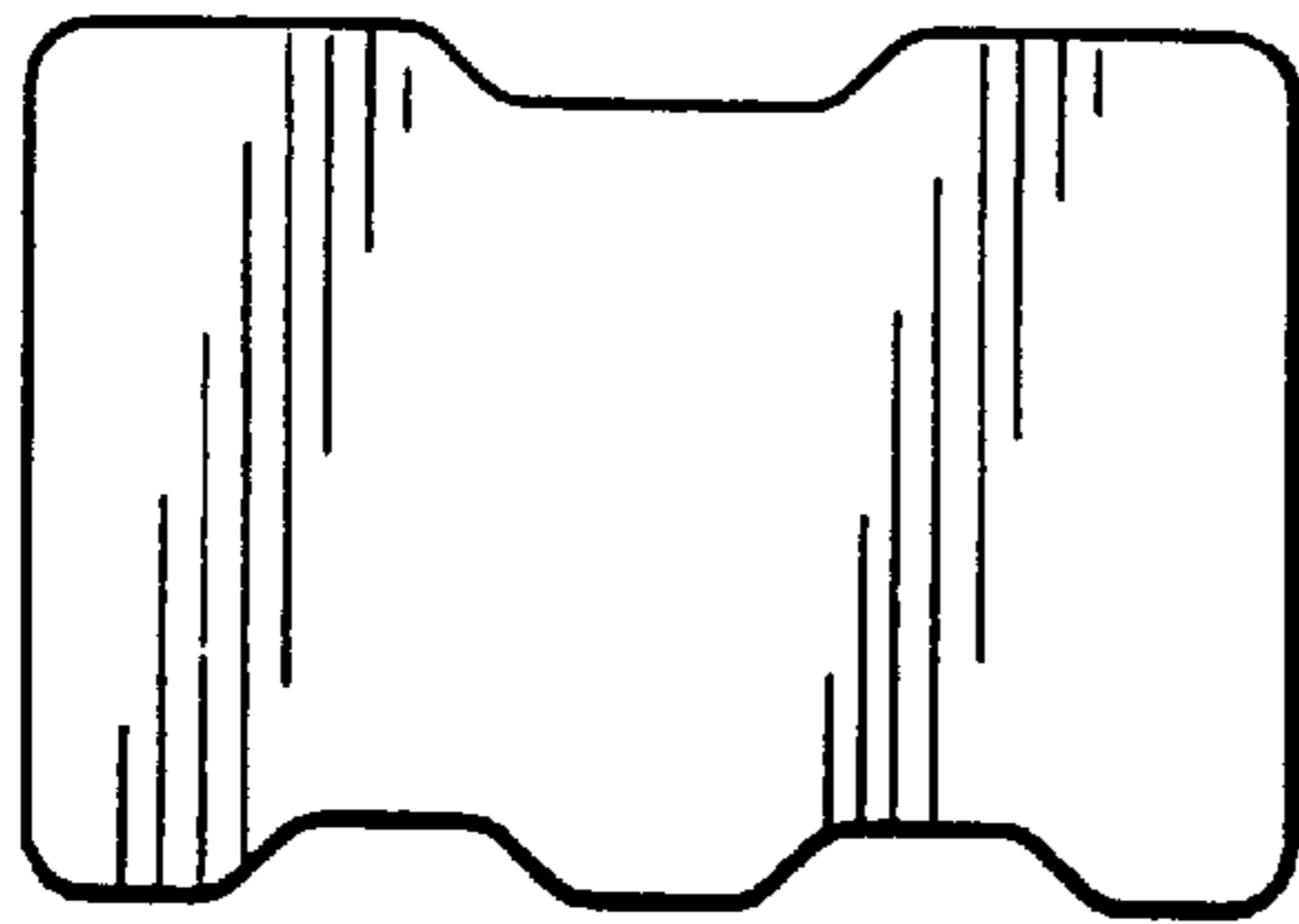
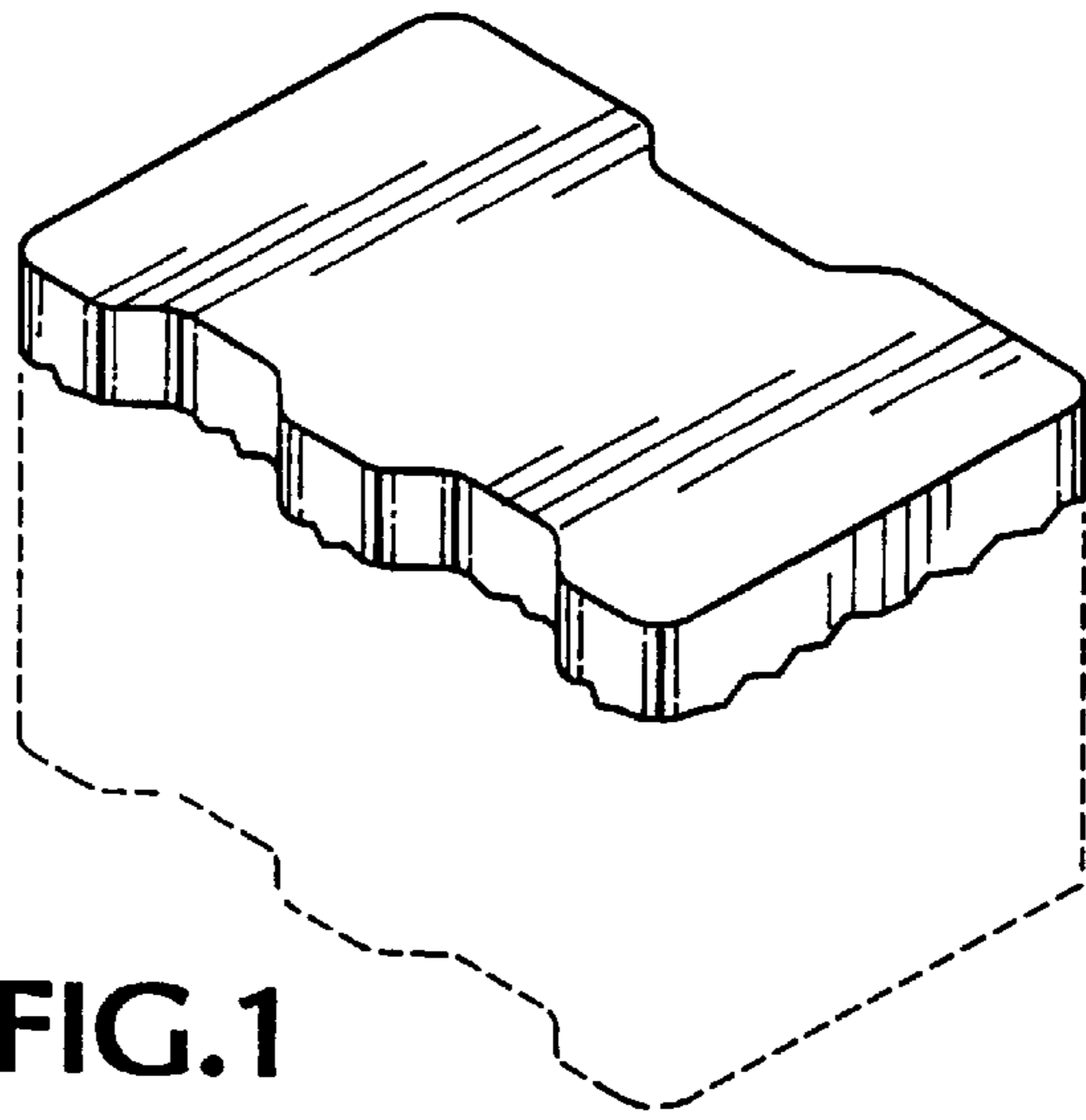


FIG. 2

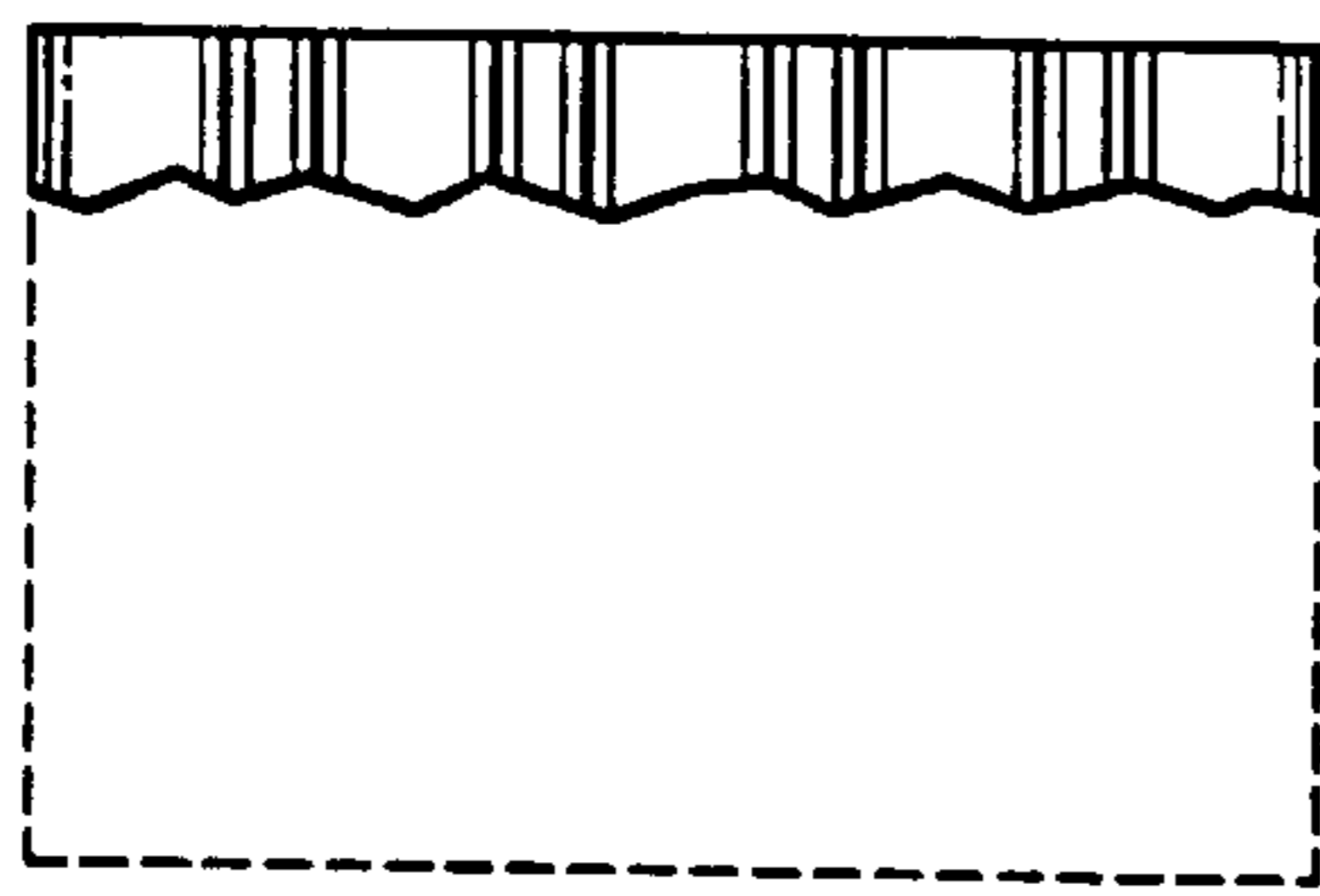


FIG. 3

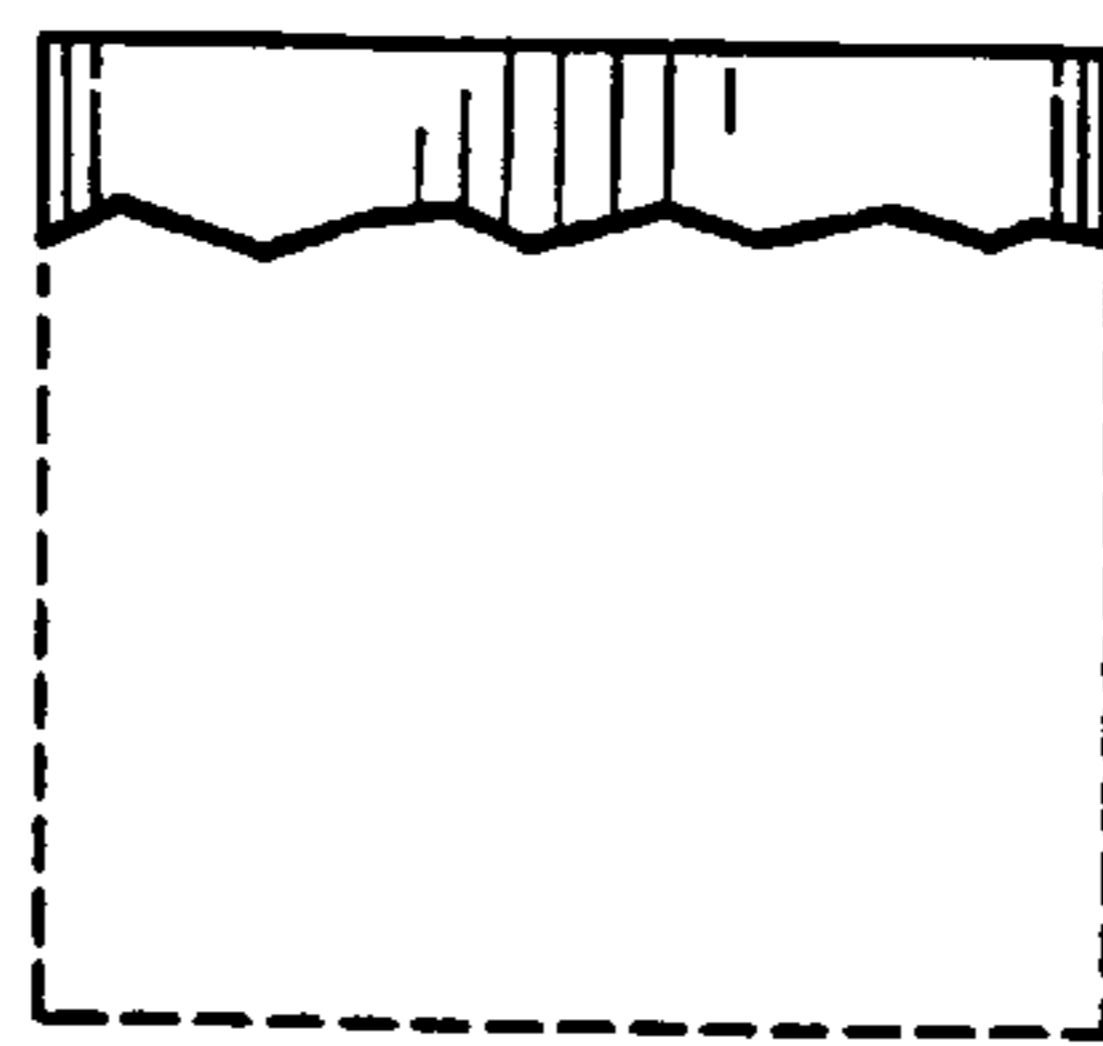


FIG. 5

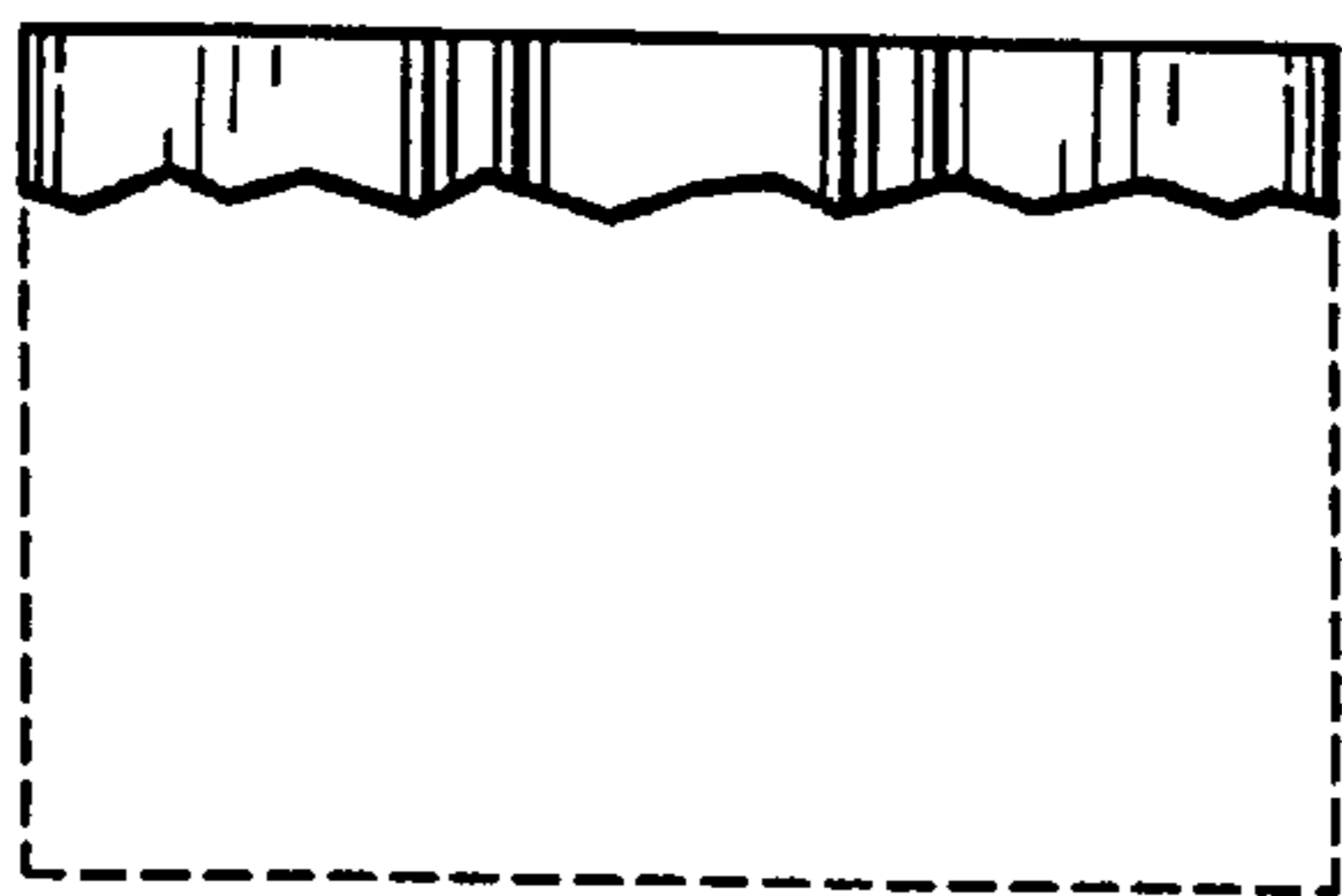


FIG. 4