



US00D409234S

United States Patent [19]

Inoue et al.

[11] Patent Number: **Des. 409,234**

[45] Date of Patent: **** May 4, 1999**

[54] **COMPUTER PRINTER**

[75] Inventors: **Manabu Inoue**, Yokohama; **Masaaki Igarashi**, Tokyo; **Naoki Tashiro**, Kawasaki, all of Japan

[73] Assignee: **Canon Kabushiki Kaisha**, Tokyo, Japan

[**] Term: **14 Years**

[21] Appl. No.: **29/082,558**

[22] Filed: **Jan. 26, 1998**

[30] **Foreign Application Priority Data**

Jul. 31, 1997 [JP] Japan 9-63547

[51] **LOC (6) Cl.** **14-02**

[52] **U.S. Cl.** **D18/54**

[58] **Field of Search** D18/50, 54-55, D18/4, 12, 14; D14/118, 141, 100, 105, 114, 116; 400/690.1-690.4, 613, 613.1-613.4, 691-694

[56] **References Cited**

U.S. PATENT DOCUMENTS

D. 338,487 8/1993 Martin D18/50

D. 352,057 11/1994 Tashiro D18/50
D. 353,154 12/1994 Suzuki D18/50
D. 364,639 11/1995 Tashiro D18/50
D. 374,888 10/1996 Udagawa D18/50
4,723,857 2/1988 Yokoi 400/693

Primary Examiner—Cathy Anne MacCormac
Attorney, Agent, or Firm—Fitzpatrick, Cella, Harper & Scinto

[57] **CLAIM**

The ornamental design for a computer printer, as shown and described.

DESCRIPTION

FIG. 1 is a front view of a computer printer showing our new design;
FIG. 2 is a rear view thereof;
FIG. 3 is a top plan view thereof;
FIG. 4 is a bottom plan view thereof;
FIG. 5 is a left side view thereof;
FIG. 6 is a right side view thereof; and,
FIG. 7 is a perspective view thereof.

1 Claim, 4 Drawing Sheets

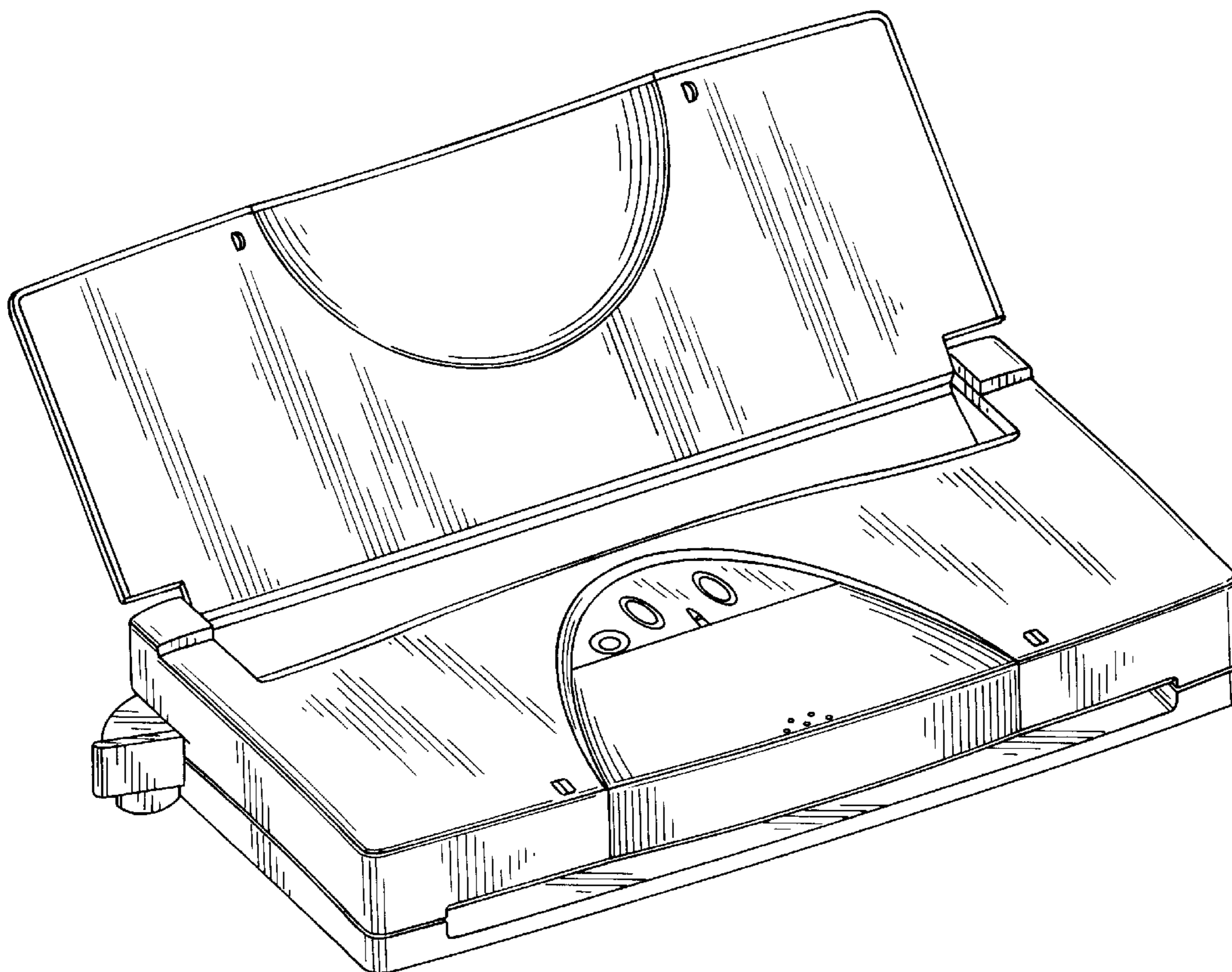


FIG. 1

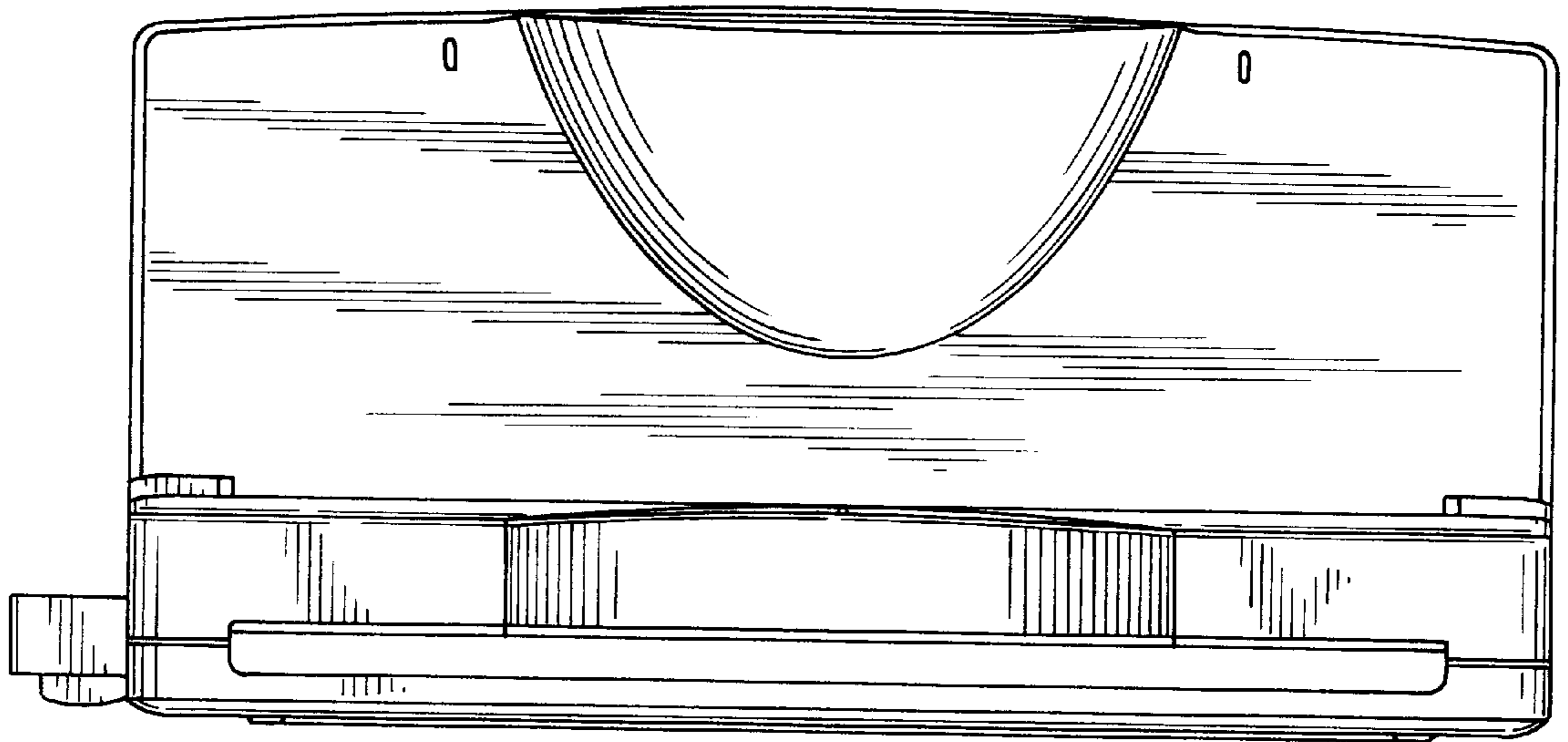


FIG. 2

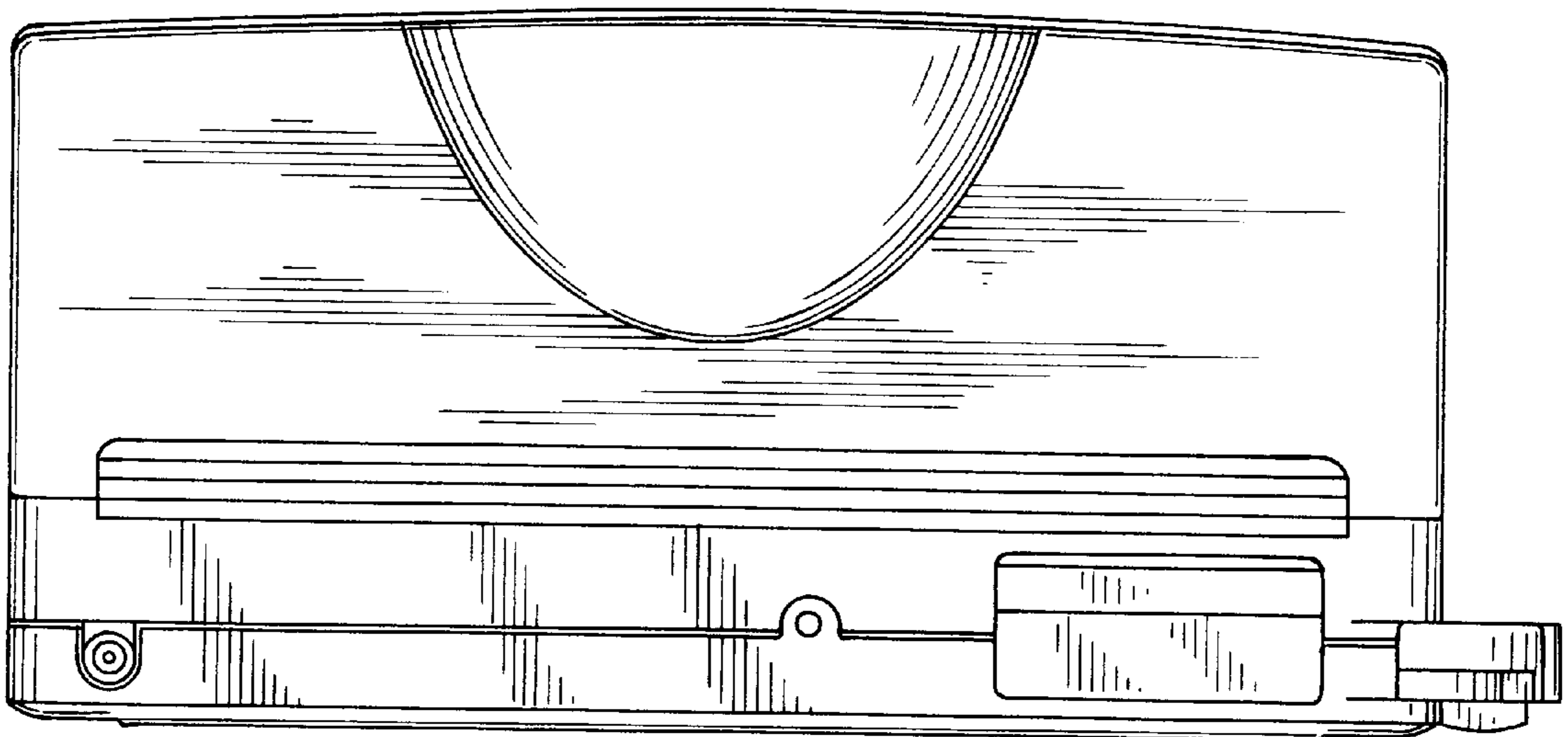


FIG. 3

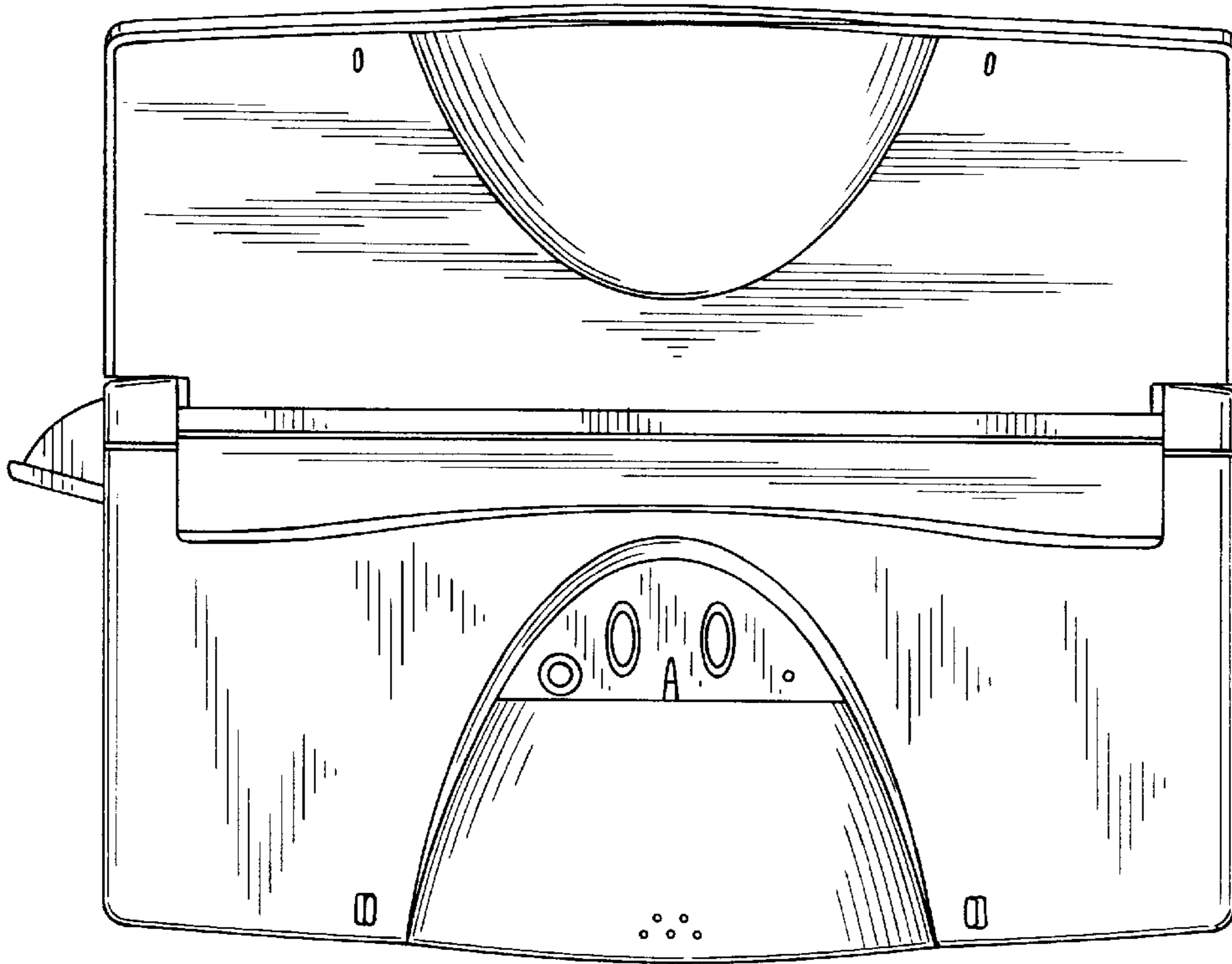
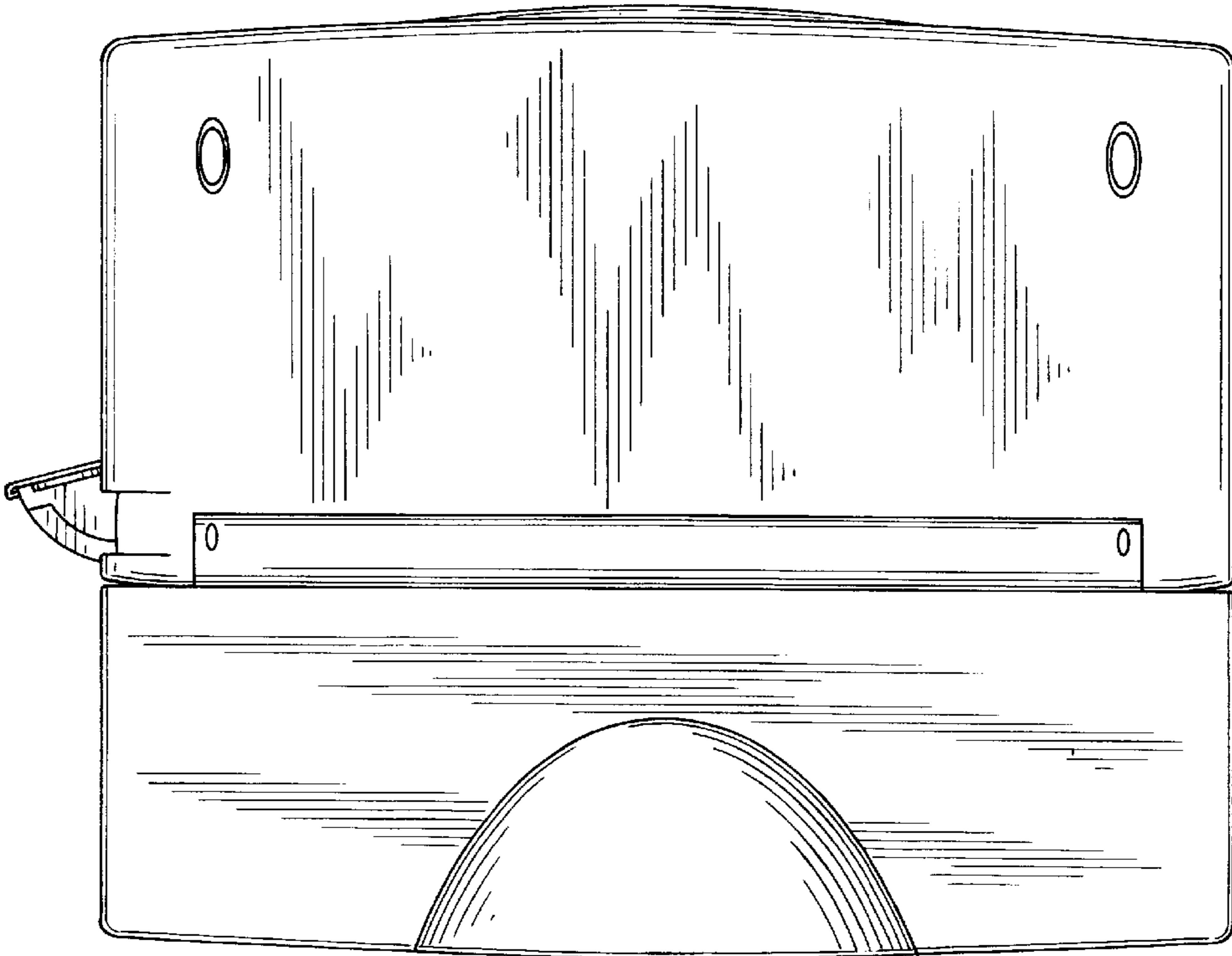


FIG. 4



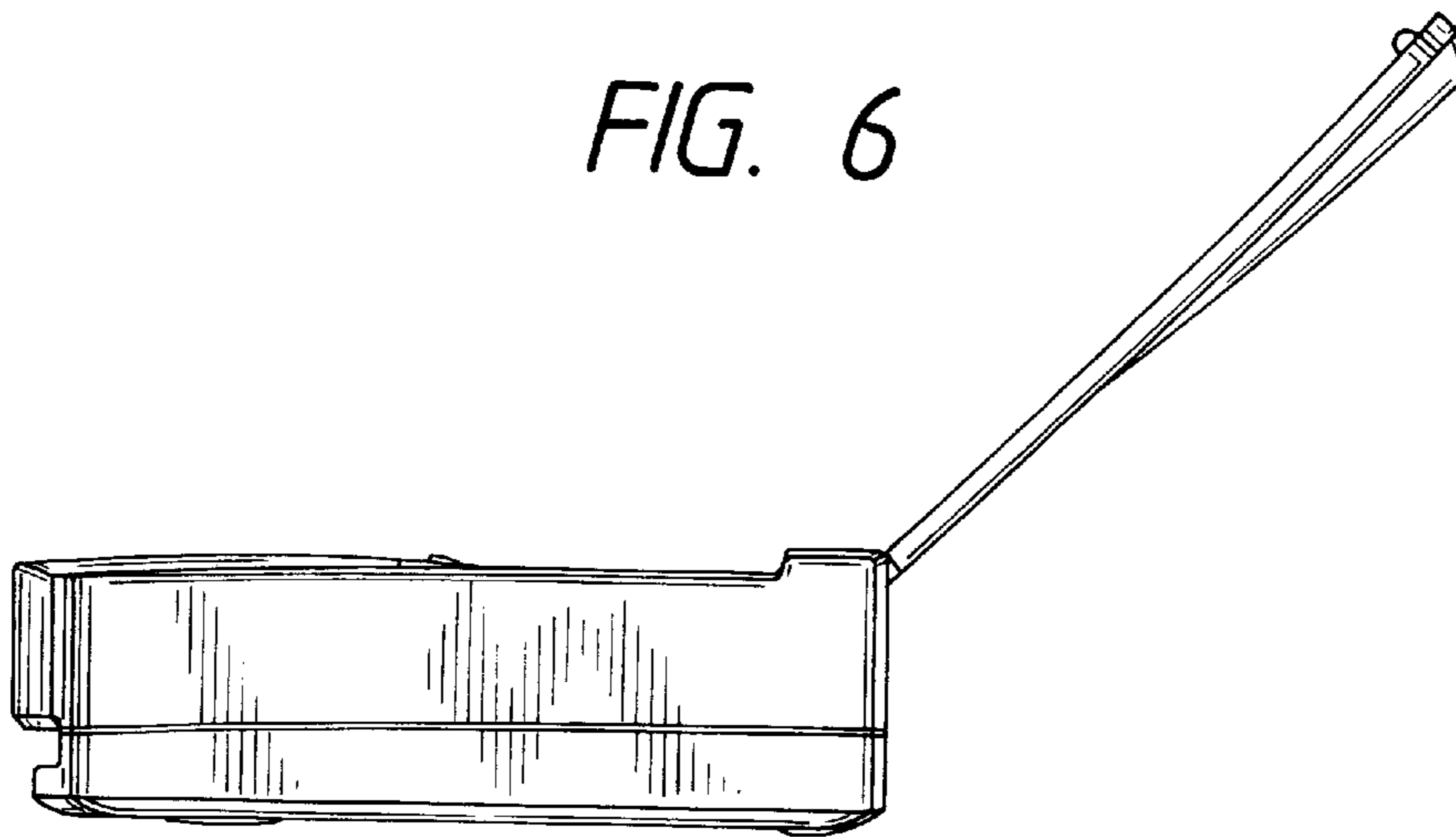
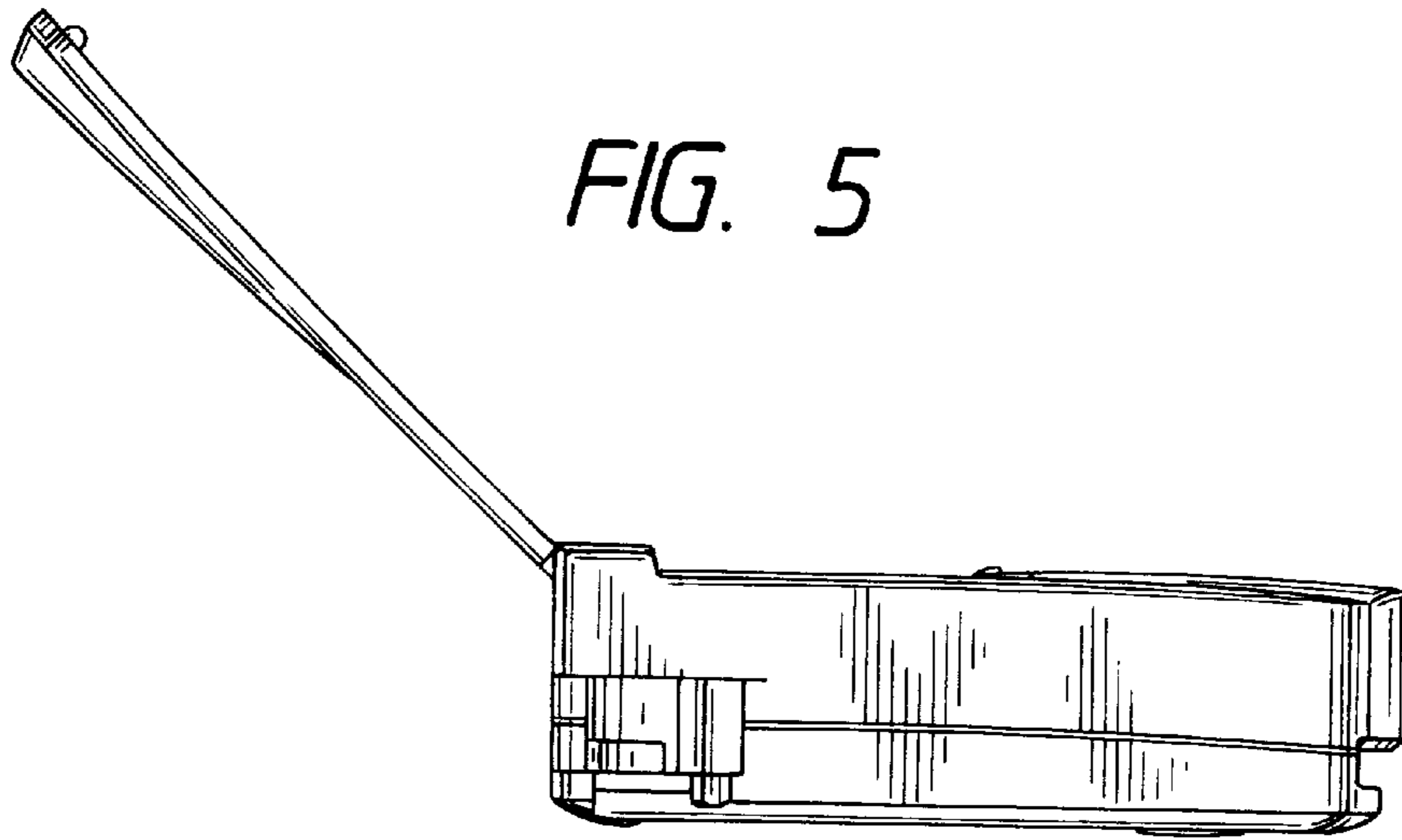


FIG. 7

