



US00D409233S

United States Patent [19] Kondo

[11] Patent Number: **Des. 409,233**

[45] Date of Patent: **** May 4, 1999**

[54] **PRINTER WITH SCANNER**

[75] Inventor: **Shozo Kondo**, Tokyo, Japan

[73] Assignee: **Fuji Photo Film Co., Ltd.**, Kanagawa, Japan

[**] Term: **14 Years**

[21] Appl. No.: **29/080,505**

[22] Filed: **Dec. 10, 1997**

[30] **Foreign Application Priority Data**

Jun. 17, 1997 [JP] Japan 9-58342

[51] **LOC (6) Cl.** **14-02**

[52] **U.S. Cl.** **D18/54**

[58] **Field of Search** D18/50, 54-55, D18/4, 12, 14; D14/118, 141, 105, 114, 100, 116; 400/690.1-690.4, 691-694, 613, 613.1-613.4

[56] **References Cited**

U.S. PATENT DOCUMENTS

- D. 191,332 9/1961 Maul D18/14
- D. 261,152 10/1981 Barbour D18/14
- D. 280,900 10/1985 Tsumura et al. D18/54

- D. 293,578 1/1988 Matsumoto et al. D14/111
- D. 295,416 4/1988 Glaberson D14/116
- D. 306,312 2/1990 Cunnane et al. D18/14
- D. 307,894 5/1990 Siemiatkowski D14/116
- D. 361,084 8/1995 Yamanaka et al. D18/50
- D. 363,733 10/1995 Sugimoto D18/50
- D. 374,888 10/1996 Udagawa D18/50
- D. 377,345 1/1997 Karlin D14/116
- 2,366,106 12/1944 Helmond 400/693

Primary Examiner—Cathy Anne MacCormac
Attorney, Agent, or Firm—Young & Thompson

[57] **CLAIM**

The ornamental design for a printer with scanner, as shown.

DESCRIPTION

FIG. 1 is a top, front and side perspective view of a printer with scanner showing my new design;
 FIG. 2 is a front elevational view thereof;
 FIG. 3 is a rear elevational view thereof;
 FIG. 4 is a top plan view thereof;
 FIG. 5 is a bottom plan view thereof;
 FIG. 6 is a side elevational view thereof from the left of FIG. 2; and,
 FIG. 7 is a side elevational view thereof from the right of FIG. 2.

1 Claim, 6 Drawing Sheets

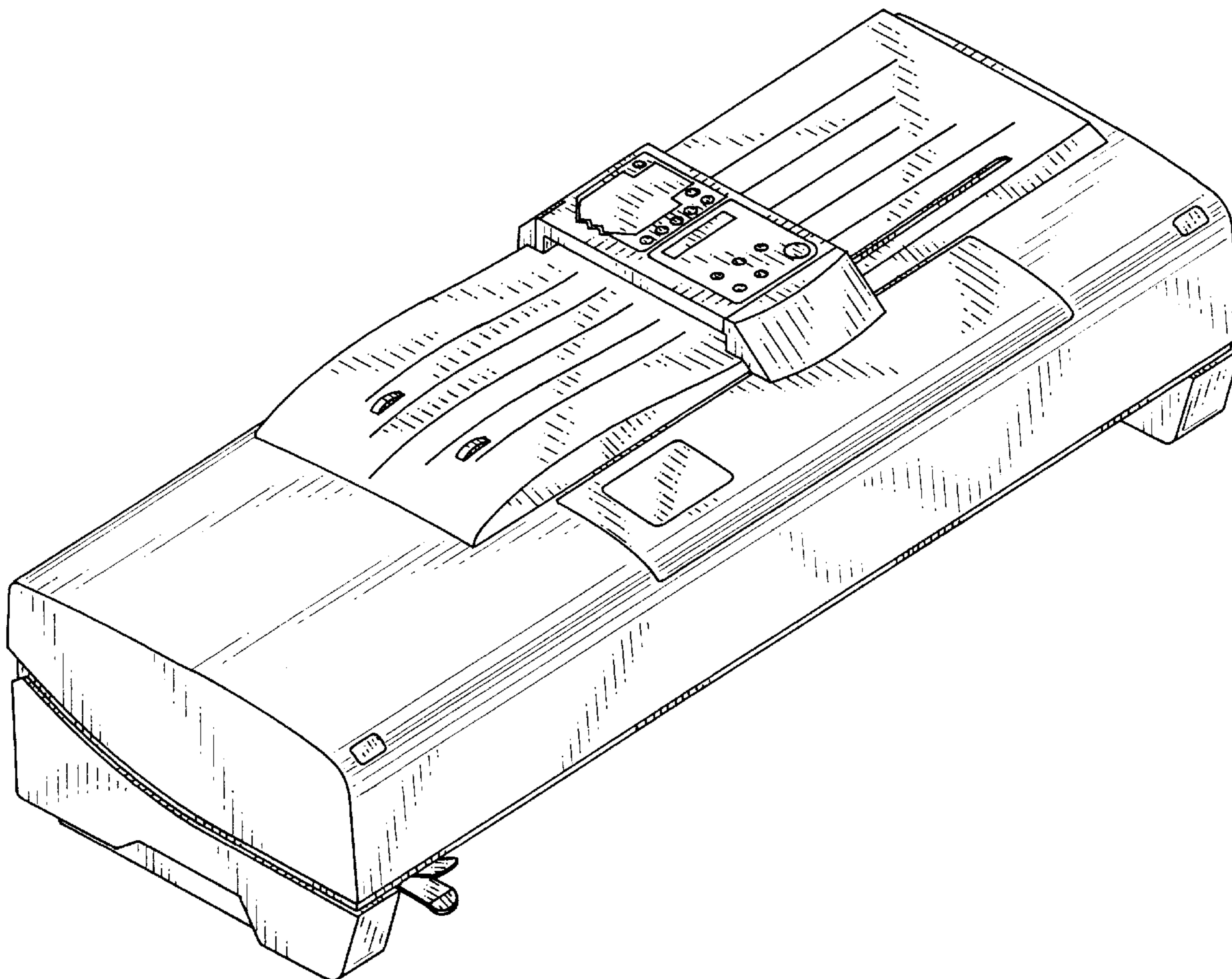


FIG. 1

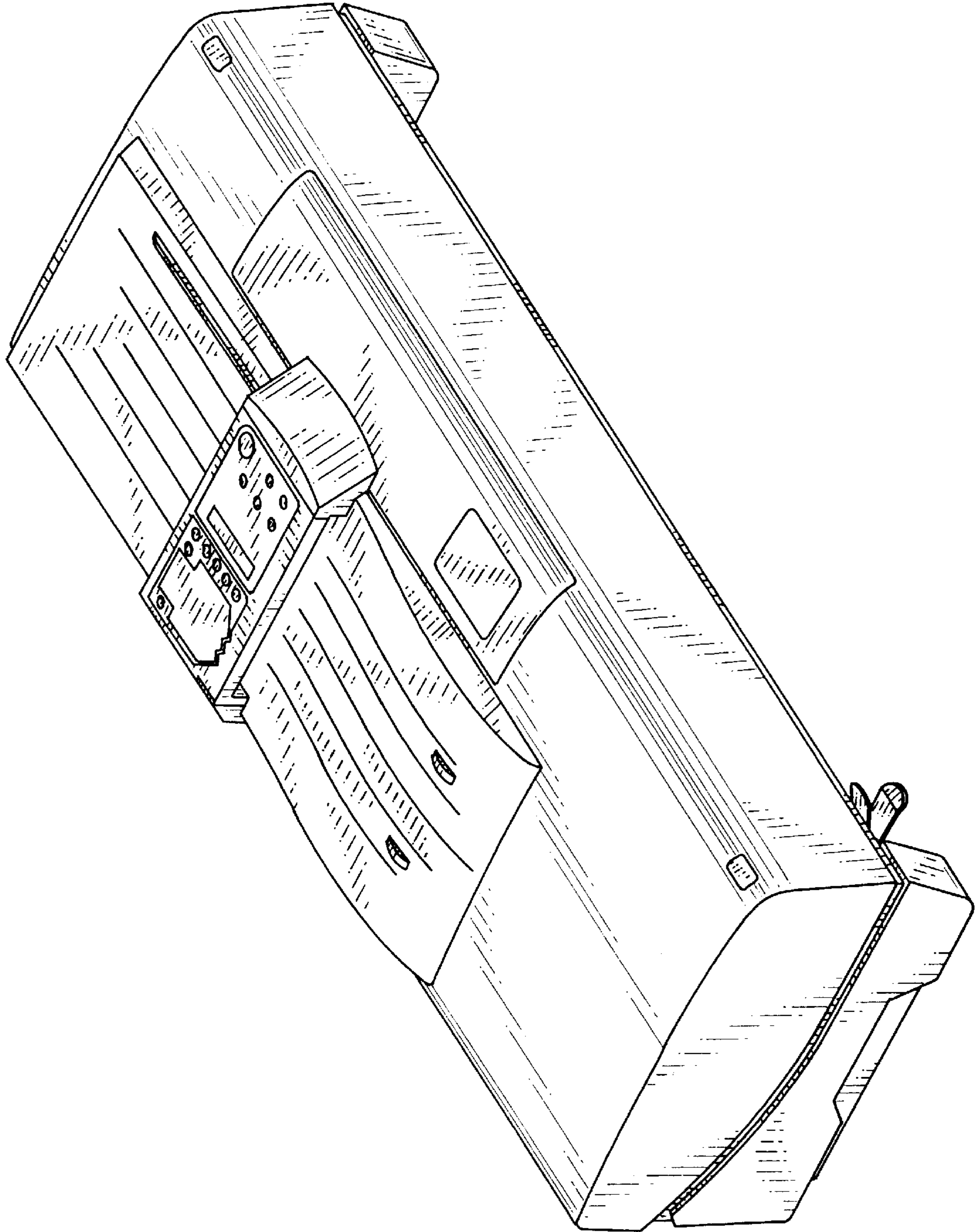


FIG. 2

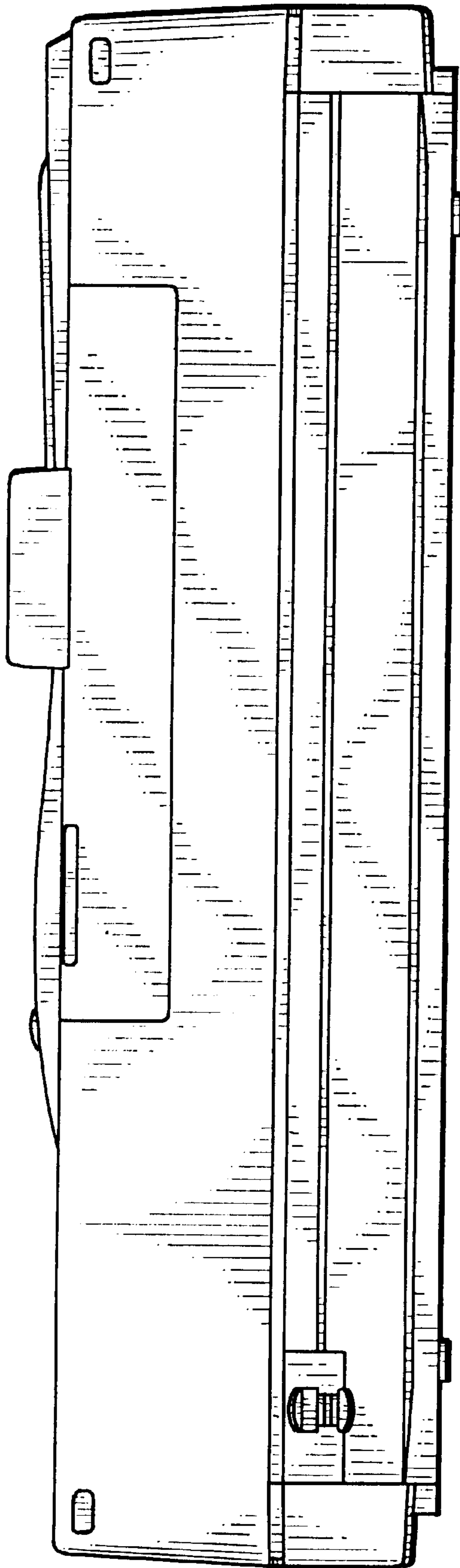


FIG. 3

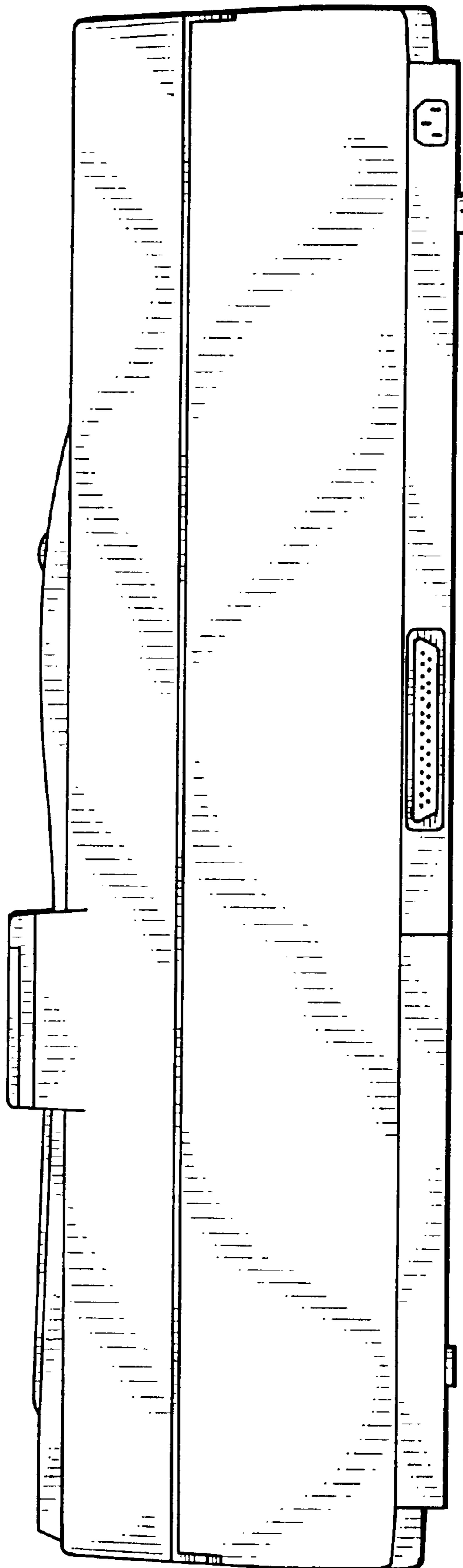


FIG. 4

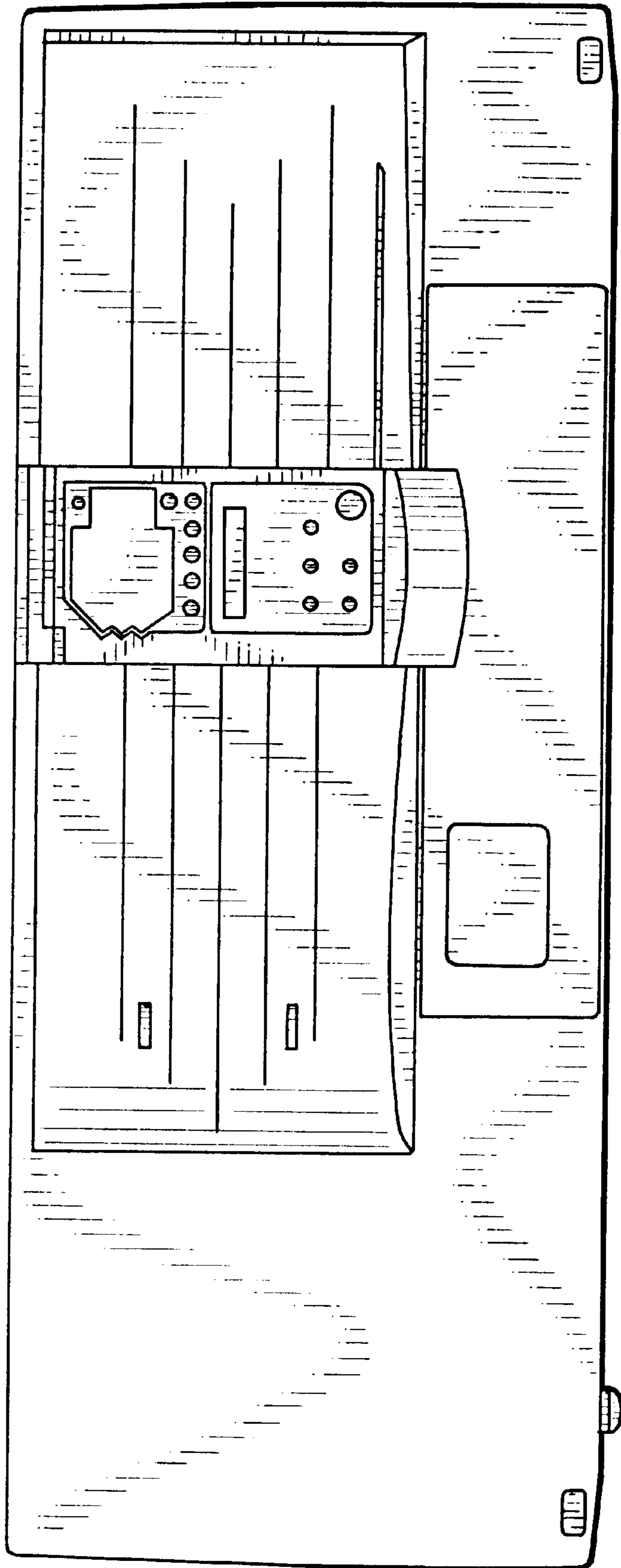


FIG. 5

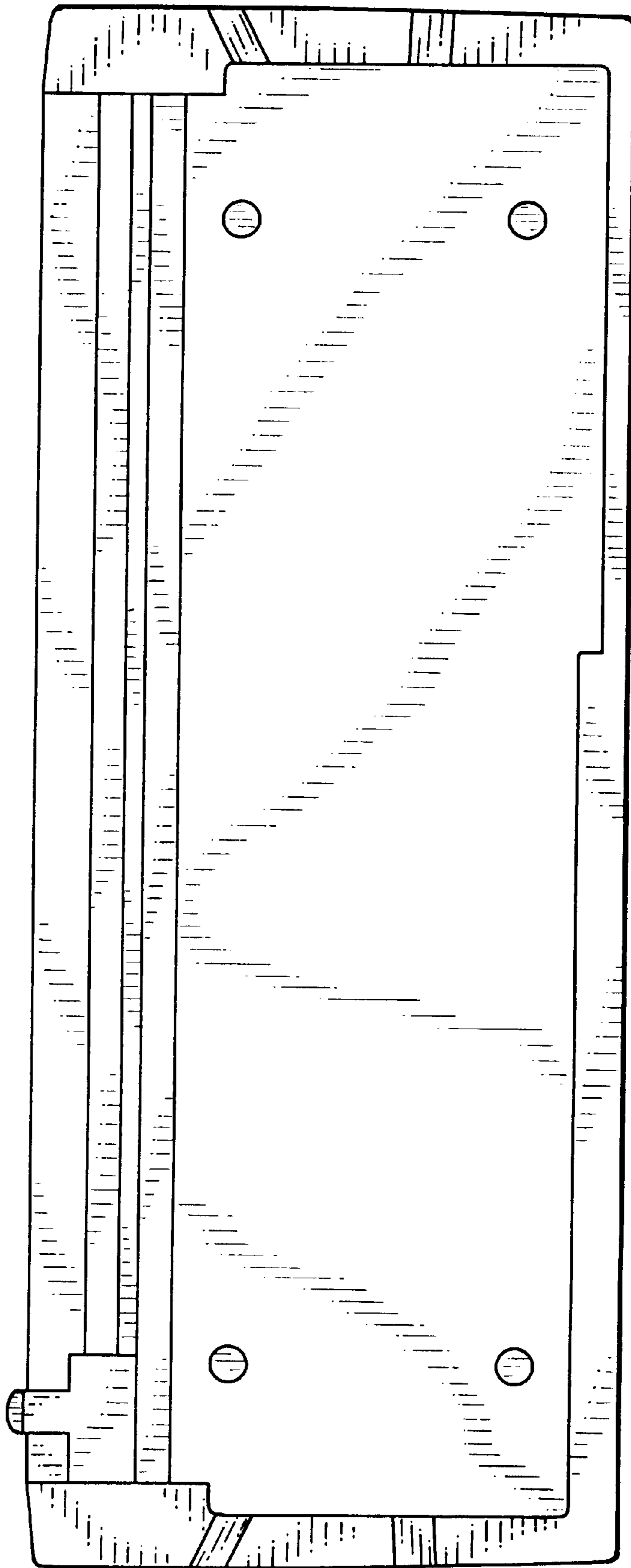


FIG. 7

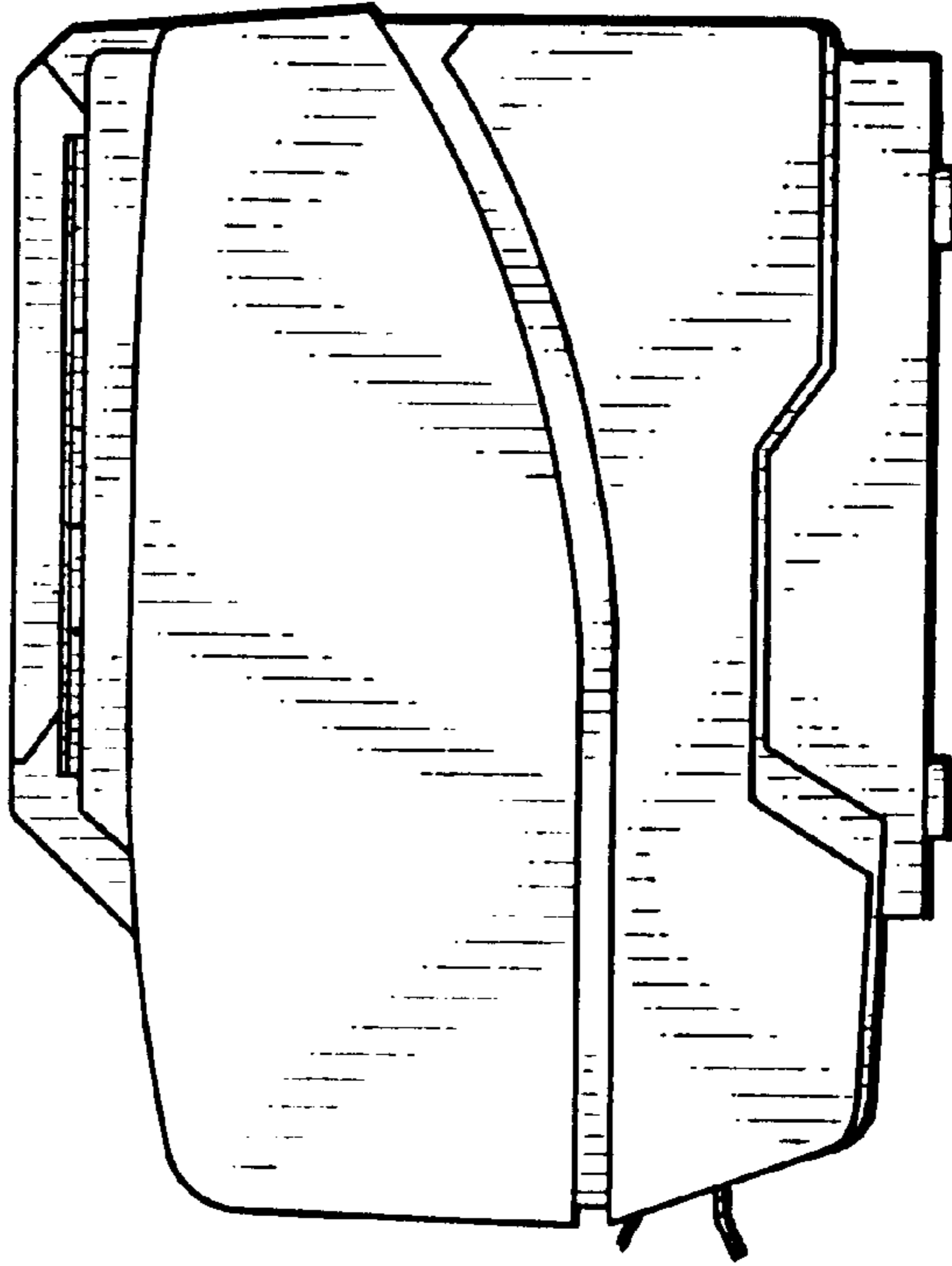


FIG. 6

