



US00D409232S

United States Patent [19] Kim

[11] Patent Number: Des. 409,232

[45] Date of Patent: ** May 4, 1999

[54] PRINTER

[75] Inventor: Hack Cheol Kim, Seoul, Rep. of Korea

[73] Assignee: LG Industrial Systems Co., Ltd.,
Seoul, Rep. of Korea

[**] Term: 14 Years

[21] Appl. No.: 29/075,102

[22] Filed: Aug. 15, 1997

[30] Foreign Application Priority Data

Apr. 22, 1997 [KR] Rep. of Korea 97-7873

[51] LOC (6) Cl. 14-02

[52] U.S. Cl. D18/50

[58] Field of Search D18/50, 54, 55,
D18/36-37; 400/613, 613.1-613.4, 691-694,
690.1-690.4

[56] References Cited

U.S. PATENT DOCUMENTS

- D. 286,654 11/1986 Picard D18/50
- D. 324,234 2/1992 Tanaka D18/54
- D. 333,316 2/1993 Ishizawa D18/55

- D. 340,471 10/1993 Tamamoto D18/50
- D. 343,190 1/1994 Ishizawa et al. D18/50
- D. 347,021 5/1994 Adams et al. D18/50
- D. 355,437 2/1995 Reph D18/50
- D. 376,384 12/1996 Woei-Fand D18/55
- D. 386,515 11/1997 Smmerville et al. D18/50
- 4,623,418 11/1986 Gombrich et al. D18/50
- 4,772,147 9/1988 Ohtani 400/690.1
- 5,382,105 1/1995 Iguchi et al. D18/55

Primary Examiner—Cathy Anne MacCormac

[57] CLAIM

Mr. Hack Cheol Kim claims the ornamental design for printer, as shown and described.

DESCRIPTION

FIG. 1 is a perspective view of the printer showing the new design;
 FIG. 2 is a front view thereof;
 FIG. 3 is a rear elevational view thereof;
 FIG. 4 is a top plan view thereof;
 FIG. 5 is a bottom plan view thereof; and,
 FIG. 6 is a right-side elevational view thereof (a left-side view thereof is a mirror image).

1 Claim, 4 Drawing Sheets

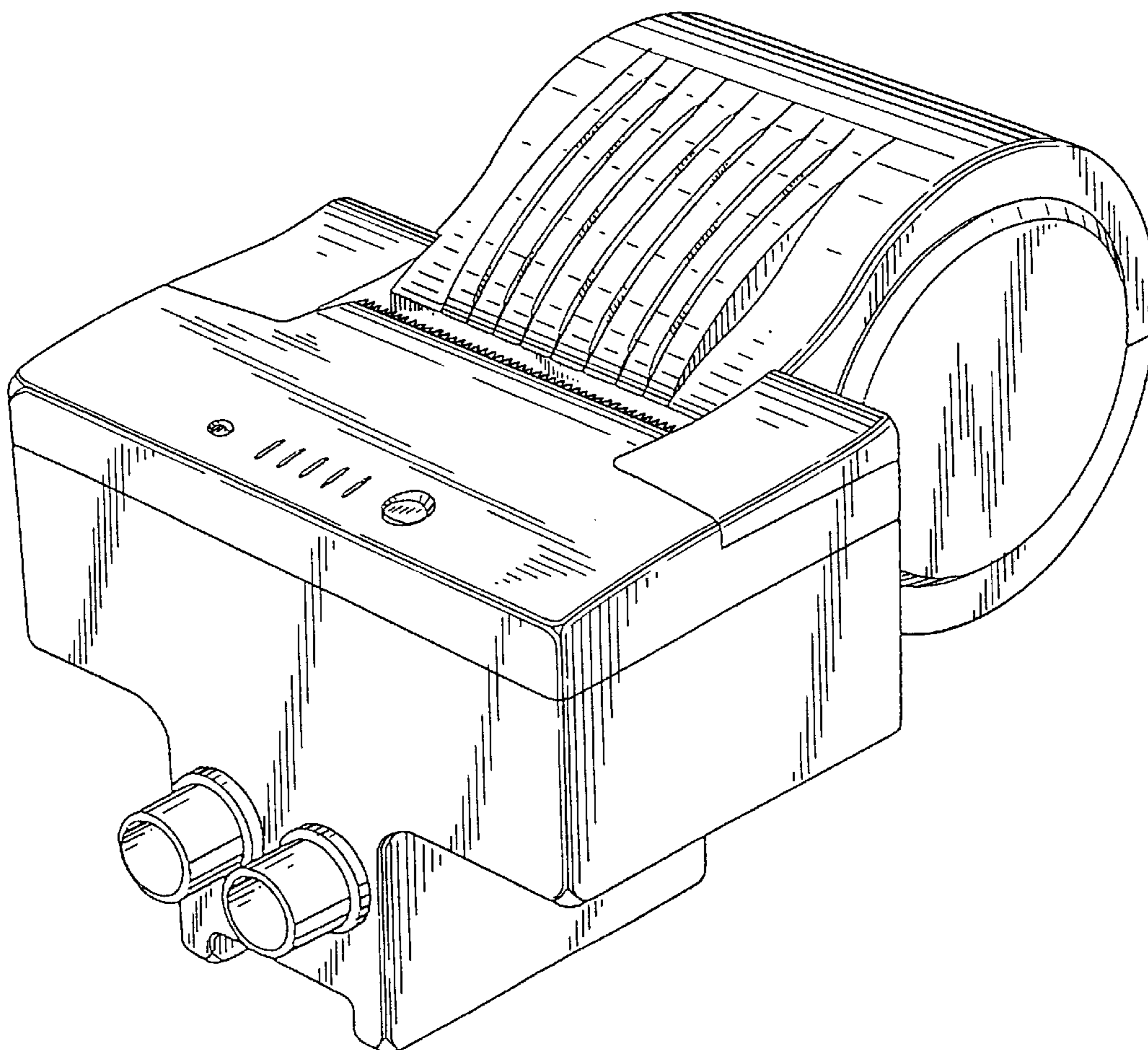


FIG. 1

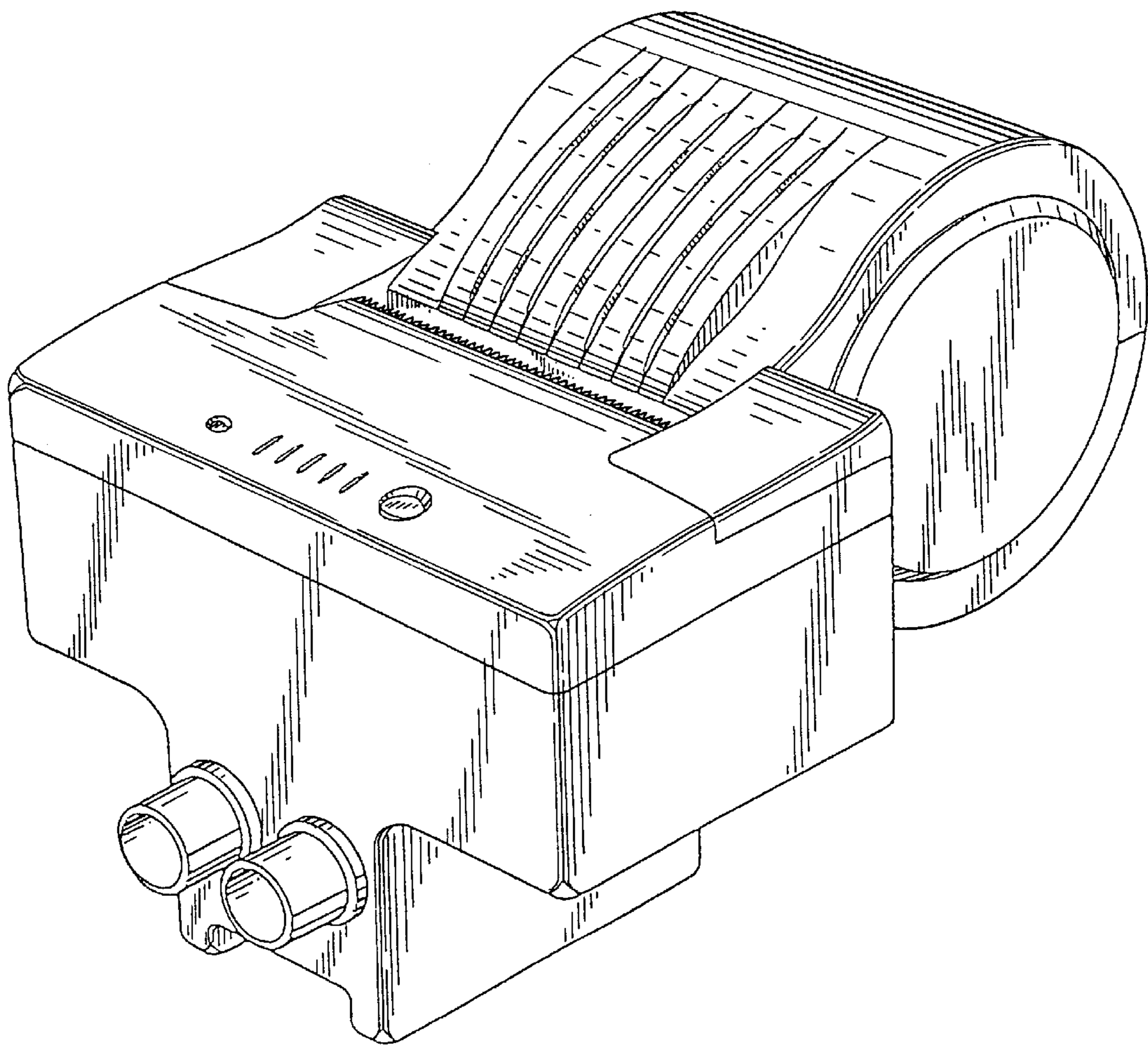


FIG. 2

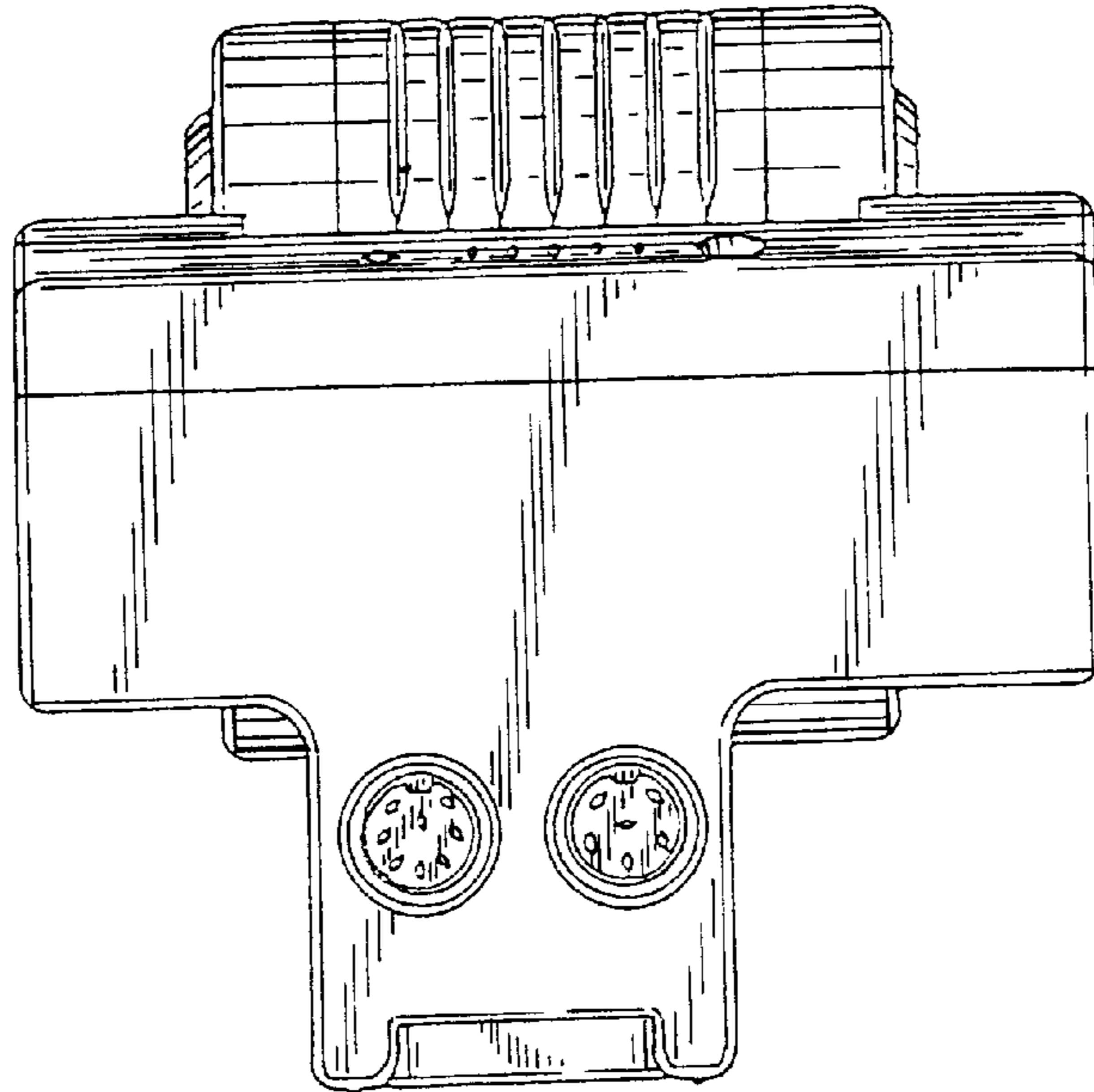


FIG. 3

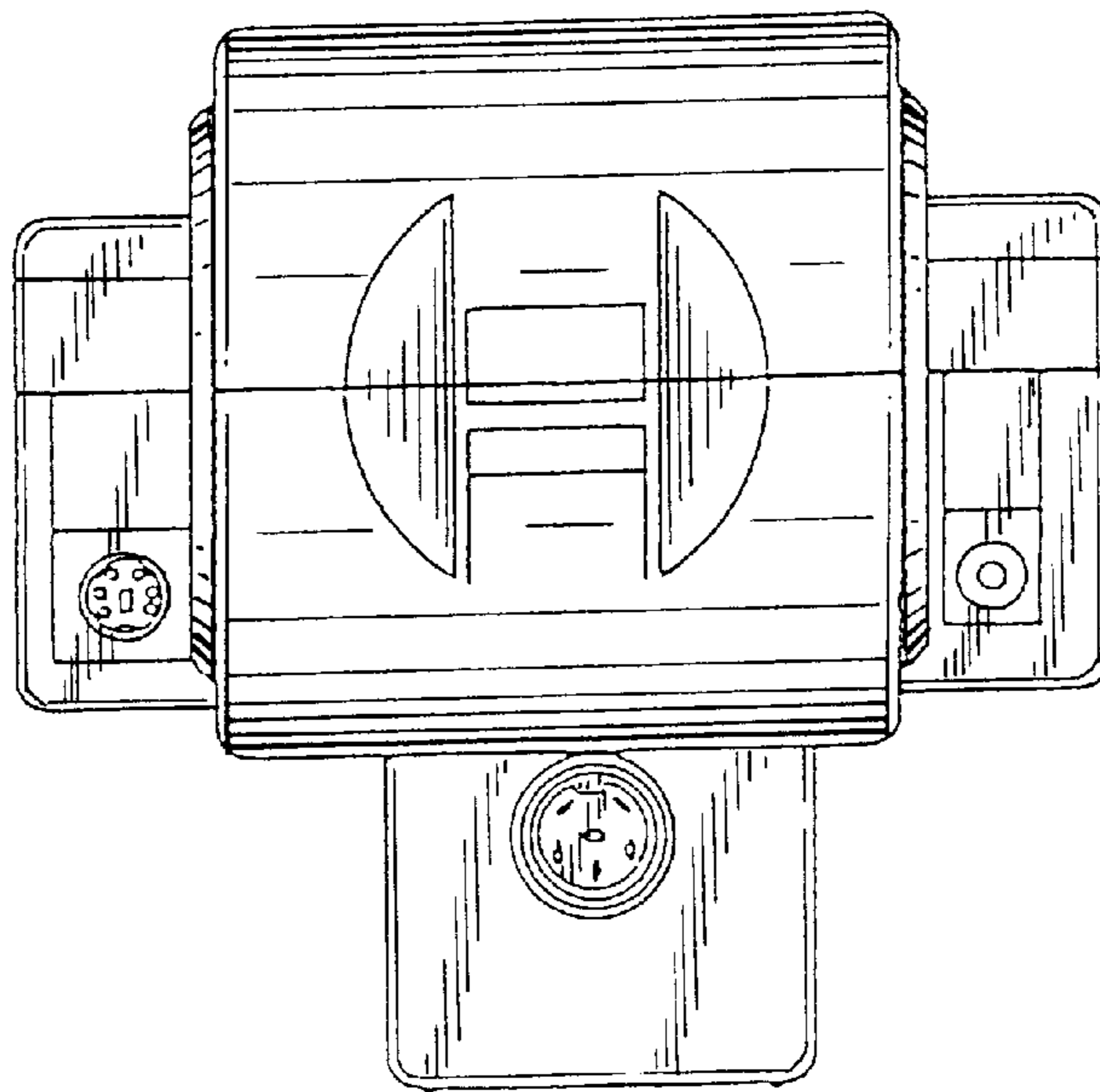


FIG. 4

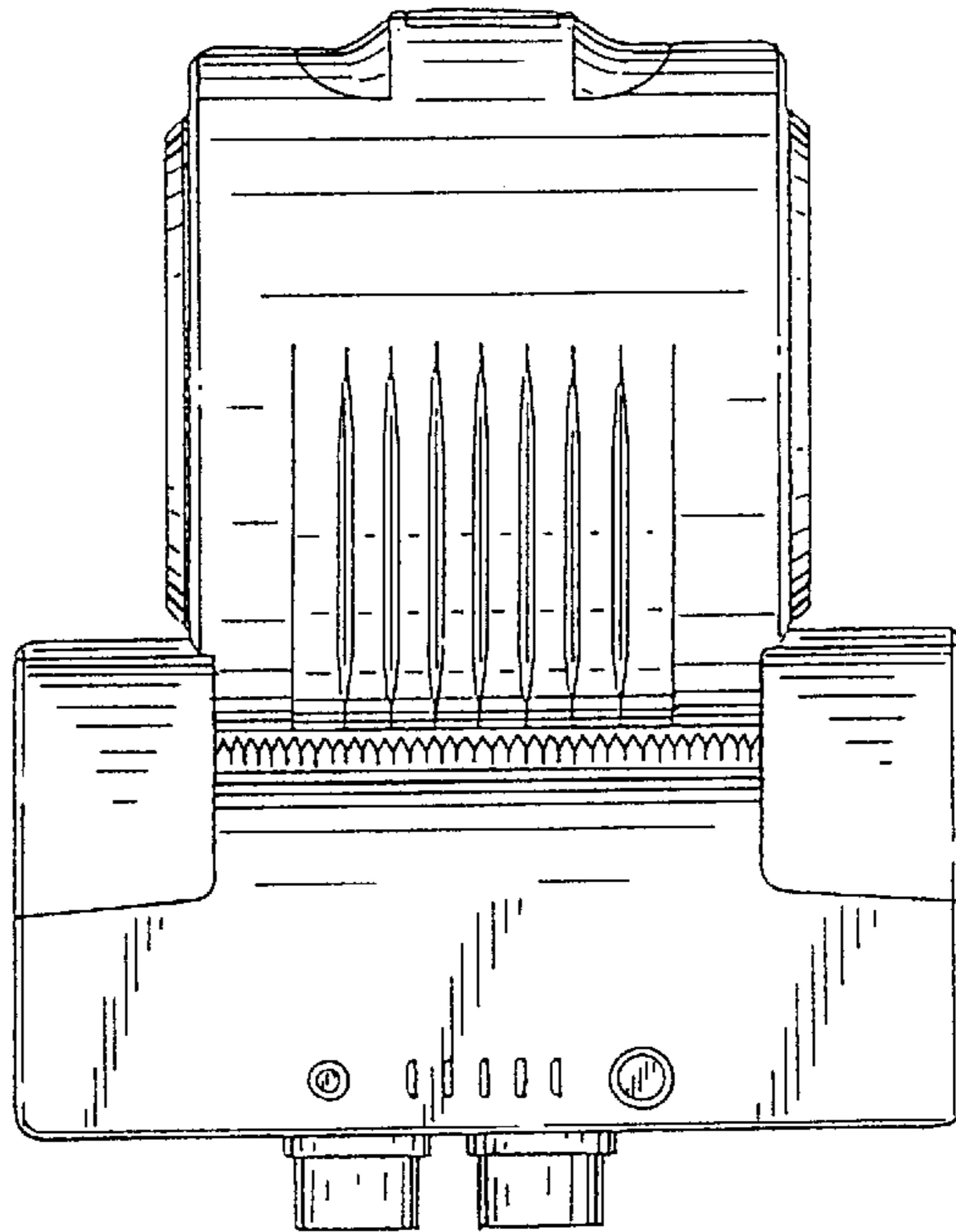


FIG. 5

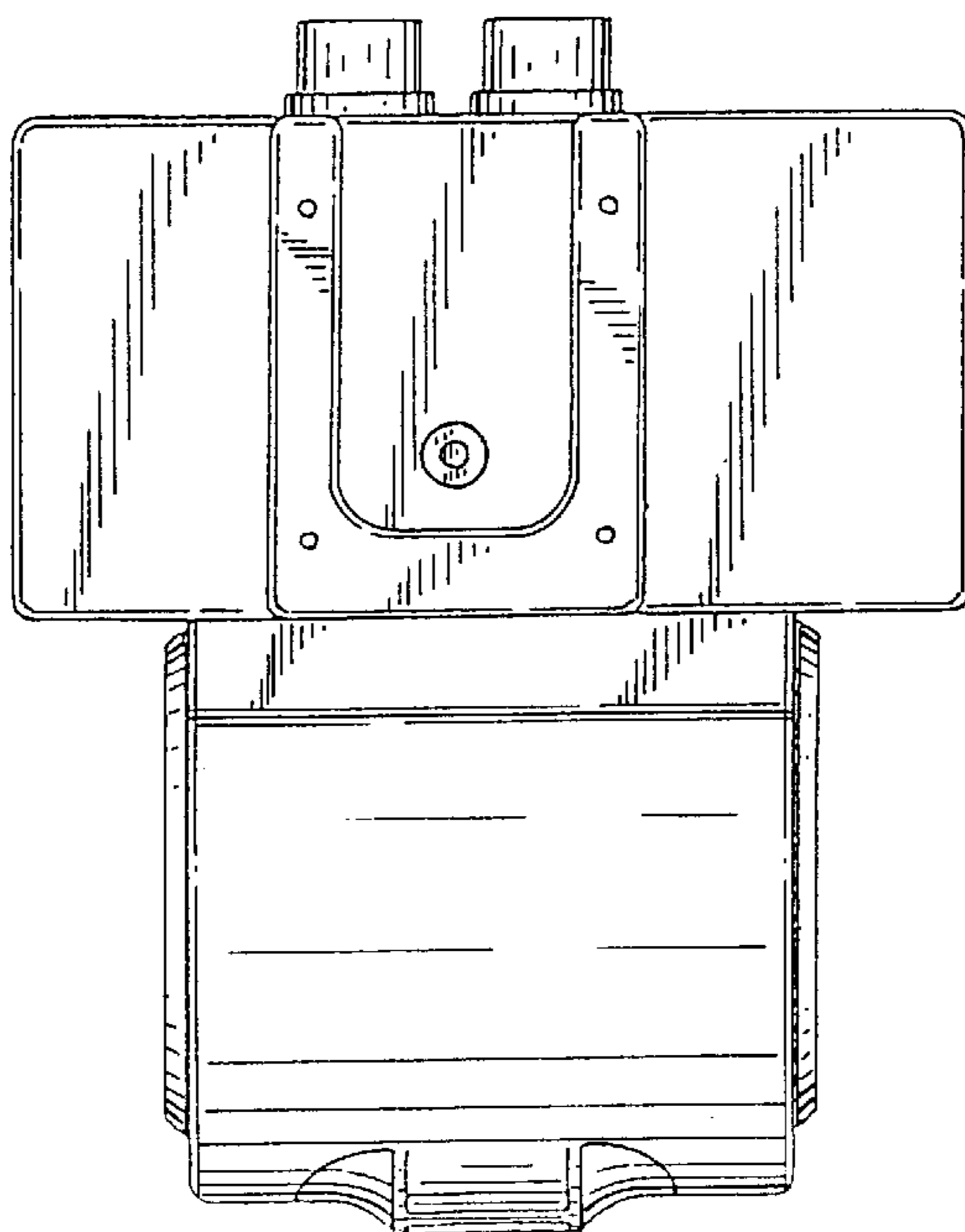


FIG. 6

