



US00D409228S

United States Patent [19]
Yoshitake

[11] **Patent Number: Des. 409,228**

[45] **Date of Patent: ** May 4, 1999**

[54] **ELECTRONIC CASH REGISTER**

D. 354,976 1/1995 Miyake et al. D18/4
D. 384,367 9/1997 Jung D18/4
D. 391,601 3/1998 Kanaoka D18/4

[75] Inventor: **Isamu Yoshitake**, Tokyo, Japan

[73] Assignee: **Casio Computer Co., Ltd.**, Tokyo, Japan

Primary Examiner—Caron D. Veynar
Attorney, Agent, or Firm—Frishauf, Holtz, Goodman, Langer & Chick

[**] Term: **14 Years**

[57] **CLAIM**

[21] Appl. No.: **29/079,791**

The ornamental design for electronic cash register, as shown.

[22] Filed: **Nov. 20, 1997**

DESCRIPTION

[51] **LOC (6) Cl.** **18-01**

[52] **U.S. Cl.** **D18/4; D14/105**

[58] **Field of Search** D18/2, 4, 6, 7, D18/11; D14/100, 105, 106, 115; 235/1 D, 1 E, 2, 4, 7 R, 10, 145, 375, 380, 419; 364/404, 405

FIG. 1 is a front, top and left side perspective view of electronic cash register, showing my new design; FIG. 2 is a rear elevational view thereof; FIG. 3 is a front elevational view thereof; FIG. 4 is a right side elevational view thereof; FIG. 5 is a left side elevational view thereof; FIG. 6 is a top plan view thereof; and, FIG. 7 is a bottom plan view thereof.

[56] **References Cited**

U.S. PATENT DOCUMENTS

D. 330,908 11/1992 Kawaishi et al. D18/4

1 Claim, 2 Drawing Sheets

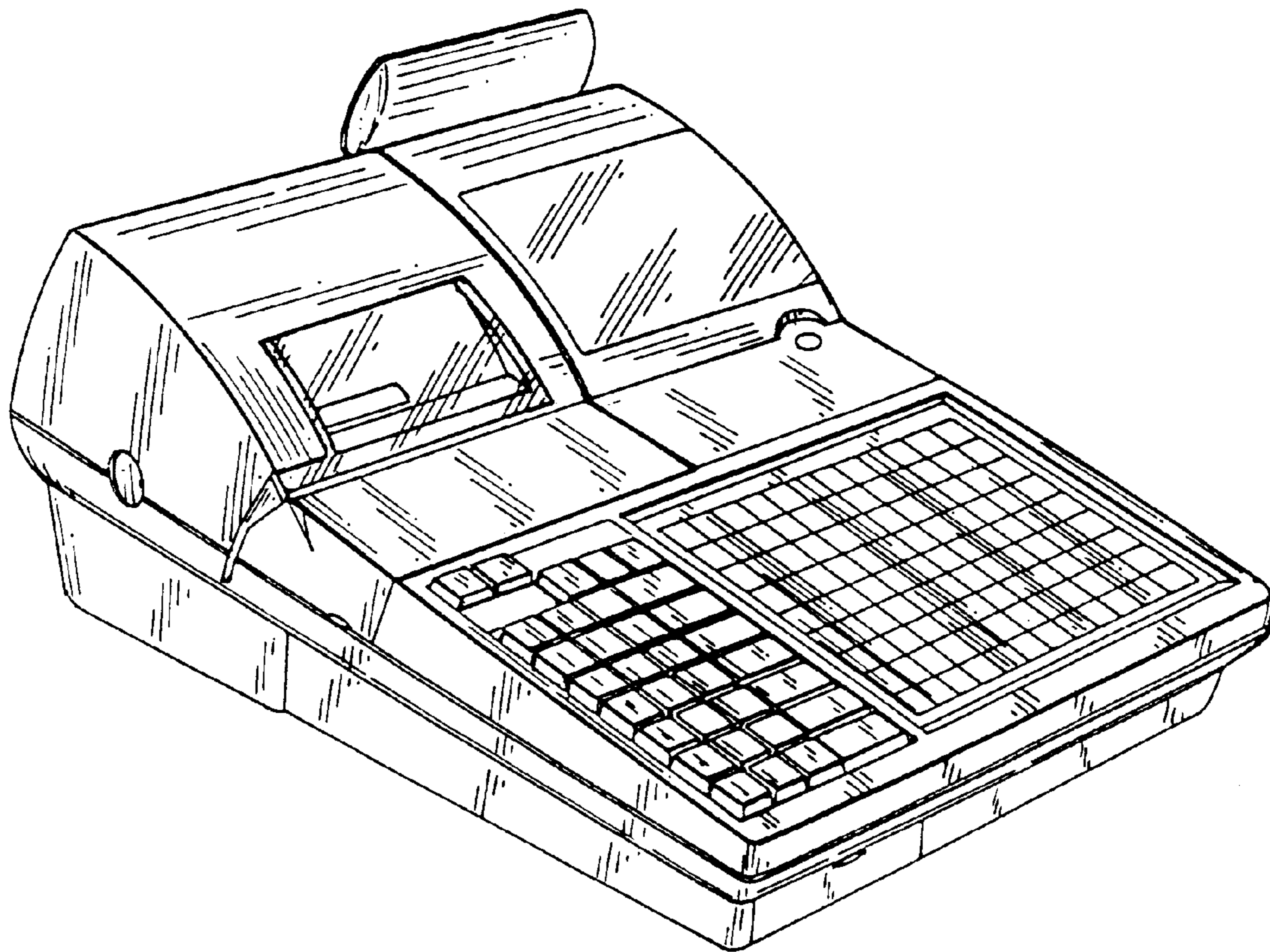


FIG. 1

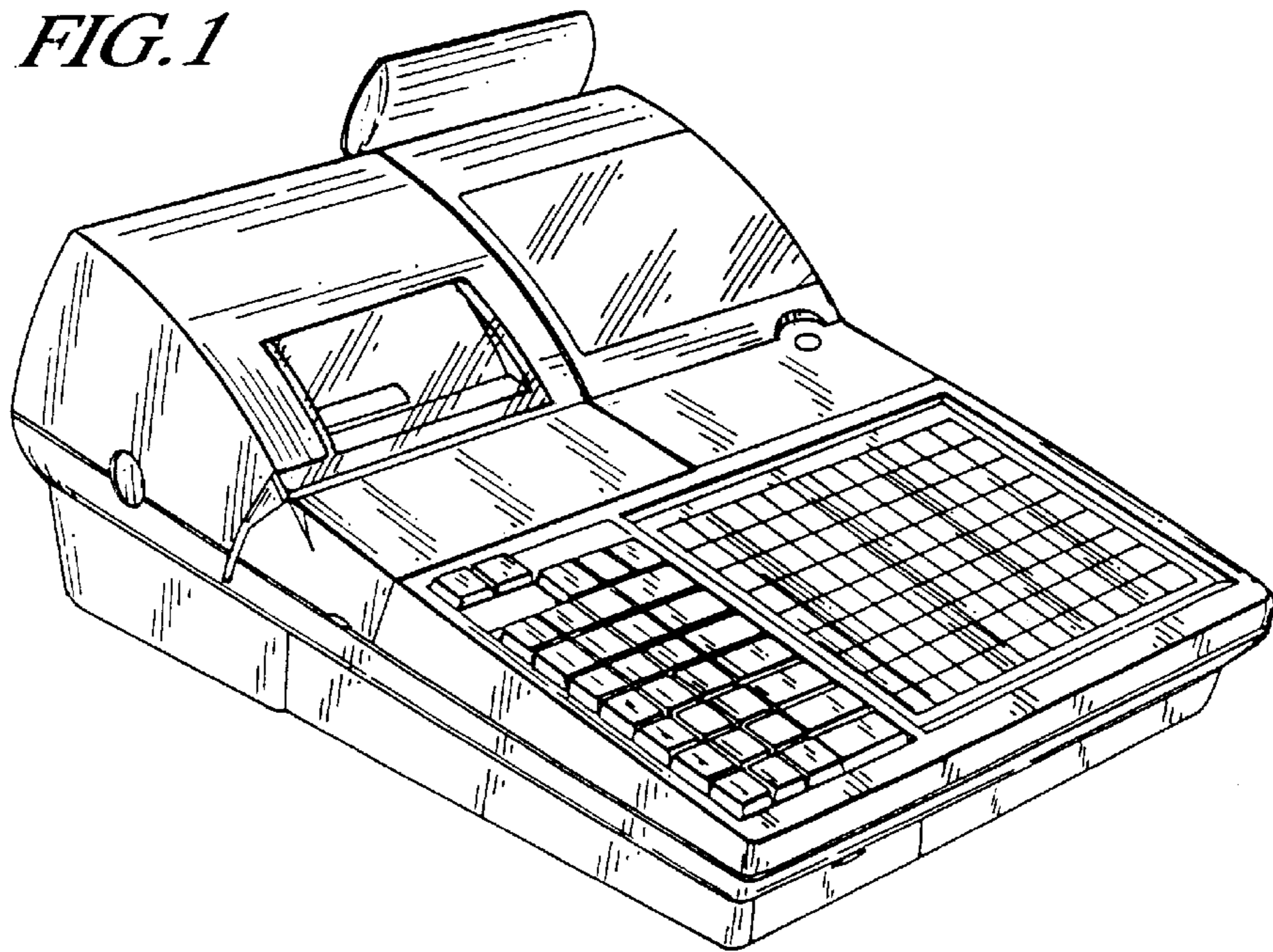


FIG. 2

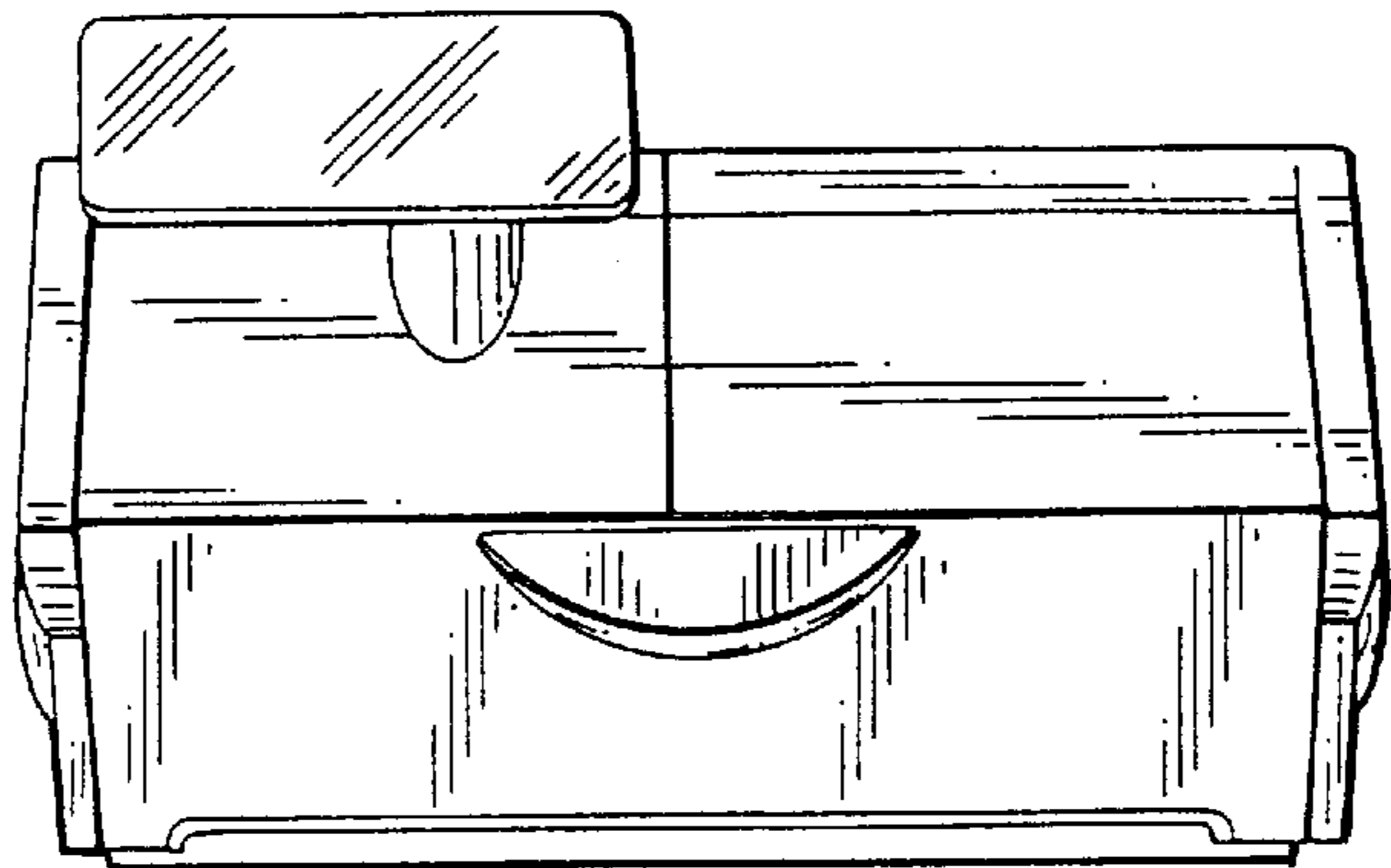


FIG. 3

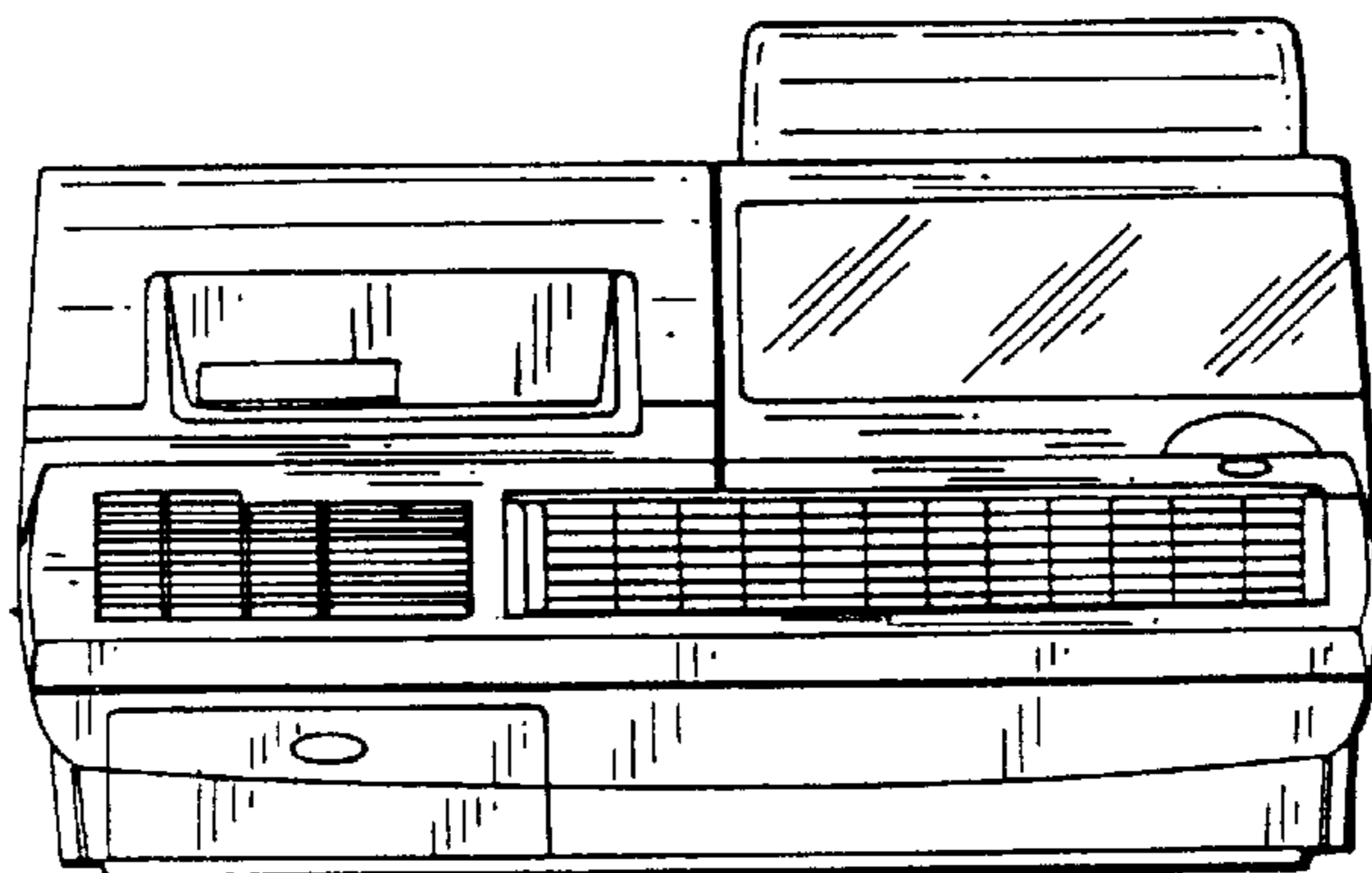


FIG. 4

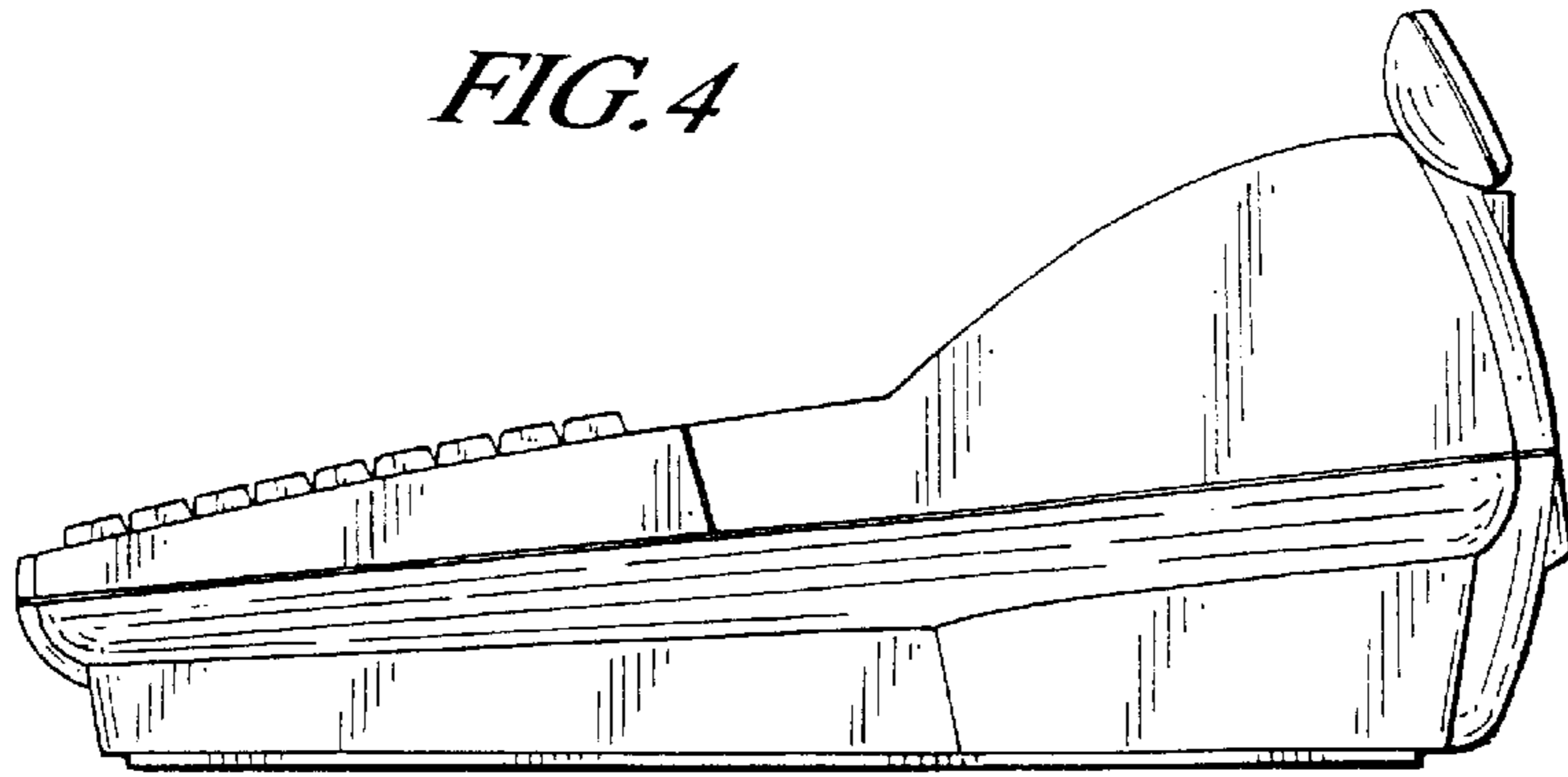


FIG. 5

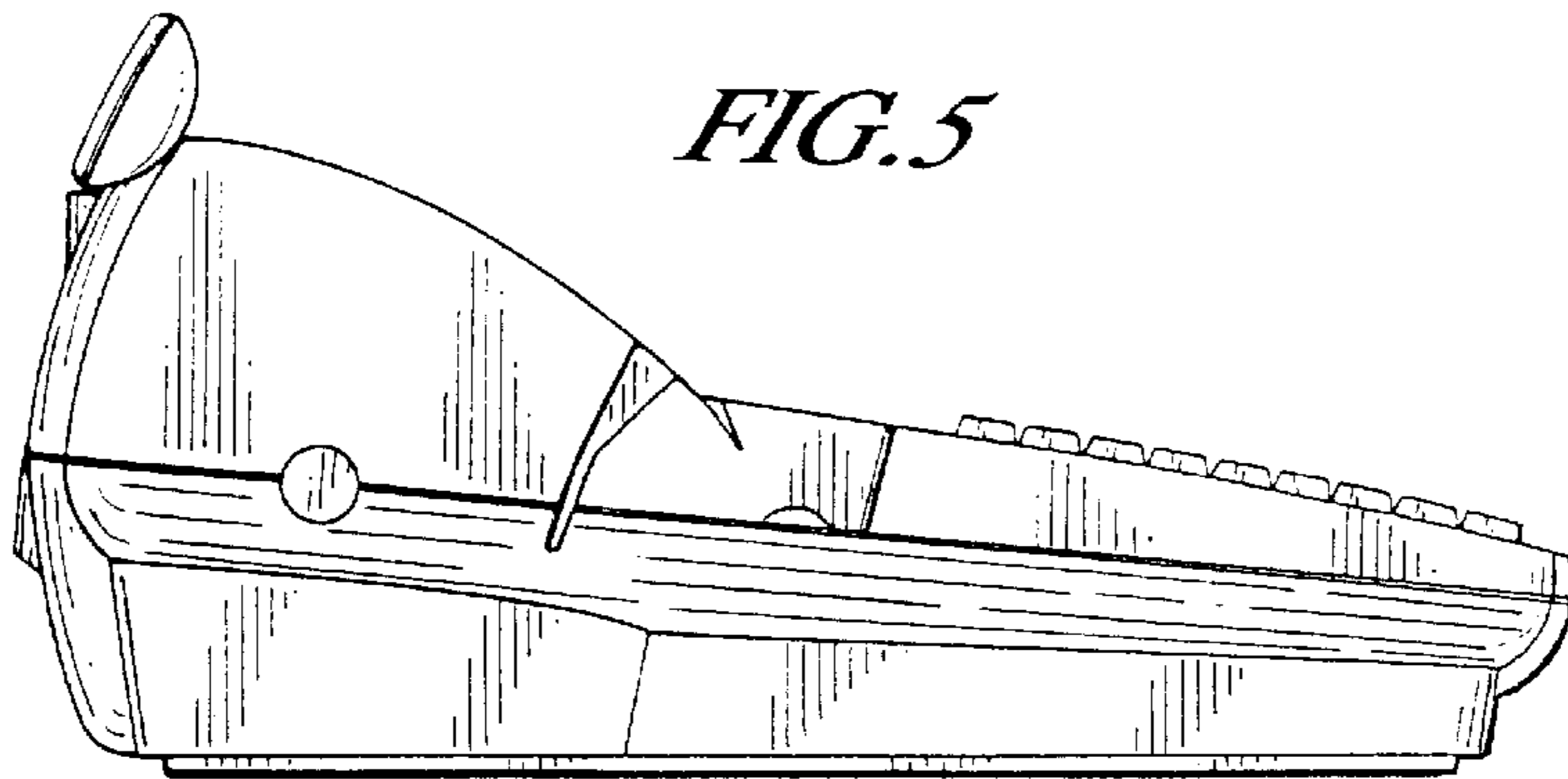


FIG. 6

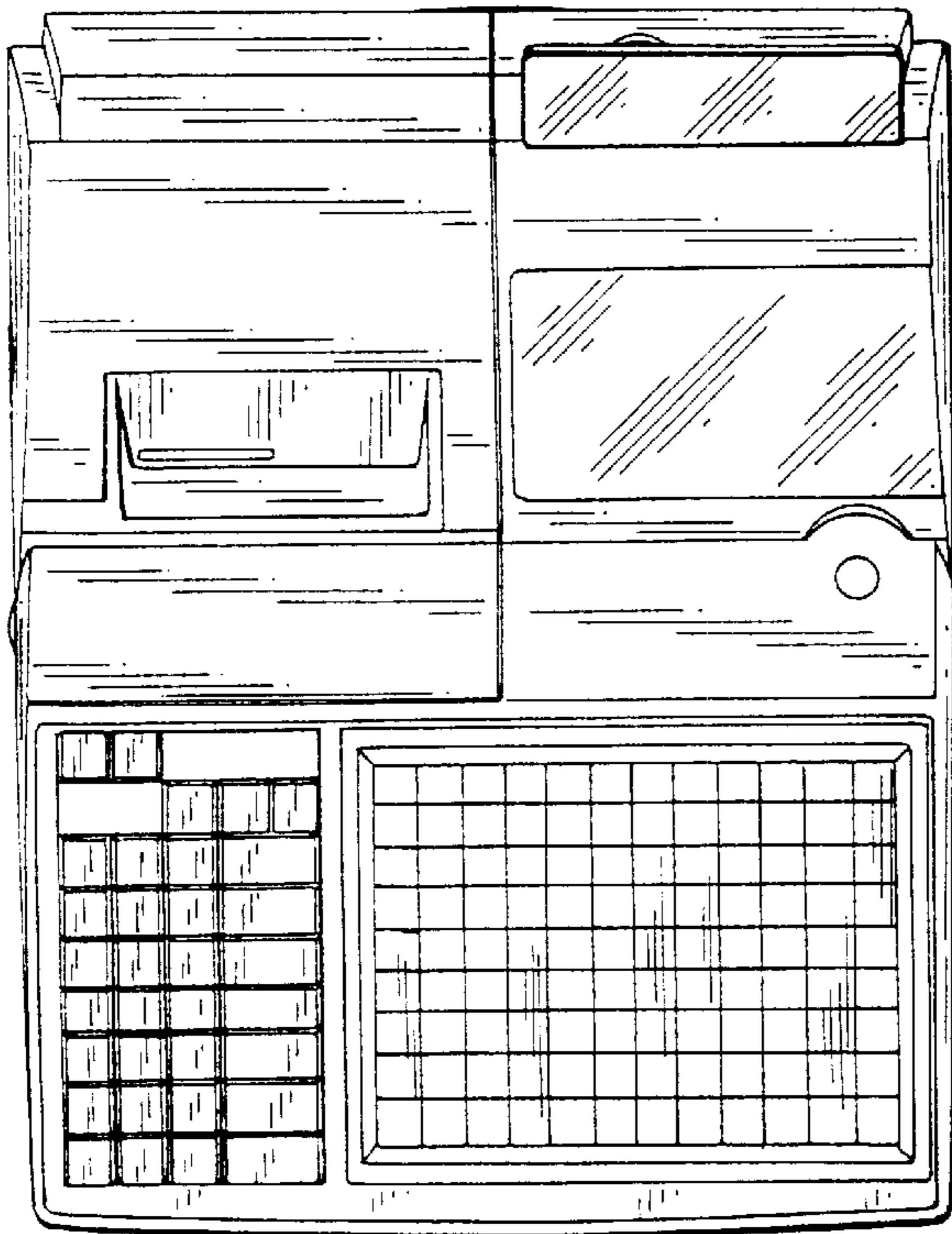


FIG. 7

