



US00D409216S

# United States Patent [19]

Nasu

[11] Patent Number: **Des. 409,216**

[45] Date of Patent: **\*\* May 4, 1999**

[54] **35MM CAMERA**

[75] Inventor: **Miyoshi Nasu**, Tokyo, Japan

[73] Assignee: **Asahi Kogaku Kogyo Kabushiki Kaisha**, Tokyo, Japan

[\*\*] Term: **14 Years**

[21] Appl. No.: **29/091,075**

[22] Filed: **Jul. 22, 1998**

### [30] Foreign Application Priority Data

Jan. 23, 1998 [JP] Japan ..... 10-1724

[51] **LOC (6) Cl.** ..... **16-01**

[52] **U.S. Cl.** ..... **D16/209; D16/218**

[58] **Field of Search** ..... **D16/200-209, D16/216-218; 396/60, 84, 535-543**

### [56] References Cited

#### U.S. PATENT DOCUMENTS

|            |        |                  |       |         |
|------------|--------|------------------|-------|---------|
| D. 336,310 | 6/1993 | Fukushima et al. | ..... | D16/209 |
| D. 342,963 | 1/1994 | Isozaki          | ..... | D16/209 |
| D. 359,298 | 6/1995 | Matsuda          | ..... | D16/209 |
| D. 371,375 | 7/1996 | Hayashi          | ..... | D16/209 |

|            |         |                  |       |         |
|------------|---------|------------------|-------|---------|
| D. 377,035 | 12/1996 | Hayashi          | ..... | D16/218 |
| 4,924,248  | 5/1990  | Taniguchi et al. | ..... | 396/60  |
| 4,990,945  | 2/1991  | Cho et al.       | ..... | 396/84  |

*Primary Examiner*—Adir Aronovich  
*Attorney, Agent, or Firm*—Sughrue, Mion, Zinn, Macpeak & Seas, PLLC

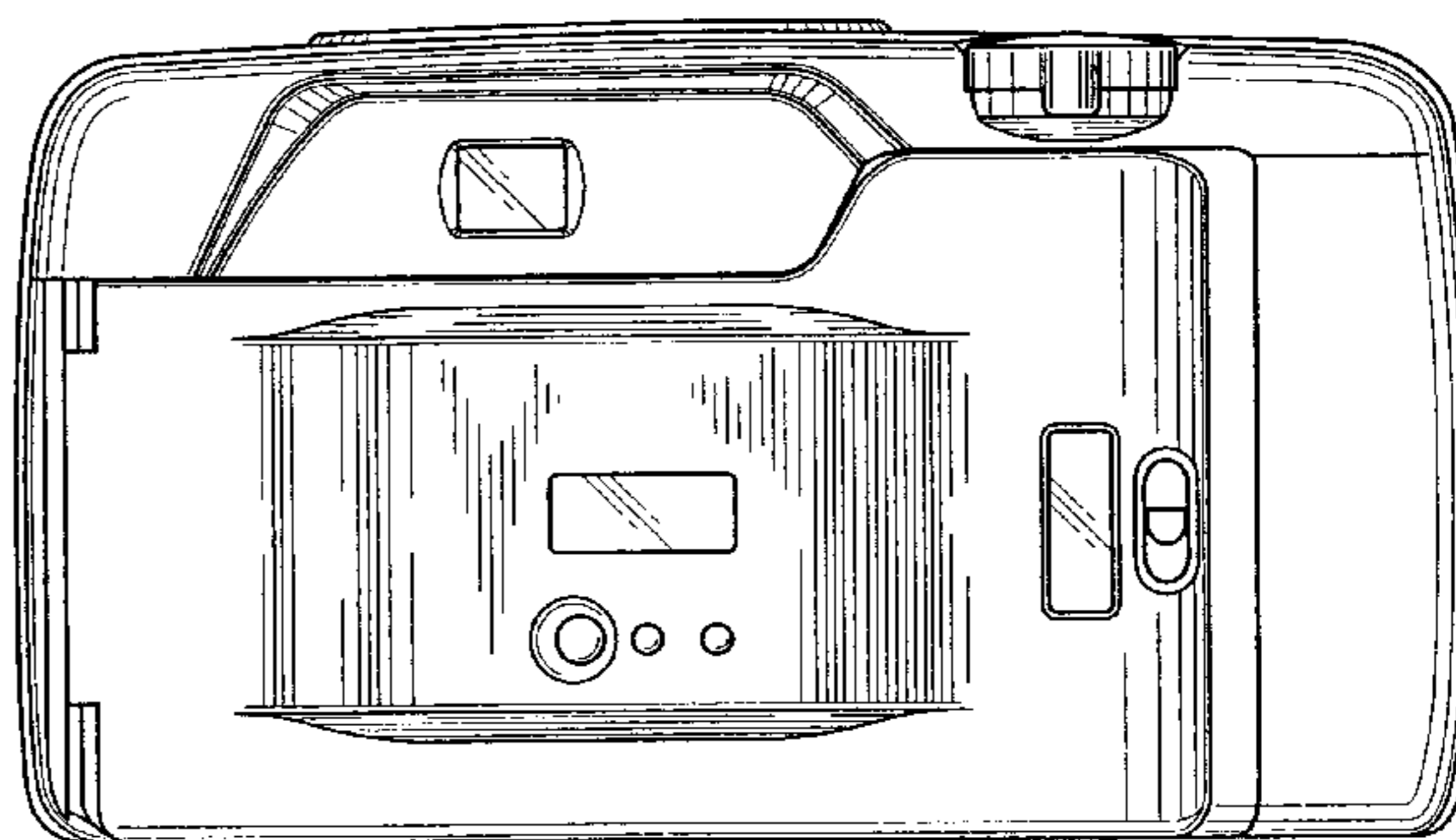
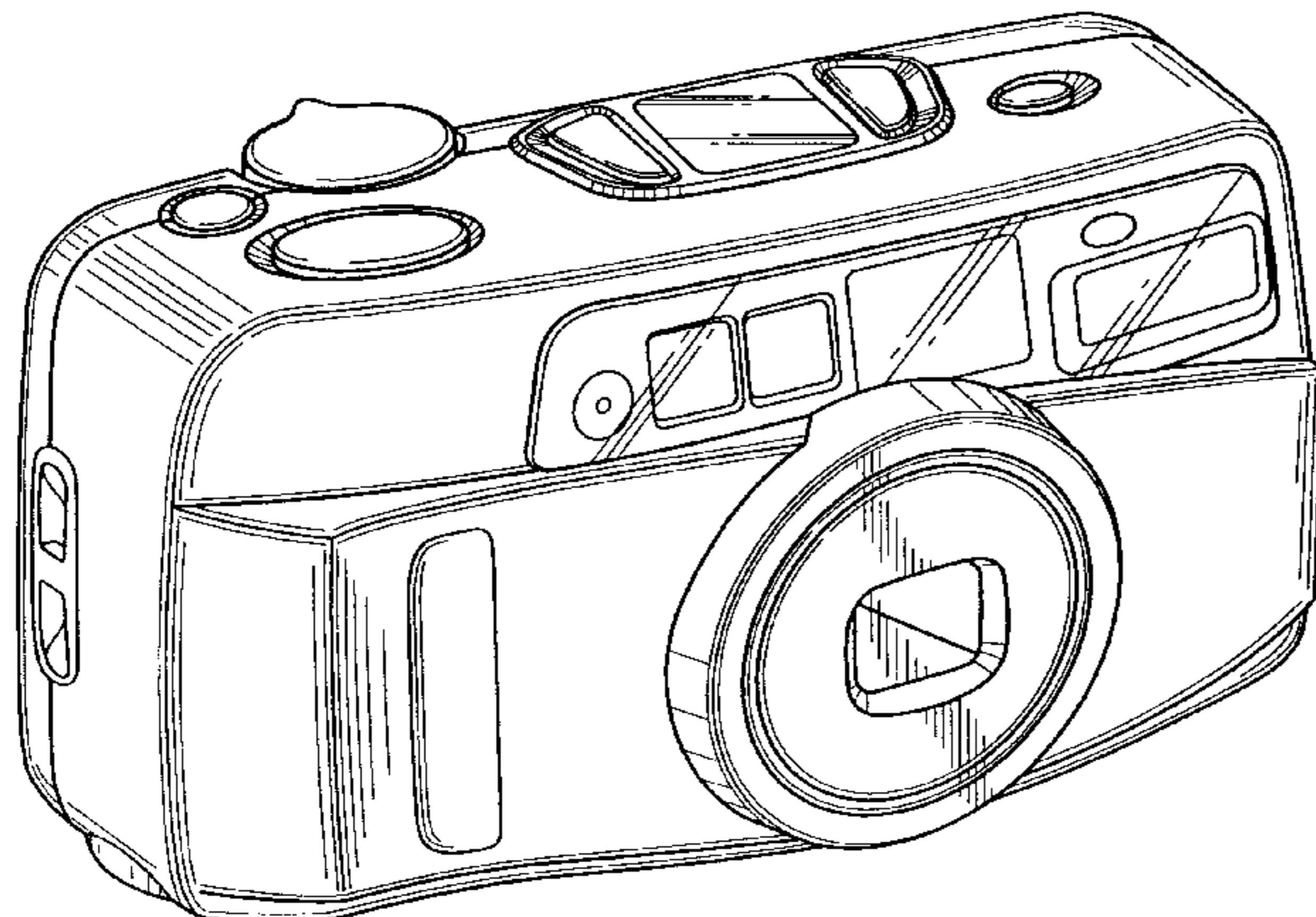
### [57] CLAIM

The ornamental design for a 35mm camera, as shown and described.

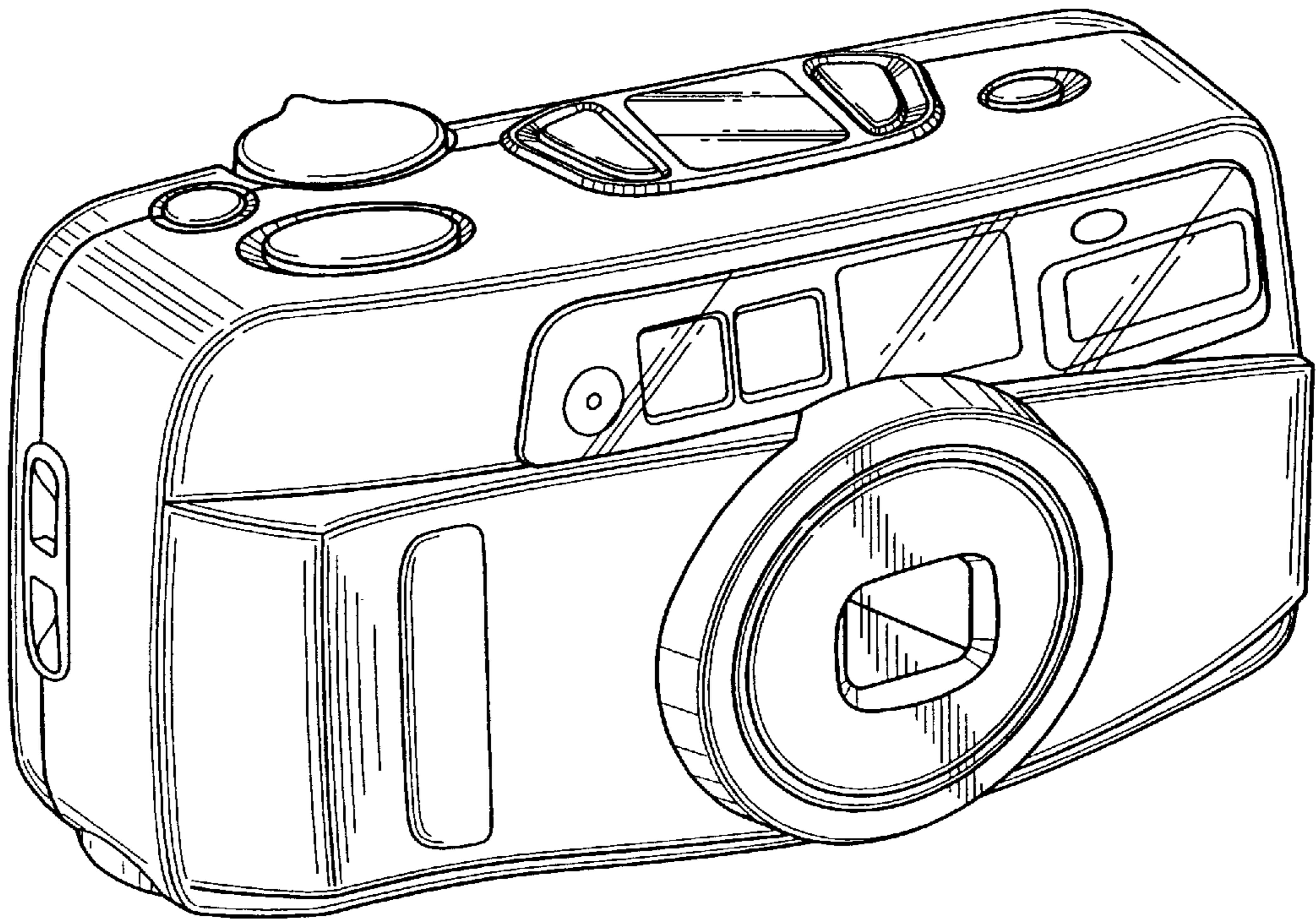
### DESCRIPTION

FIG. 1 is a perspective view of the top, front and left side of a 35mm camera showing my new design; FIG. 2 is a front elevational view thereof; FIG. 3 is a top plan view thereof; FIG. 4 is a left side elevational view thereof; FIG. 5 is a right side elevational view thereof; FIG. 6 is a rear elevational view thereof; FIG. 7 is a bottom plan view thereof; FIG. 8 is a perspective view similar to FIG. 1 with the lens cover open and the lens partially extended; and, FIG. 9 is a perspective view similar to FIG. 1 with the lens cover open and the lens fully extended.

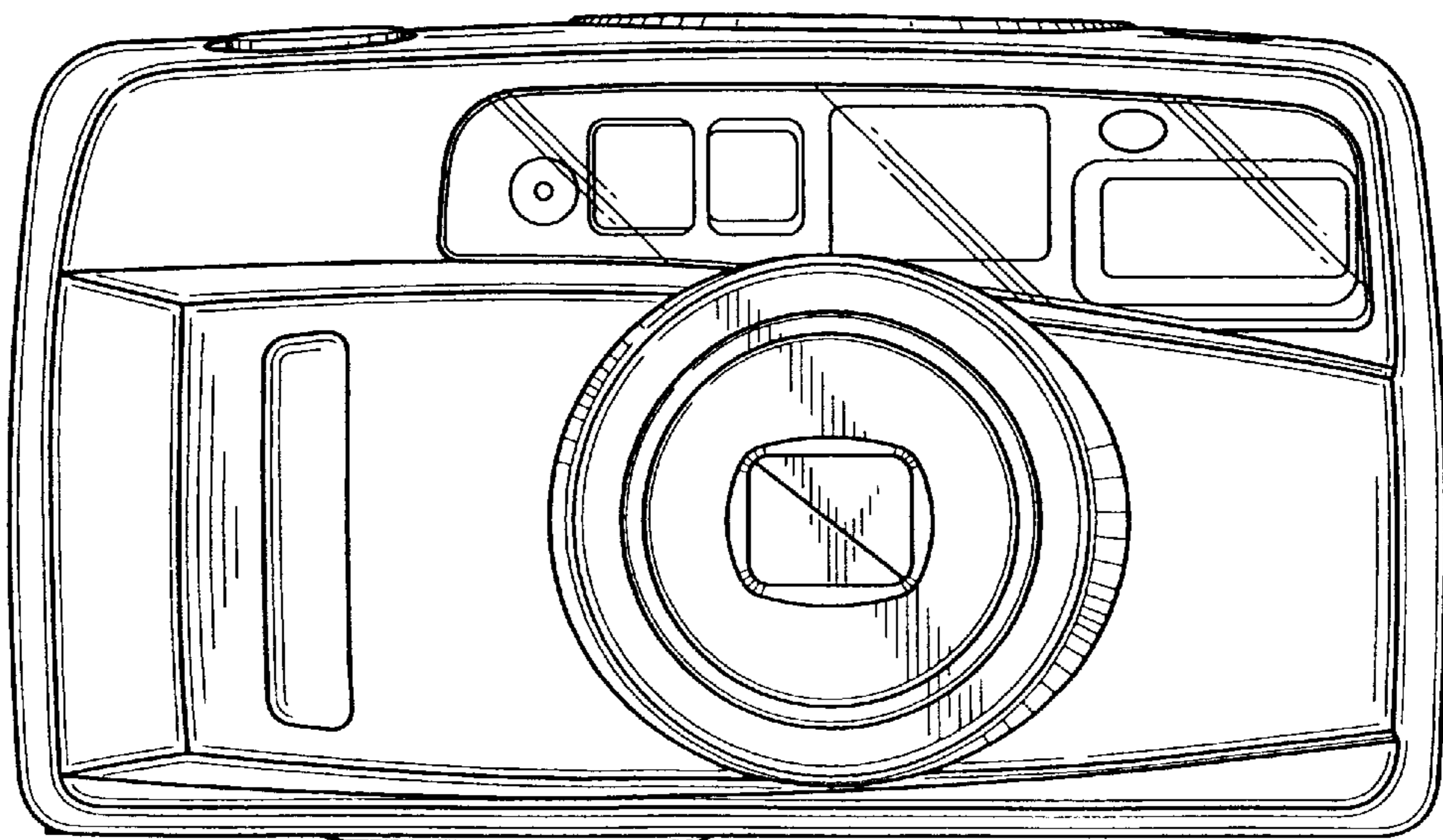
**1 Claim, 5 Drawing Sheets**



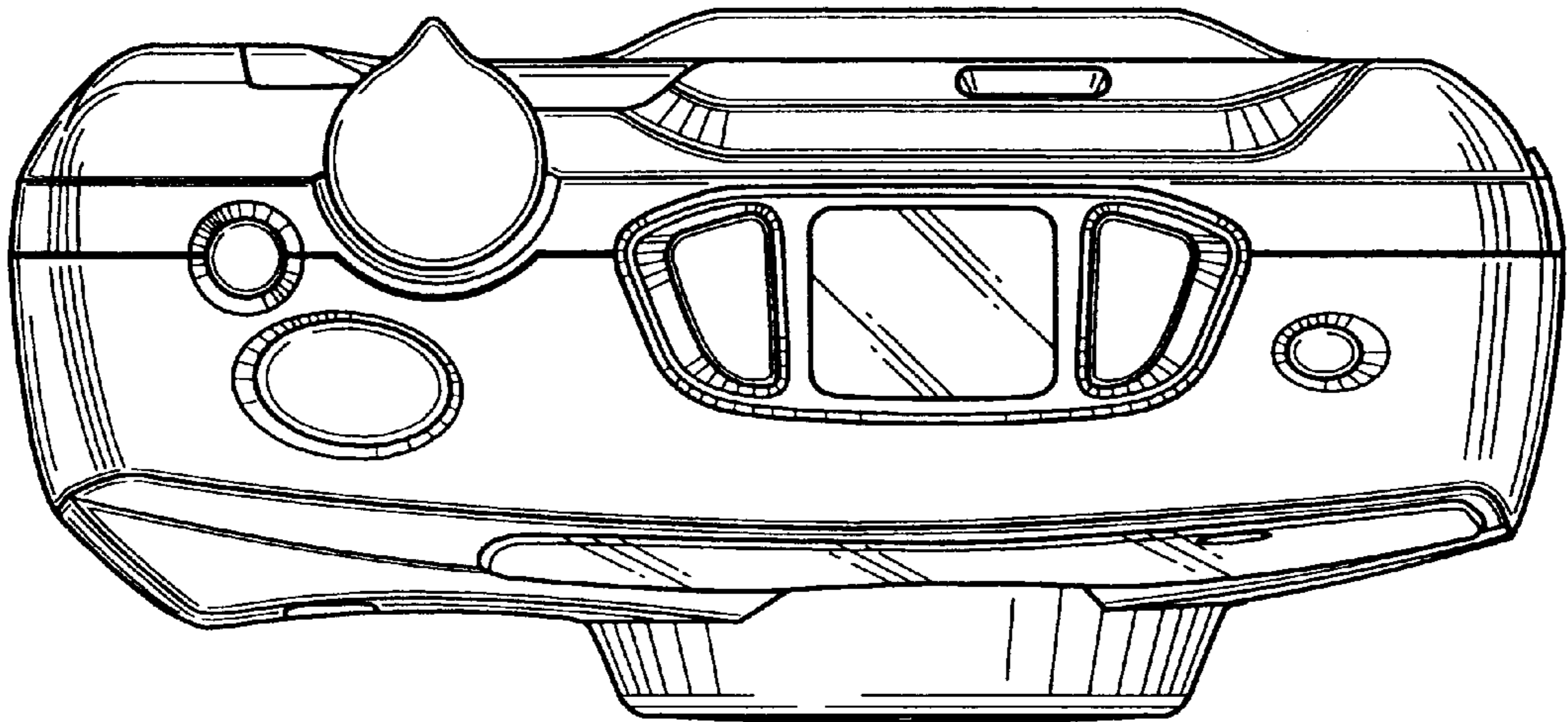
**FIG. 1**



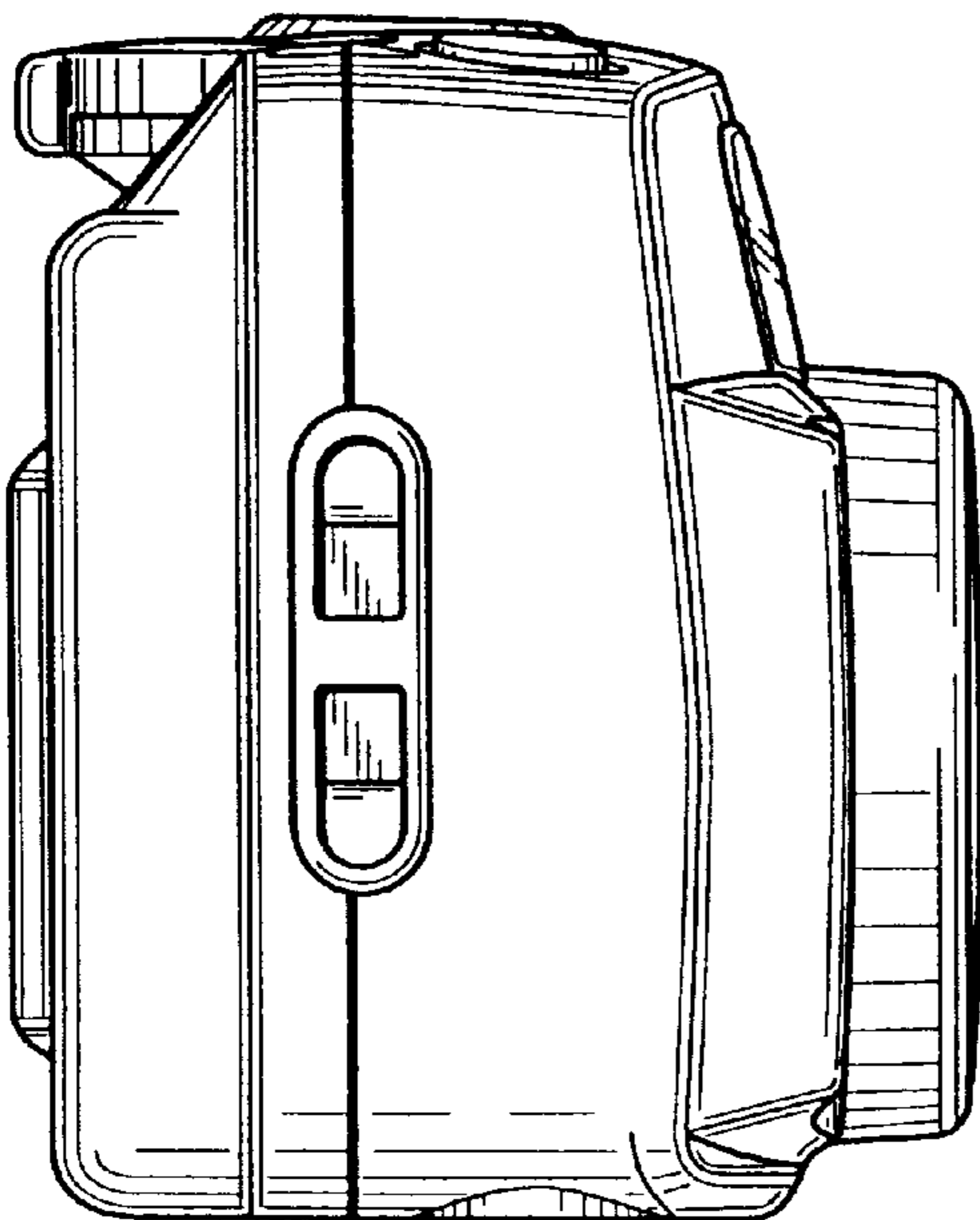
**FIG. 2**



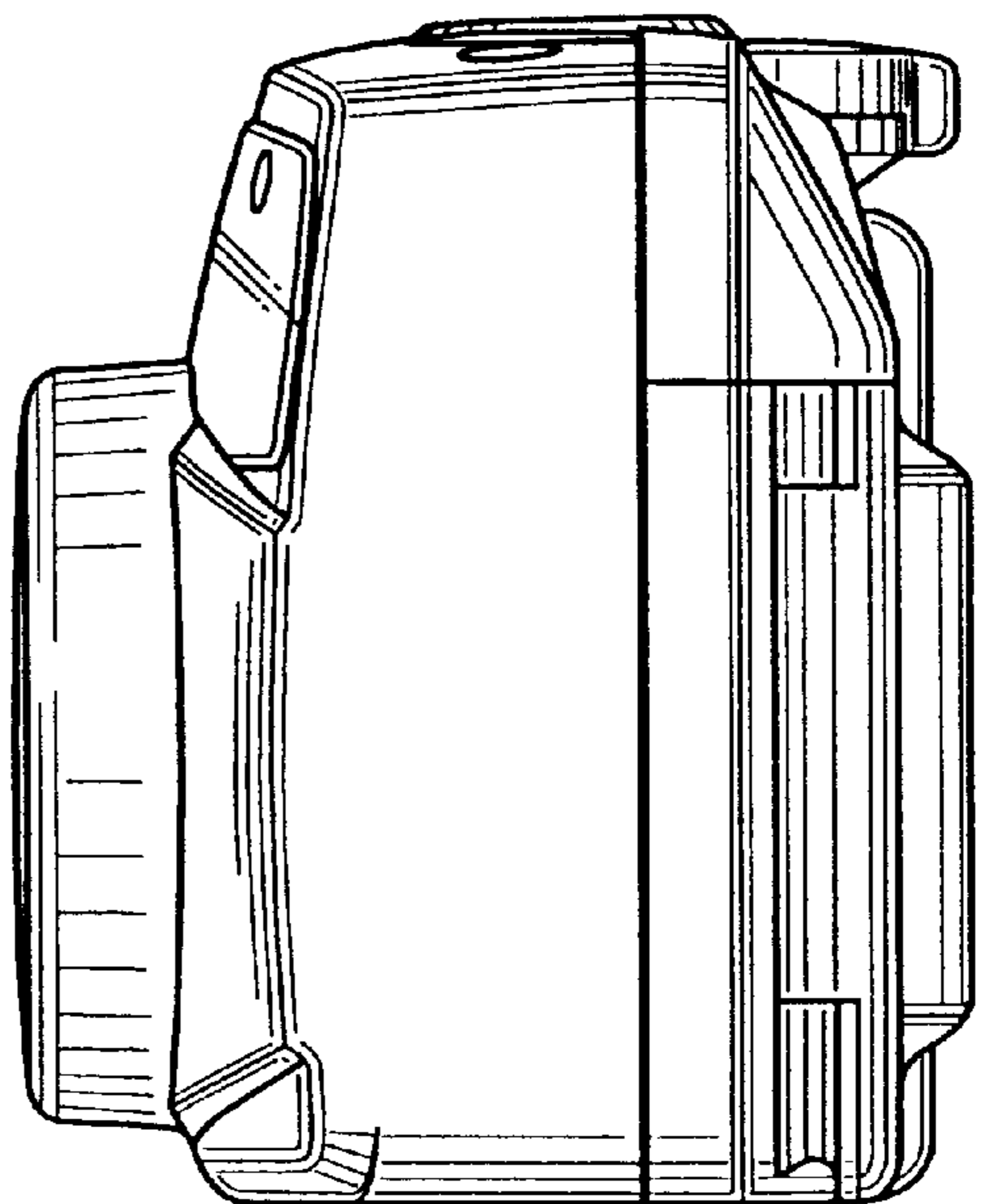
**FIG. 3**



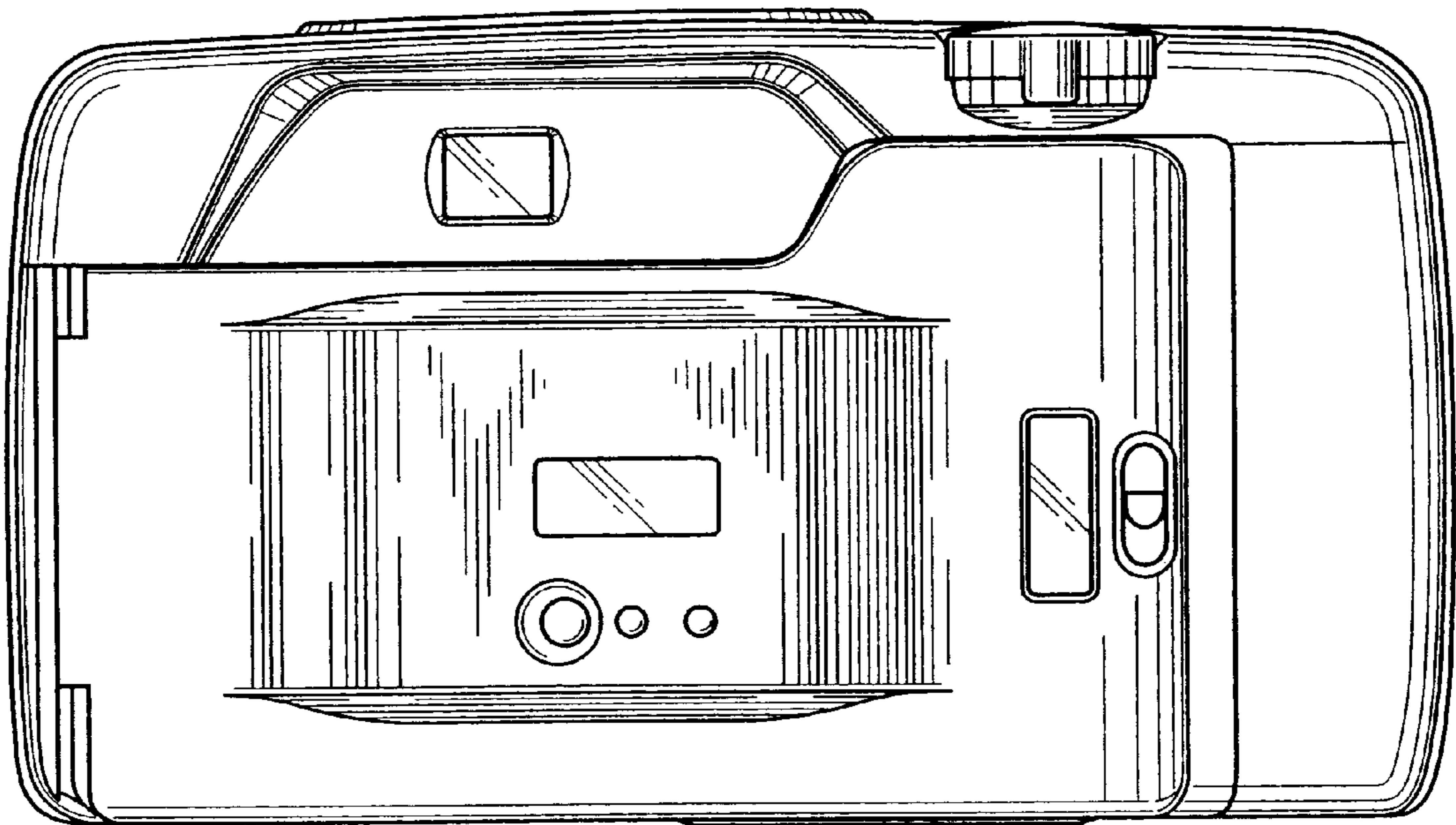
**FIG. 4**



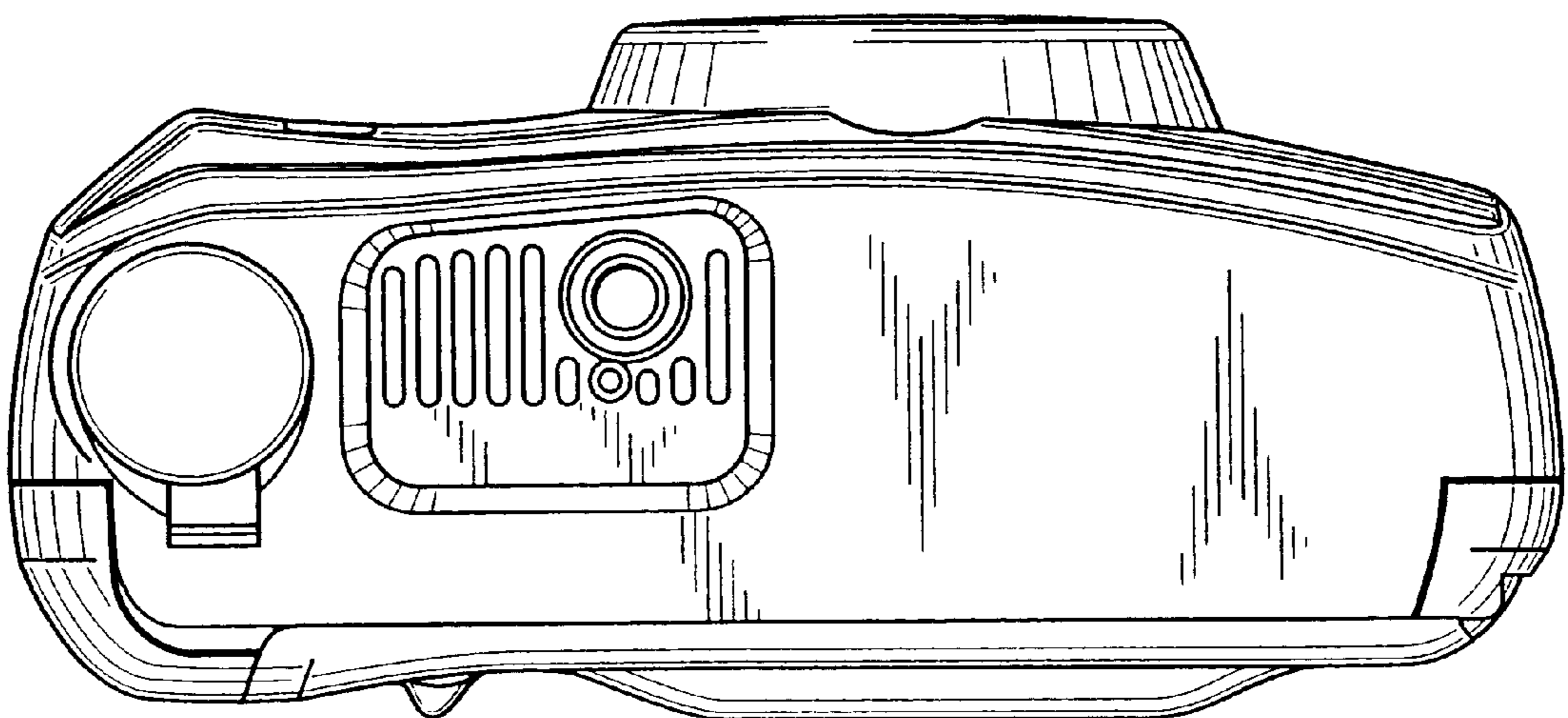
**FIG. 5**



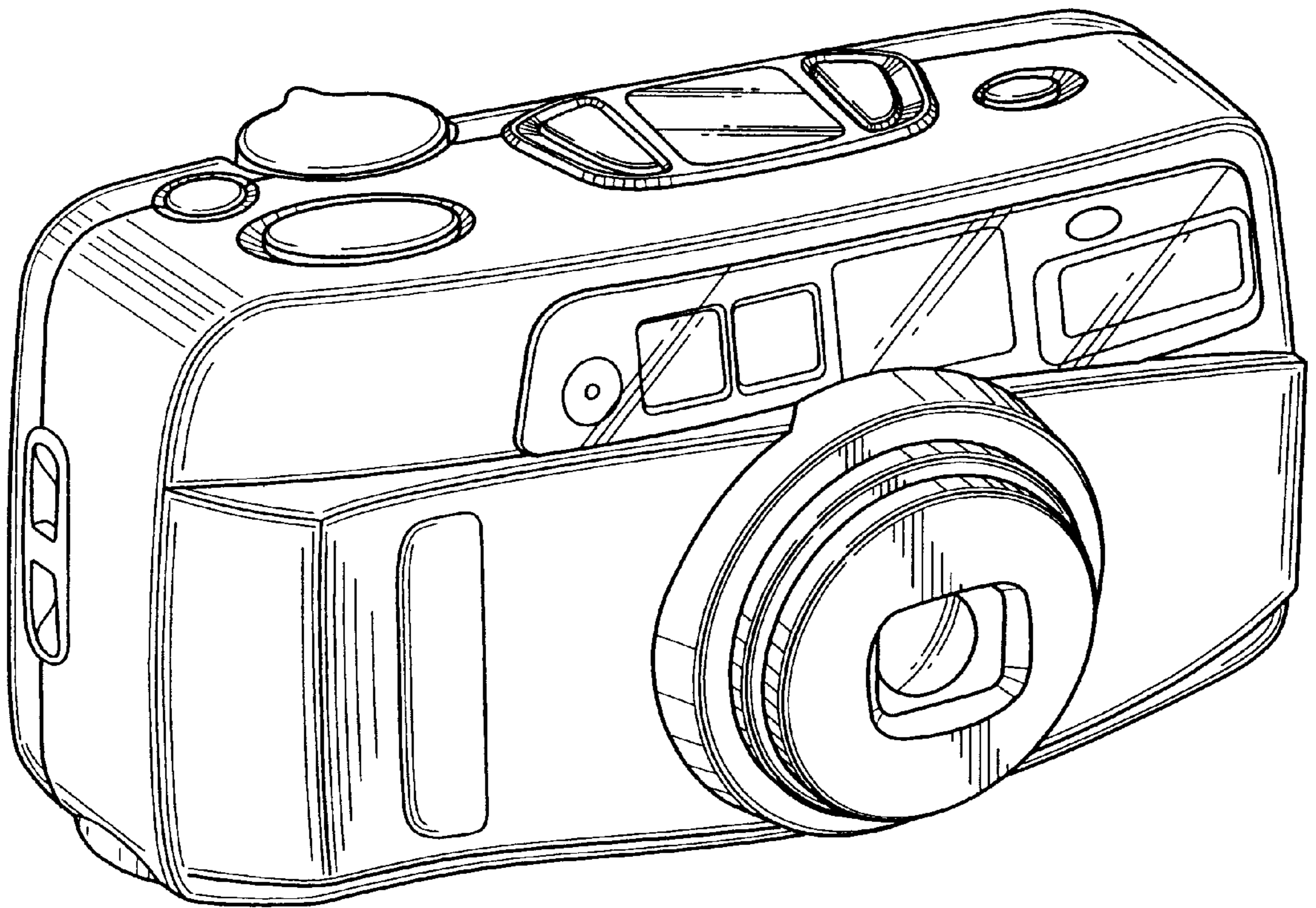
*FIG. 6*



*FIG. 7*



*FIG. 8*



*FIG. 9*

