



US00D409215S

United States Patent [19]

Nihei et al.

[11] Patent Number: **Des. 409,215**

[45] Date of Patent: **** May 4, 1999**

[54] CAMERA

5,565,945 10/1996 Tobise et al. 396/6

[75] Inventors: **Kazuhiro Nihei**, Tokyo; **Koujiro Yoshida**, Hino, both of Japan

OTHER PUBLICATIONS

Popular Photography, p. 134 (Fuji's Quick-snap Flash), Dec. 1988.

[73] Assignee: **Konica Corporation**, Tokyo, Japan

Primary Examiner—Adir Aronovich
Attorney, Agent, or Firm—Frishauf, Holtz, Goodman, Langer & Chick

[**] Term: **14 Years**

[21] Appl. No.: **29/089,792**

[57] CLAIM

[22] Filed: **Jun. 23, 1998**

The ornamental design for a camera, as shown.

[30] Foreign Application Priority Data

DESCRIPTION

Jan. 9, 1998 [JP] Japan 10-433

[51] LOC (6) Cl. **16-01**

FIG. 1 is a front elevational view of a camera showing our new design;

[52] U.S. Cl. **D16/209**

FIG. 2 is a rear elevational view thereof;

[58] Field of Search D16/200-205,
D16/208, 209, 216-218; 396/6-13, 535-543

FIG. 3 is a left side view thereof;

FIG. 4 is a right side view thereof;

FIG. 5 is a top plan view thereof;

FIG. 6 is a bottom plan view thereof;

FIG. 7 is a front, right side, top perspective view thereof;

and,

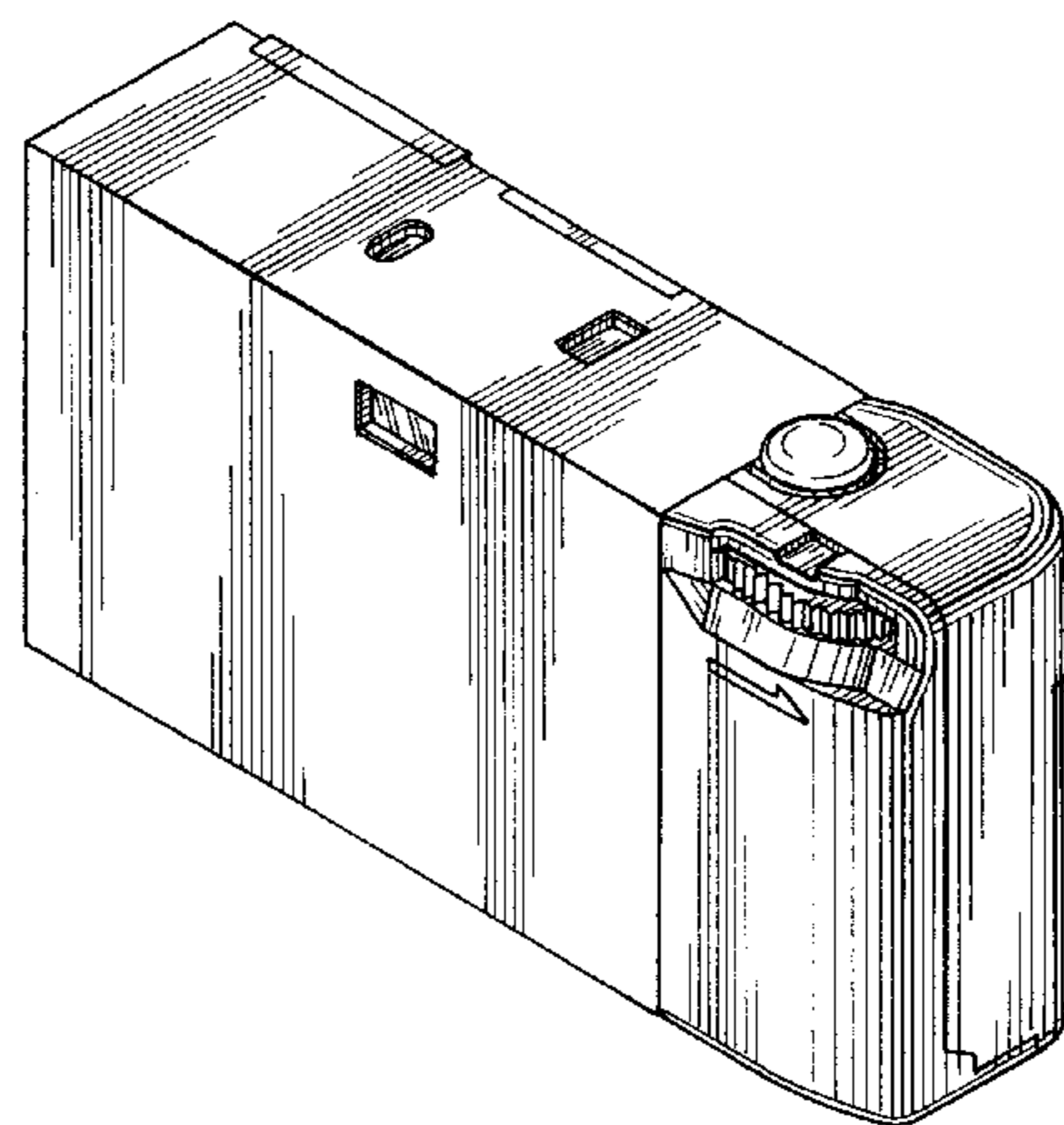
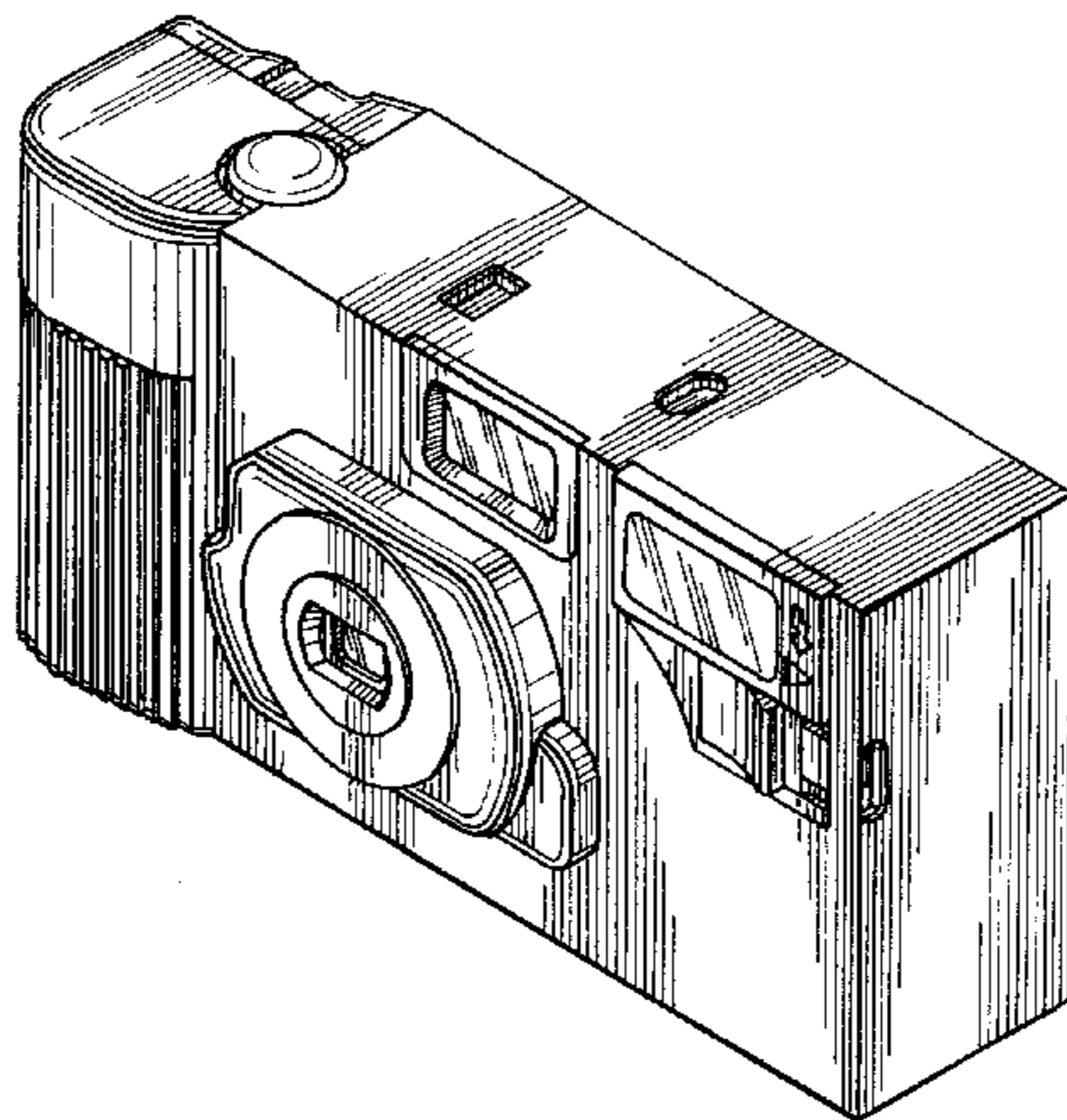
FIG. 8 is a rear, left side, top perspective view thereof.

[56] References Cited

U.S. PATENT DOCUMENTS

D. 375,511 11/1996 Horikiri D16/209
D. 386,183 11/1997 Katayama D16/209
D. 387,790 12/1997 Kondo D16/218

1 Claim, 2 Drawing Sheets



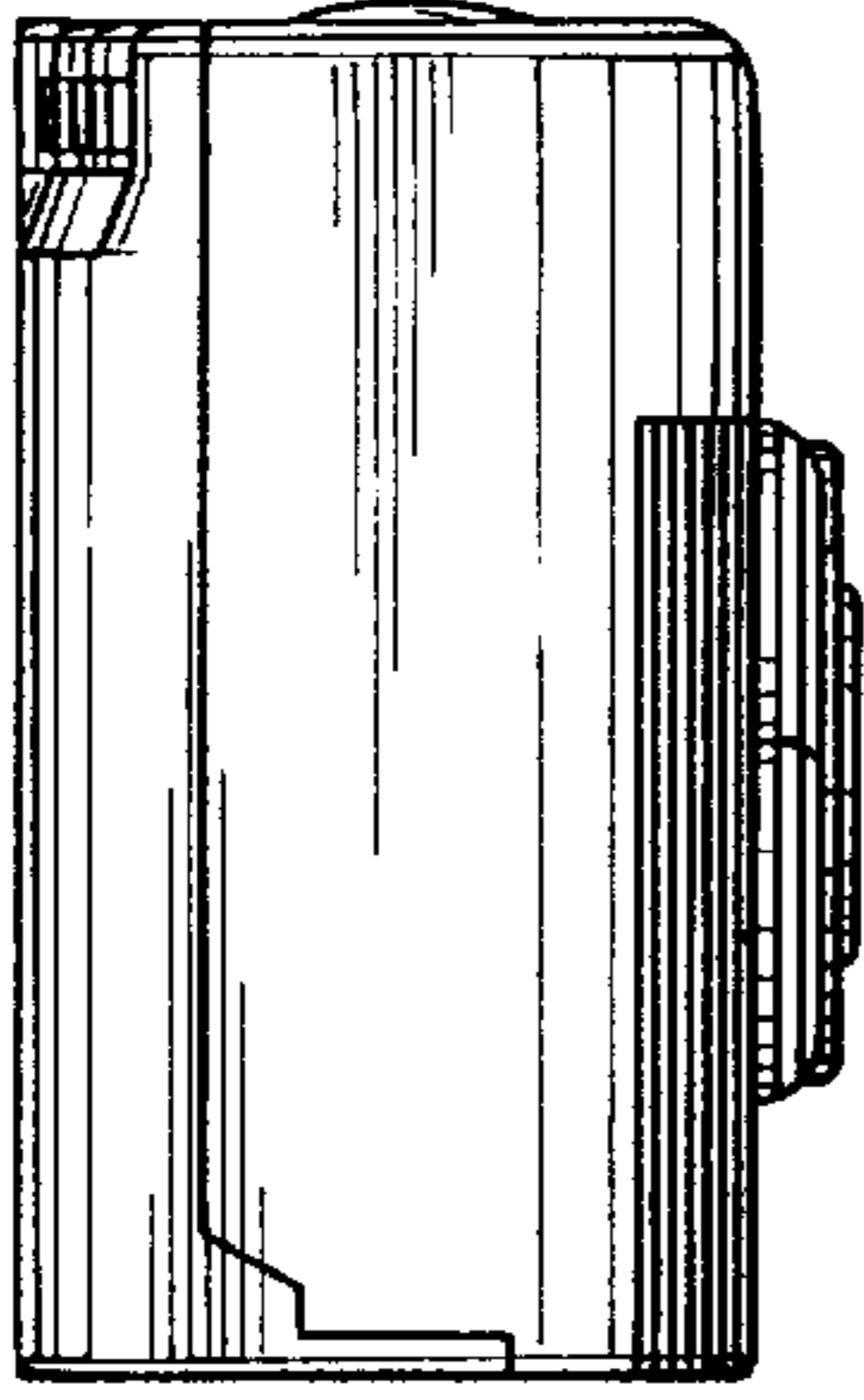


FIG. 3

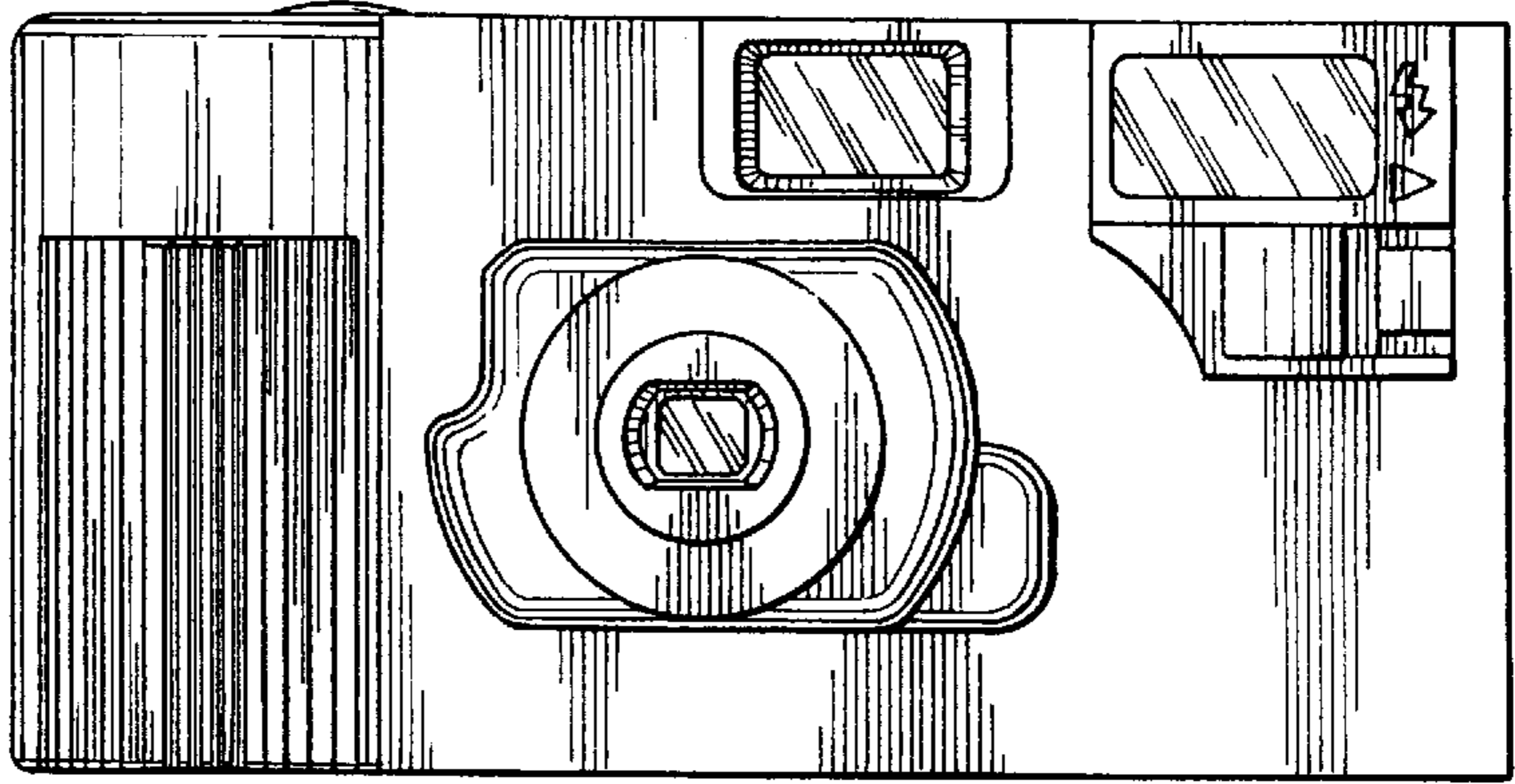


FIG. 1

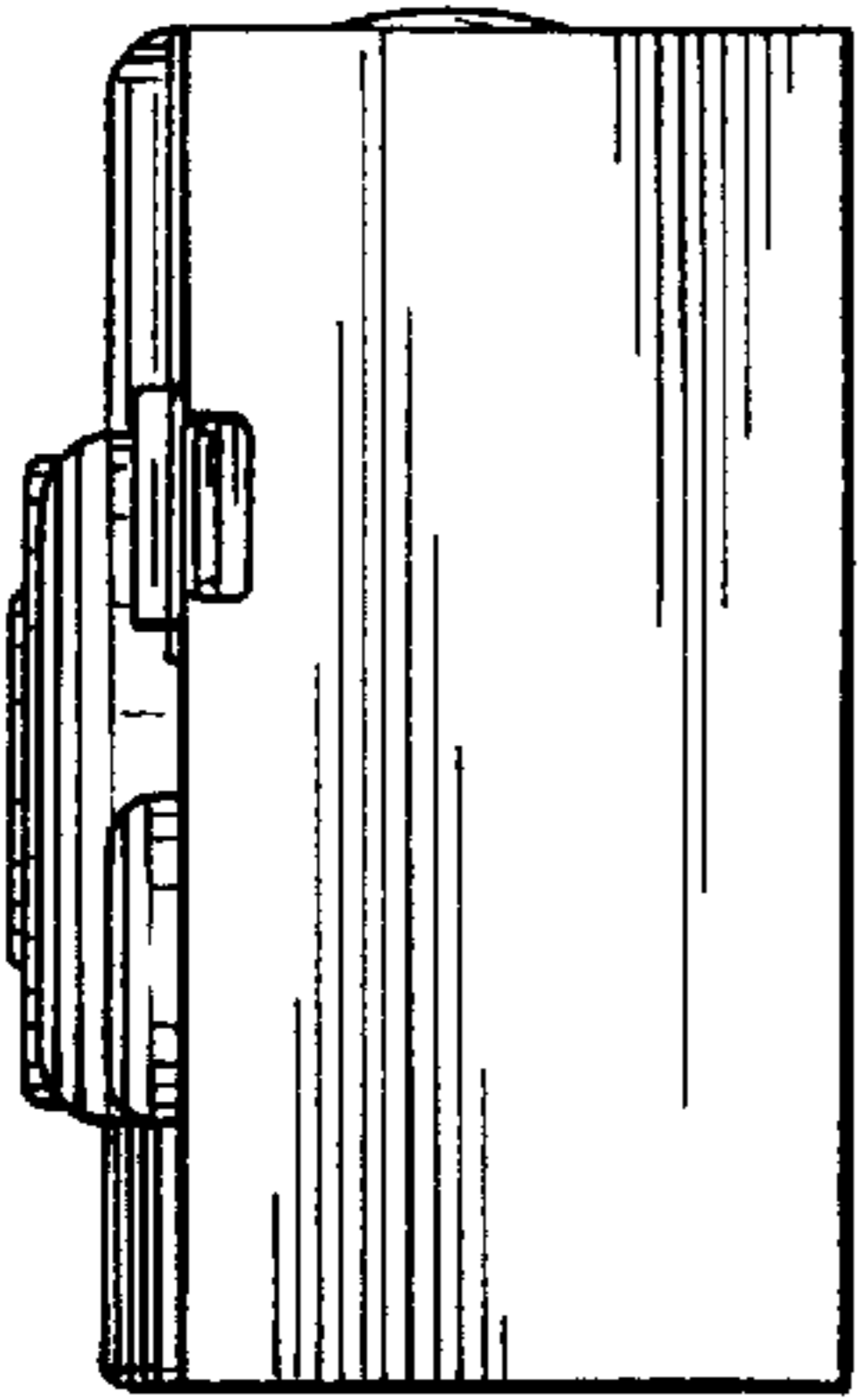


FIG. 4

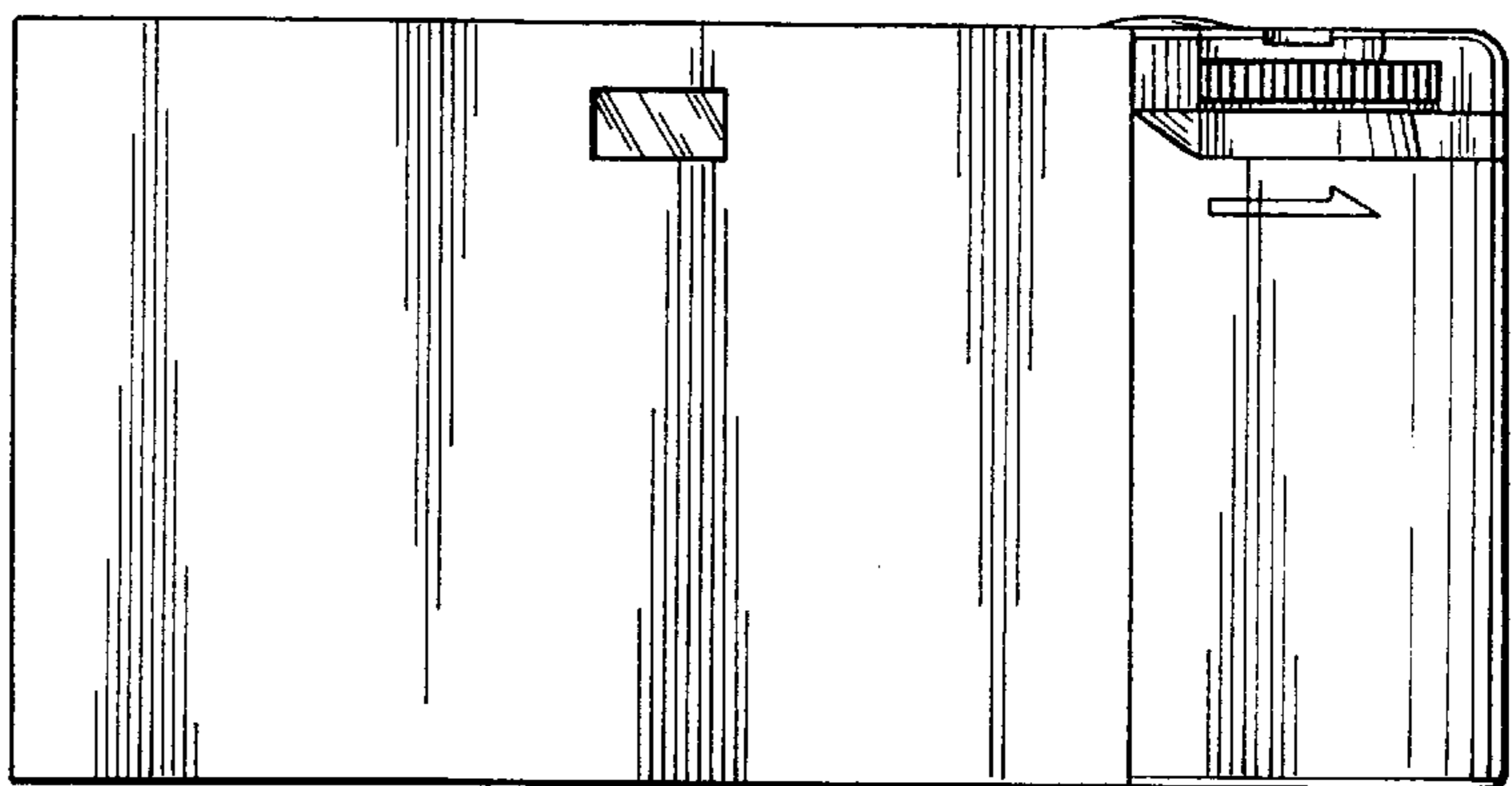


FIG. 2

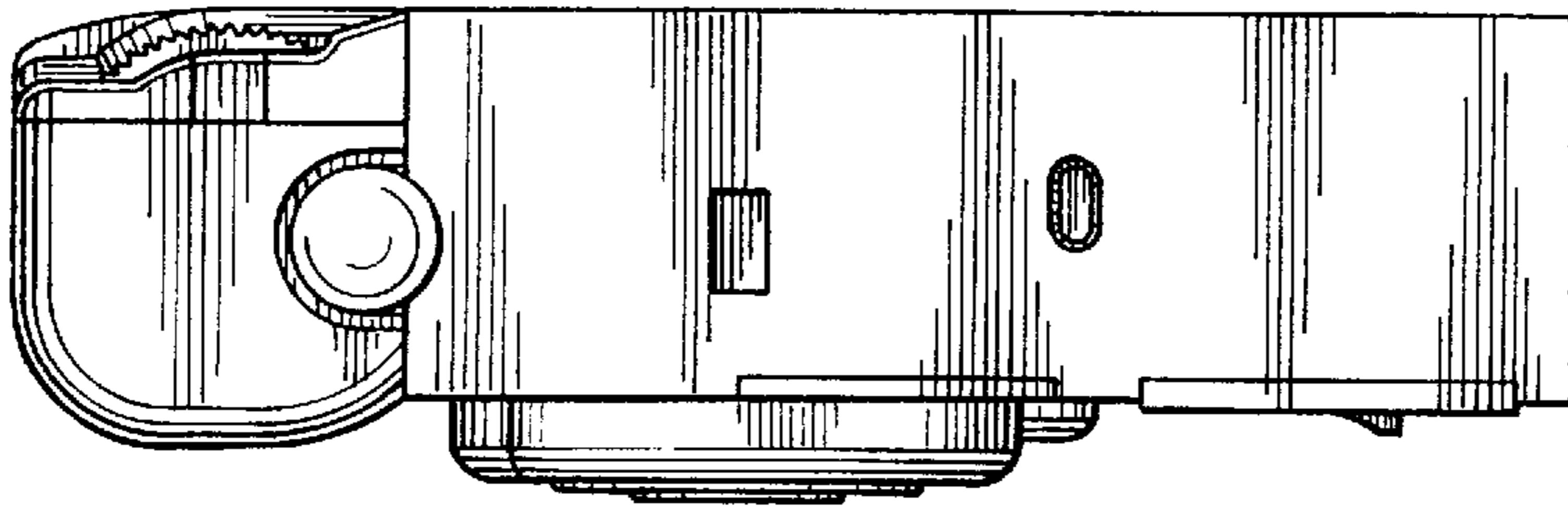


FIG. 5

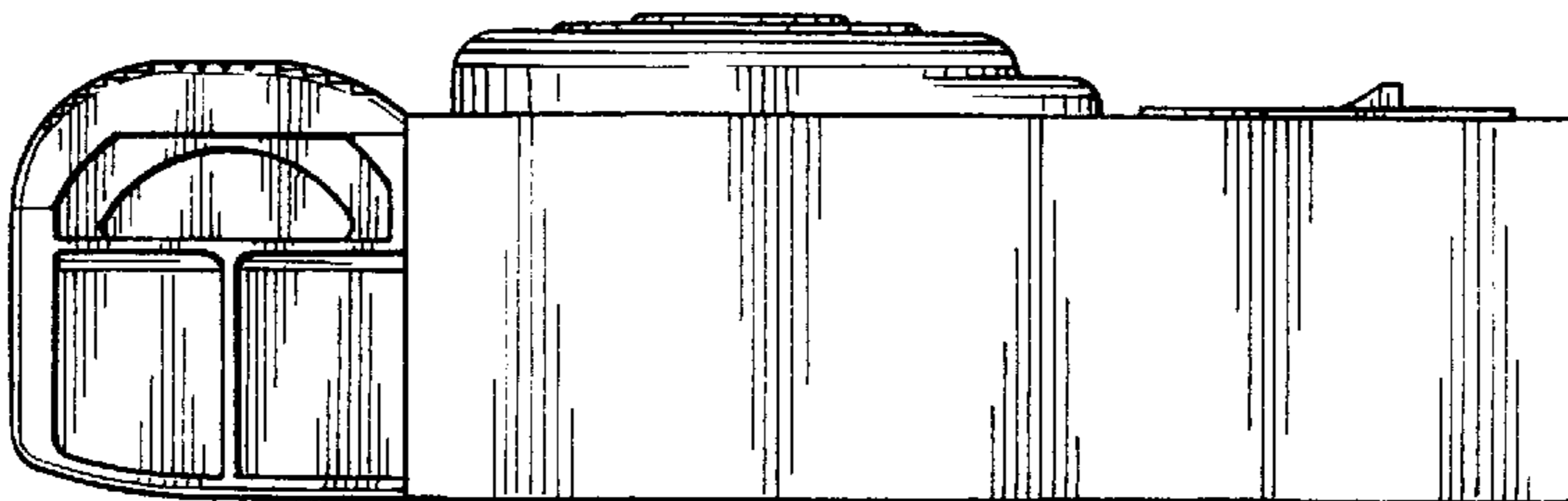


FIG. 6

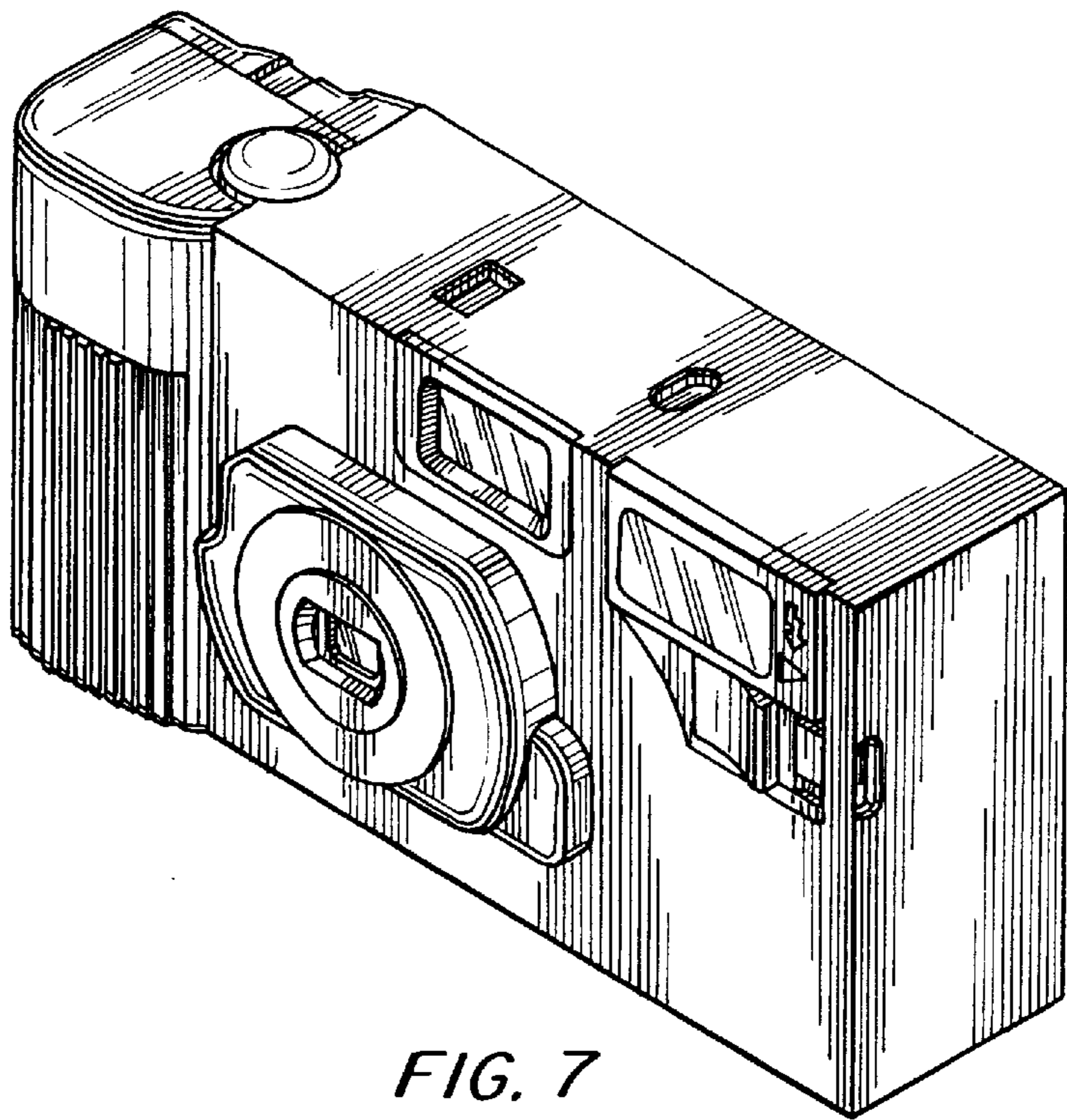


FIG. 7

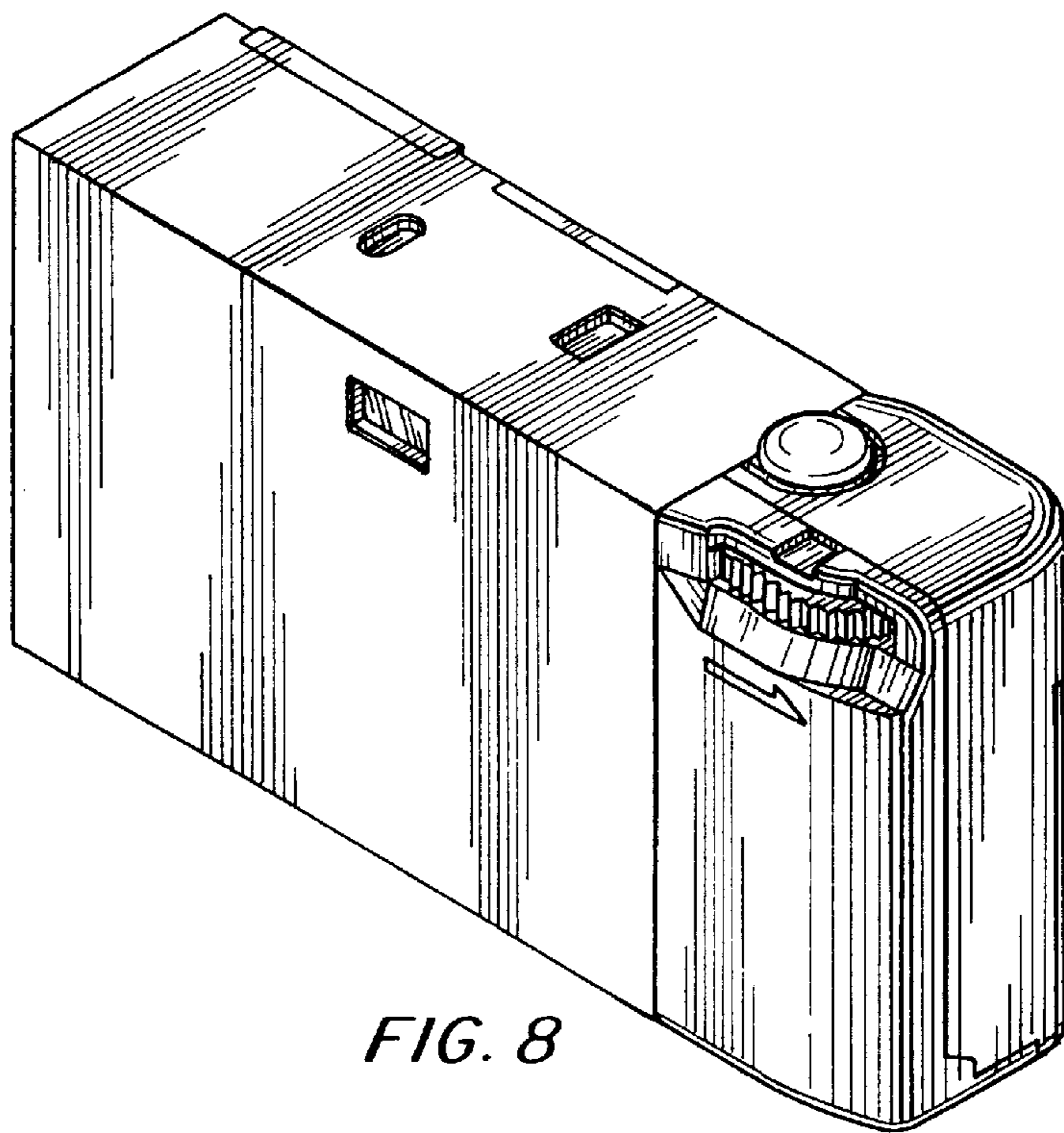


FIG. 8