

US00D409214S

**United States Patent** [19]  
**Ohki et al.**

[11] **Patent Number: Des. 409,214**

[45] **Date of Patent: \*\* May 4, 1999**

[54] **VIDEO CAMERA WITH COMBINED VIDEO TAPE RECORDER**

[75] Inventors: **Masayuki Ohki**, Kodaira; **Koji Suso**, Kokubunji; **Atsutoshi Sato**, Tachikawa; **Koji Mori**, Ibaraki-ken; **Atsubiko Urushihara**, Higashi-yamato, all of Japan

[73] Assignee: **Hitachi, Ltd.**, Tokyo, Japan

[\*\*] Term: **14 Years**

[21] Appl. No.: **29/089,259**

[22] Filed: **Jun. 9, 1998**

[30] **Foreign Application Priority Data**

Jan. 12, 1998 [JP] Japan ..... 10-274

[51] **LOC (6) Cl.** ..... **16-01**

[52] **U.S. Cl.** ..... **D16/202**

[58] **Field of Search** ..... D16/200-208; 348/373-376; 352/242, 243; 358/906; 396/535-543

[56] **References Cited**

**U.S. PATENT DOCUMENTS**

D. 356,099	3/1995	Jones et al.	.....	D16/202
D. 367,072	2/1996	Goto	.....	D16/202
D. 372,255	7/1996	Nakamura	.....	D16/202
5,121,147	6/1992	Wada et al.	.....	348/375

**OTHER PUBLICATIONS**

Panasonic Catalog, p. 11 (AL30), Oct. 1997.  
Search Report as to Prior Design No. 1998/079, Issued by Japan Design Protection Association with Attached 8 Official Public Known Design Nos: HN06001265, HN07015692, HN09008541, HN09008542, HN09002941, HN09005575, HN09002945, HN09002944.

Search Report as to Prior Design No. 1998/078, Issued by Japan Design Protection Association with 5 Official Gazettes of Design Nos: 976017, 976017 Similar 1, 976882, 976916, 984735.

*Primary Examiner*—Ted Shooman  
*Assistant Examiner*—Adir Aronovich  
*Attorney, Agent, or Firm*—Antonelli, Terry, Stout & Kraus, LLP

[57] **CLAIM**

The ornamental design for a video camera with combined video tape recorder, as shown and described.

**DESCRIPTION**

FIG. 1 is a right side, front and top perspective view of a video camera with combined video tape recorder showing our new design;

FIG. 2 is a front elevational view;

FIG. 3 is a rear elevational view;

FIG. 4 is a top plan view;

FIG. 5 is a bottom plan view;

FIG. 6 is a right side elevational view;

FIG. 7 is a left side elevational view; and,

FIG. 8 is a right side, rear and top perspective view thereof, with the monitoring display in an open position.

**1 Claim, 4 Drawing Sheets**

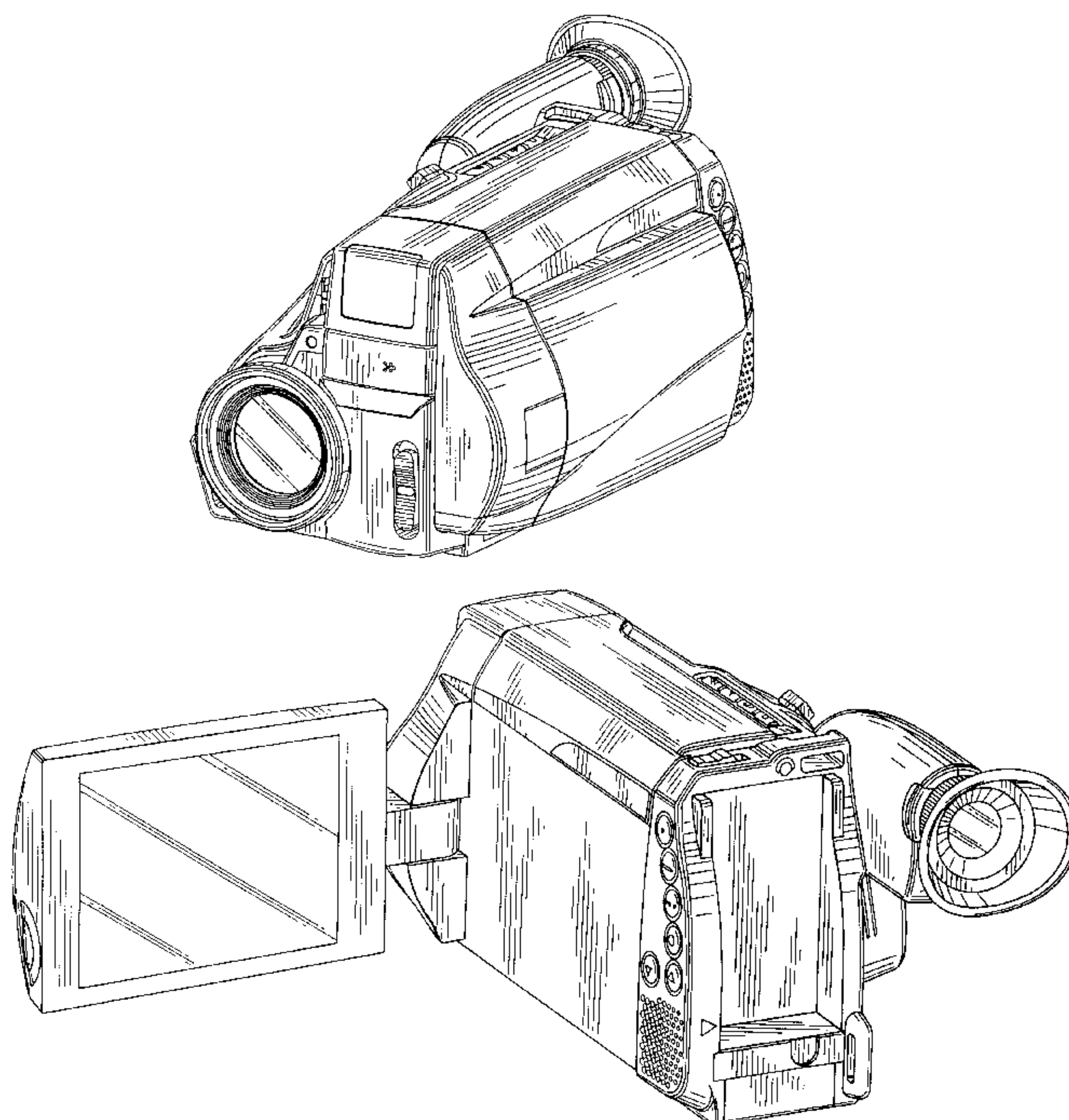


FIG. 1

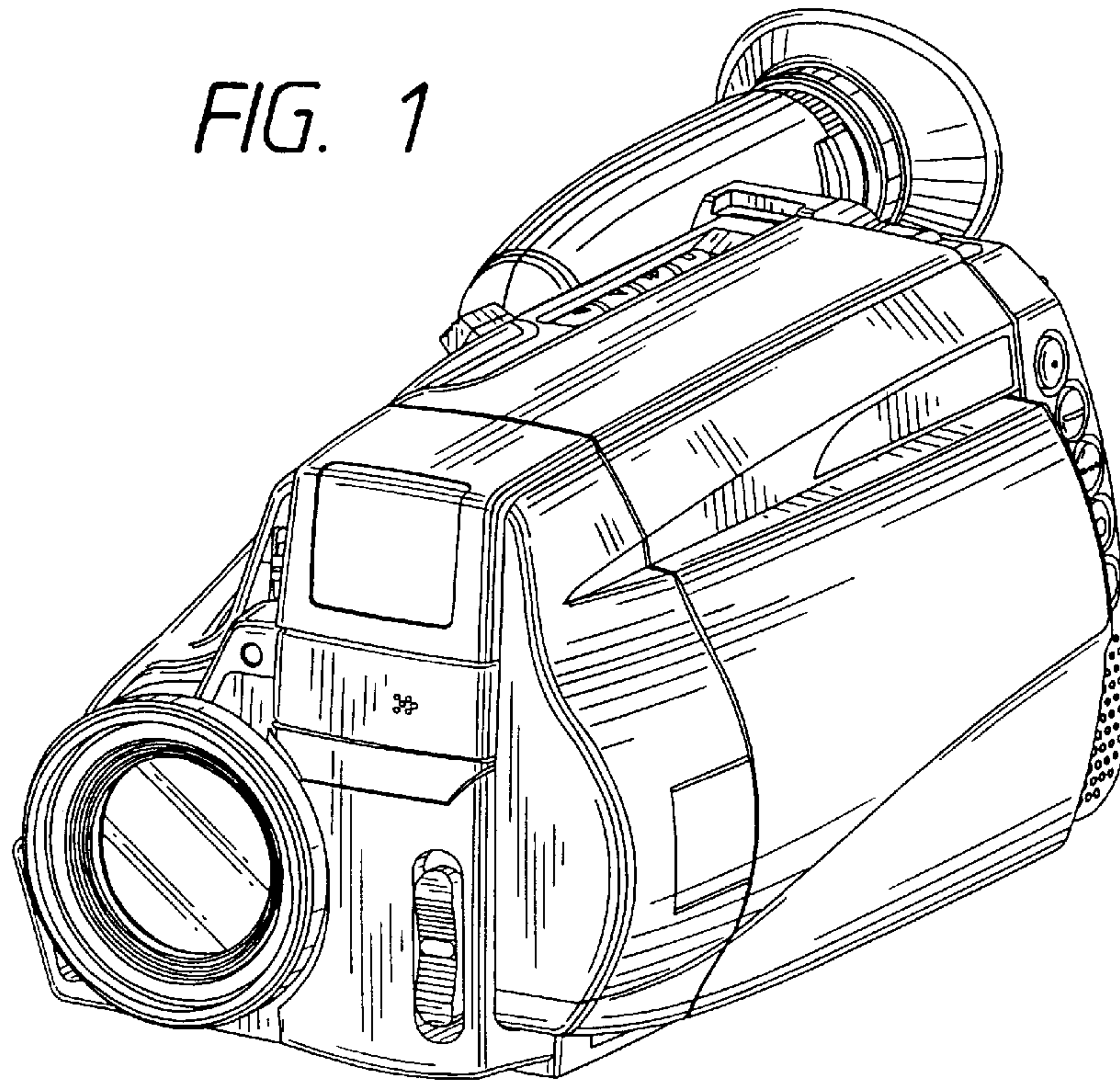


FIG. 2

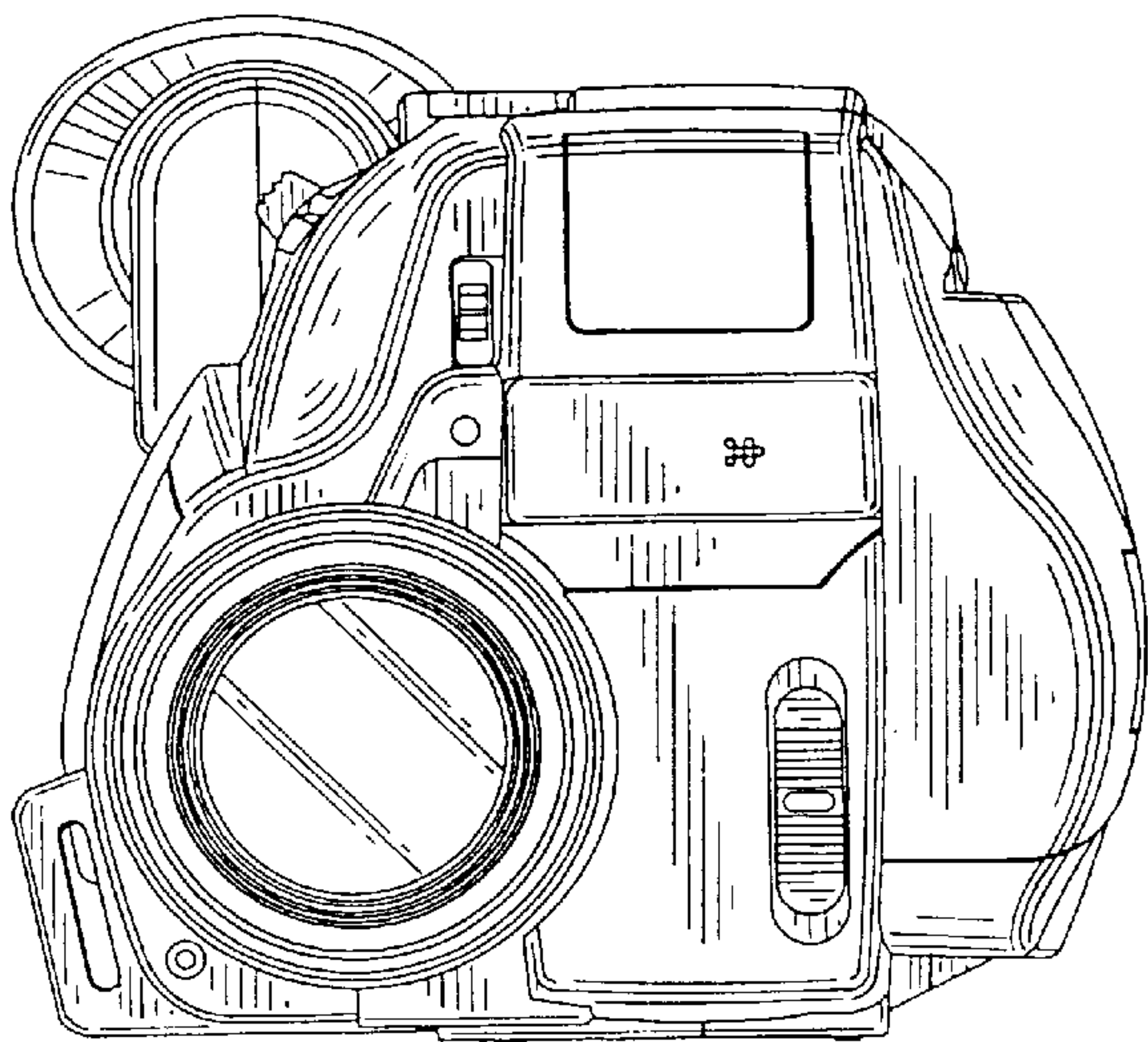


FIG. 3

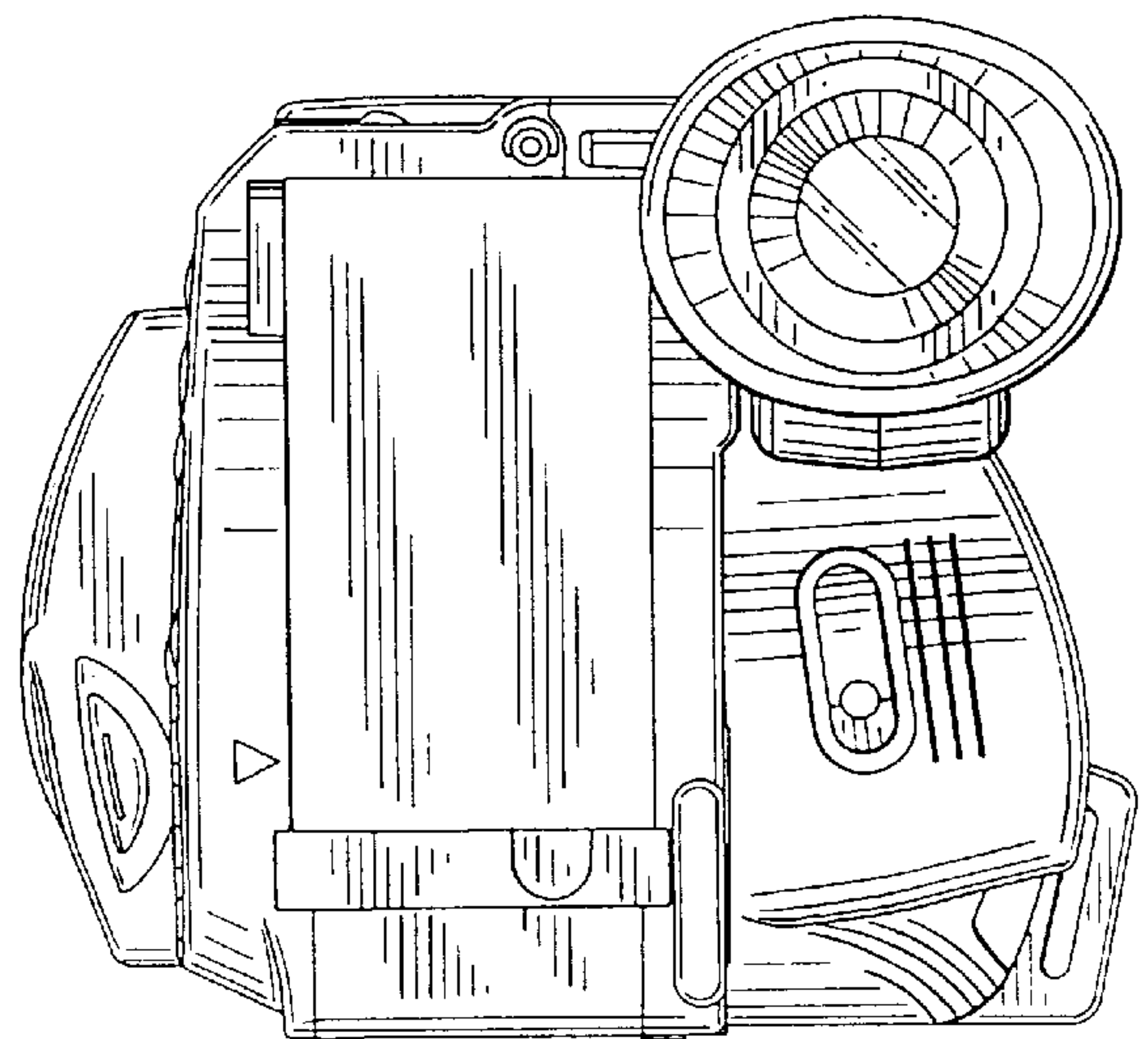




FIG. 4

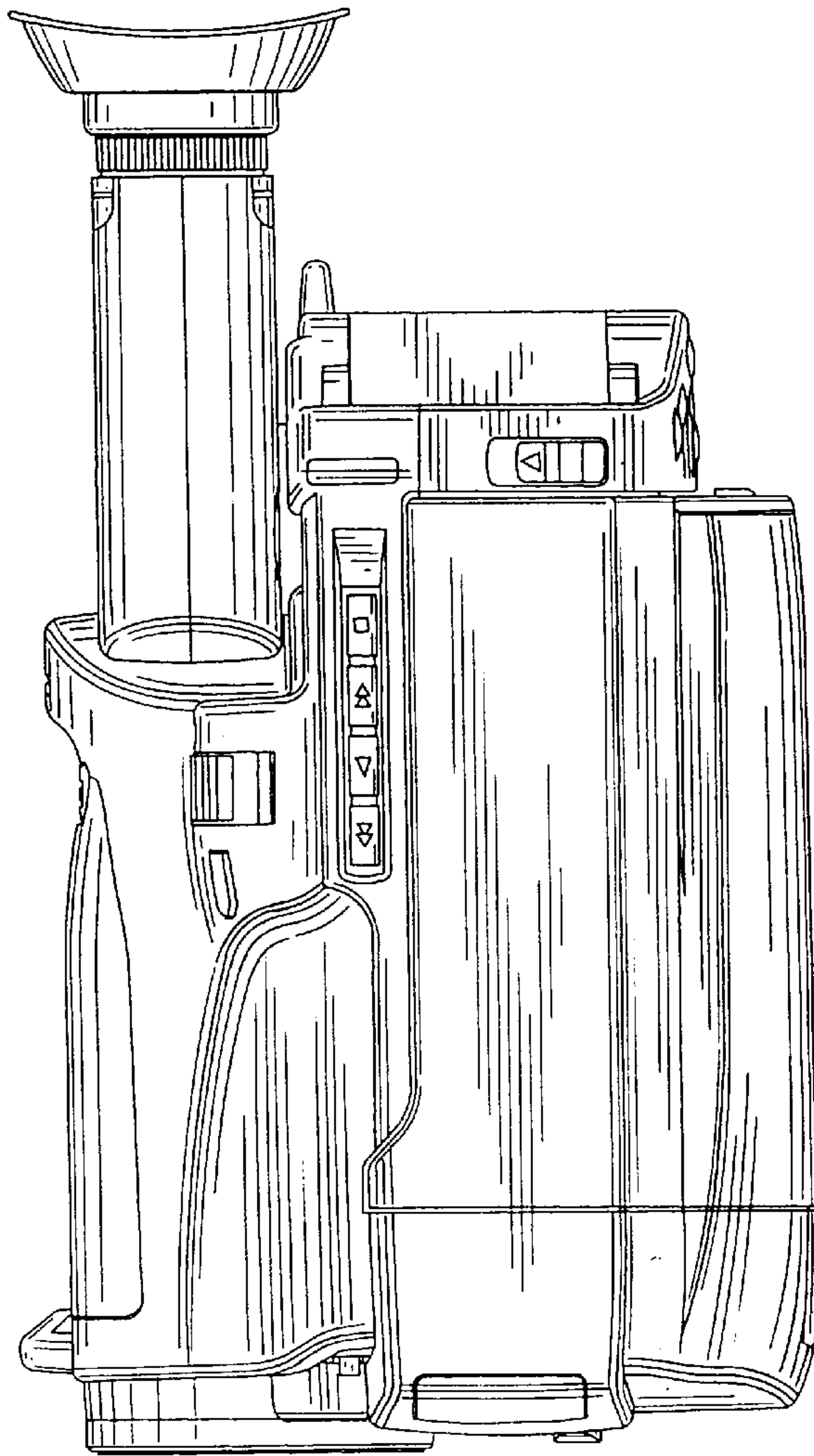


FIG. 5

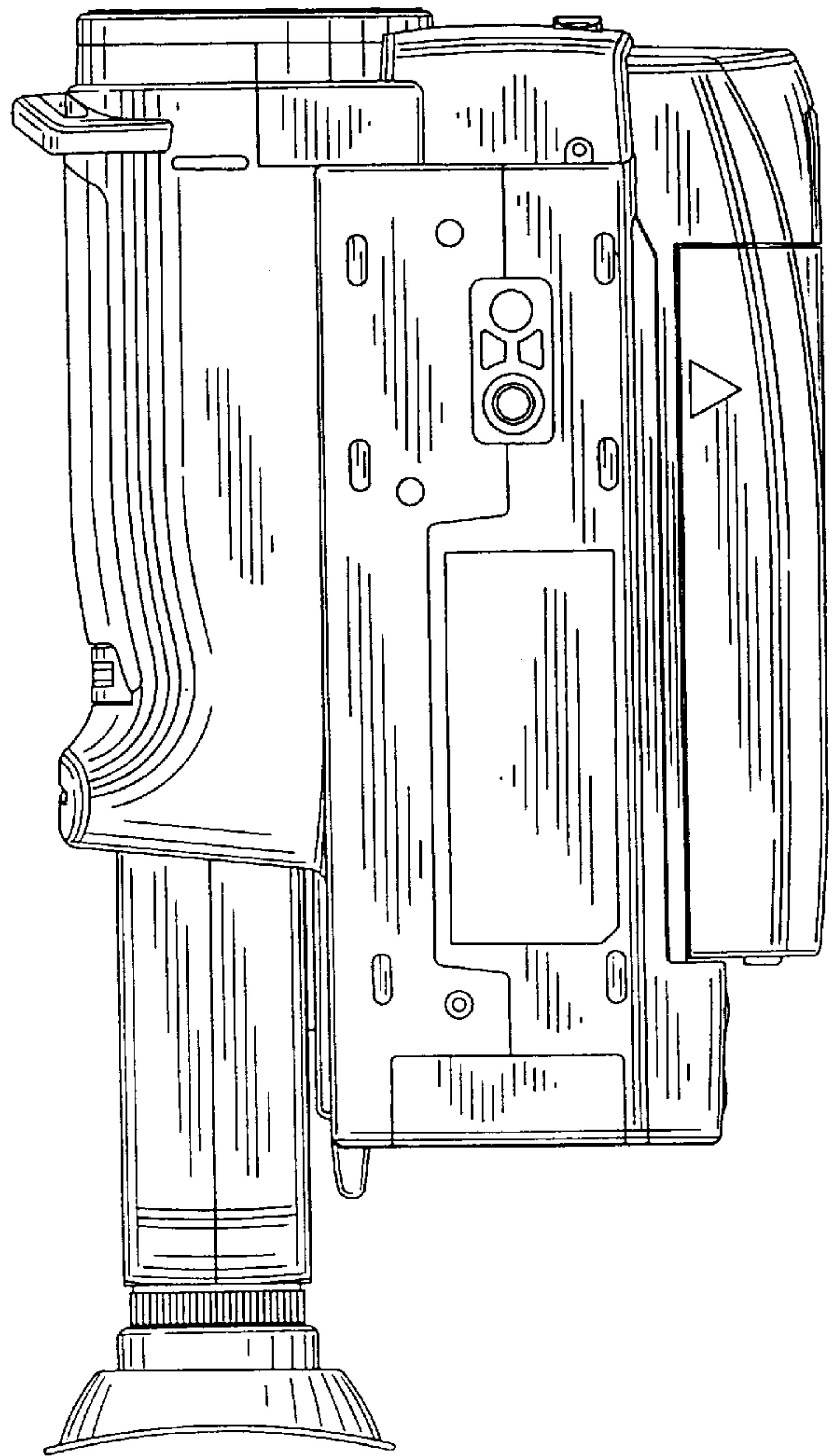


FIG. 6

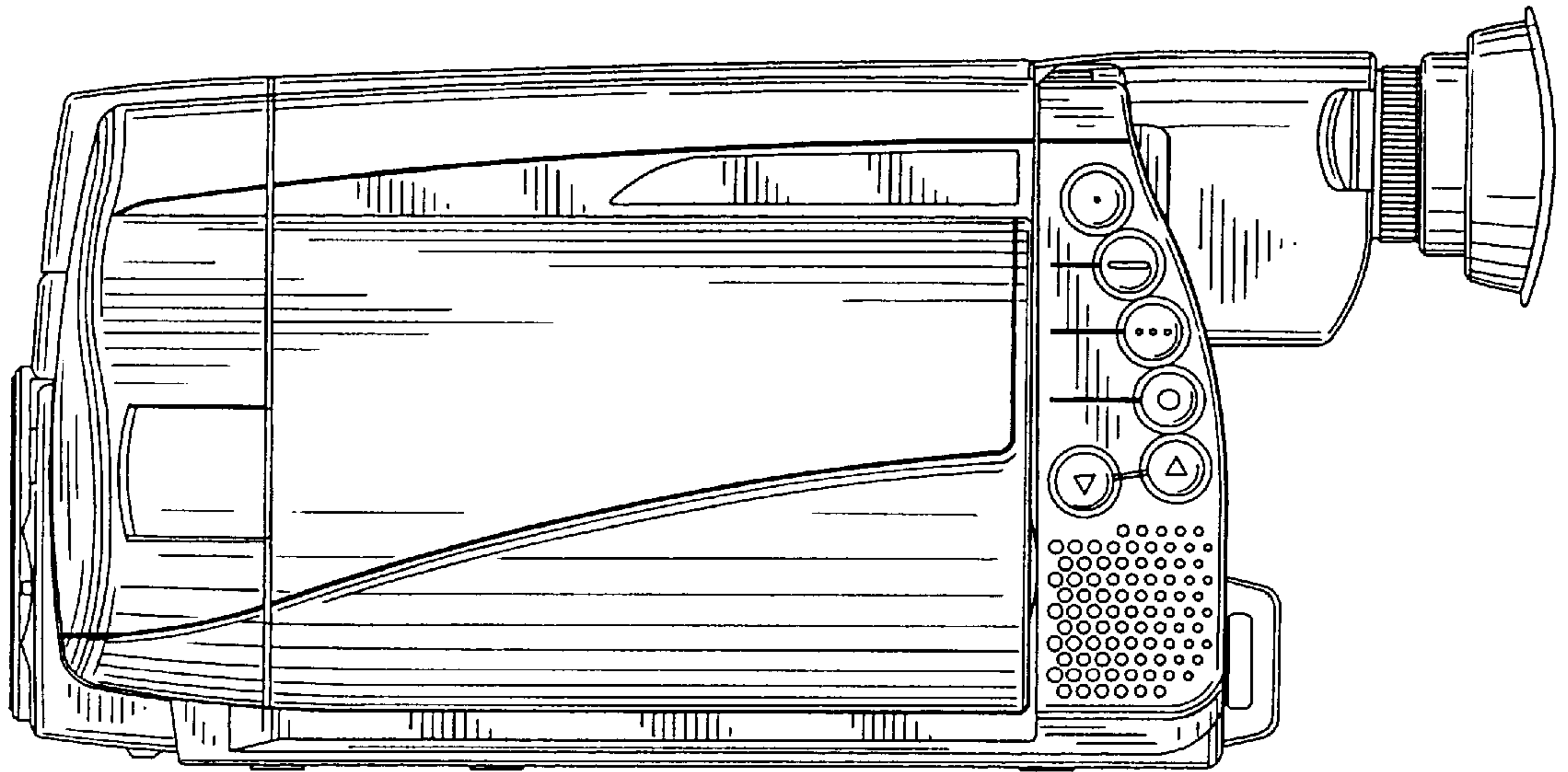


FIG. 7

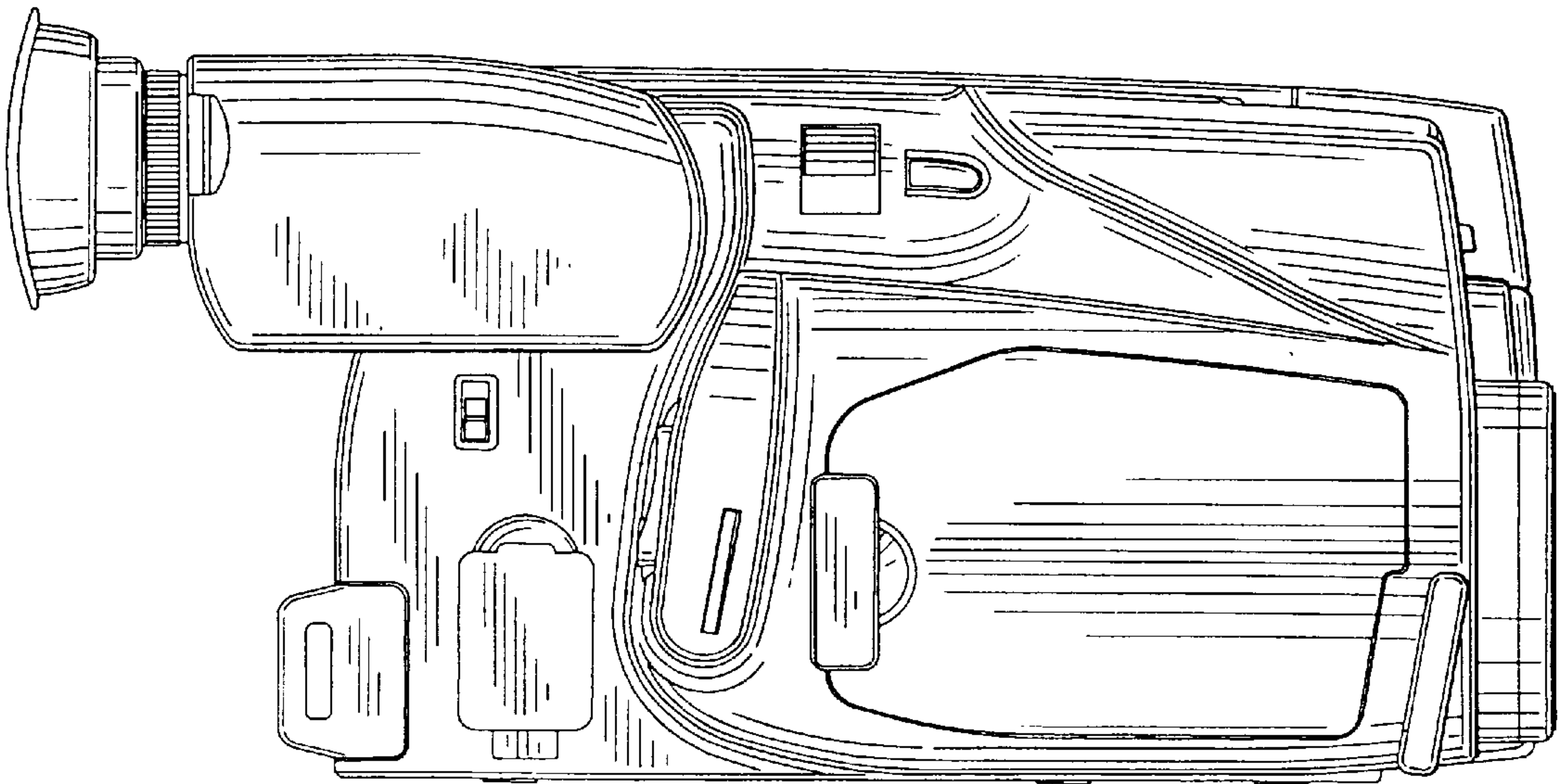


FIG. 8

