



US00D409213S

# United States Patent [19]

[11] **Patent Number: Des. 409,213**

**Bae**

[45] **Date of Patent: \*\* May 4, 1999**

[54] **DIGITAL CAMERA**

[75] Inventor: **Se Hwan Bae**, Kyungki-do, Rep. of Korea

[73] Assignee: **LG Electronics, Inc.**, Seoul, Rep. of Korea

[\*\*] Term: **14 Years**

[21] Appl. No.: **29/085,771**

[22] Filed: **Mar. 30, 1998**

[30] **Foreign Application Priority Data**

Sep. 30, 1997 [KR] Rep. of Korea ..... 97-20702

[51] **LOC (6) Cl.** ..... **16-01**

[52] **U.S. Cl.** ..... **D16/202; D16/209; D16/211**

[58] **Field of Search** ..... **D16/200-205, D16/207-211, 216-218; 348/373-376; 358/906, 909.1; 396/535-543**

[56] **References Cited**

**U.S. PATENT DOCUMENTS**

D. 384,963 10/1997 Sekita ..... D16/202

D. 385,569 10/1997 Takimura ..... D16/202  
D. 397,128 8/1998 Sugioka ..... D16/202  
D. 397,706 9/1998 Shibata ..... D16/202  
D. 398,317 9/1998 Isozaki et al. .... D16/202  
4,943,822 7/1990 Von Braunhut ..... 396/535

**OTHER PUBLICATIONS**

Camcorder, p. 12 (JVC's GR-SV3) Oct. 1994.

*Primary Examiner*—Ted Shooman  
*Assistant Examiner*—Adir Aronovich

[57] **CLAIM**

The ornamental design for a digital camera, as shown and described.

**DESCRIPTION**

FIG. 1 is a perspective view of the digital camera;  
FIG. 2 is a front view thereof;  
FIG. 3 is a rear view thereof;  
FIG. 4 is a left view thereof;  
FIG. 5 is a right side view thereof;  
FIG. 6 is a top plan view thereof;  
FIG. 7 is a bottom plan view thereof; and,  
FIG. 8 is a perspective view in practical use state thereof.

**1 Claim, 5 Drawing Sheets**

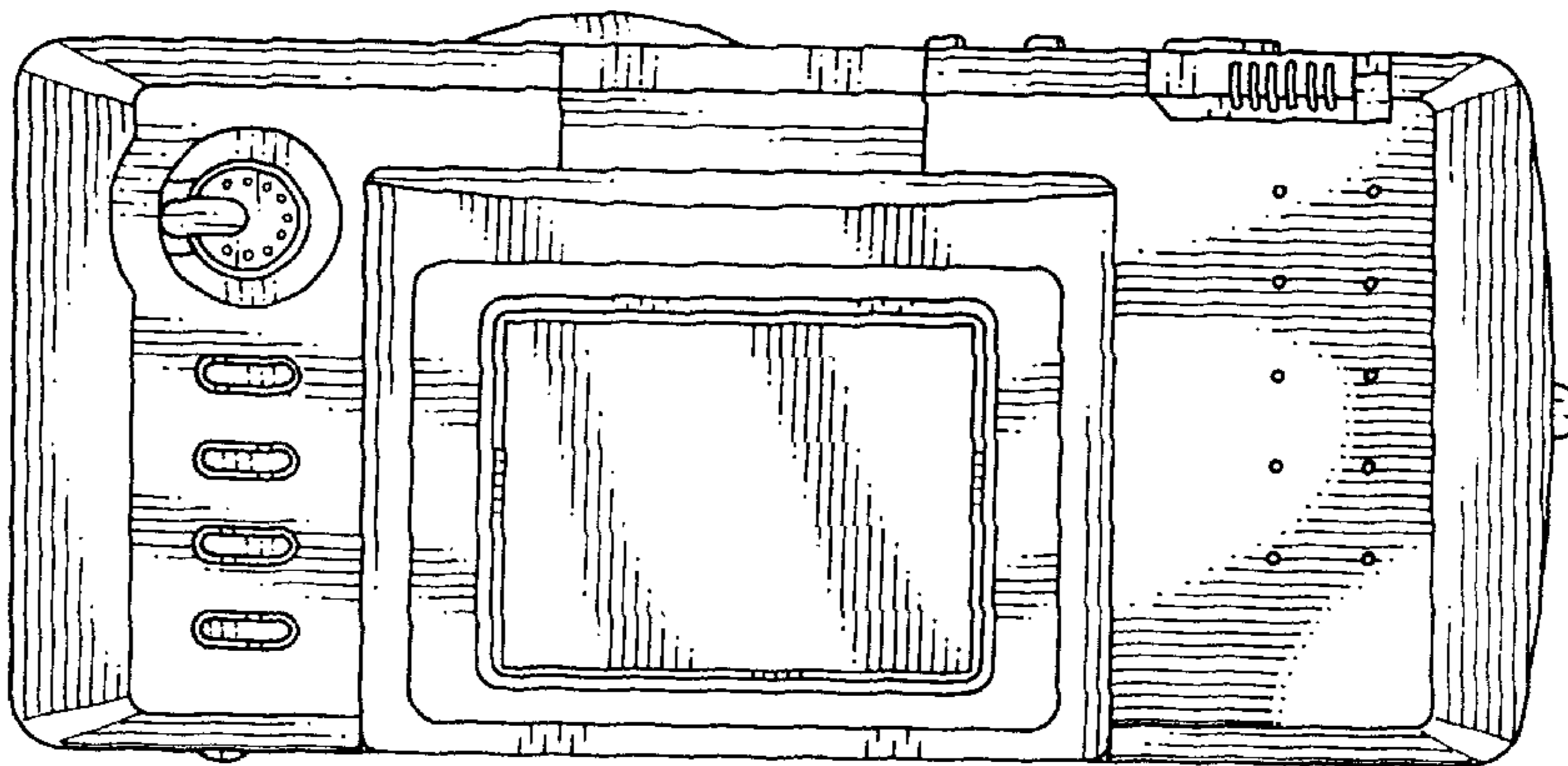
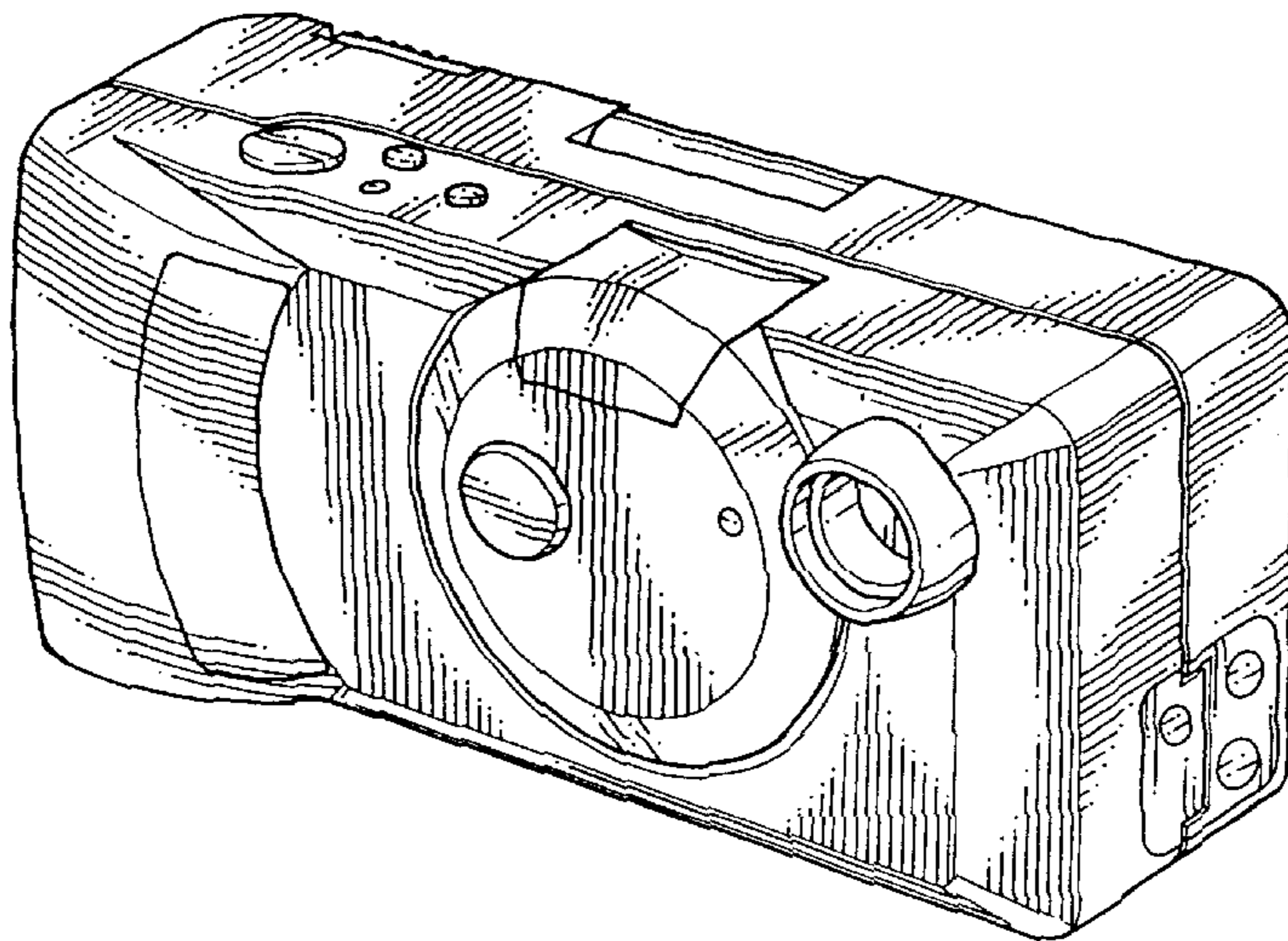


FIG. 1

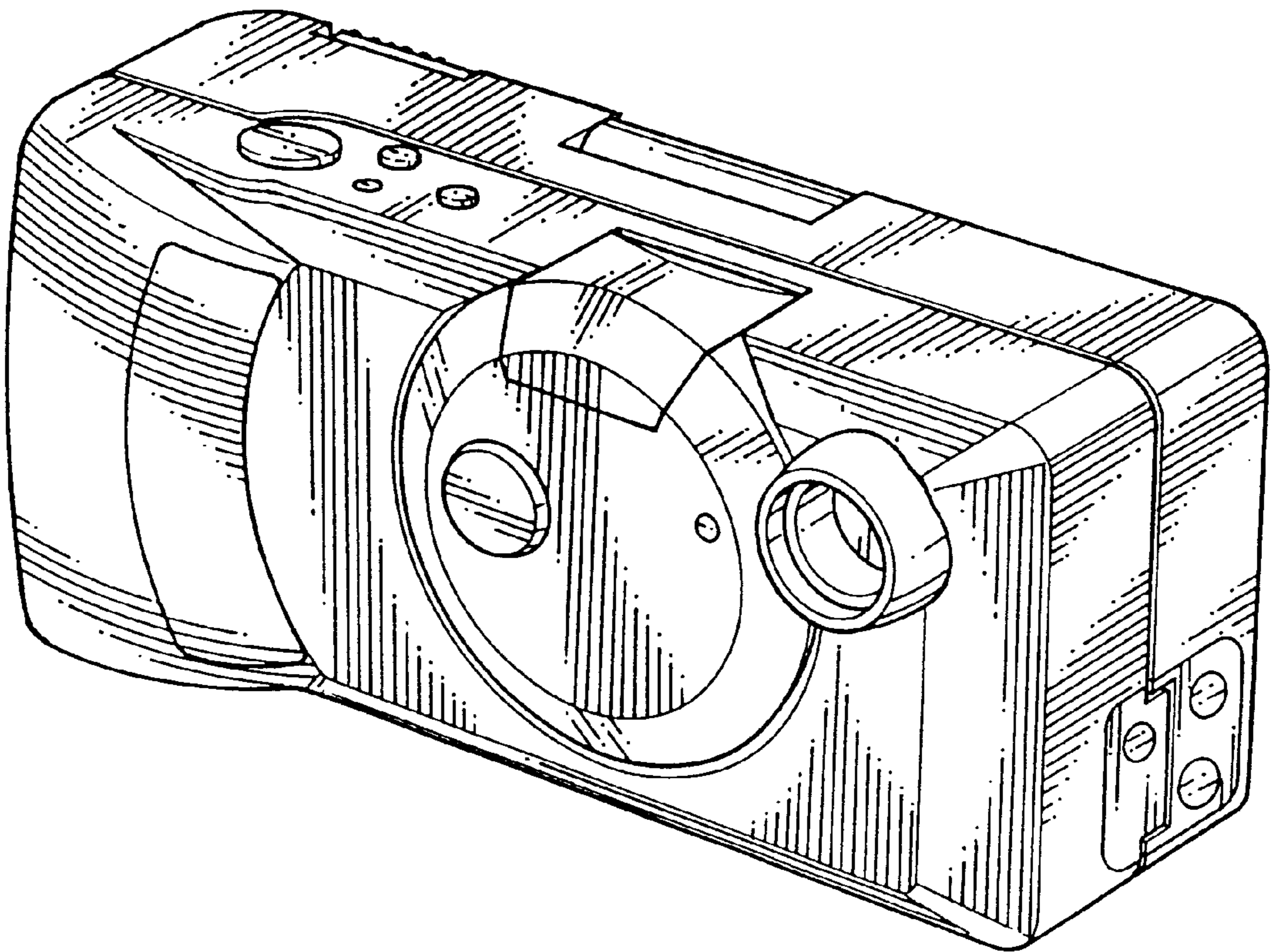


FIG. 2

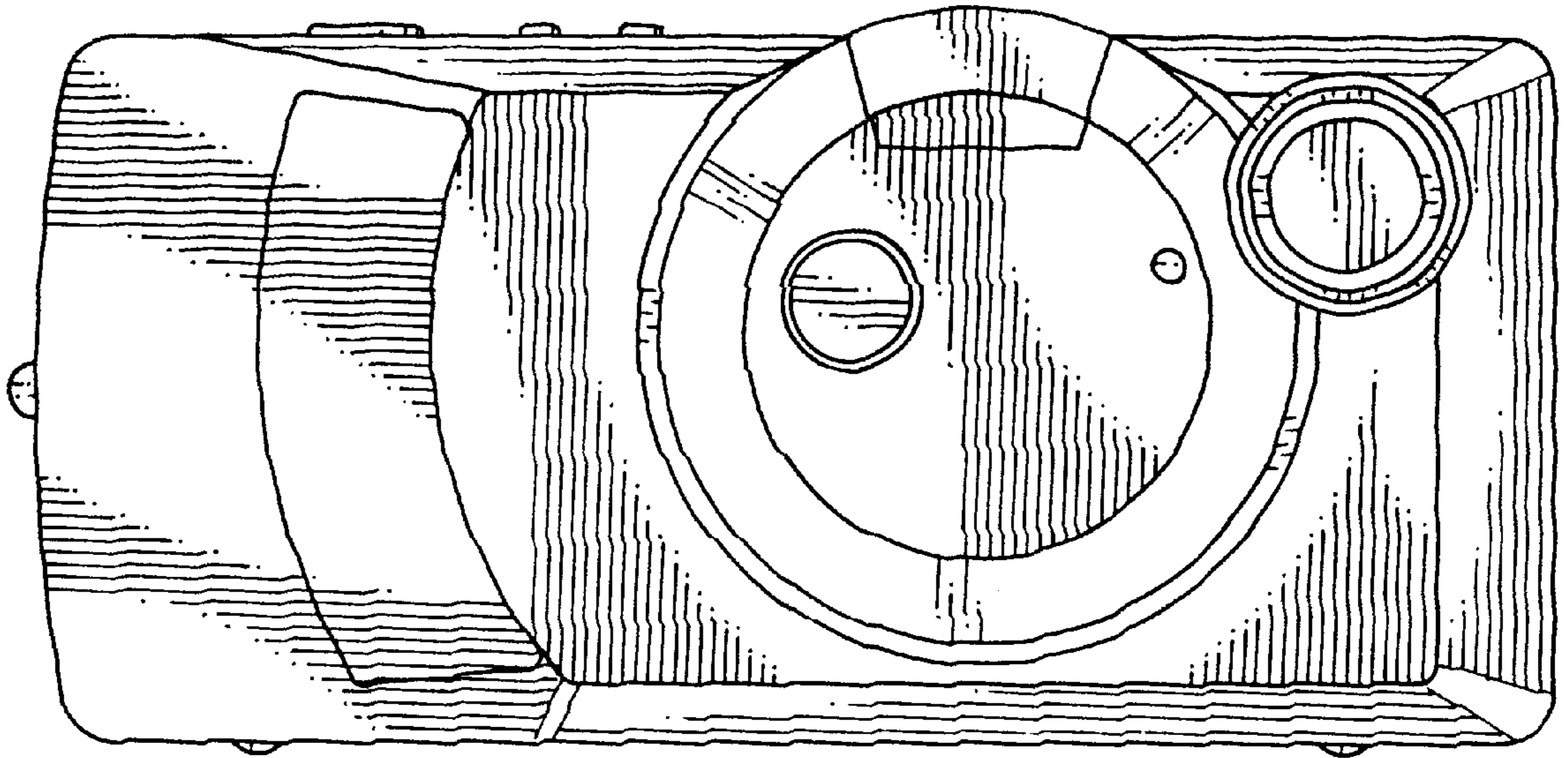


FIG. 3

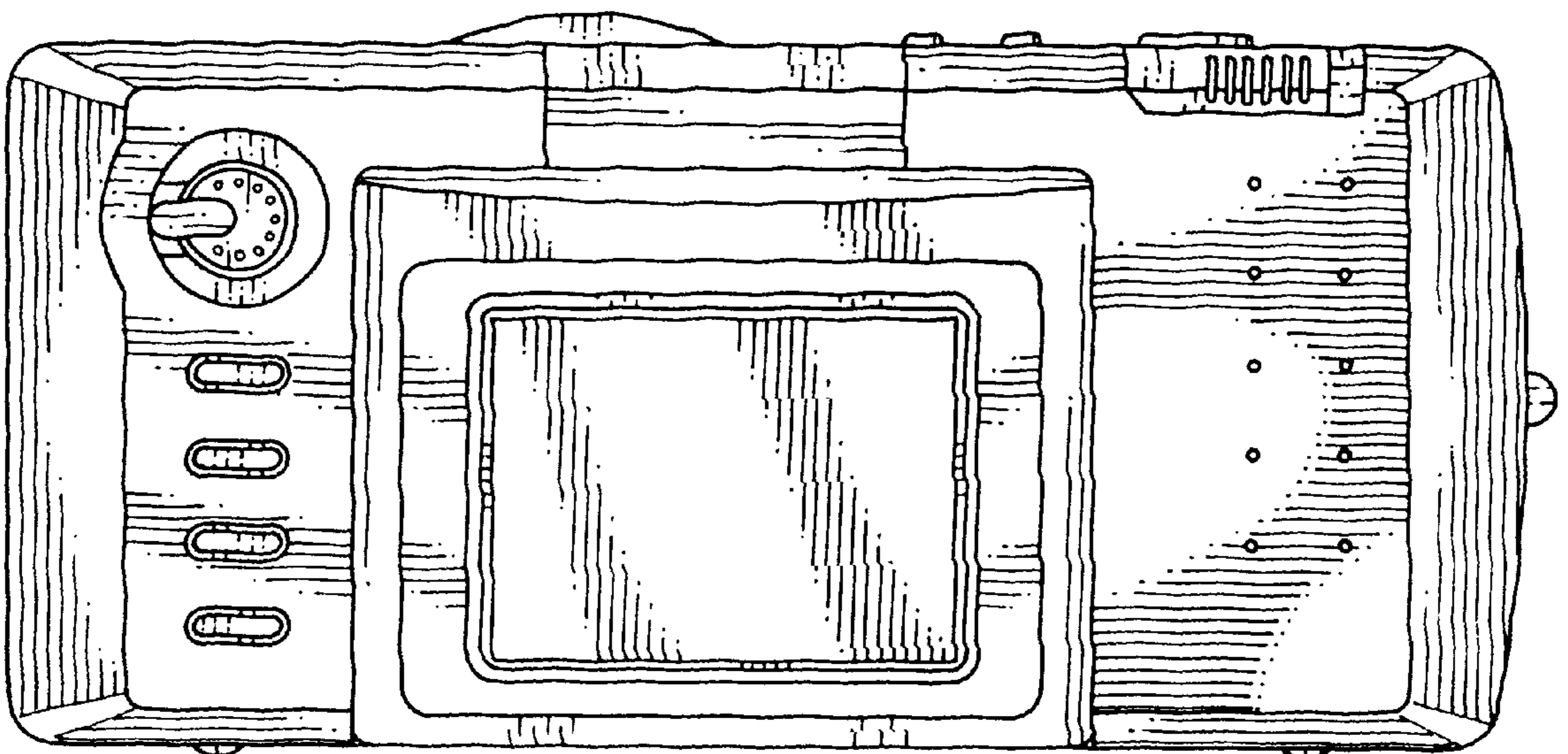


FIG. 4

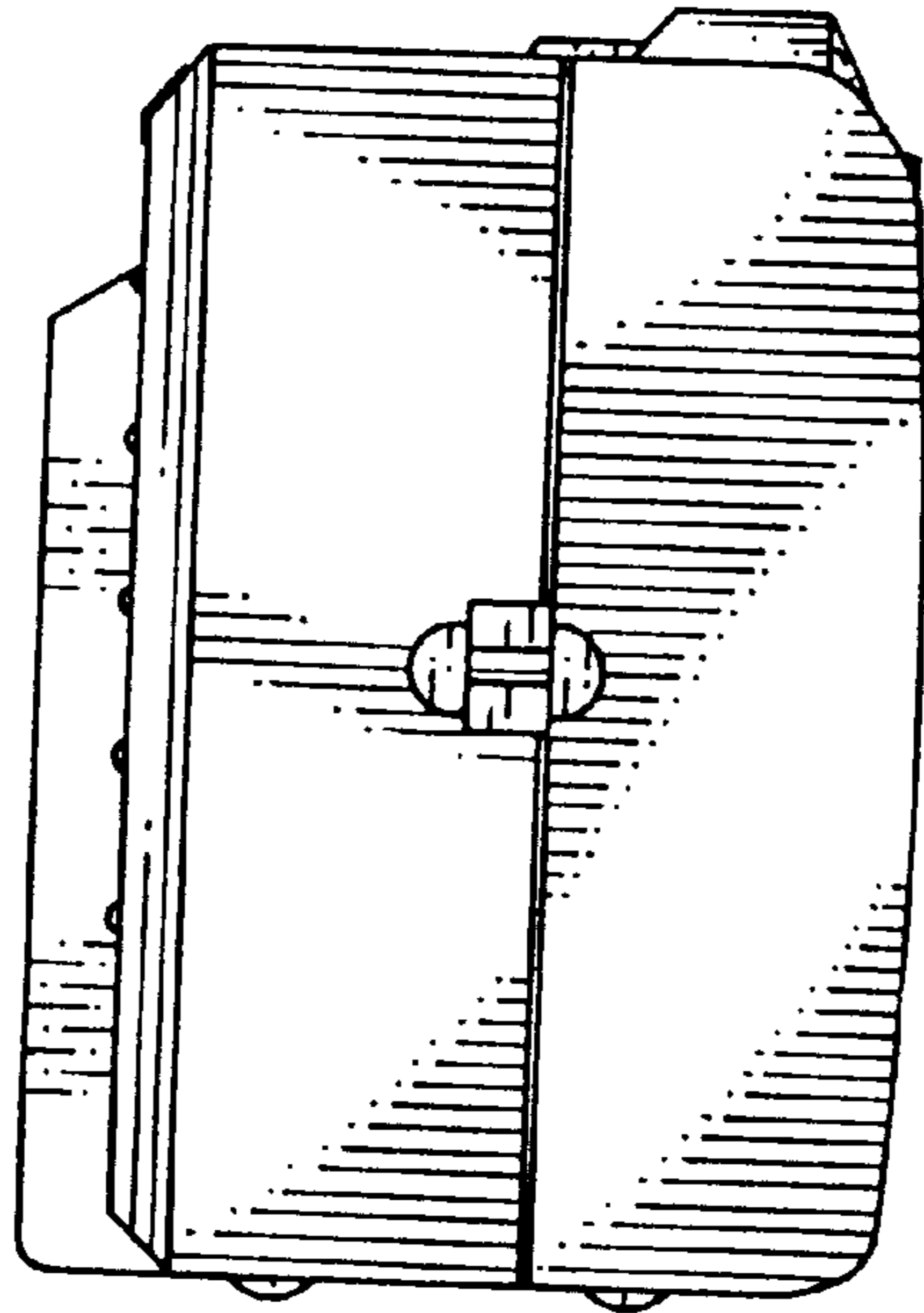


FIG. 5

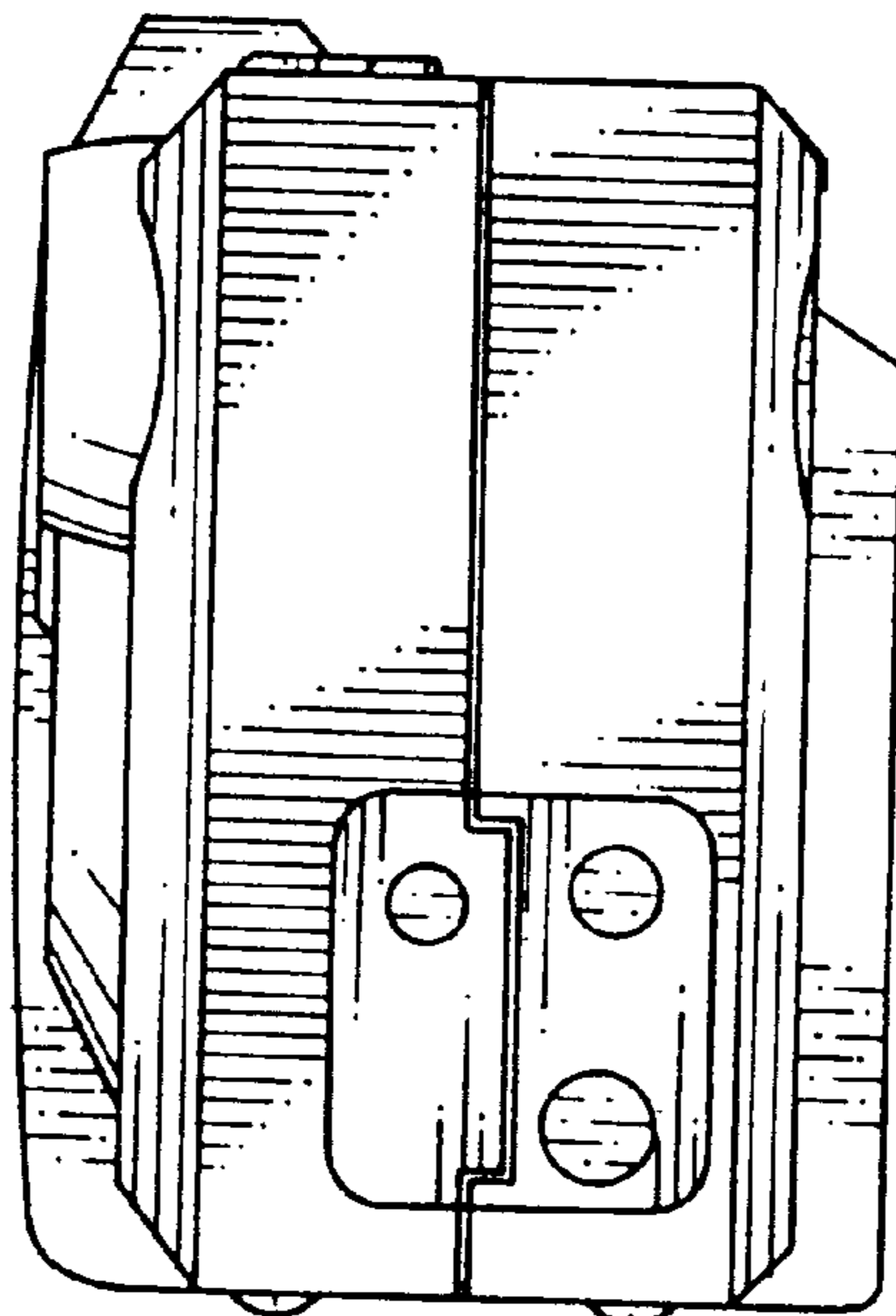


FIG. 6

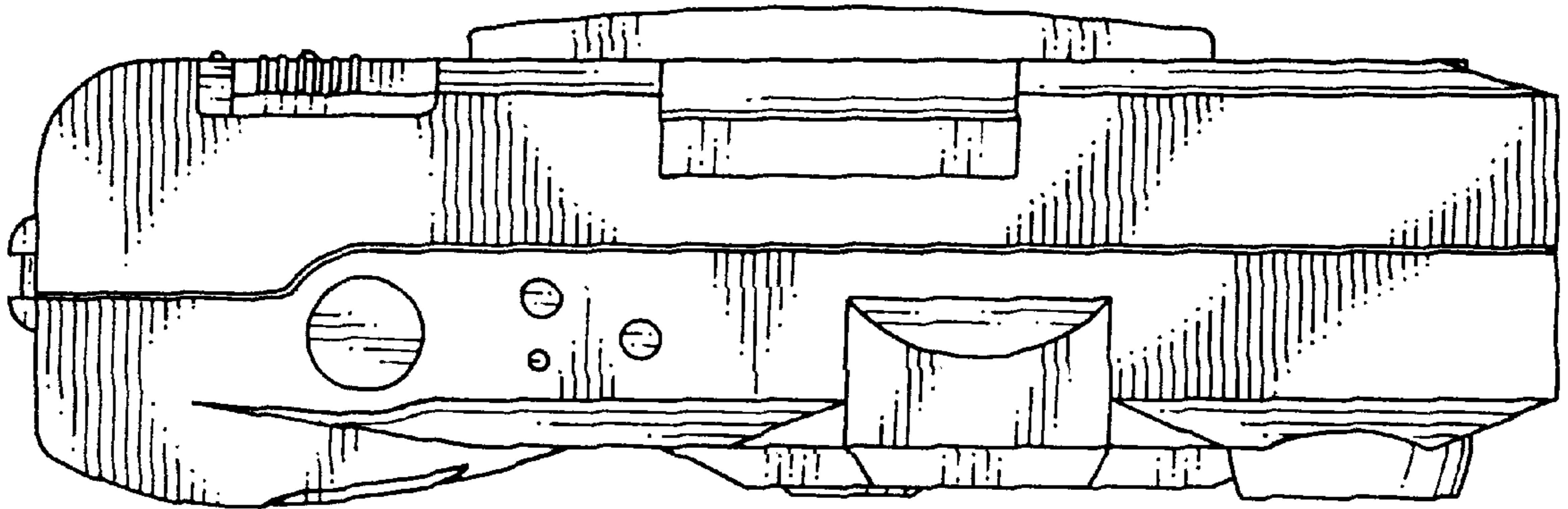


FIG. 7

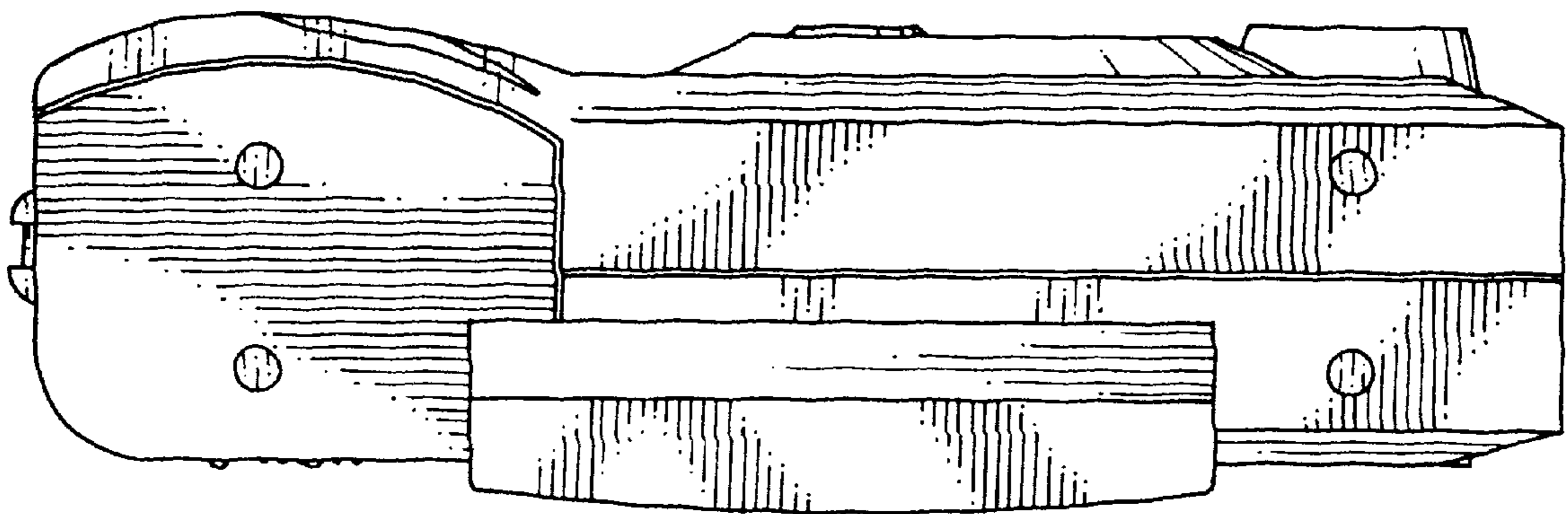


FIG. 8

