



US00D409212S

United States Patent [19] Omino

[11] Patent Number: **Des. 409,212**

[45] Date of Patent: **** May 4, 1999**

[54] **BINOCULARS**

[75] Inventor: **Seiichi Omino**, Kawasaki, Japan

[73] Assignee: **Canon Kabushiki Kaisha**, Tokyo, Japan

[**] Term: **14 Years**

[21] Appl. No.: **29/086,455**

[22] Filed: **Apr. 14, 1998**

[30] **Foreign Application Priority Data**

Oct. 16, 1997 [JP] Japan 9-71634

[51] **LOC (6) Cl.** **16-06**

[52] **U.S. Cl.** **D16/133**

[58] **Field of Search** D16/130, 133;
359/407, 408, 410, 411, 412, 414, 415,
416, 417, 418, 421, 422, 554, 555, 556

[56] **References Cited**

U.S. PATENT DOCUMENTS

D. 336,654 6/1993 Kung D16/133
D. 360,215 7/1995 Moro et al. D16/133

D. 375,754 11/1996 Miyahara D16/133
D. 387,785 12/1997 Matsushita et al. D16/133
D. 395,055 6/1998 Lee D16/133
D. 395,906 7/1998 Konno D16/133
2,124,157 7/1938 Trautmann 359/418
4,436,386 3/1984 Ishibai et al. 359/417
4,568,155 2/1986 Shimizu 359/414

Primary Examiner—Paula A. Mortimer
Attorney, Agent, or Firm—Fitzpatrick, Cella, Harper & Scinto

[57] **CLAIM**

The ornamental design for binoculars, as shown and described.

DESCRIPTION

FIG. 1 is a front view of binoculars showing my new design; FIG. 2 is a rear view thereof; FIG. 3 is a top plan view thereof; FIG. 4 is a bottom plan view thereof; FIG. 5 is a left side view thereof; FIG. 6 is a right side view thereof; and, FIG. 7 is a perspective view thereof.

1 Claim, 3 Drawing Sheets

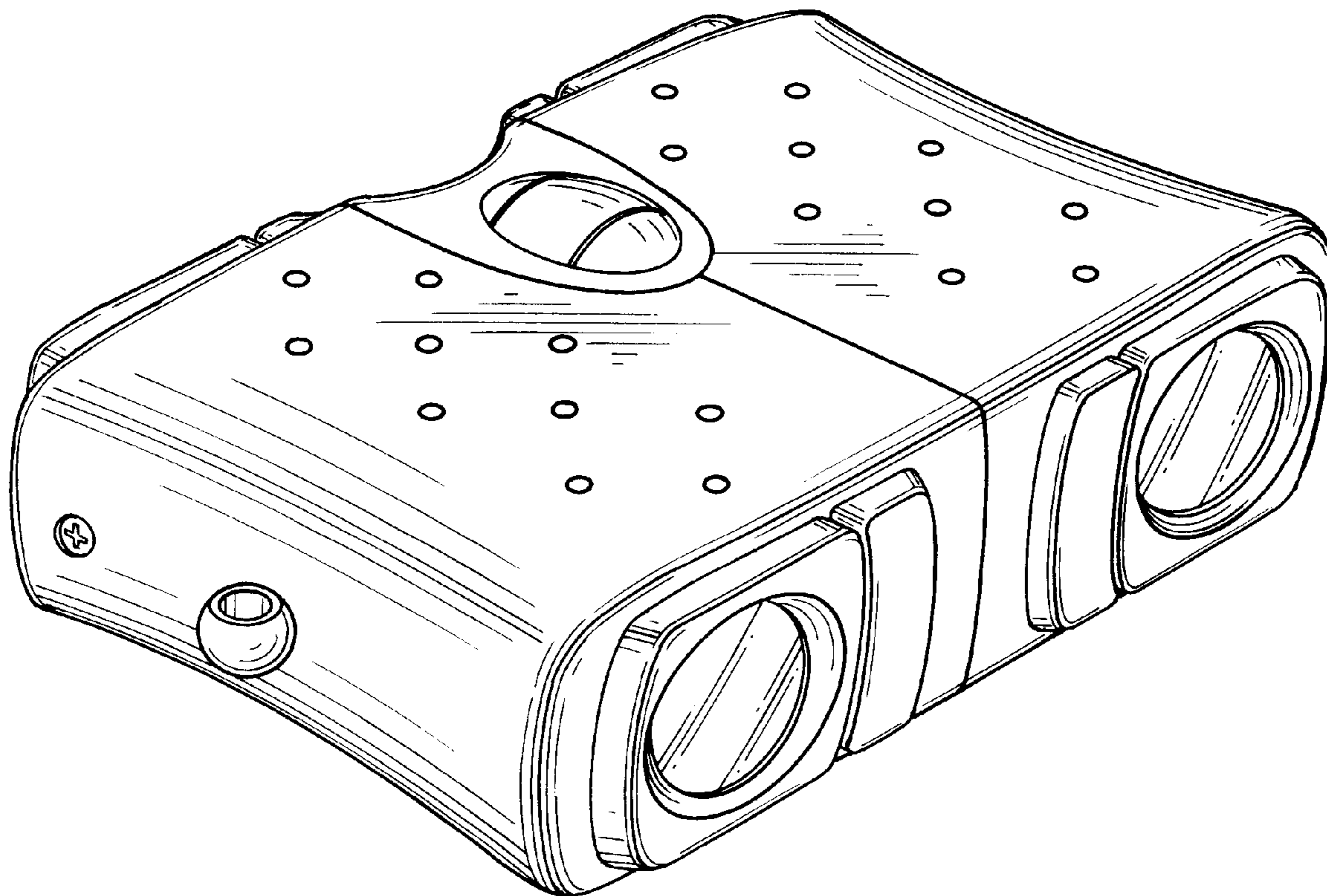


FIG. 1

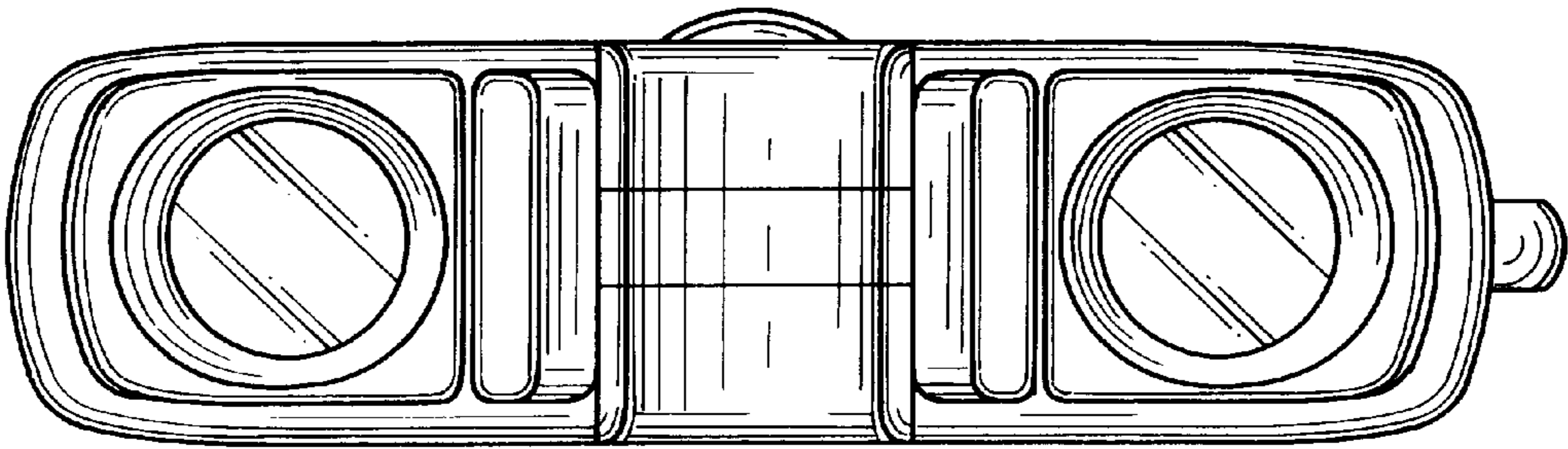


FIG. 2

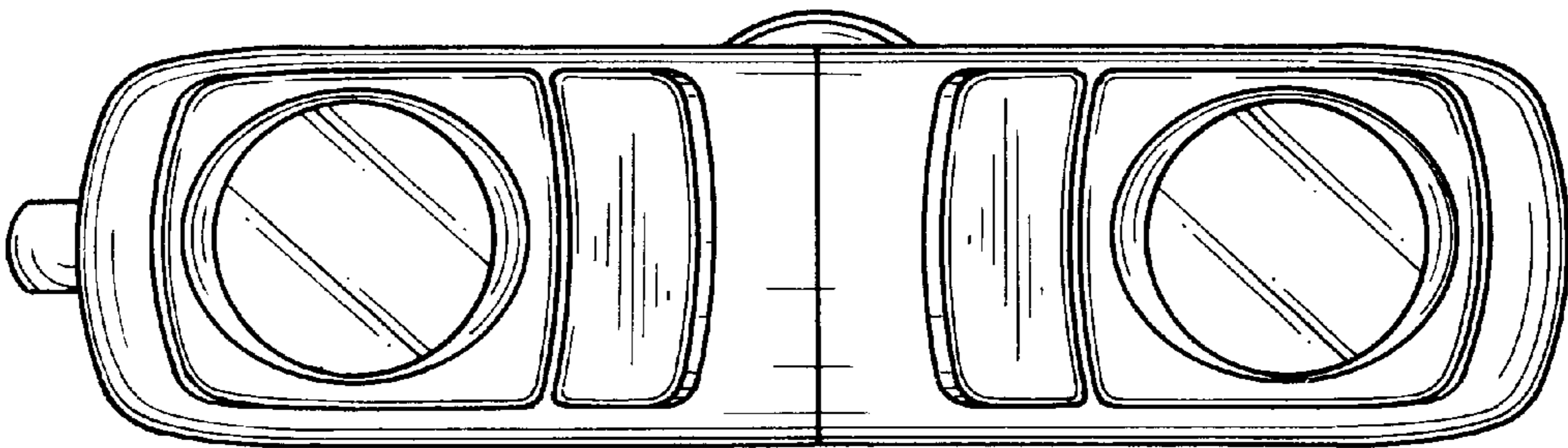


FIG. 3

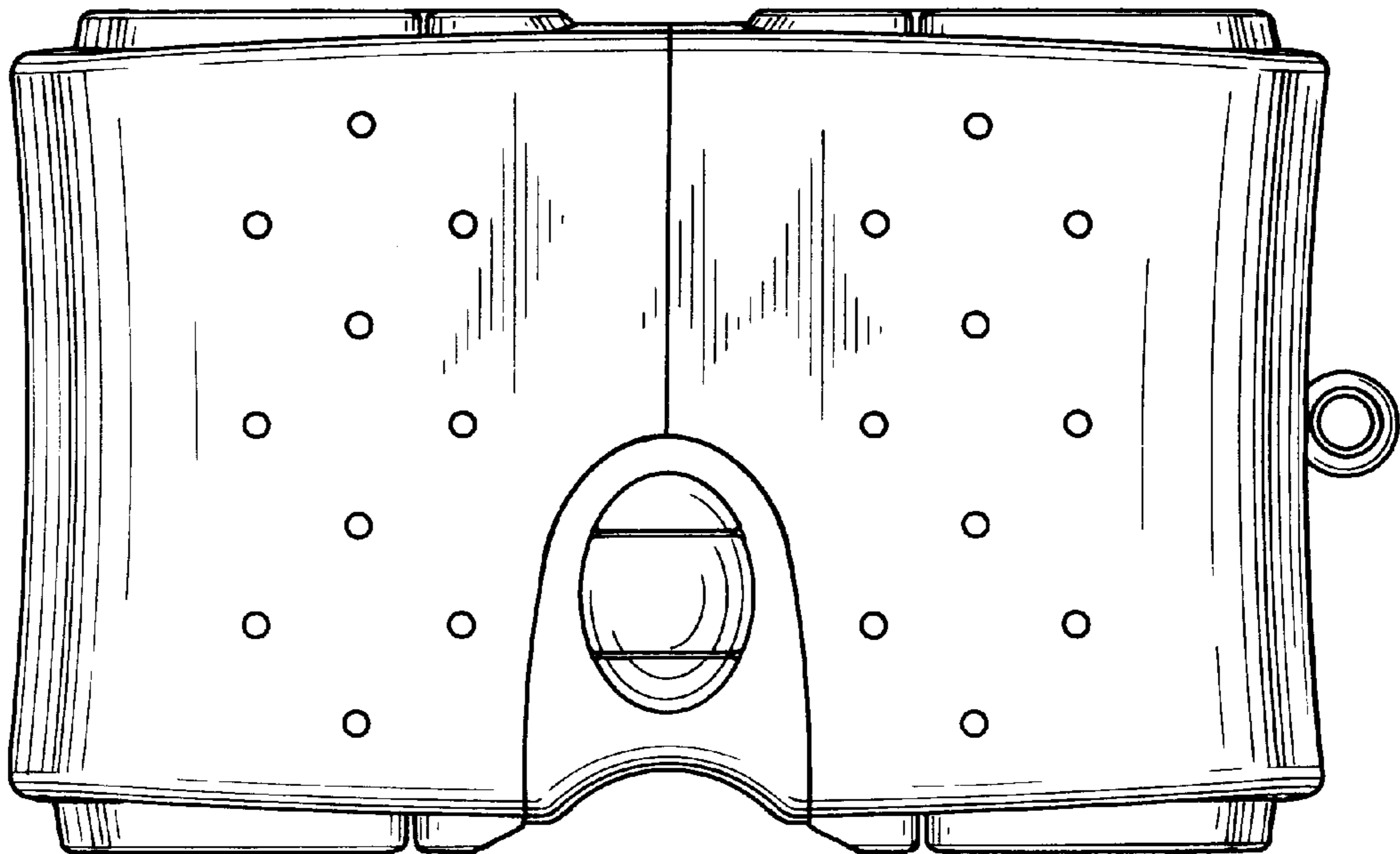


FIG. 4

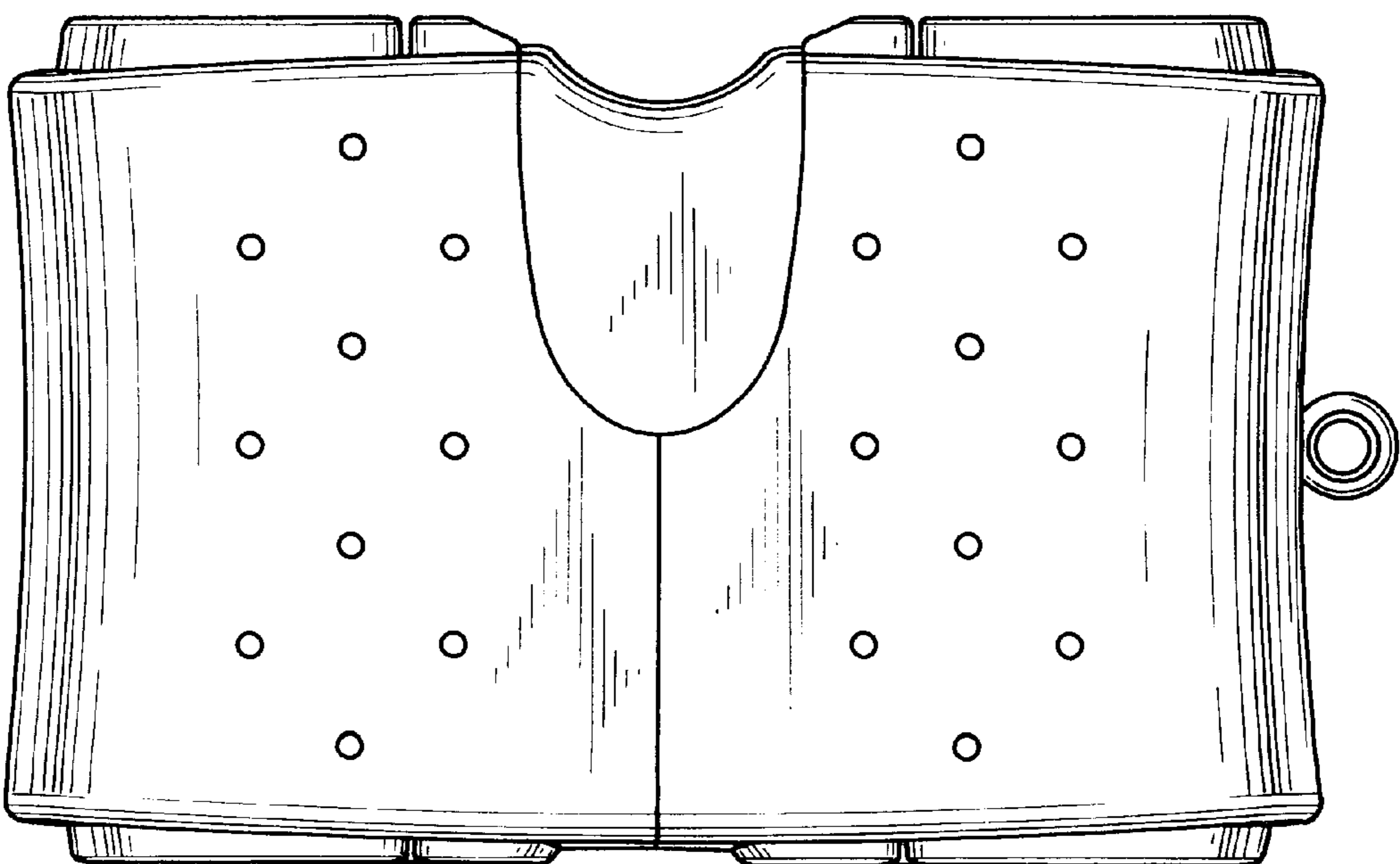


FIG. 5

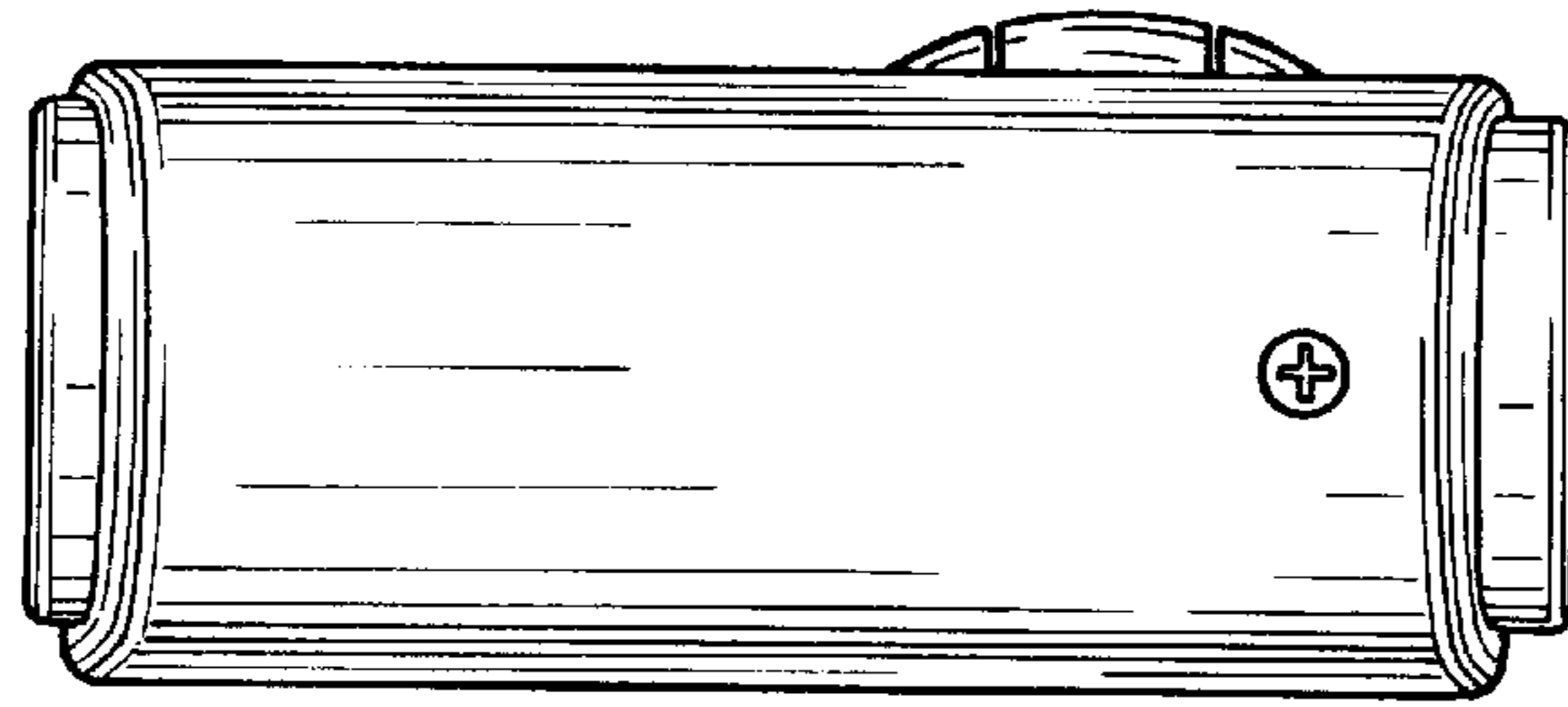


FIG. 6

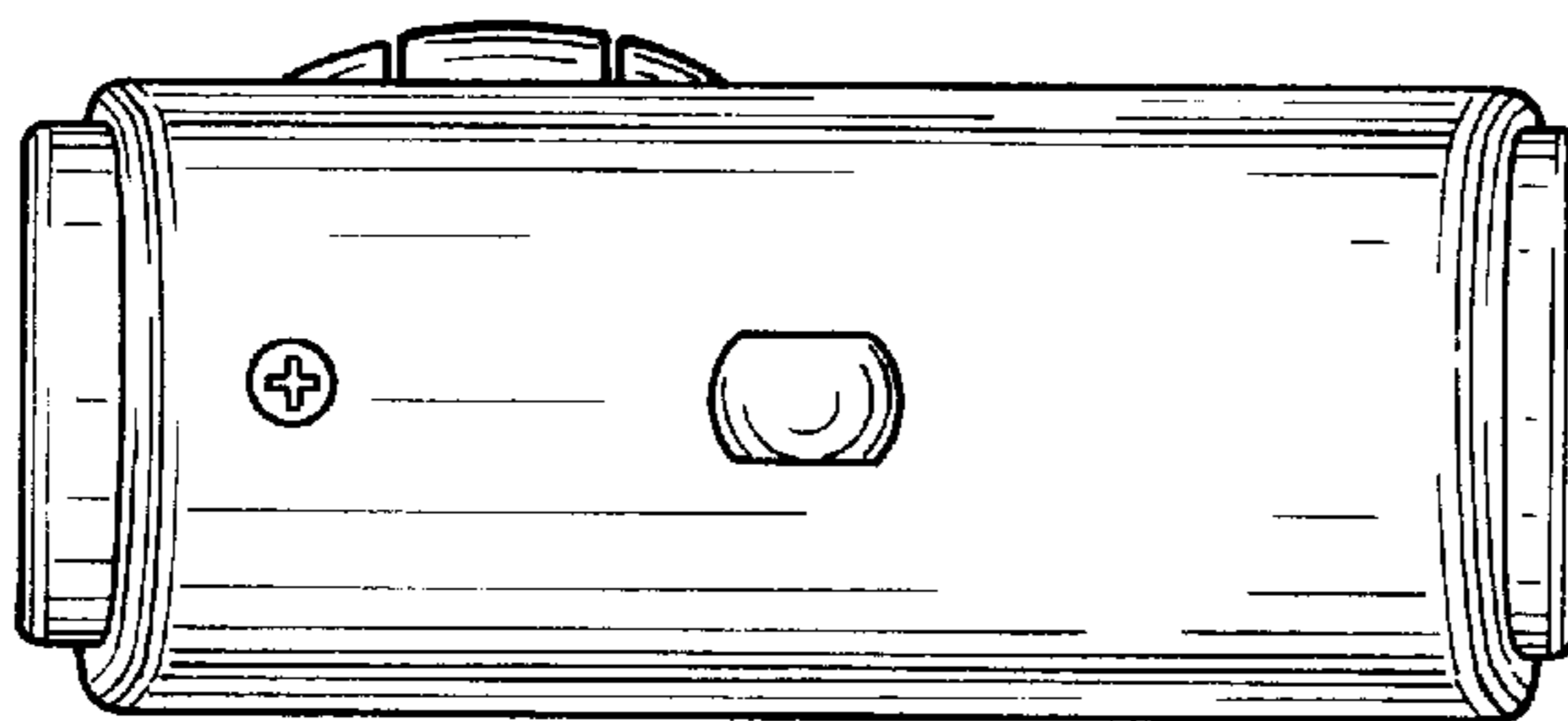


FIG. 7

