



US00D409209S

United States Patent [19]

Kobayashi et al.

[11] Patent Number: **Des. 409,209**

[45] Date of Patent: **** May 4, 1999**

[54] **WIRE SAW HOUSING**

[75] Inventors: **Shigeo Kobayashi; Yasuhiro Ito**, both of Yokohama, Japan

[73] Assignee: **Nippei Toyama Corporation**, Tokyo, Japan

[**] Term: **14 Years**

[21] Appl. No.: **29/092,071**

[22] Filed: **Aug. 12, 1998**

Related U.S. Application Data

[62] Division of application No. 29/064,300, Mar. 20, 1997.

Foreign Application Priority Data

Jun. 28, 1996	[JP]	Japan	8-19227
Dec. 6, 1996	[JP]	Japan	8-37121
Dec. 6, 1996	[JP]	Japan	8-37122
Dec. 6, 1996	[JP]	Japan	8-37123
Dec. 6, 1996	[JP]	Japan	8-37124
Dec. 6, 1996	[JP]	Japan	8-37125
Dec. 6, 1996	[JP]	Japan	8-37126
Dec. 6, 1996	[JP]	Japan	8-37127
Dec. 6, 1996	[JP]	Japan	8-37128
Dec. 6, 1996	[JP]	Japan	8-37129
Dec. 6, 1996	[JP]	Japan	8-37130
Dec. 6, 1996	[JP]	Japan	8-37131
Dec. 6, 1996	[JP]	Japan	8-37132
Dec. 6, 1996	[JP]	Japan	8-37133

[52] U.S. Cl. **D15/133**

[58] Field of Search **D15/133; 125/16.2, 125/21; 83/651.1**

[56] References Cited

U.S. PATENT DOCUMENTS

D. 336,749 6/1993 Lenard et al. **D15/133 X**

Primary Examiner—Antoine Duval Davis
Attorney, Agent, or Firm—Stetina Brunda Garred & Brucker

[57] CLAIM

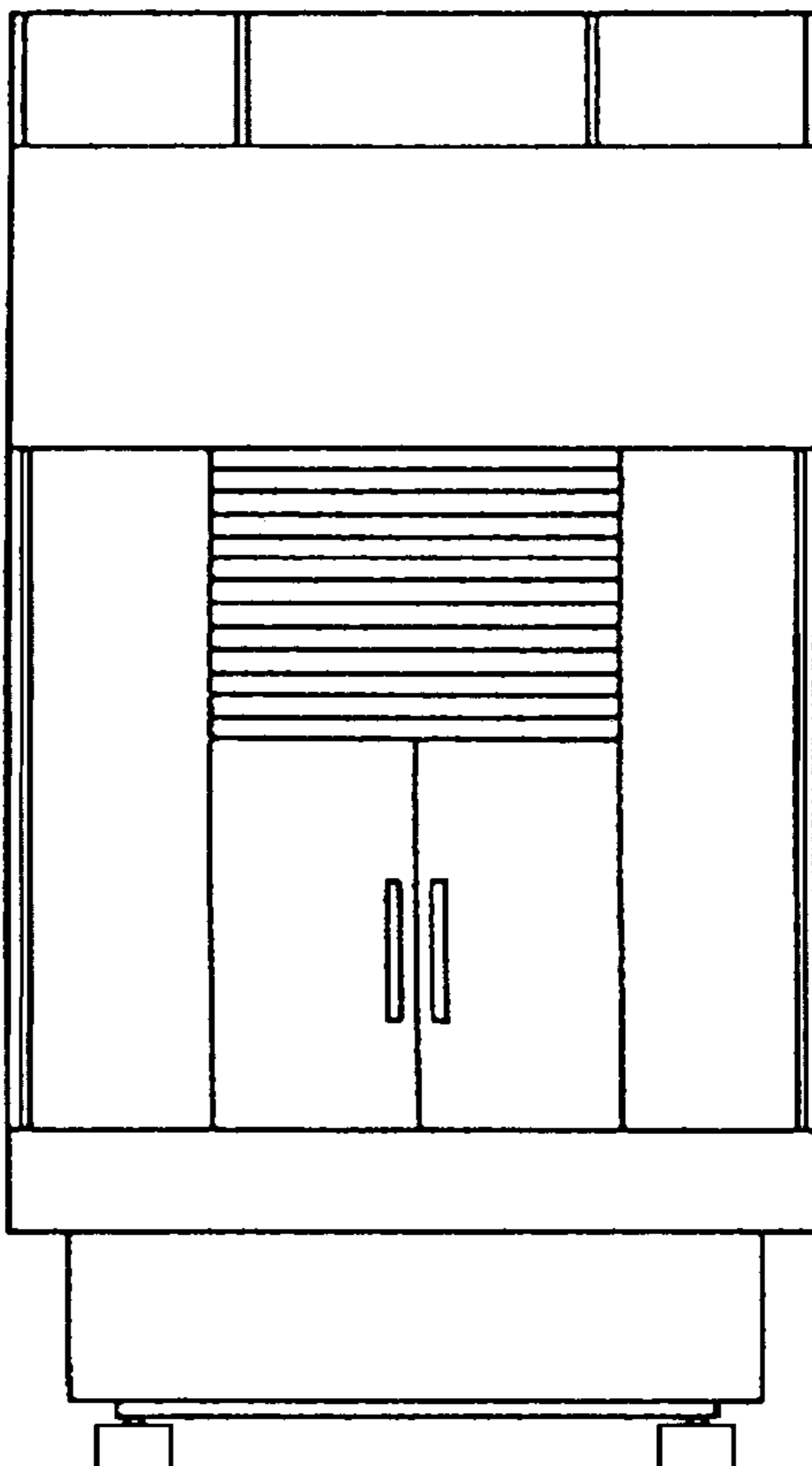
The ornamental design for a wire saw housing, as shown and described.

DESCRIPTION

FIG. 1 is a front elevational view of a eleventh embodiment of the wire saw housing;
FIG. 2 is a rear elevational view thereof;
FIG. 3 is a top plan view thereof;
FIG. 4 is a bottom plan view thereof;
FIG. 5 is a right side elevational view thereof;
FIG. 6 is a left side elevational view thereof;
FIG. 7 is a front perspective view thereof;
FIG. 8 is a rear perspective view thereof; and,
FIG. 9 is a front perspective view thereof with the front doors opened.

[51] LOC (6) Cl. **15-09**

1 Claim, 6 Drawing Sheets



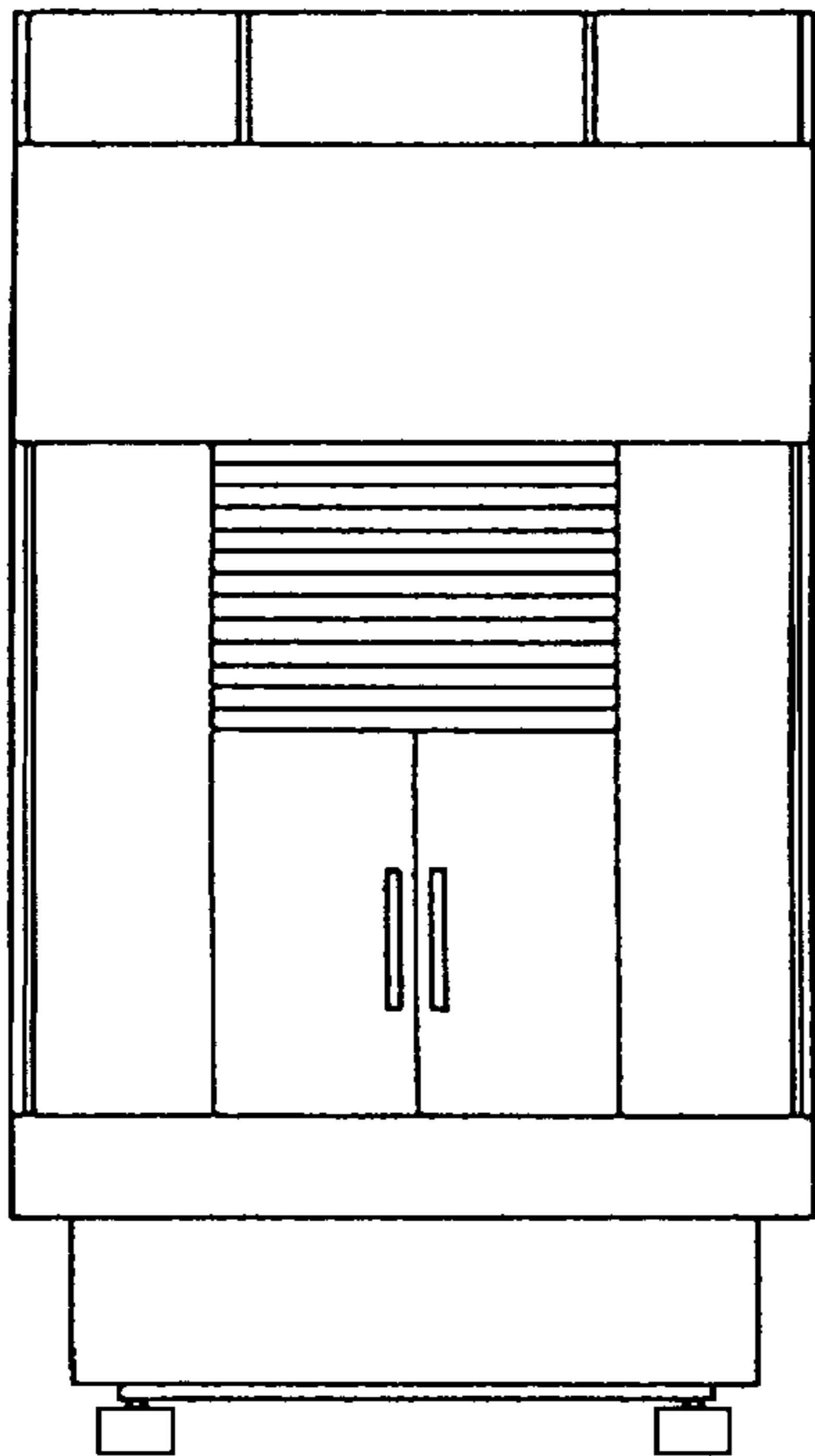


Fig. 1

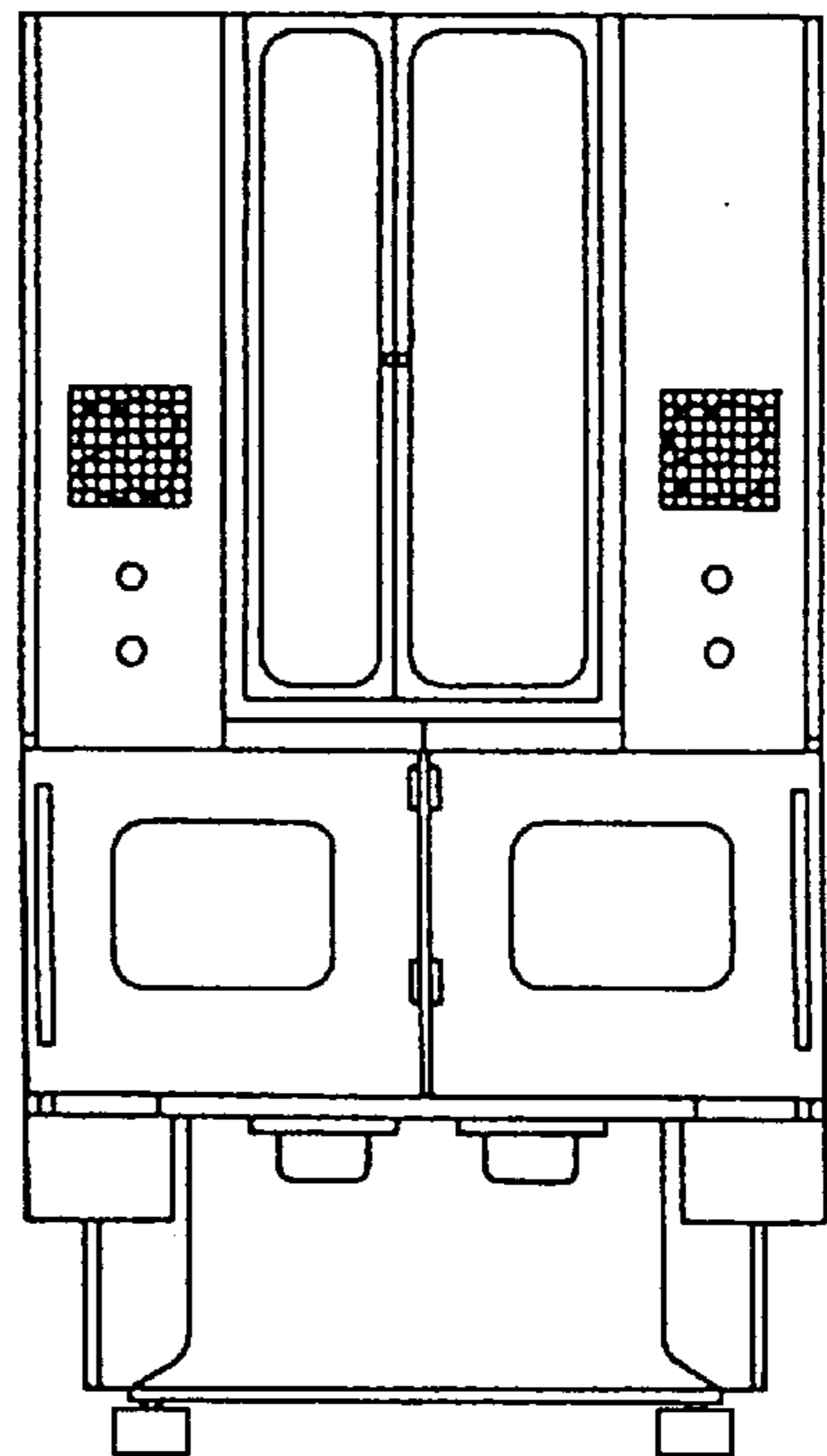


Fig. 2

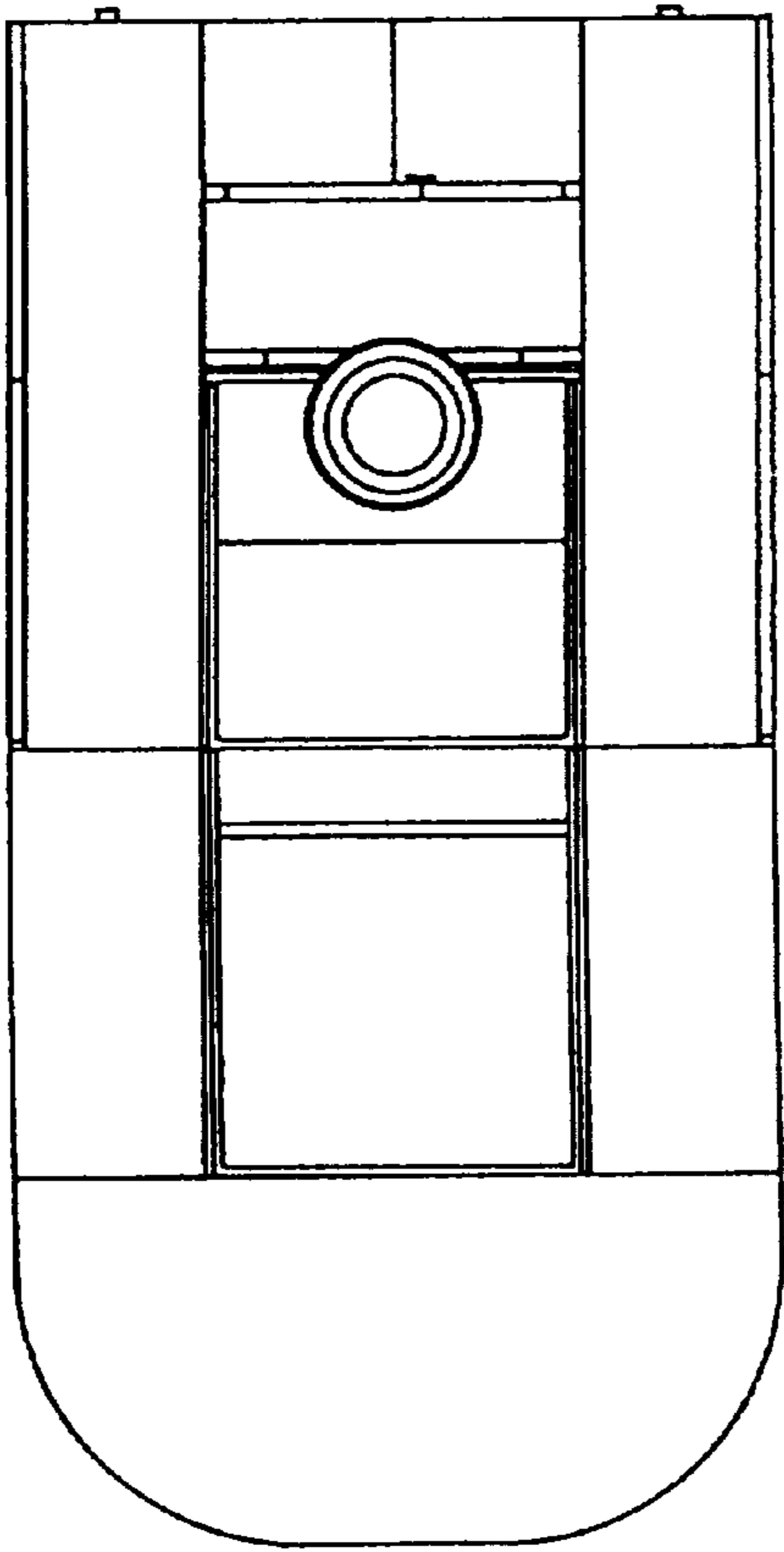


Fig. 3

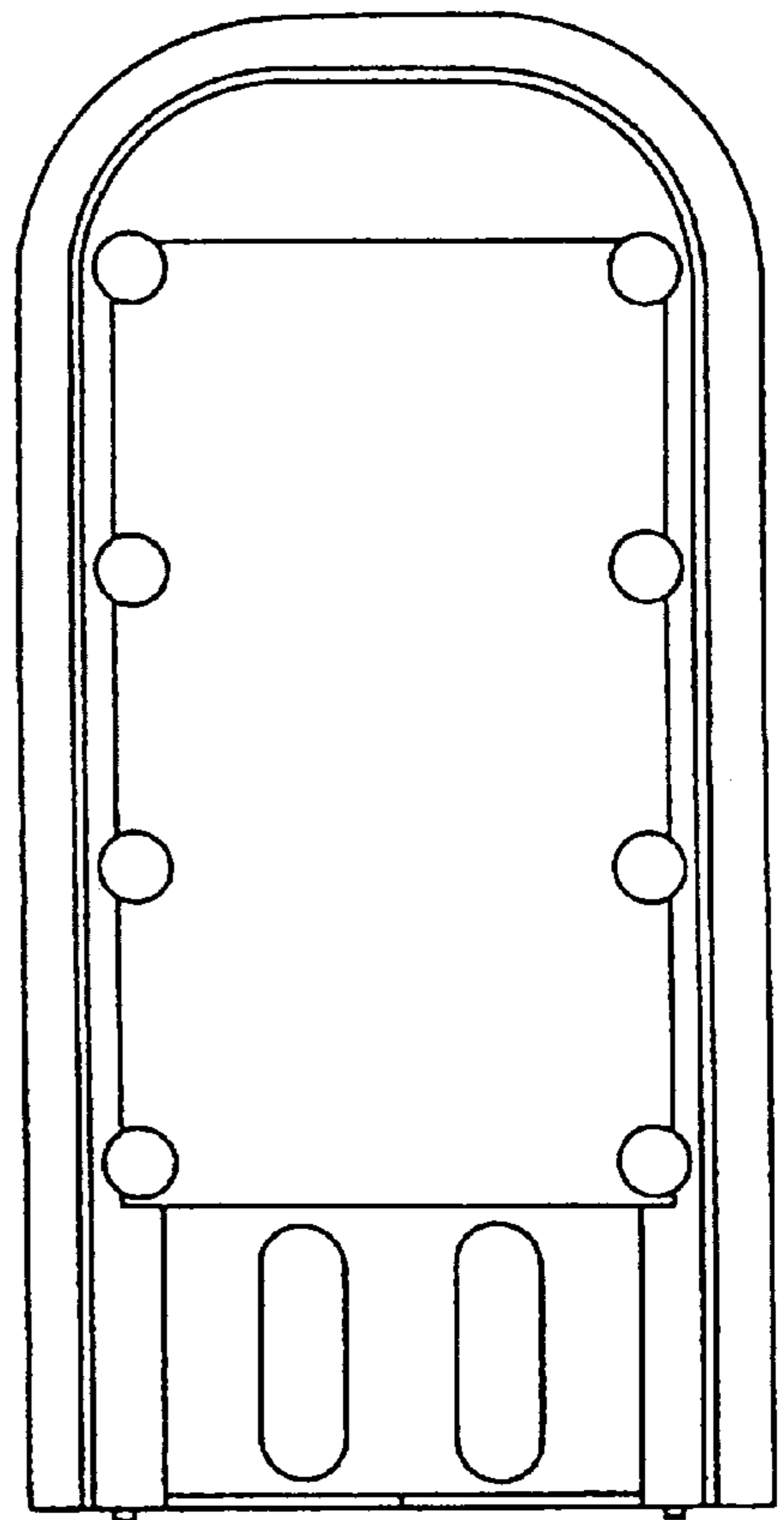


Fig. 4

Fig. 5

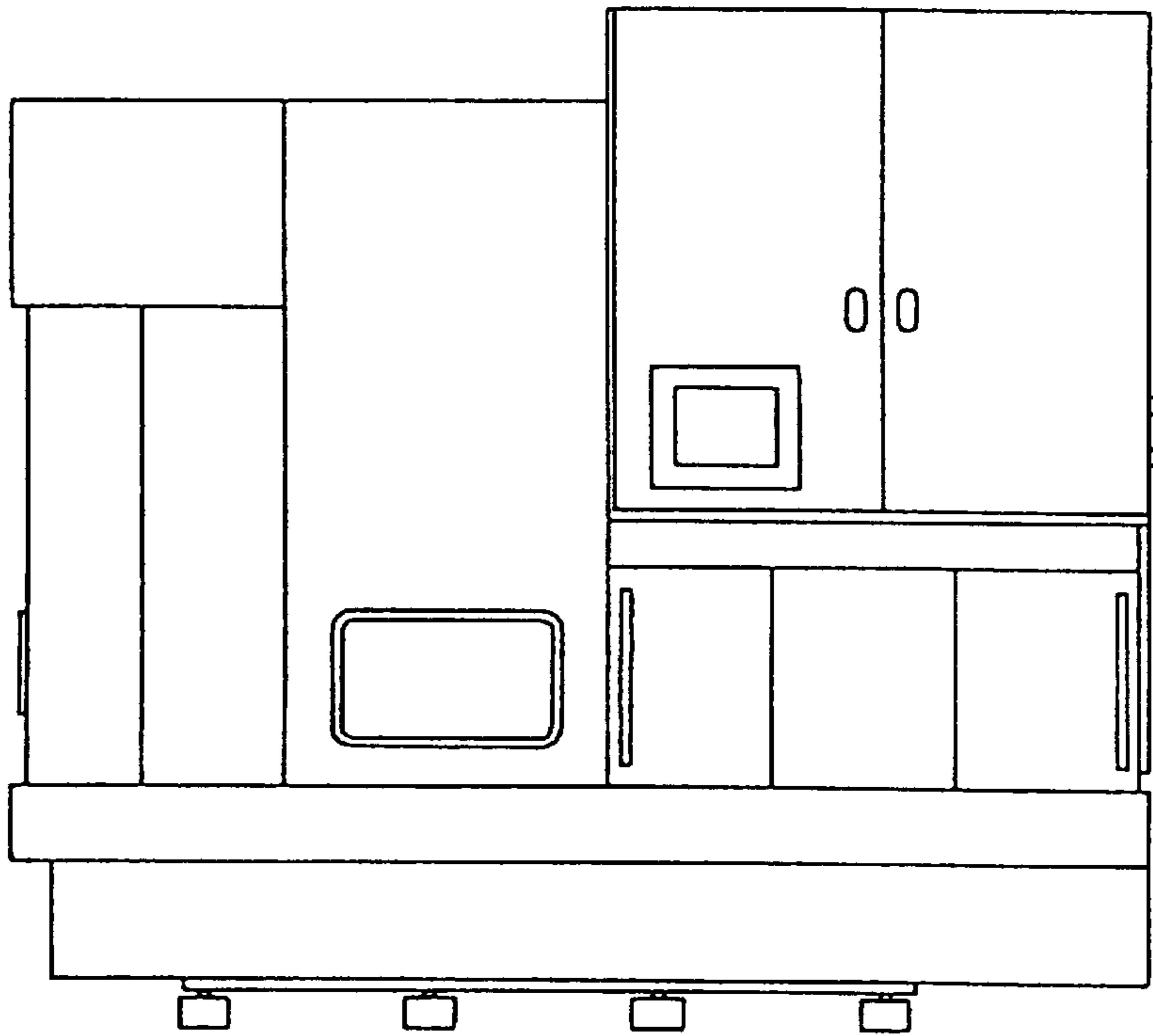
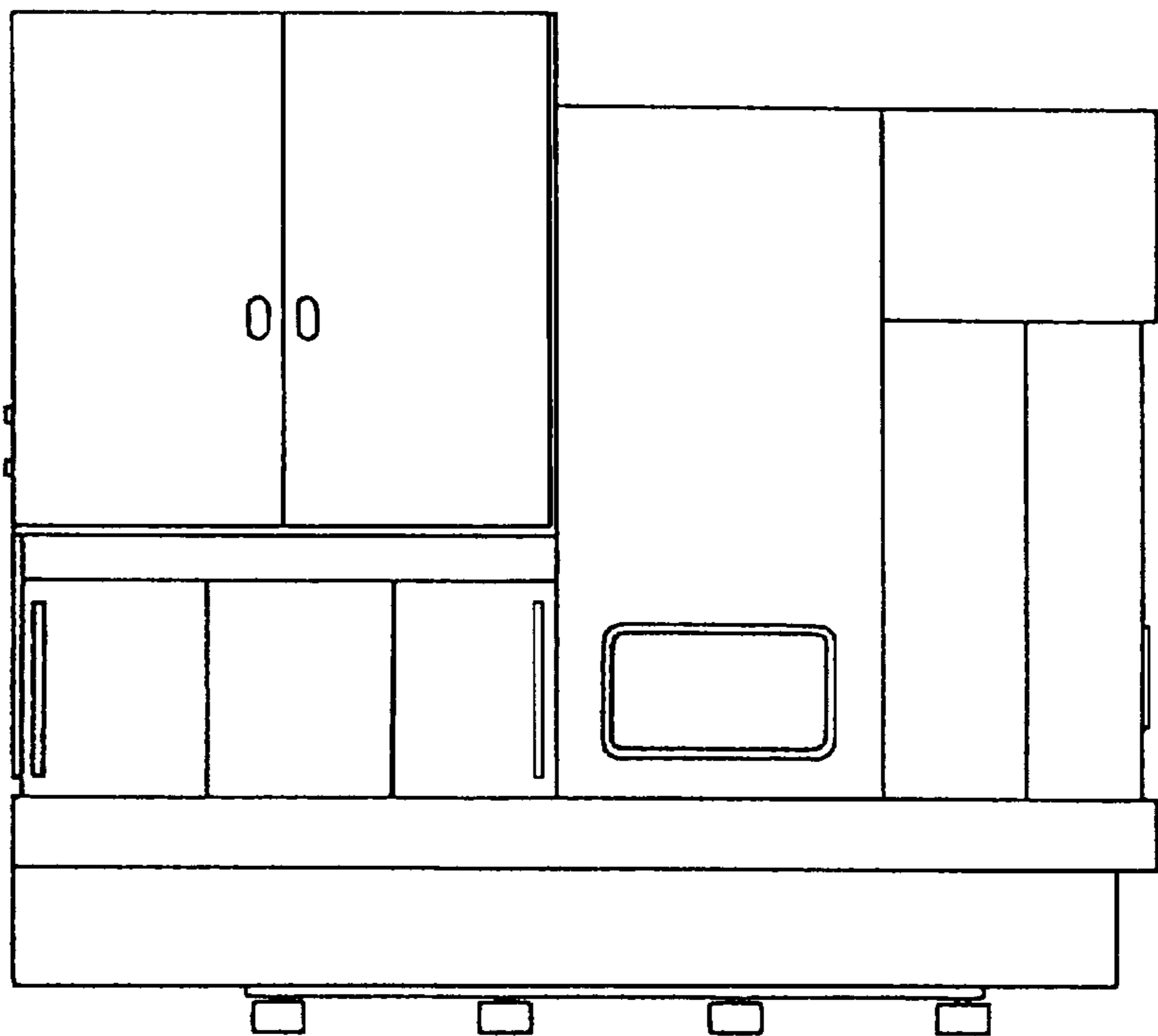


Fig. 6



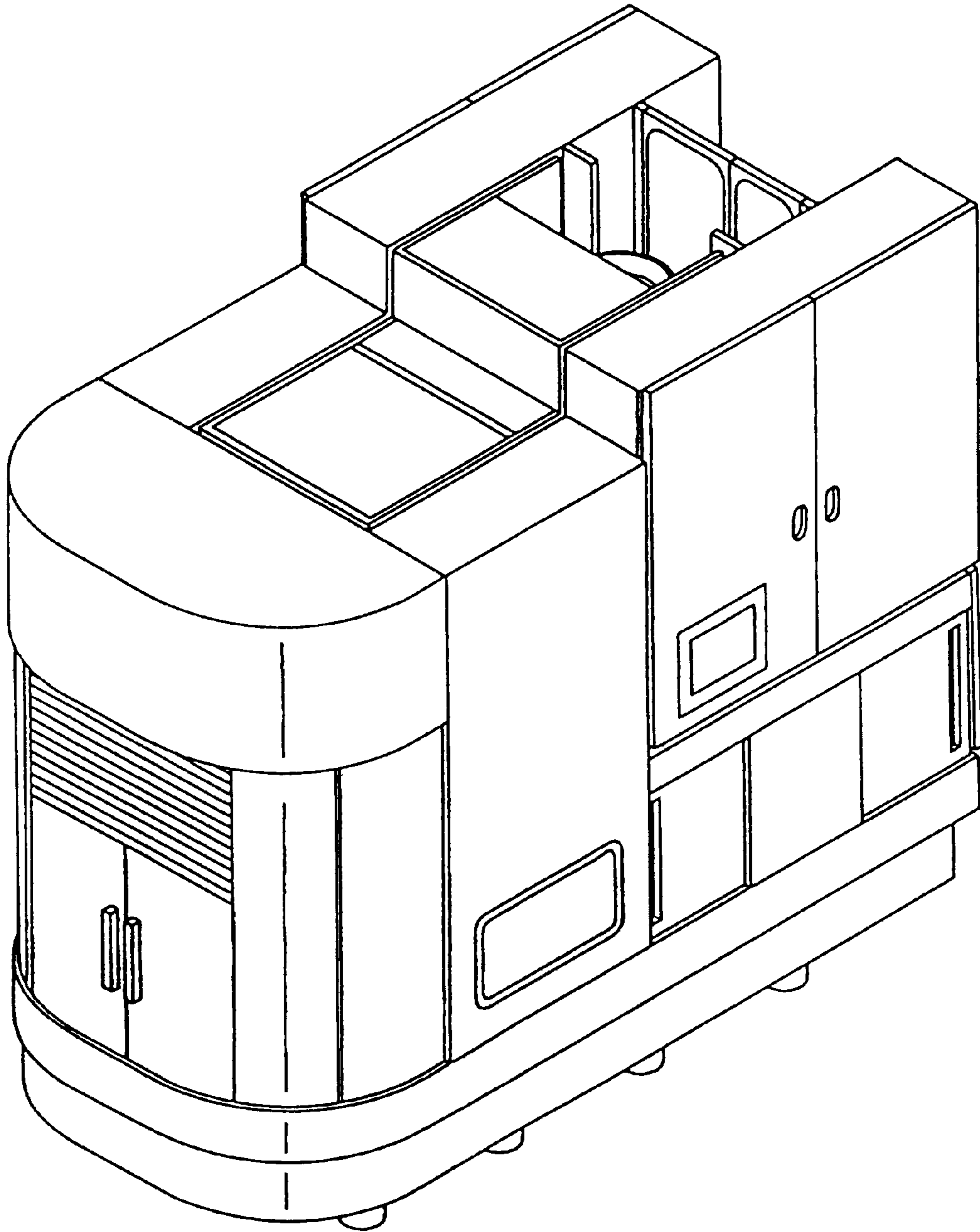


Fig. 7

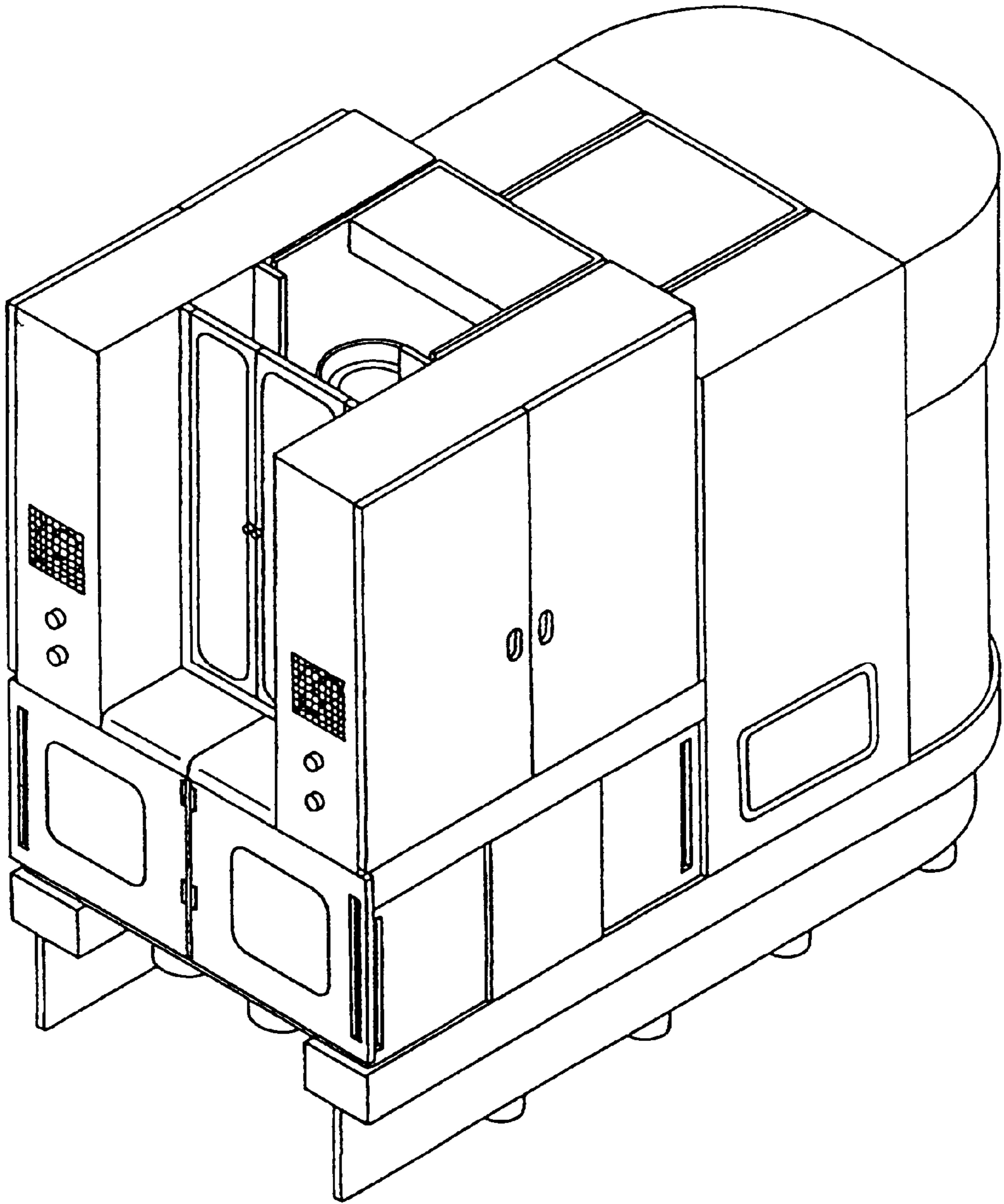


Fig. 8

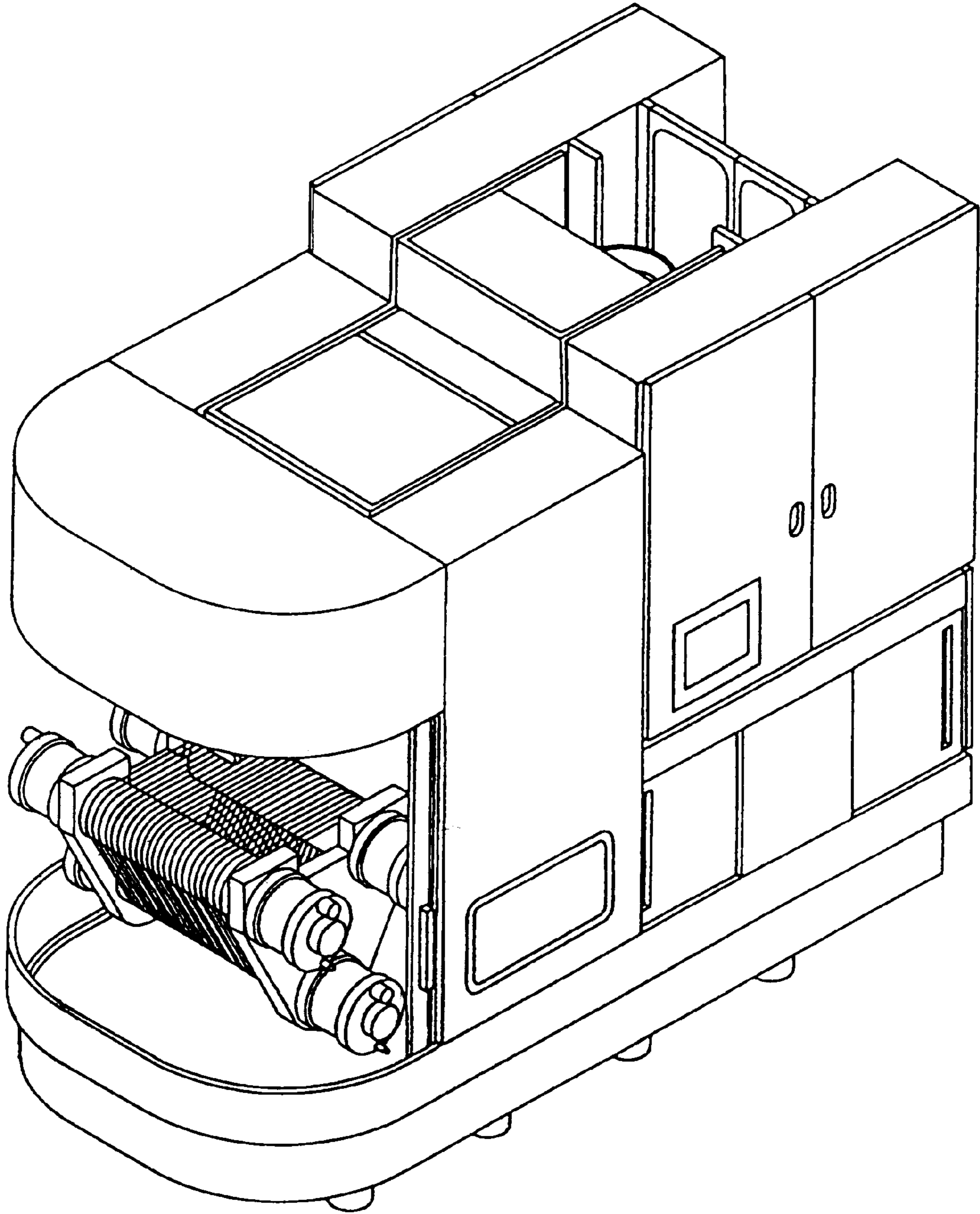


Fig. 9