



US00D409208S

# United States Patent [19]

Eavenson et al.

[11] Patent Number: **Des. 409,208**

[45] Date of Patent: **\*\* May 4, 1999**

[54] **RIDING LAWN MOWER**

[75] Inventors: **Jimmy N. Eavenson**, Wheatfield Dr.;  
**Gerald Hobrath**, Strongsville, both of  
Ohio

[73] Assignee: **Commercial Turf Products, Ltd.**,  
Streetsboro, Ohio

[\*\*] Term: **14 Years**

[21] Appl. No.: **29/081,480**

[22] Filed: **Oct. 5, 1997**

[51] **LOC (6) Cl.** ..... **15-03**

[52] **U.S. Cl.** ..... **D15/15**

[58] **Field of Search** ..... D15/10, 14-17;  
56/13.3, 13.4, 15.8, 15.9, 16.1, 16.9, 17.4,  
202, 255, 294, 320.1, 320.2

[56] **References Cited**

### U.S. PATENT DOCUMENTS

D. 249,267 9/1978 Brackin et al. .... D15/15

D. 359,740 6/1995 Crosby et al. .... D15/15  
D. 380,761 7/1997 Saylor ..... D15/15  
5,517,809 5/1996 Rich ..... D15/14

*Primary Examiner*—Sandra L. Morris  
*Attorney, Agent, or Firm*—Emerson & Associates; Roger D.  
Emerson; John M. Skeriotis

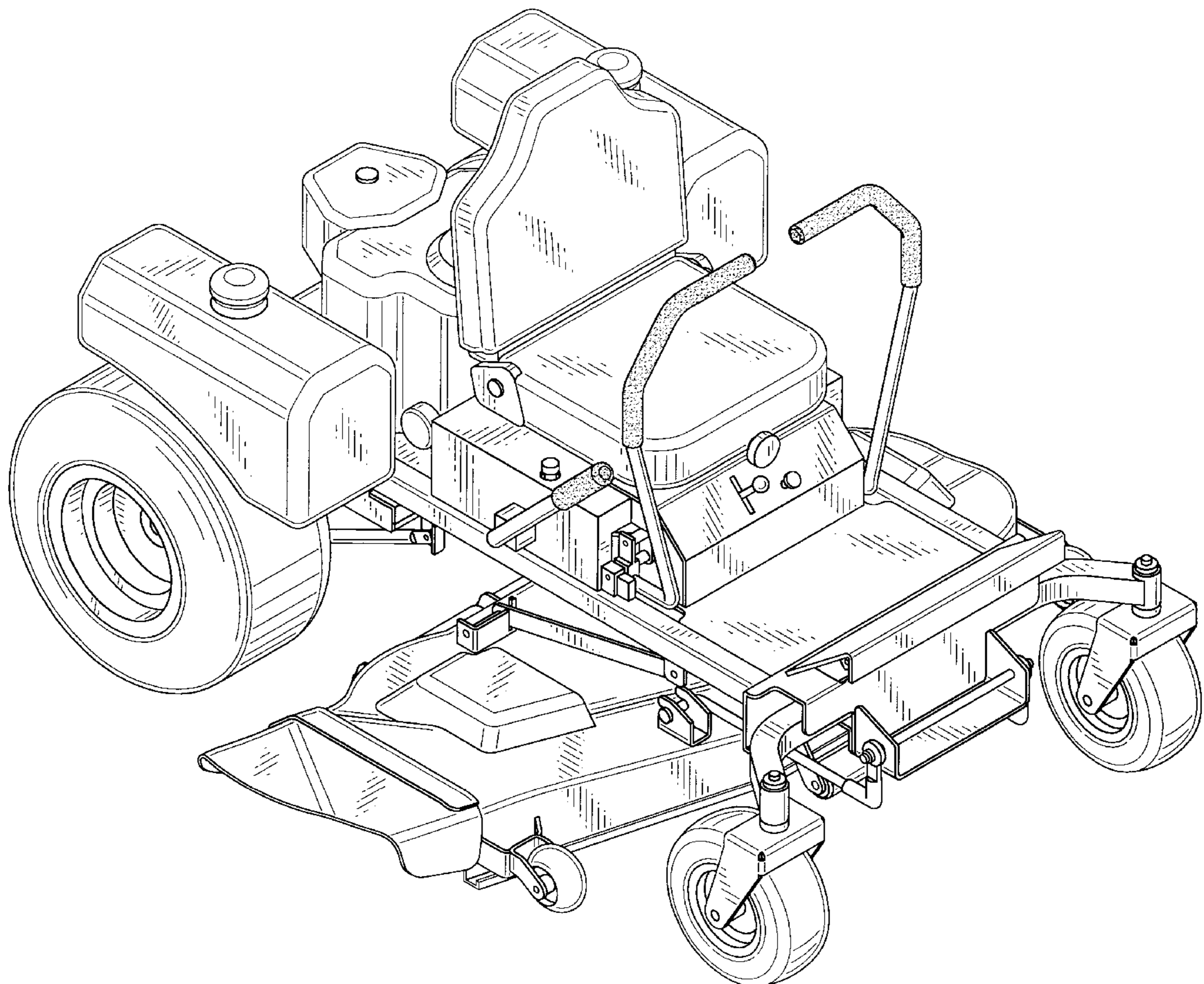
### [57] CLAIM

The ornamental design for a riding lawn mower, as shown.

### DESCRIPTION

FIG. 1 is a perspective view of a riding lawn mower;  
FIG. 2 is a front end view of a riding lawn mower;  
FIG. 3 is a rear end view of a riding lawn mower;  
FIG. 4 is a top view of a riding lawn mower;  
FIG. 5 is a right side view of a riding lawn mower; and,  
FIG. 6 is a left side view of a riding lawn mower.

**1 Claim, 6 Drawing Sheets**



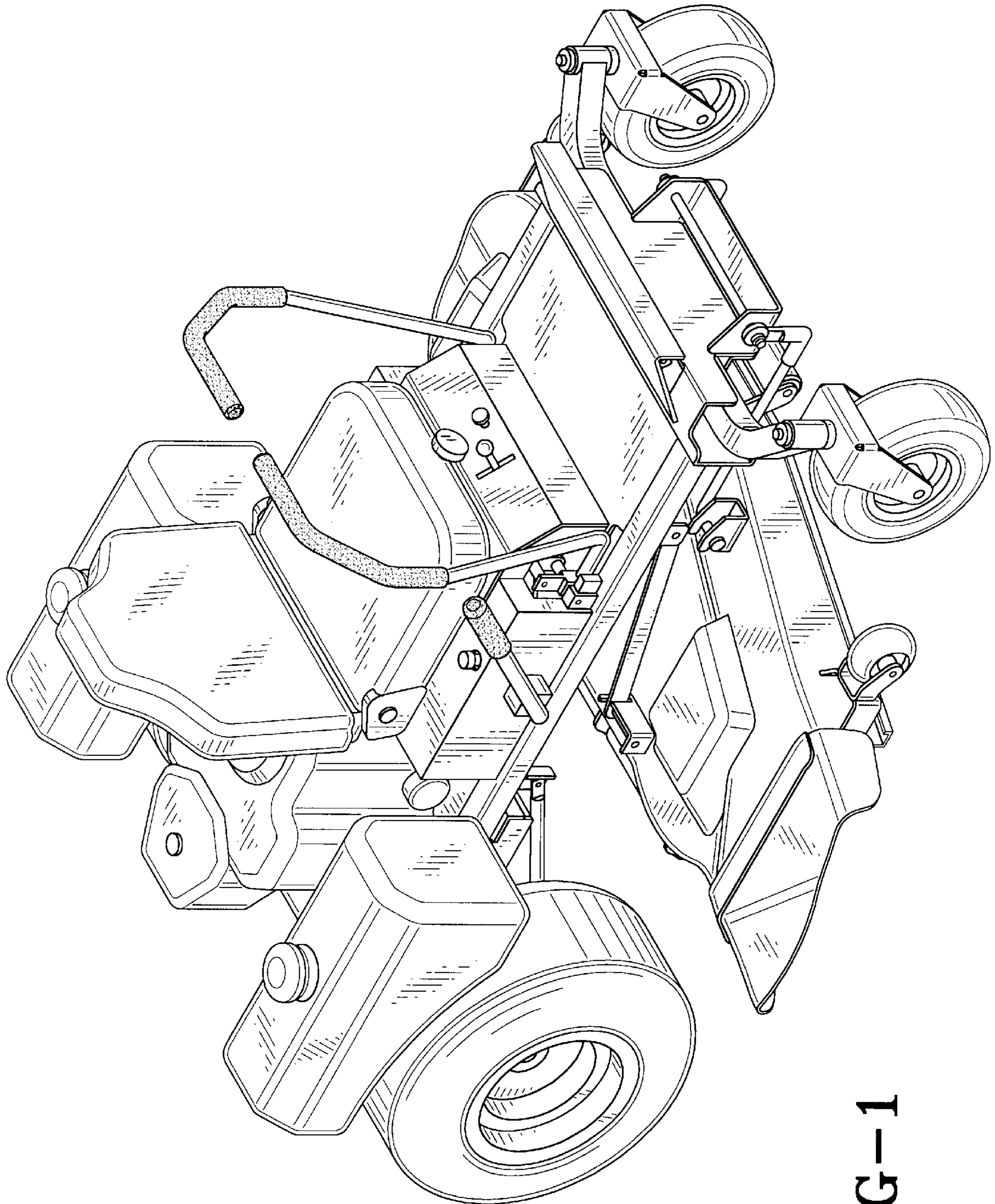


FIG-1

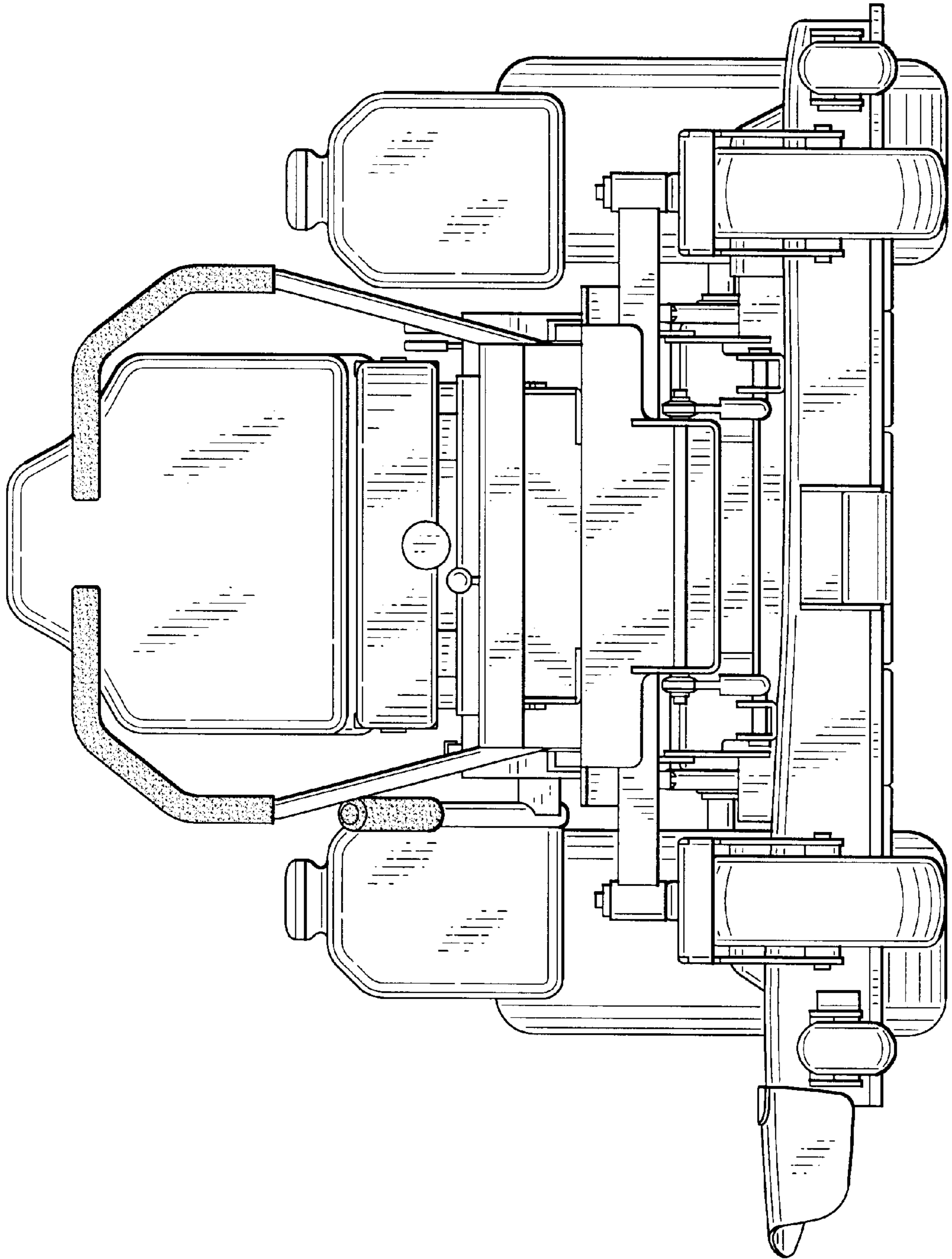


FIG-2

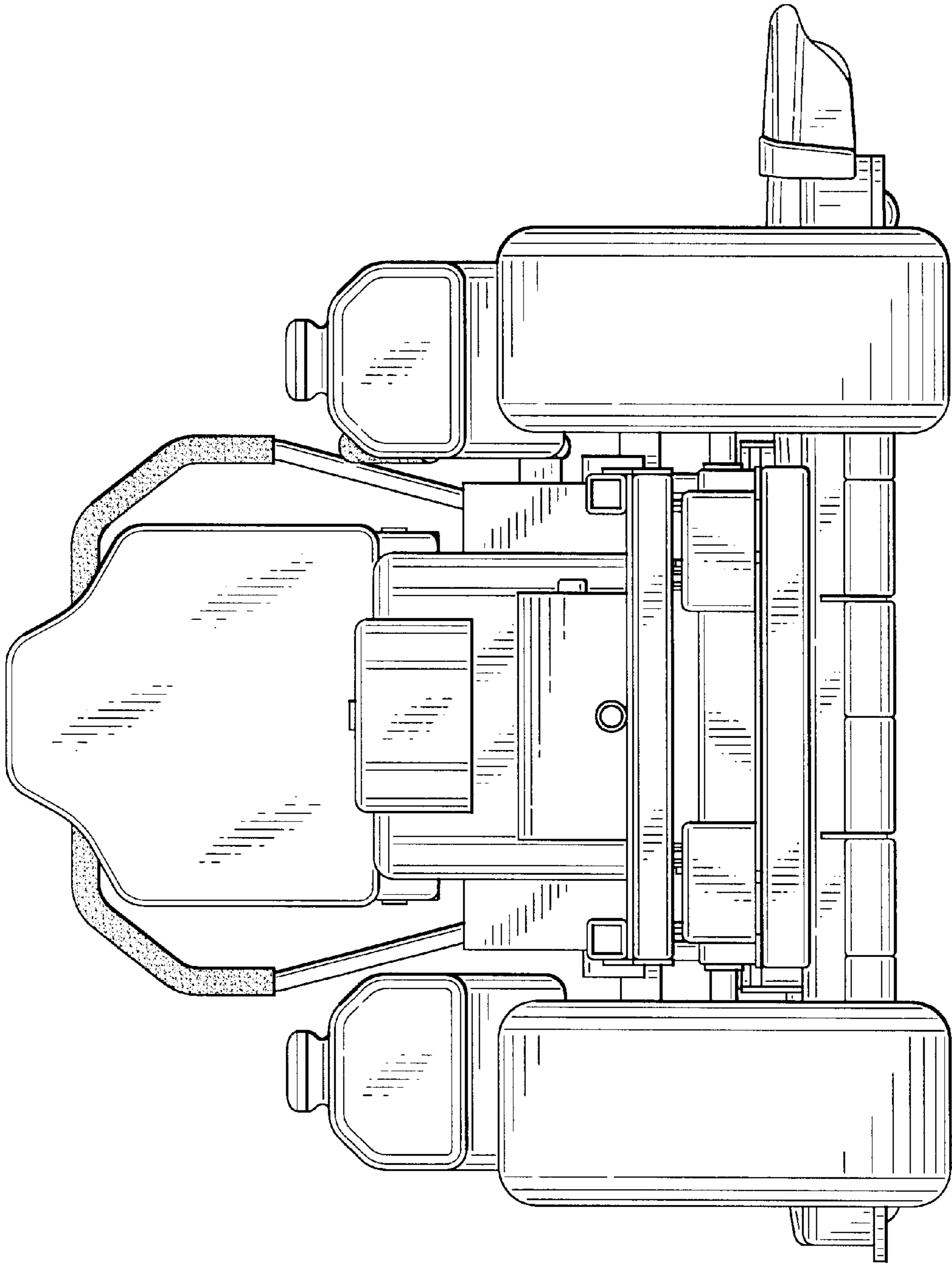


FIG-3

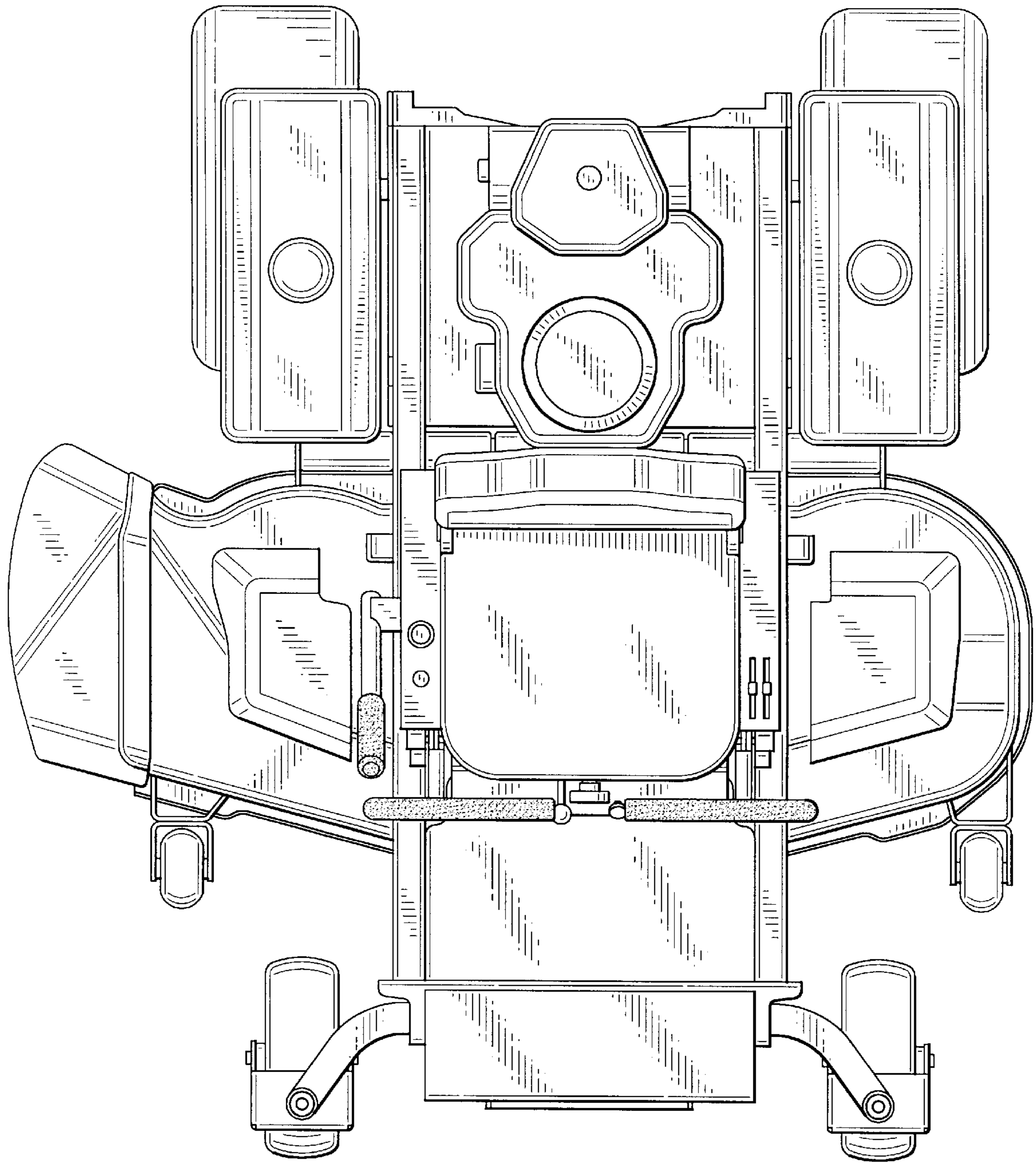


FIG-4

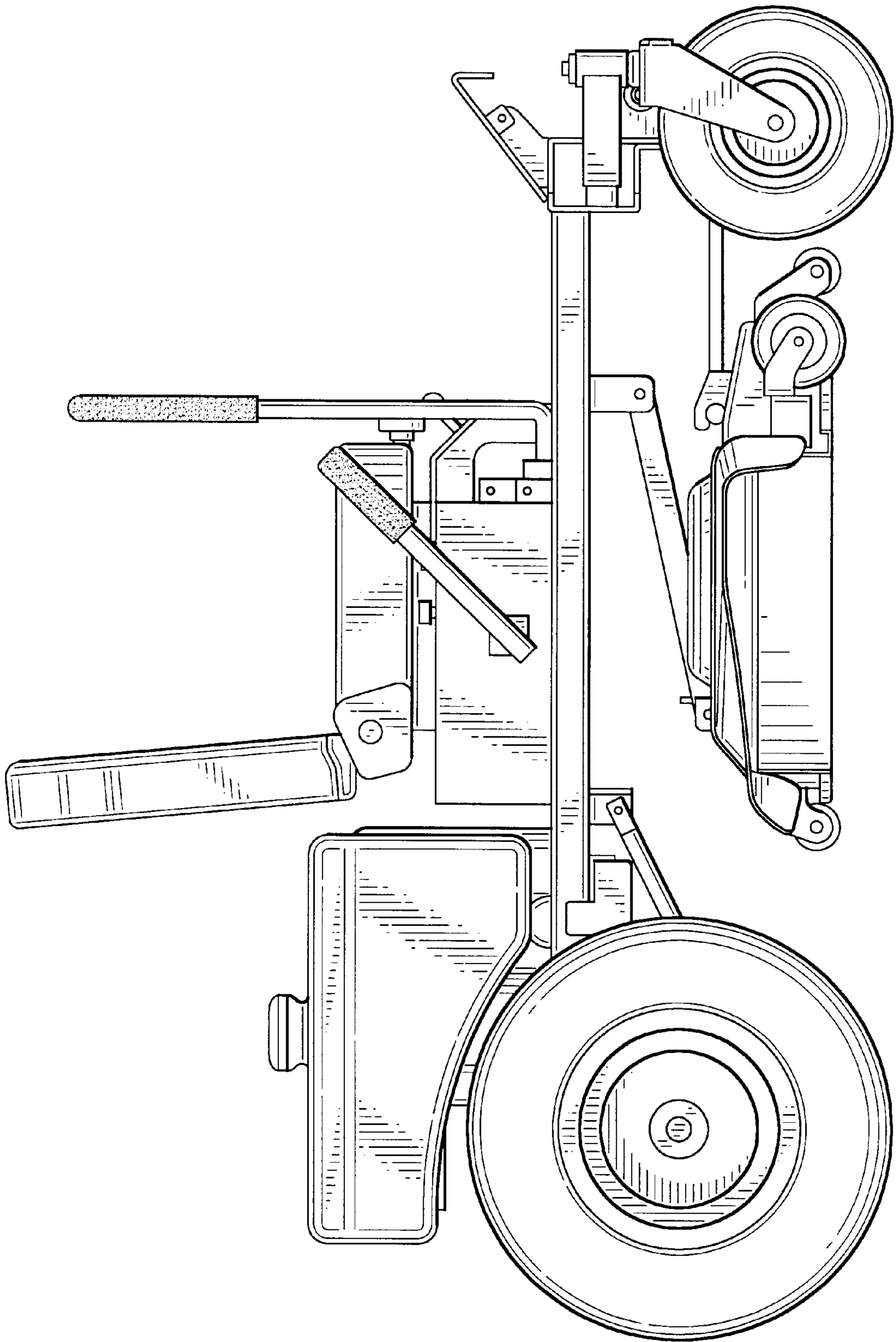


FIG-5

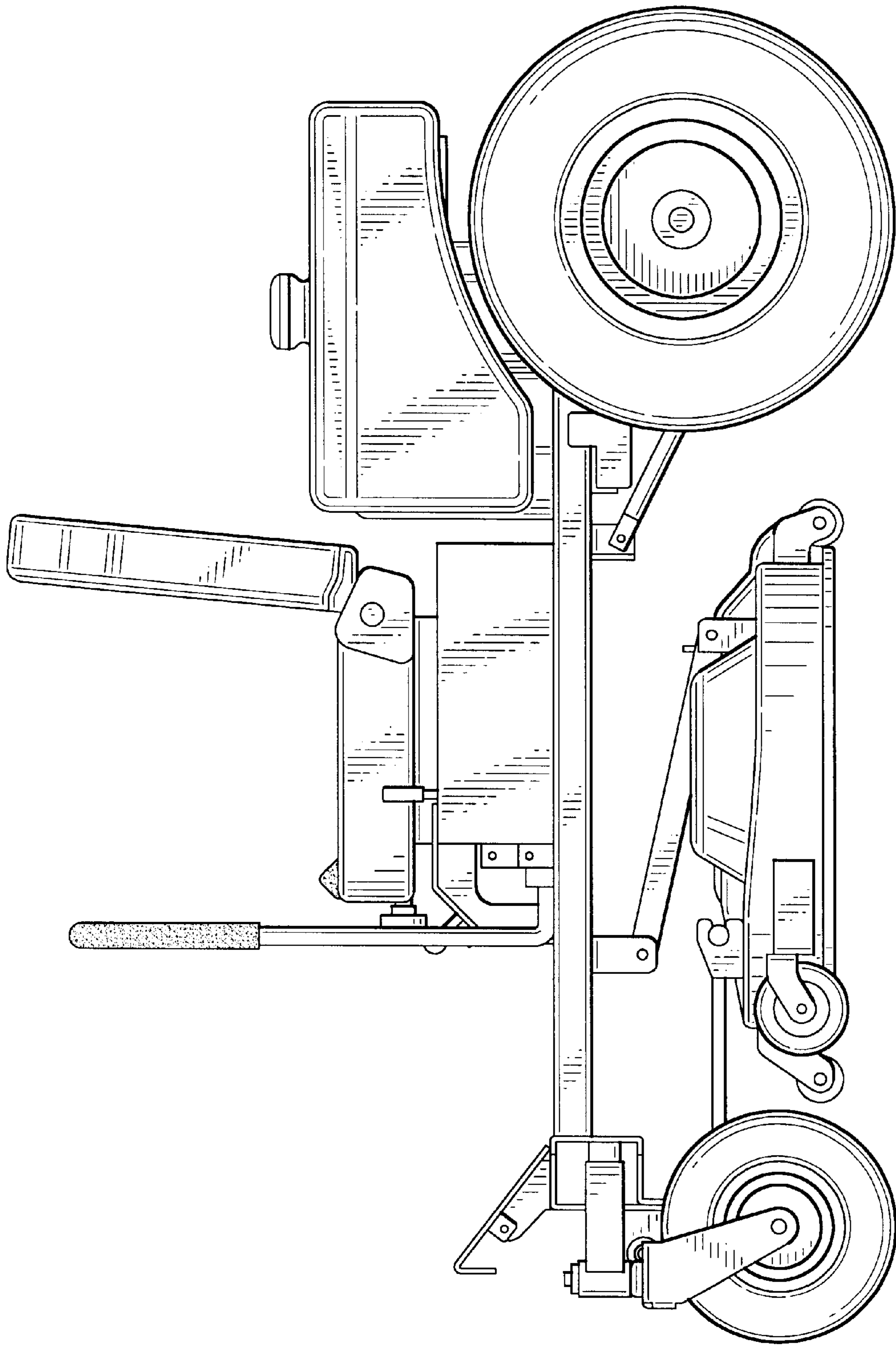


FIG-6