



US00D409207S

United States Patent [19]

[11] Patent Number: Des. 409,207

Alvern et al.

[45] Date of Patent: ** May 4, 1999

[54] **MULTIPURPOSE UTILITY STATION FOR USE AT E.G. A PETROL STATION, PROVIDING E.G. SUPPLIES OF AIR, OIL, SCREEN WASHER FLUID, COOLANT AS WELL AS WASHING FACILITIES**

[75] Inventors: **Stein Alvern**, Oslo; **Øyvind Alvern**, Hjeltestad, both of Norway

[73] Assignee: **Alvern-Norway A/S**, Norway

[**] Term: **14 Years**

[21] Appl. No.: **29/061,103**

[22] Filed: **Oct. 16, 1996**

[30] **Foreign Application Priority Data**

Apr. 24, 1996 [NO] Norway D960273

[51] **LOC (6) Cl.** **15-02**

[52] **U.S. Cl.** **D15/9.1; D15/151**

[58] **Field of Search** D15/9.1, 151, D15/199; D25/3; D32/1, 4, 5; 4/630, 638; 52/66; 137/234.6, 357, 1, 355.26; 186/36, 53, 55; 222/383.1, 29, 71, 74; 235/61.7, 381, 380; 312/228; 340/147 A, 825.35; 364/479.05, 479.07

[56] **References Cited**

U.S. PATENT DOCUMENTS

- D. 342,525 12/1993 Bloemen et al. D15/9.1
- 3,931,497 1/1976 Gentile et al. .
- 4,199,100 4/1980 Wostl et al. .
- 4,395,626 7/1983 Barker et al. .
- 4,395,627 7/1983 Barker et al. .

- 4,805,738 2/1989 Vayda .
- 4,901,748 2/1990 Shotmeyer .
- 5,114,050 5/1992 Morris .
- 5,257,423 11/1993 Jacobsen et al. .
- 5,340,969 8/1994 Cox .
- 5,349,980 9/1994 Spiegel .
- 5,490,612 2/1996 Coquerel et al. .
- 5,526,964 6/1996 Moore et al. .
- 5,535,130 7/1996 Long .
- 5,625,562 4/1997 Veeneman .

Primary Examiner—Antoine Duval Davis
Attorney, Agent, or Firm—Finnegan, Henderson, Farabow, Garrett & Dunner, L.L.P.

[57] **CLAIM**

We claim the ornamental design for a multipurpose utility station for use at e.g. a petrol station, providing e.g. supplies of air, oil, screen washer fluid, coolant as well as washing facilities, as shown and described.

DESCRIPTION

FIG. 1 is a front perspective view from above and one side of the multipurpose utility station embodying my new ornamental design.

FIG. 2 is front perspective view from above and one side in an alternative position of the multipurpose utility station.

FIG. 3 is front perspective view from above and other side of the multipurpose utility station.

FIG. 4 is front perspective view from above and other side in the alternative position of the multipurpose utility station.

FIG. 5 is rear perspective view from above and one side of the multipurpose utility station. and,

FIG. 6 is rear perspective view from above and other side of the multipurpose utility station.

1 Claim, 3 Drawing Sheets

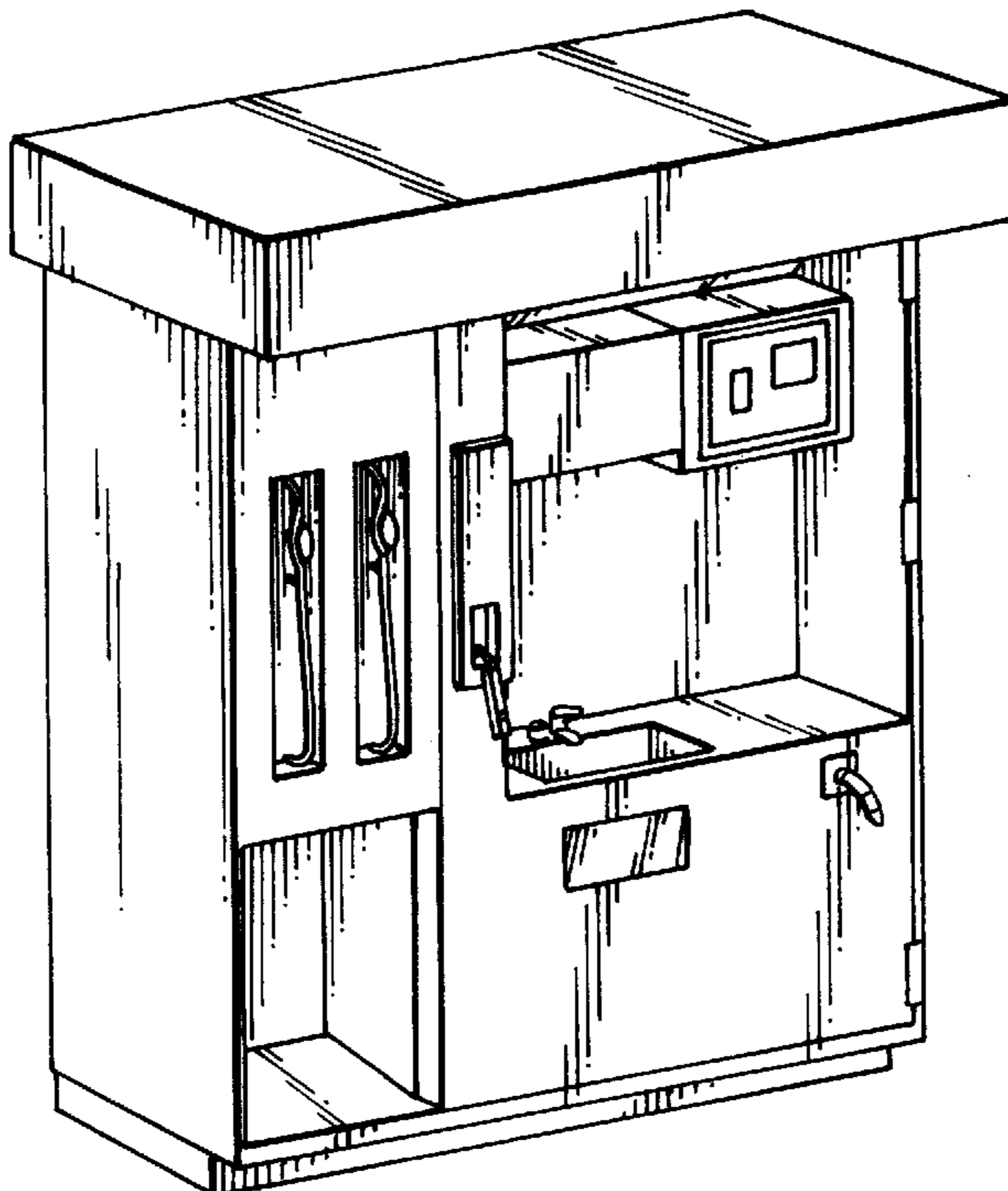


Fig.1.

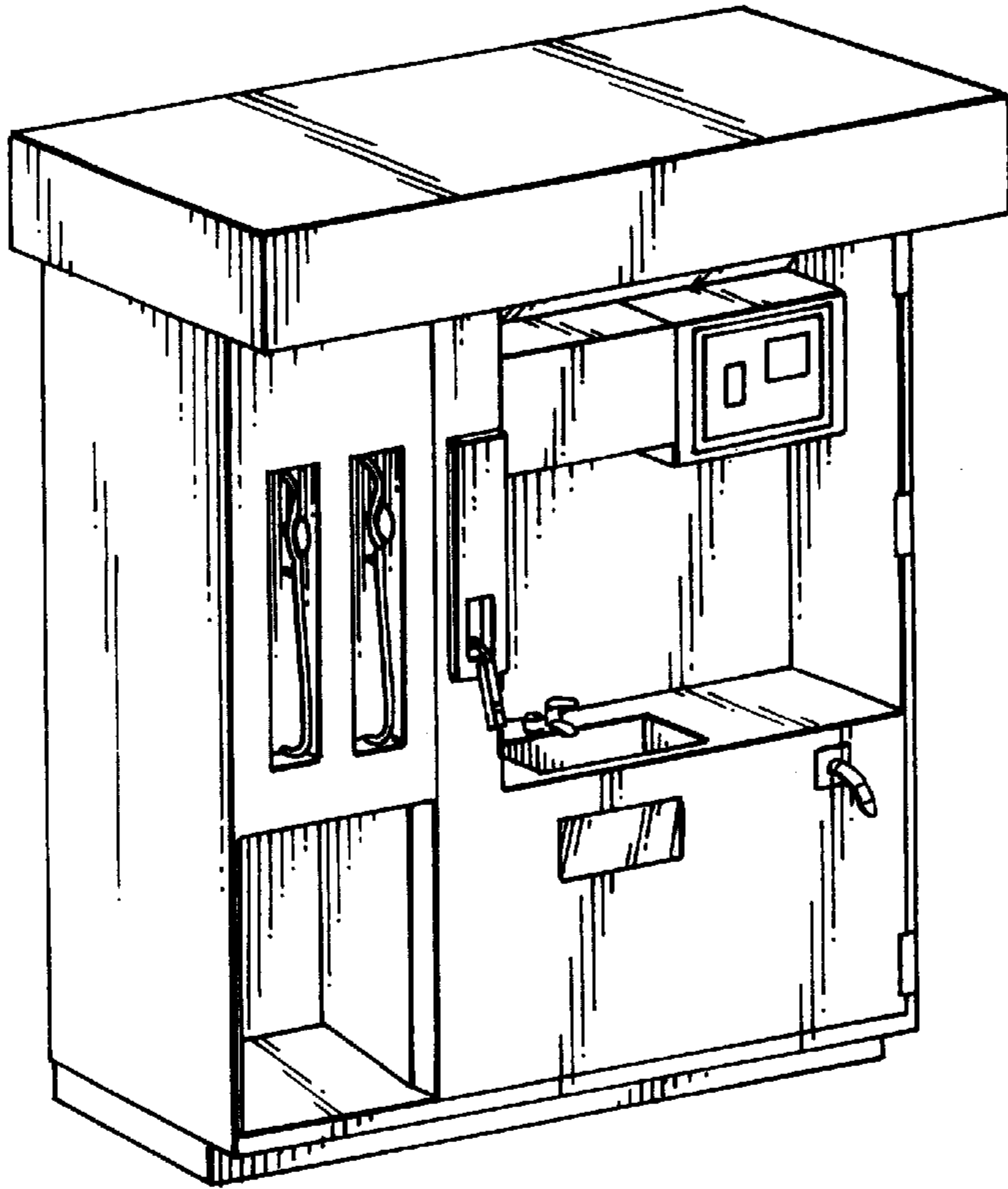


Fig.2.

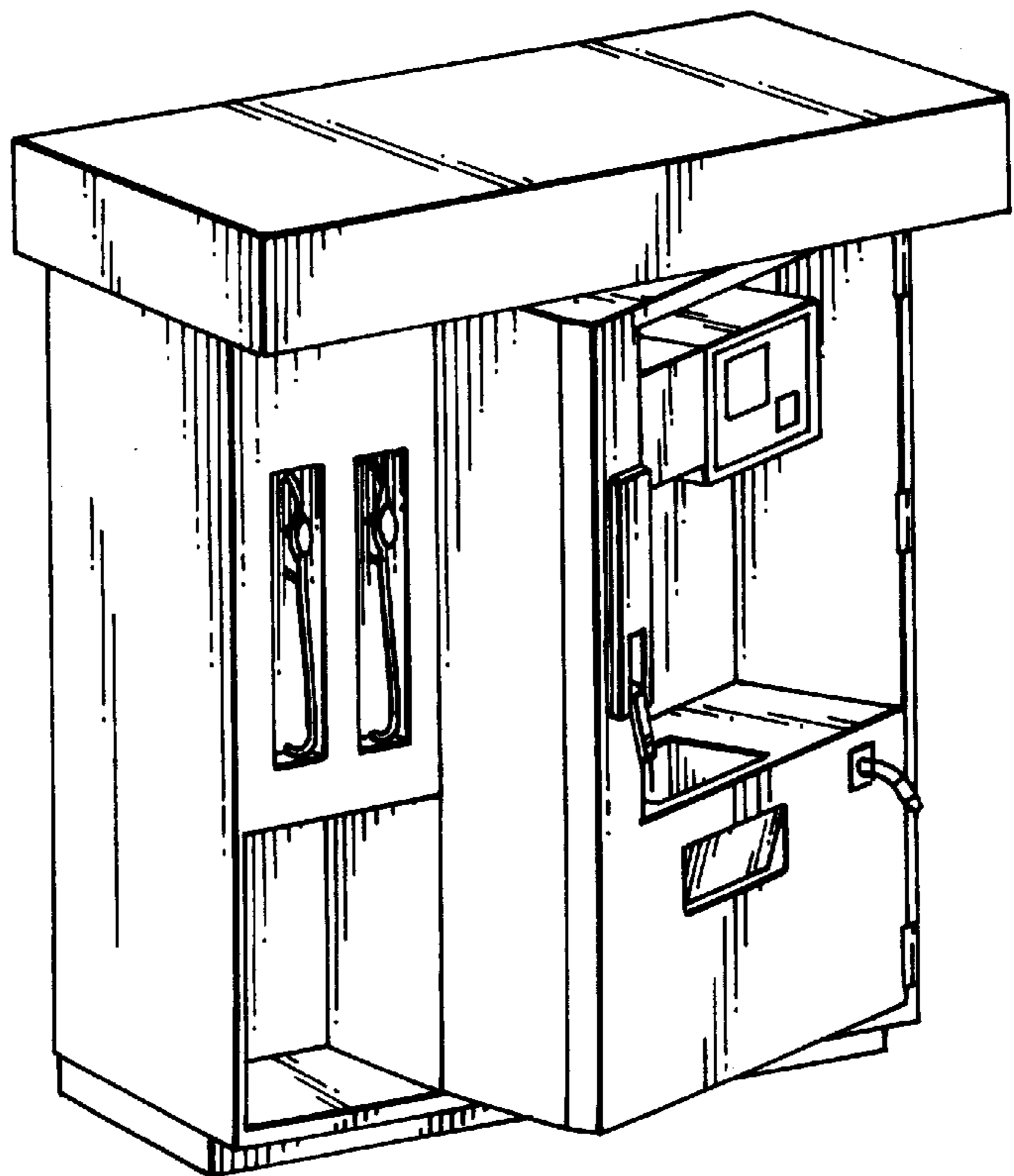


Fig.3.

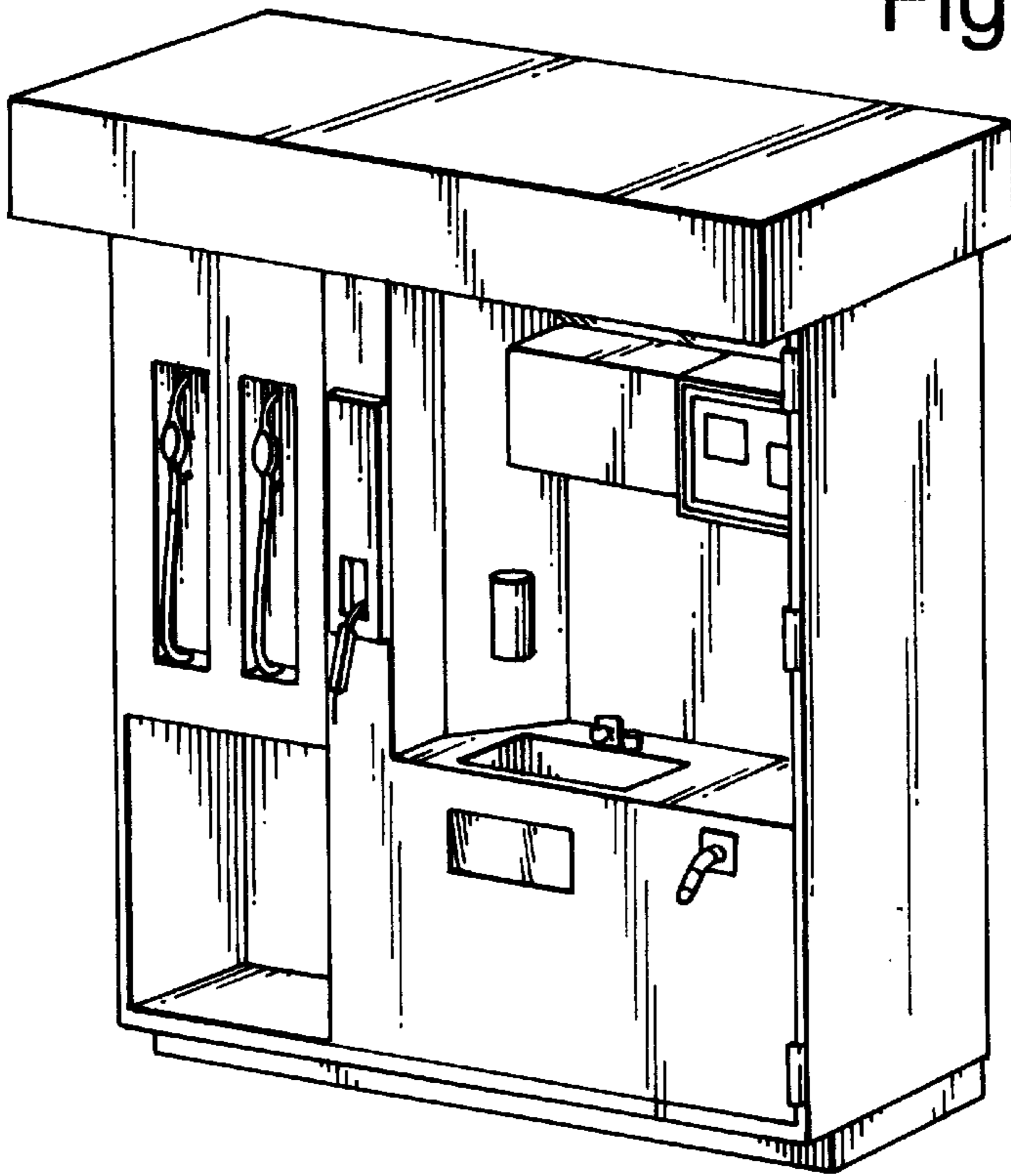


Fig.4.

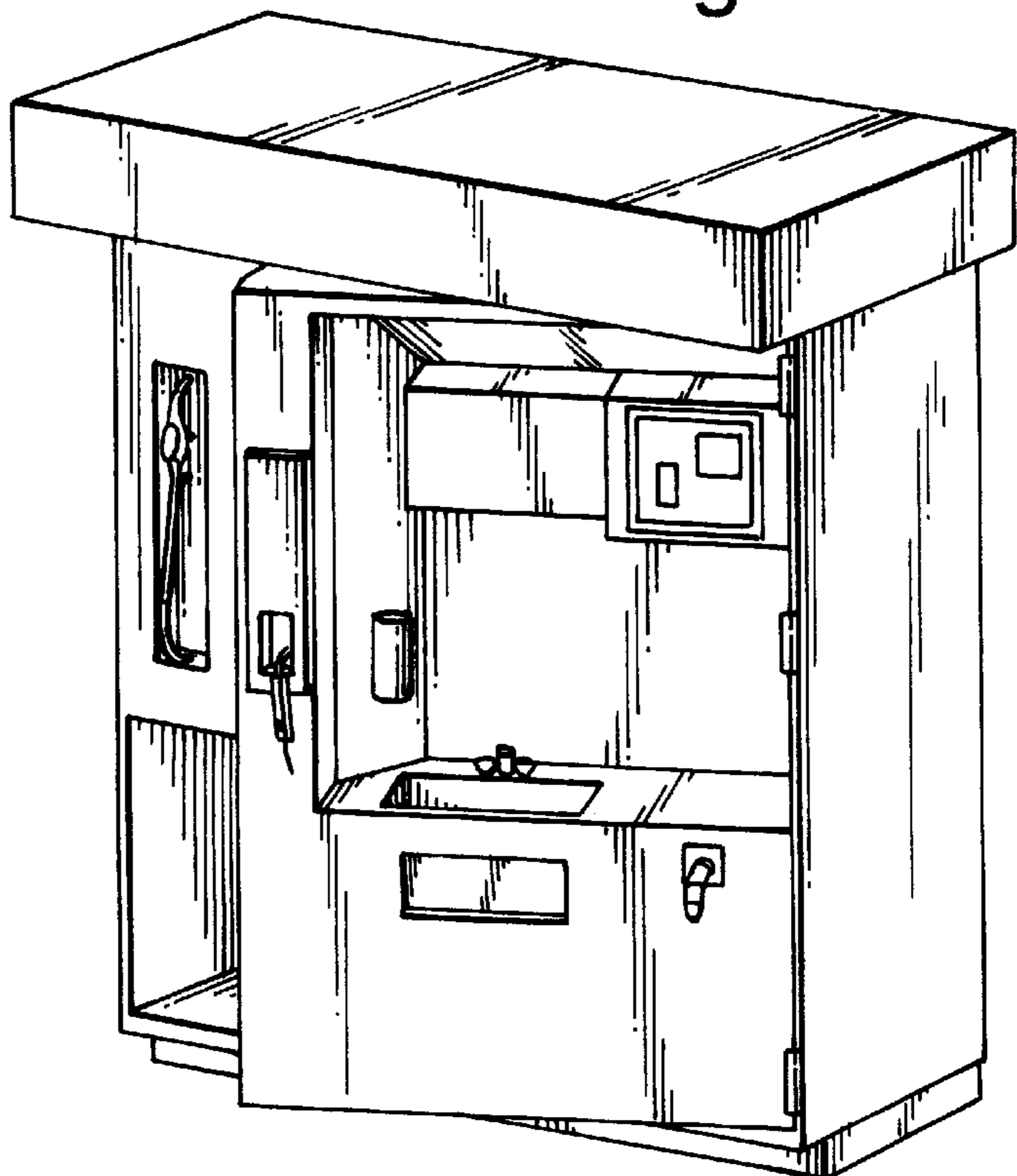


Fig.5.

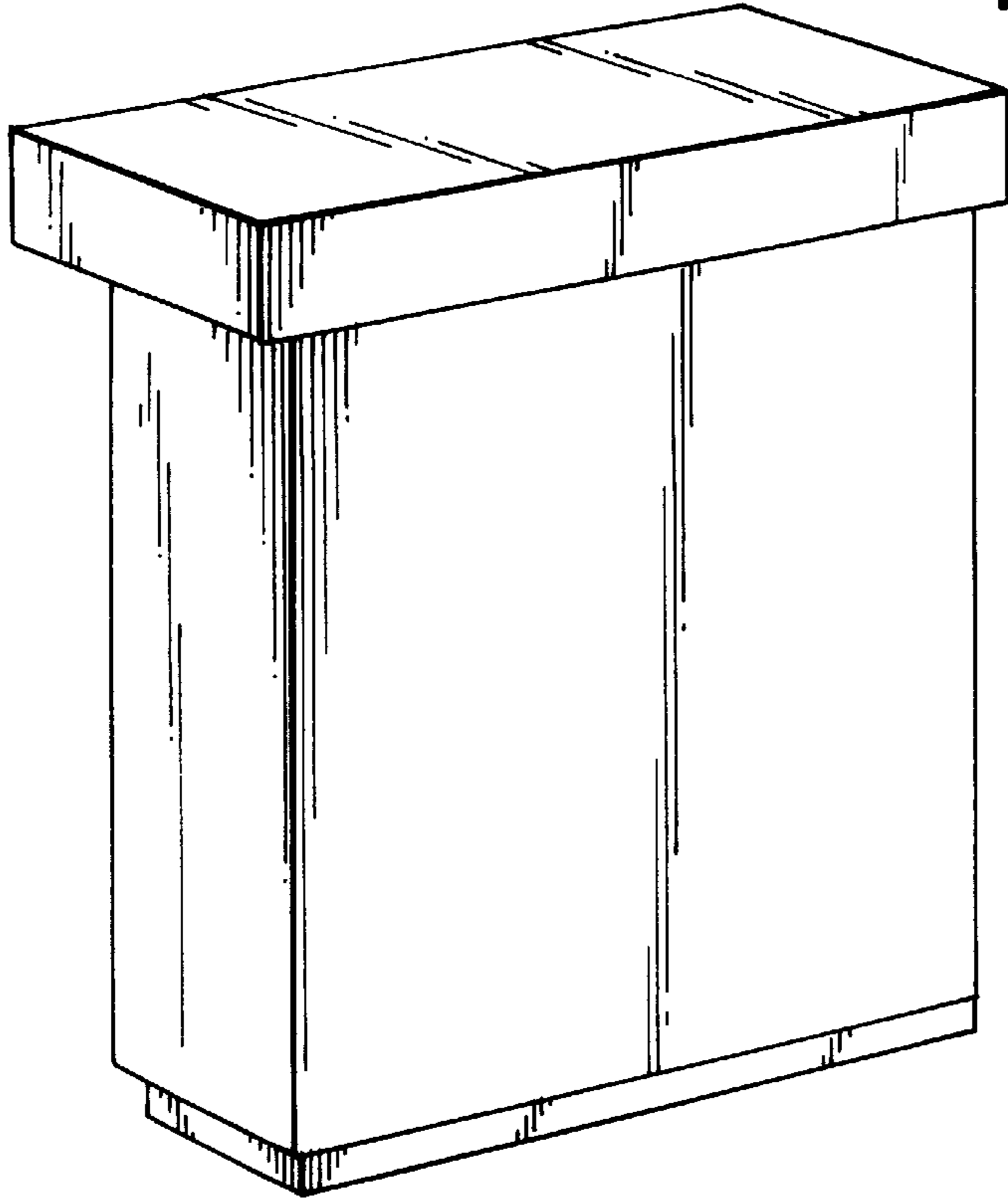


Fig.6.

