



US00D409206S

United States Patent [19] Wang

[11] Patent Number: Des. 409,206

[45] Date of Patent: ** May 4, 1999

[54] AIR COMPRESSOR

[75] Inventor: **Min-Hsieng Wang**, Tainan Hsien,
Taiwan

[73] Assignee: **Coido Corporation**, Tainan Hsien,
Taiwan

[**] Term: **14 Years**

[21] Appl. No.: **29/092,047**

[22] Filed: **Aug. 11, 1998**

[51] LOC (6) Cl. **15-02**

[52] U.S. Cl. **D15/9**

[58] Field of Search D15/7-9.1; D26/38;
417/415, 234, 410-411; D24/8

[56] **References Cited**

U.S. PATENT DOCUMENTS

D. 355,918 2/1995 Wang D15/9

D. 374,237 10/1996 Wang D15/9
D. 375,505 11/1996 Wong D15/9
D. 390,574 2/1998 Ashcraft D15/9

Primary Examiner—Ralf Seifert
Attorney, Agent, or Firm—Varndell Legal Group

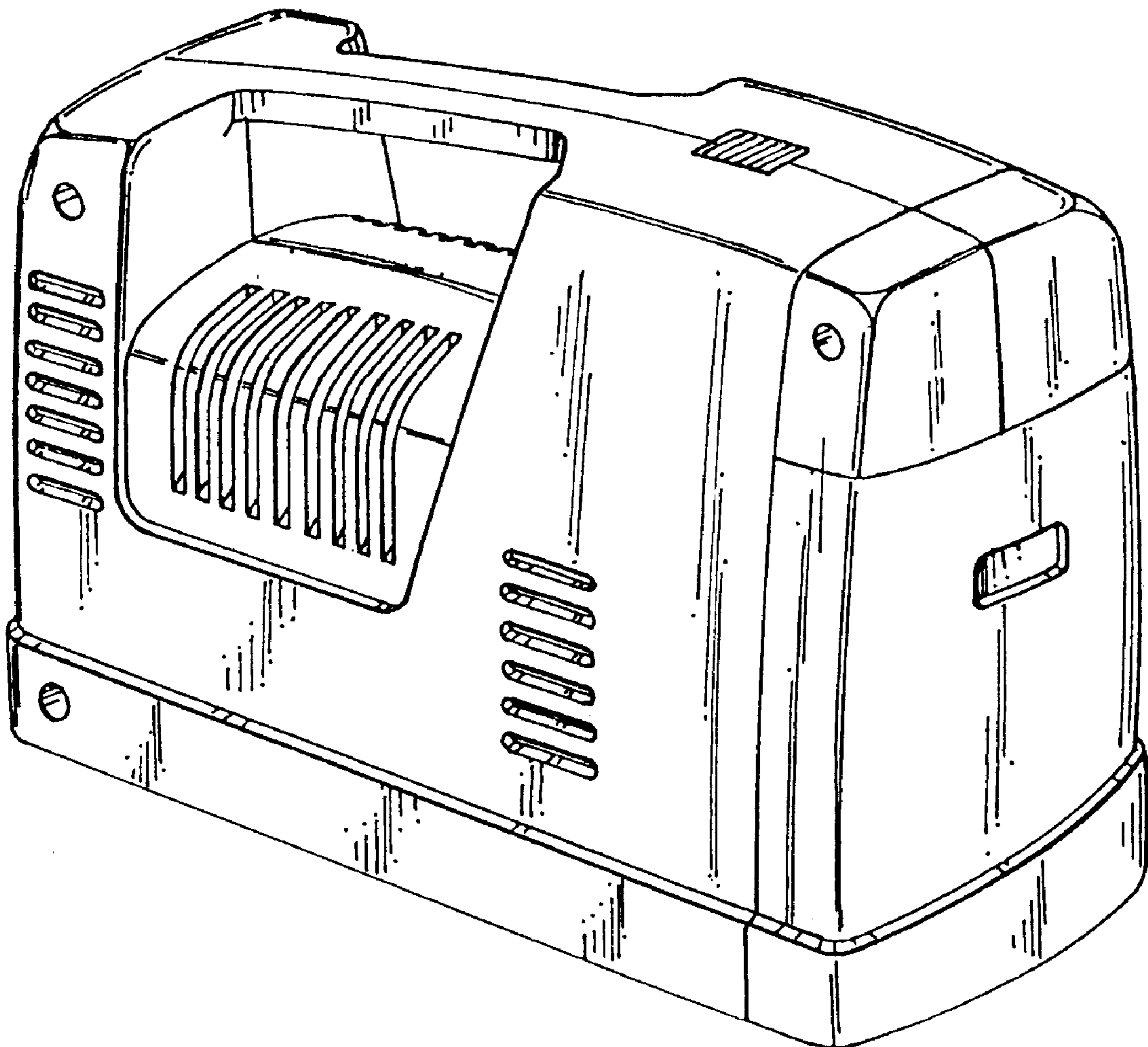
[57] **CLAIM**

The ornamental design for air compressor, as shown and described.

DESCRIPTION

FIG. 1 is a perspective view of a air compressor showing our new design thereof;
FIG. 2 is a front side elevational view thereof;
FIG. 3 is a rear side elevational view thereof;
FIG. 4 is a left side elevational view thereof;
FIG. 5 is a right side elevational view thereof;
FIG. 6 is a top plan view thereof; and,
FIG. 7 is a bottom plan view thereof.

1 Claim, 3 Drawing Sheets



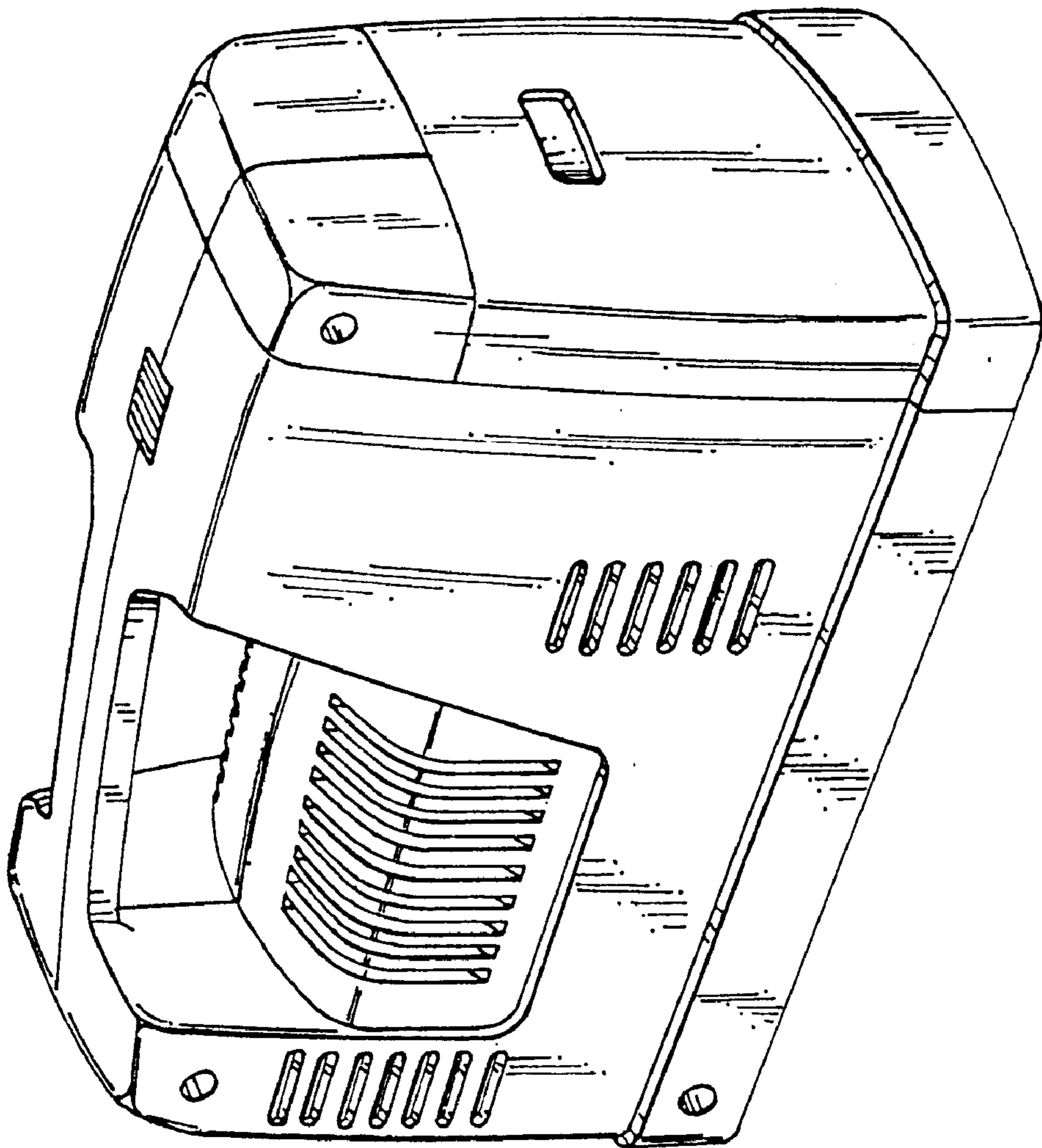


FIG. 1

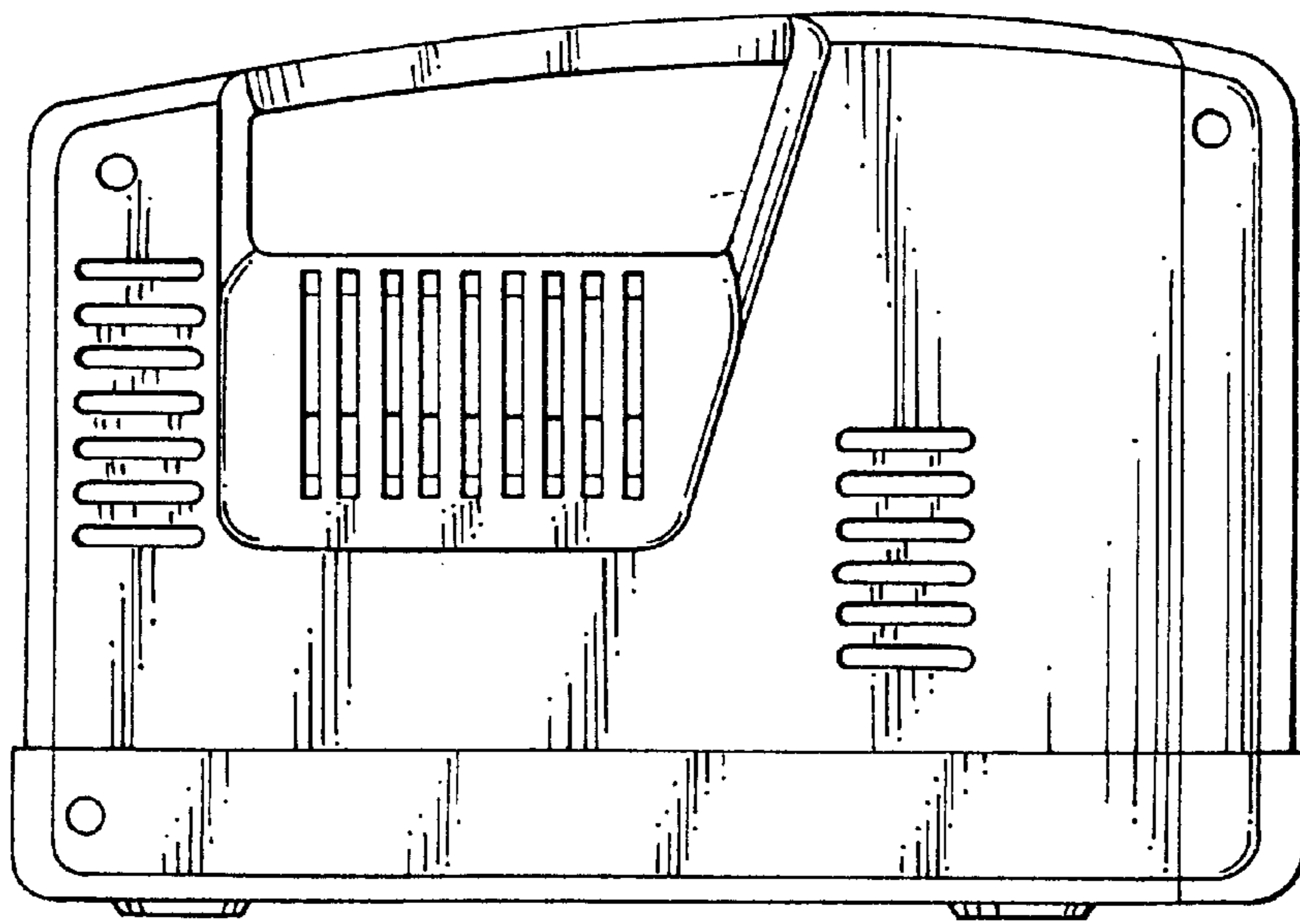


FIG. 2

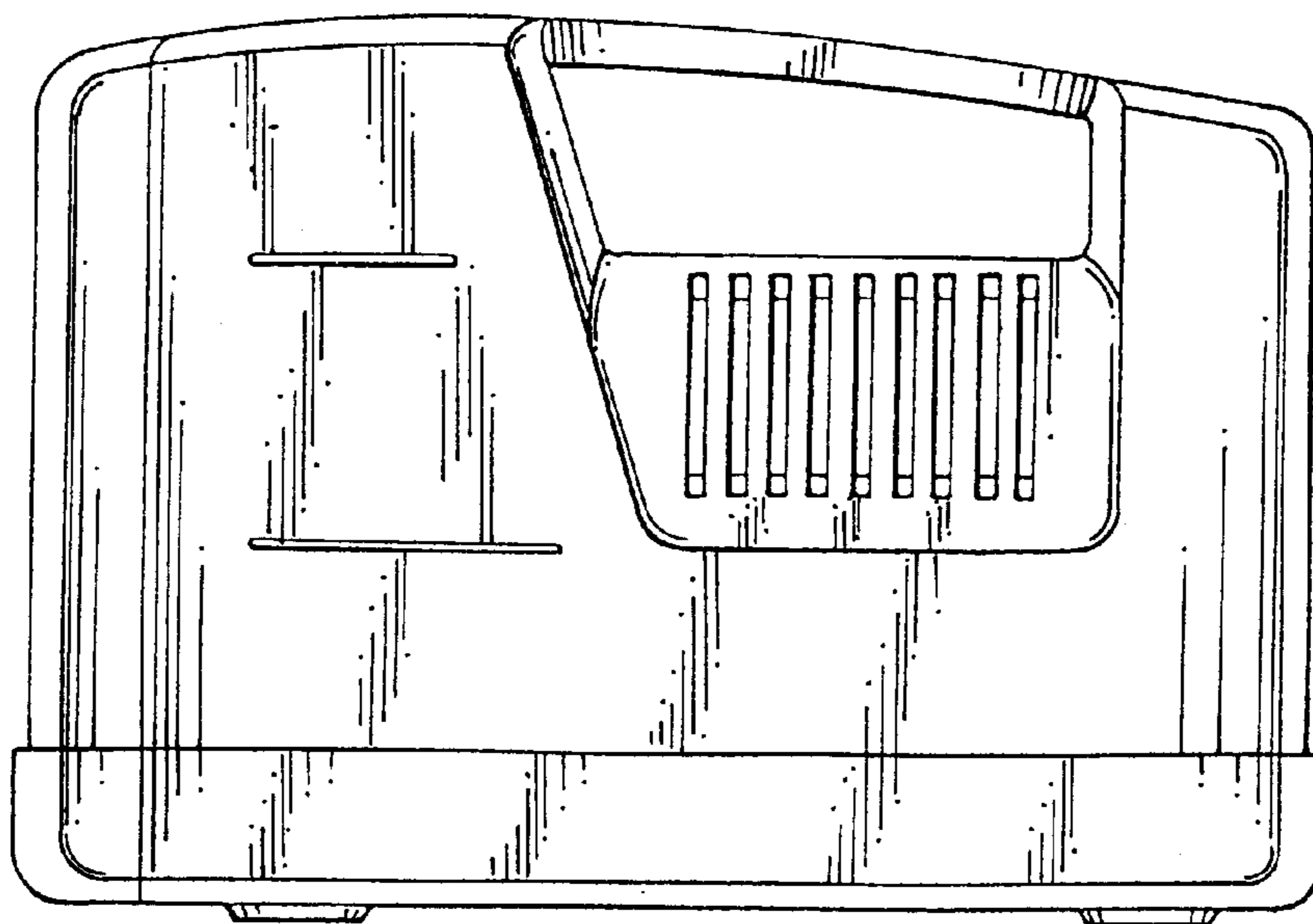


FIG. 3

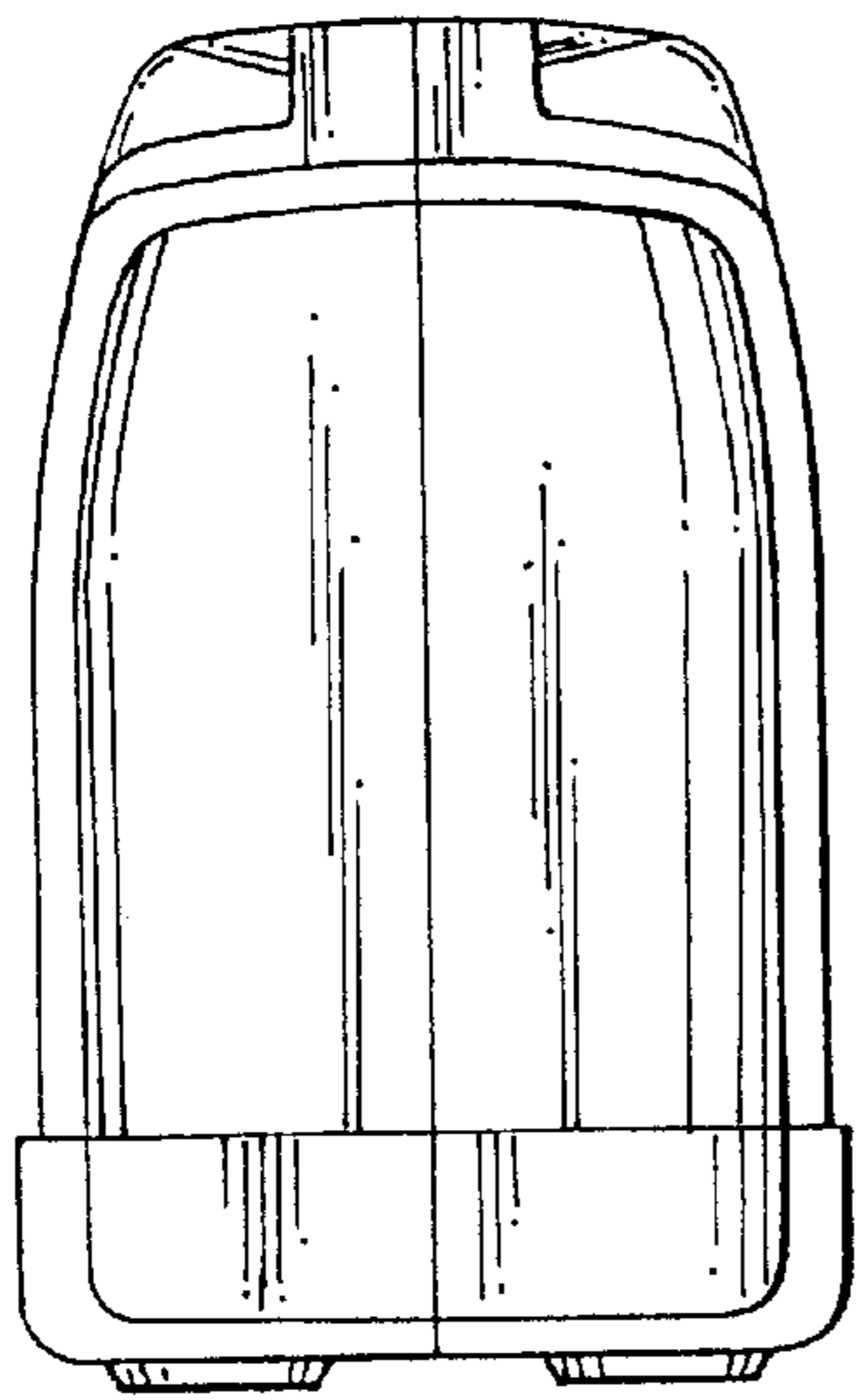


FIG. 4

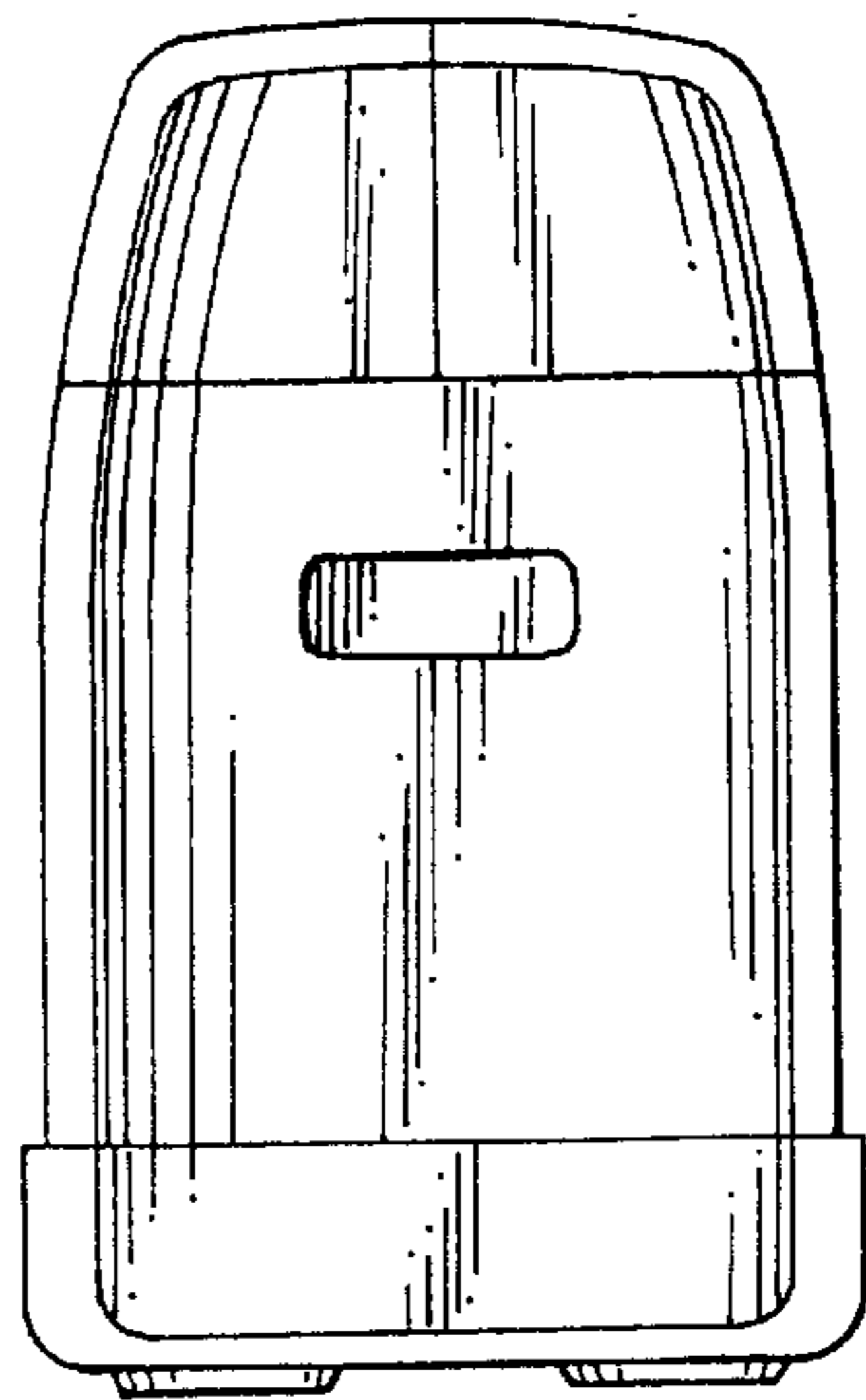


FIG. 5

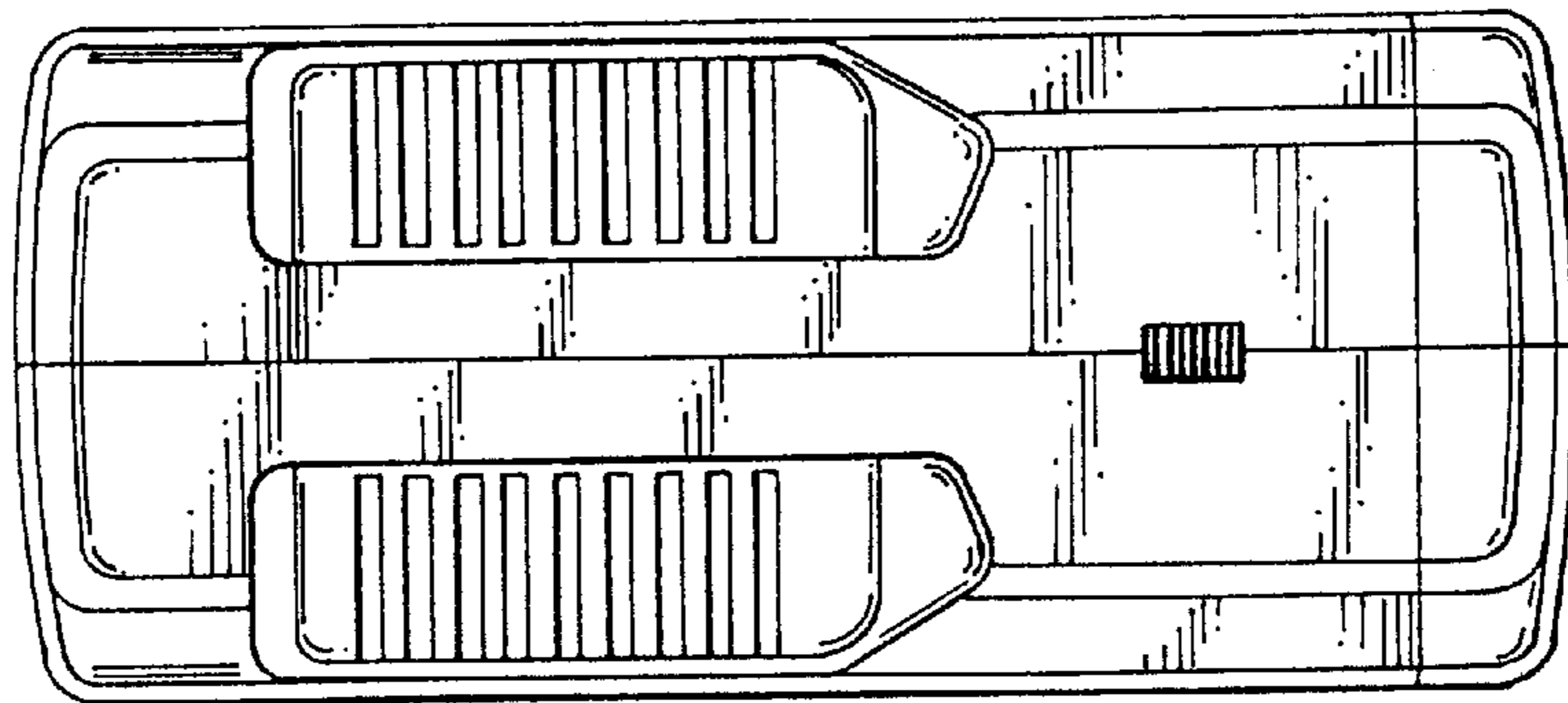


FIG. 6

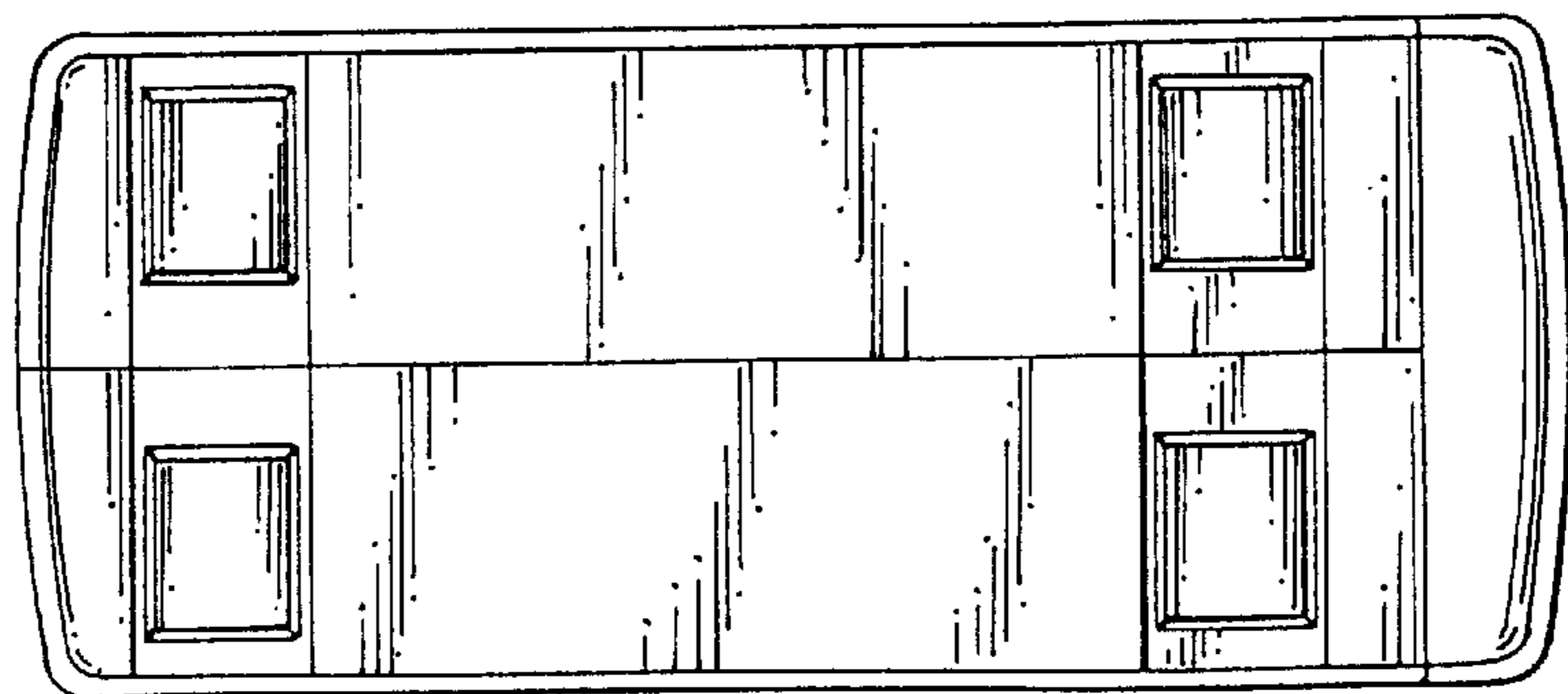


FIG. 7