



US00D409203S

United States Patent [19] Morimiya

[11] Patent Number: **Des. 409,203**

[45] Date of Patent: **** May 4, 1999**

[54] **MODEM**

[75] Inventor: **Yuji Morimiya**, Tokyo, Japan

[73] Assignee: **Sony Corporation**, Tokyo, Japan

[**] Term: **14 Years**

[21] Appl. No.: **29/084,458**

[22] Filed: **Mar. 4, 1998**

[30] Foreign Application Priority Data

Sep. 5, 1997 [JP] Japan 9-66954

[51] **LOC (6) Cl.** **14-03**

[52] **U.S. Cl.** **D14/242; D14/107; D14/230**

[58] **Field of Search** D14/100, 102,
D14/107, 114, 240, 242, 149, 137, 140,
142, 155, 159, 230, 238; D13/147, 162,
164, 184; 379/419, 420, 428, 440, 93.01,
441, 442; 375/220, 222, 223; 174/50; 361/600,
605, 686, 622, 728, 730; 455/550-575,
90, 349

[56] References Cited

U.S. PATENT DOCUMENTS

D. 212,001 8/1968 Roberts D14/159
D. 272,443 1/1984 Wong et al. D14/155
D. 346,172 4/1994 Fields et al. D14/114 X

D. 352,289 11/1994 Rak D14/242
D. 352,706 11/1994 Hong D14/137
D. 354,951 1/1995 Fenton et al. D14/107
D. 371,560 7/1996 Fenton et al. D14/230
D. 372,248 7/1996 Tahmassebpur D14/242
5,628,055 5/1997 Stein 455/575
5,678,229 10/1997 Seki et al. 375/222
5,778,325 7/1998 Lindell et al. 455/575

OTHER PUBLICATIONS

Sony Catalog, No. 87, p. 215, Nov. 1997.

Primary Examiner—Jeffrey Asch
Attorney, Agent, or Firm—Foley & Lardner

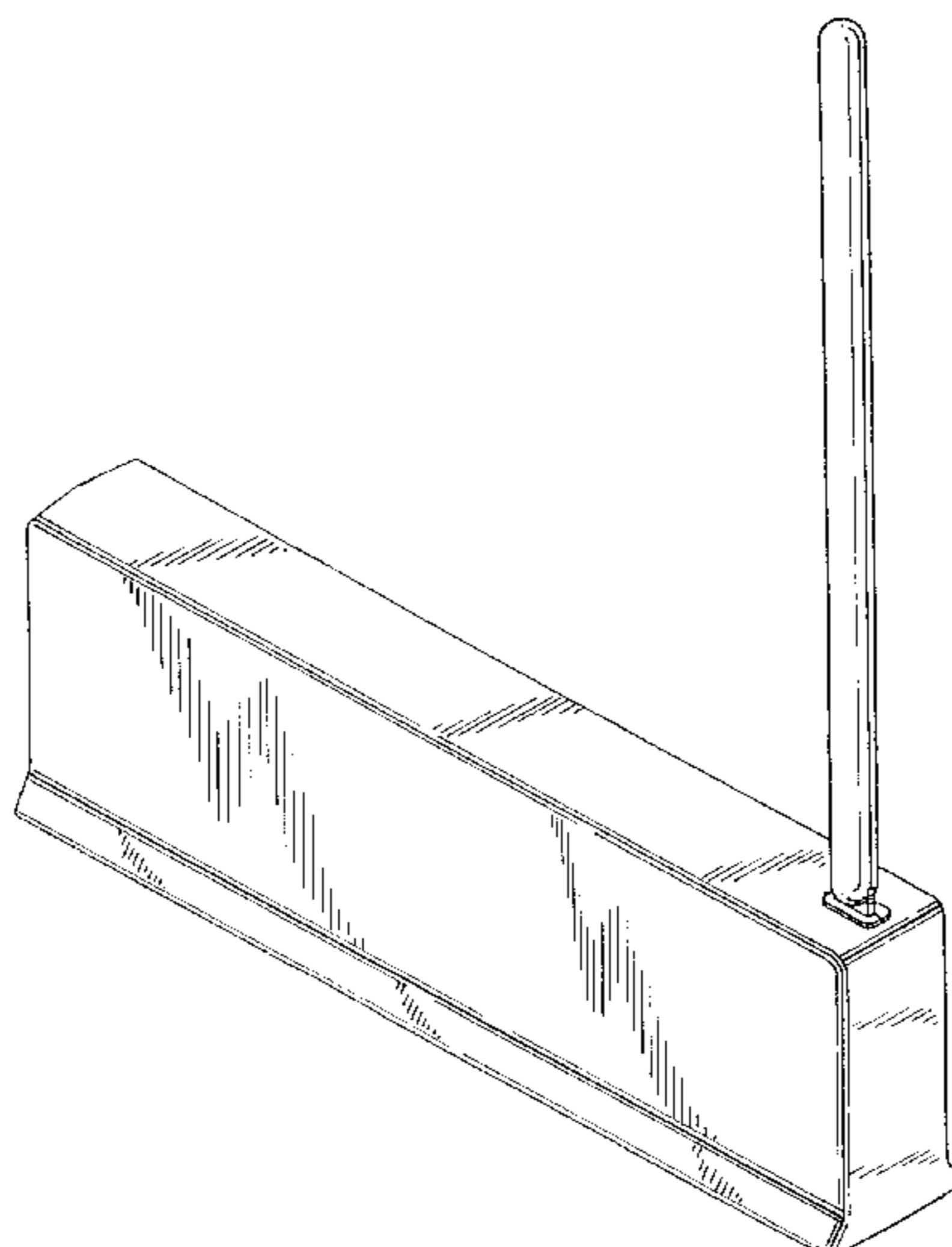
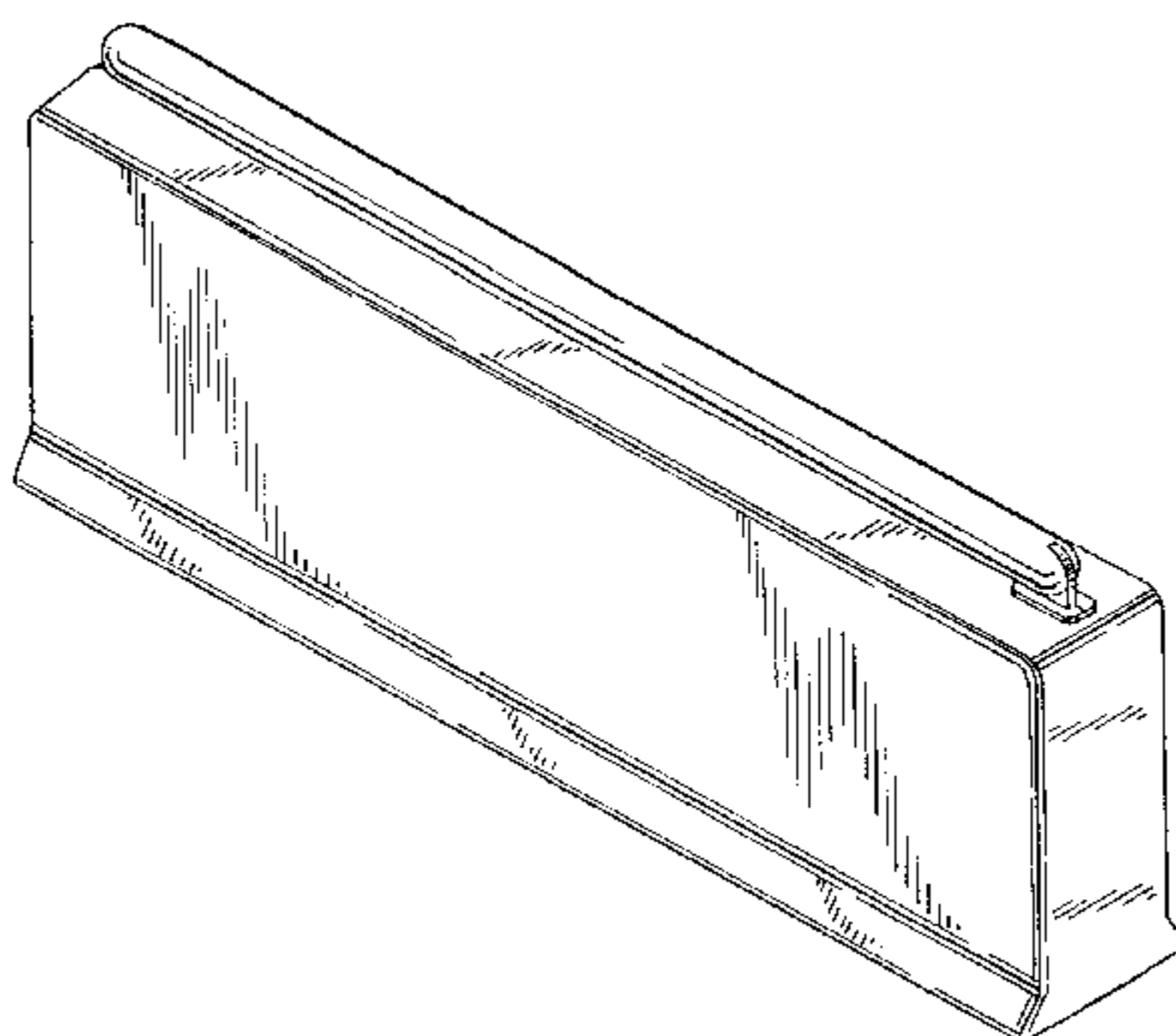
[57] CLAIM

The ornamental design for a modem, as shown and described.

DESCRIPTION

FIG. 1 is a perspective view of a modem showing my new design;
FIG. 2 is a top plan view thereof;
FIG. 3 is a left side elevational view thereof;
FIG. 4 is a front elevational view thereof;
FIG. 5 is a right side elevational thereof;
FIG. 6 is a rear elevational view thereof; and,
FIG. 7 is a perspective view wherein the antenna portion is in the erect position.

1 Claim, 2 Drawing Sheets



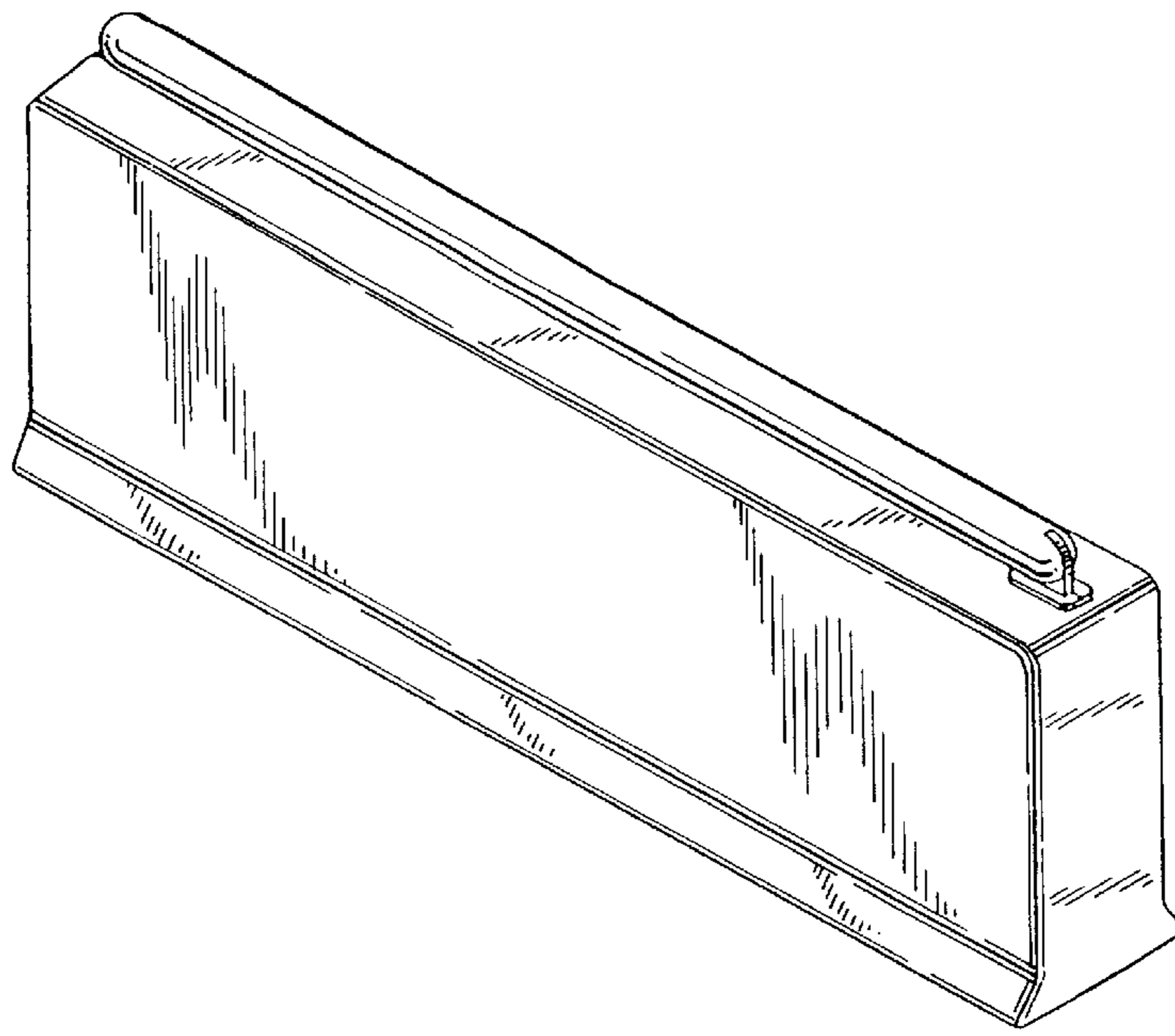


FIG. 1

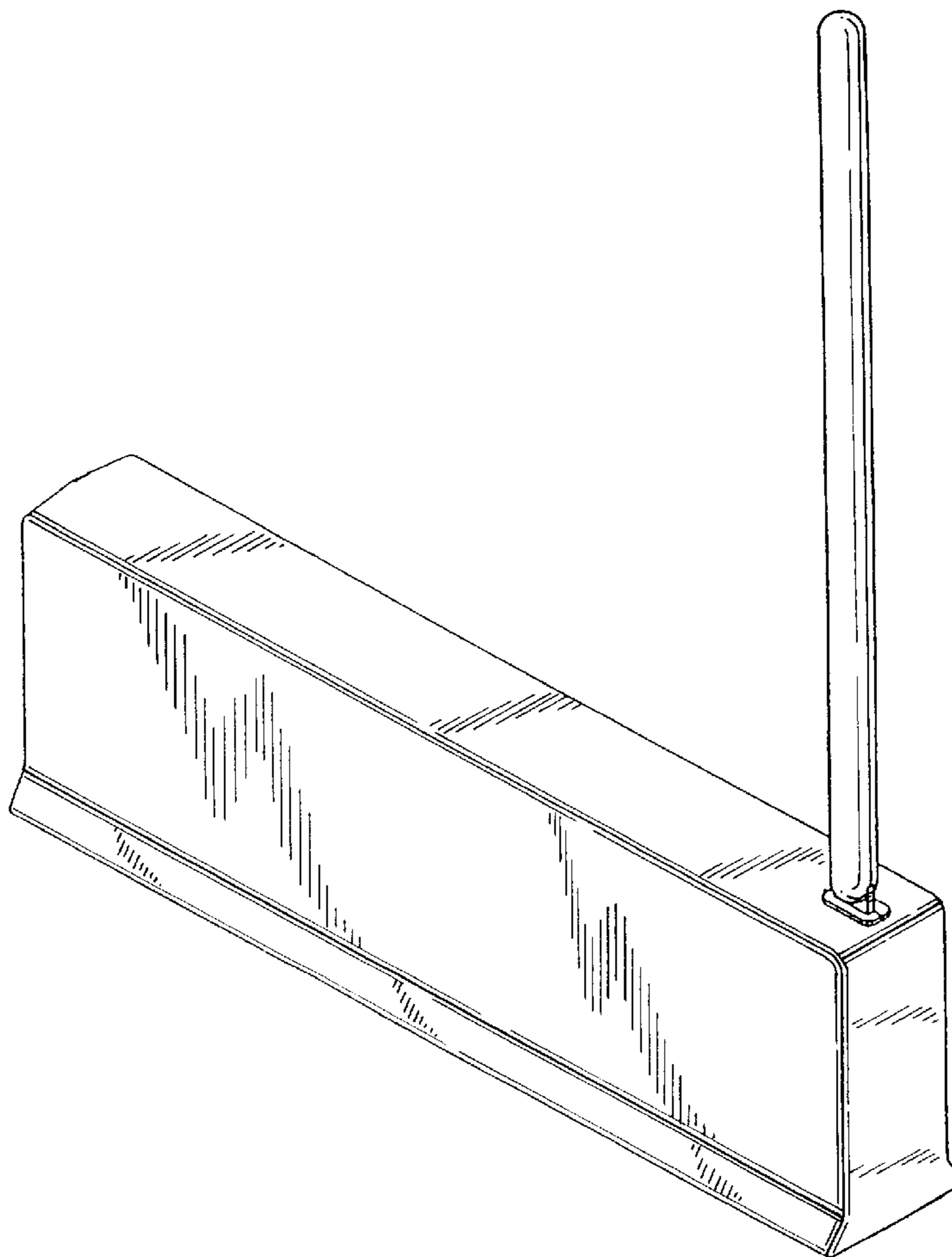


FIG. 7

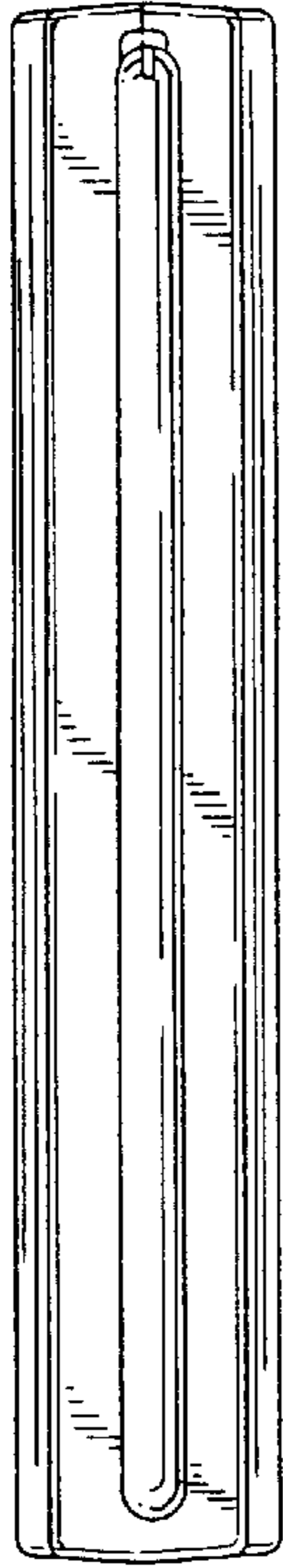


FIG. 2

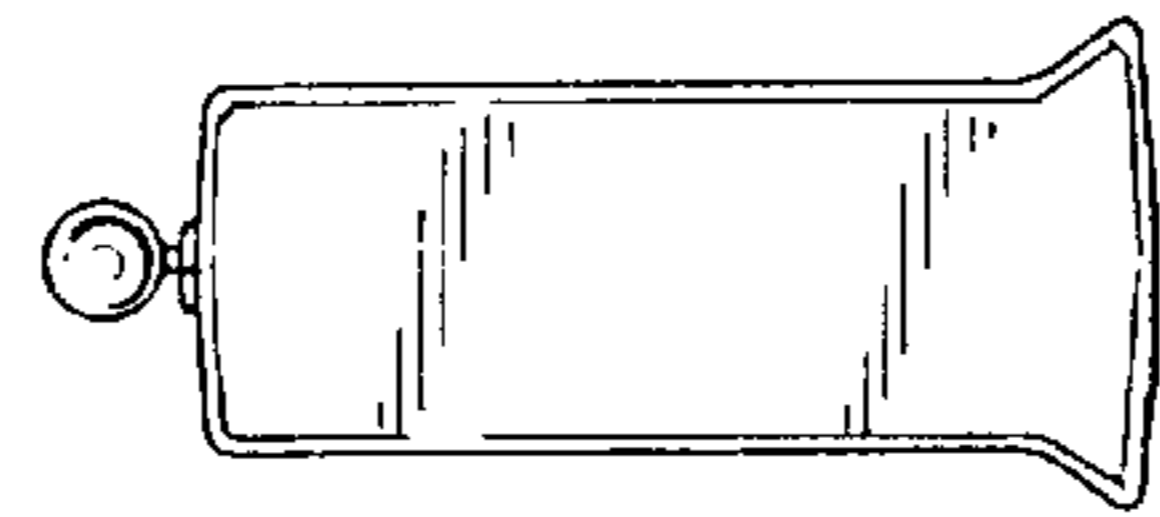


FIG. 3

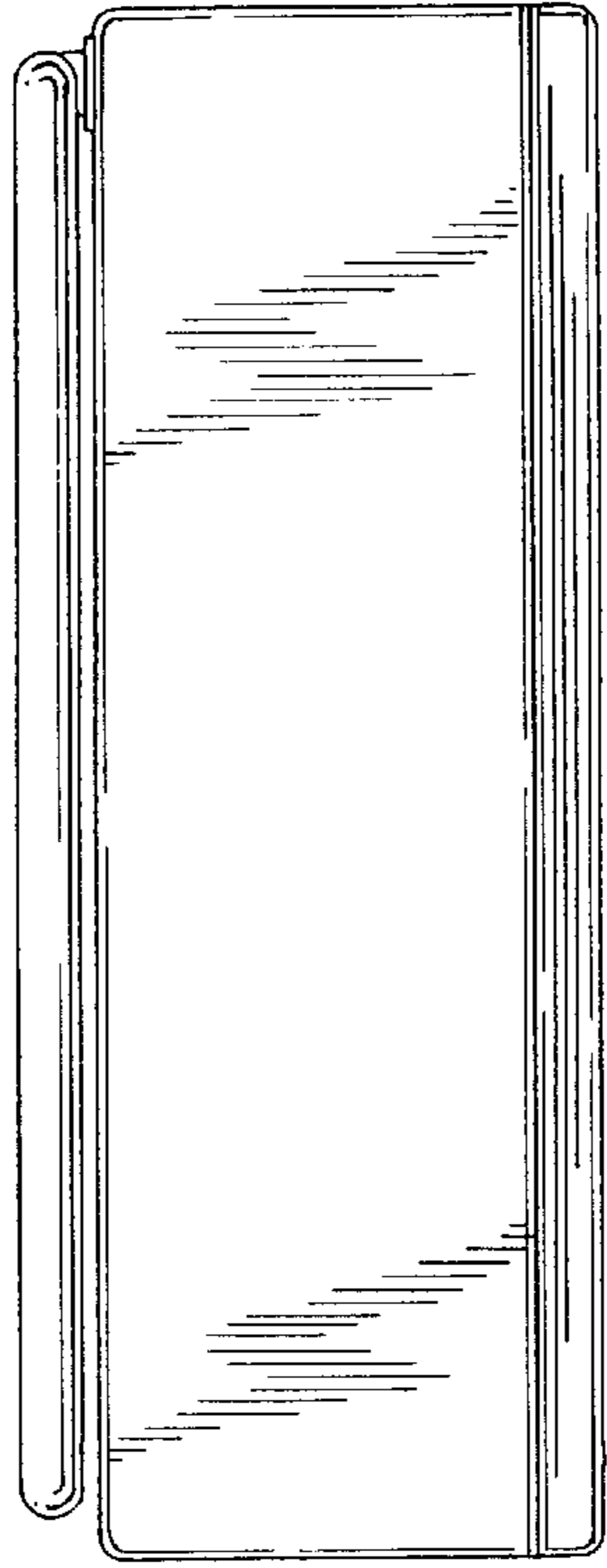


FIG. 4

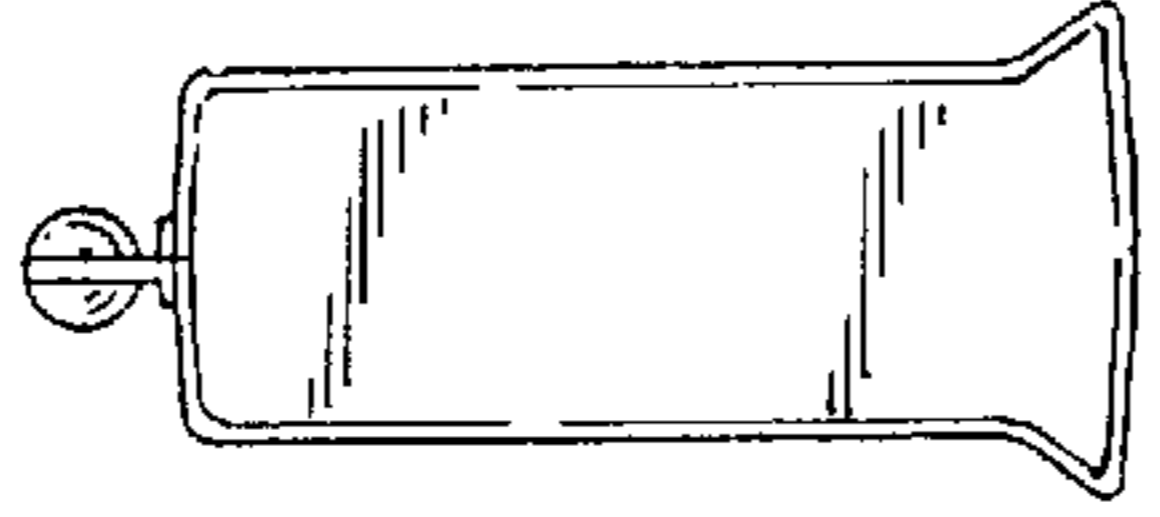


FIG. 5

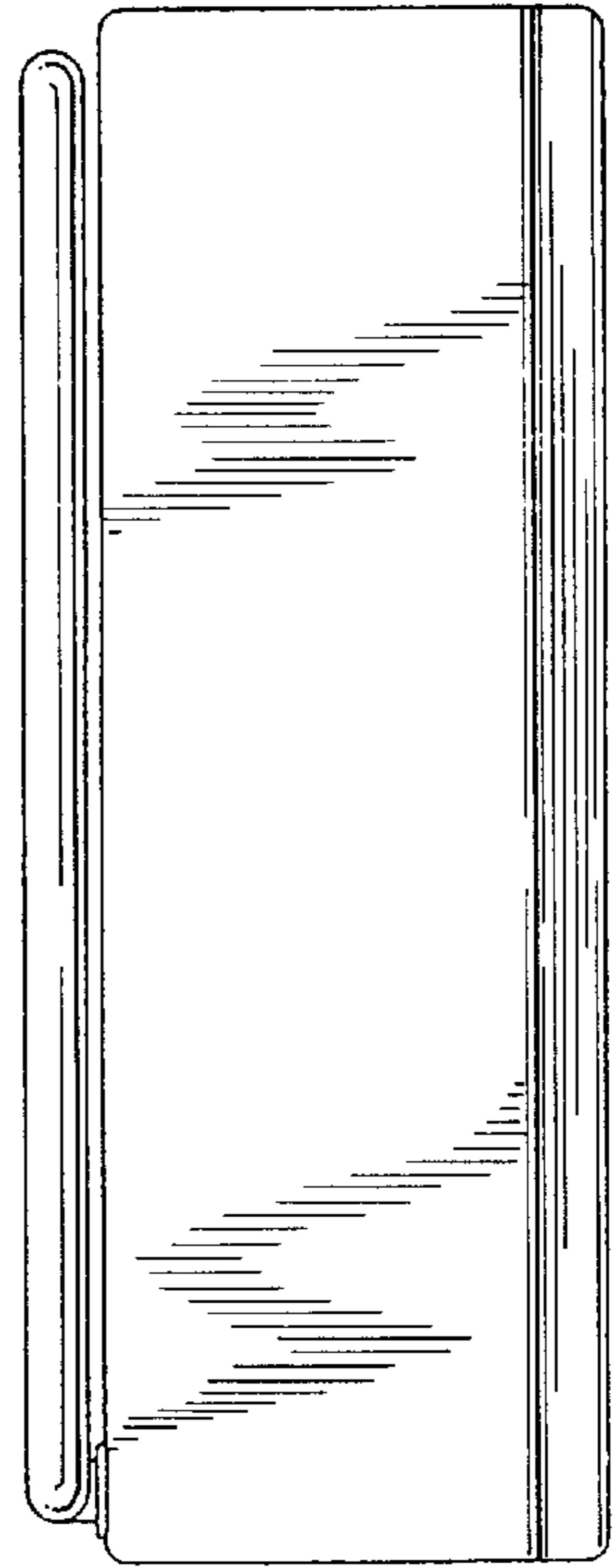


FIG. 6