



US00D409202S

United States Patent [19]

Sone

[11] **Patent Number: Des. 409,202**

[45] **Date of Patent: ** May 4, 1999**

[54] **ELECTROACOUSTIC TRANSDUCER**

5,392,455 2/1995 Benoist et al. 381/205

[75] Inventor: **Takahiro Sone**, Shizuoka, Japan

FOREIGN PATENT DOCUMENTS

[73] Assignee: **Star Micronics Co., Ltd.**, Shizuoka, Japan

948056 2/1996 Japan .

[**] Term: **14 Years**

Primary Examiner—Ted Shooman
Assistant Examiner—Nanda Bondade
Attorney, Agent, or Firm—Sughrue, Mion, Zinn, Macpeak & Seas, PLLC

[21] Appl. No.: **29/059,569**

[22] Filed: **Sep. 13, 1996**

[57] CLAIM

[30] Foreign Application Priority Data

The ornamental design for an electroacoustic transducer, as shown and described.

Mar. 14, 1996 [JP] Japan 8-7007

DESCRIPTION

[51] **LOC (6) Cl.** **14-01**

[52] **U.S. Cl.** **D14/222; D10/116**

[58] **Field of Search** D10/75, 116; D13/101; D14/214, 217, 221-224; 381/158, 173, 190-194, 201, 205; 367/157, 167, 175; 455/344, 347, 350, 351

FIG. 1 is a perspective view of the front, top and right side of an electroacoustic transducer showing my new design; FIG. 2 is a front elevational view thereof; FIG. 3 is a top plan view thereof; FIG. 4 is a right side elevational view thereof, the left side elevational view being a mirror image thereof; FIG. 5 is a bottom plan view thereof; FIG. 6 is a rear elevational view thereof; and, FIG. 7 is a sectional view taken along the line A—A of FIG. 2.

[56] References Cited

U.S. PATENT DOCUMENTS

- D. 373,966 9/1996 Sone et al. D10/116
- D. 375,058 10/1996 Sone et al. D10/116
- D. 379,438 5/1997 Sone D10/116

1 Claim, 3 Drawing Sheets

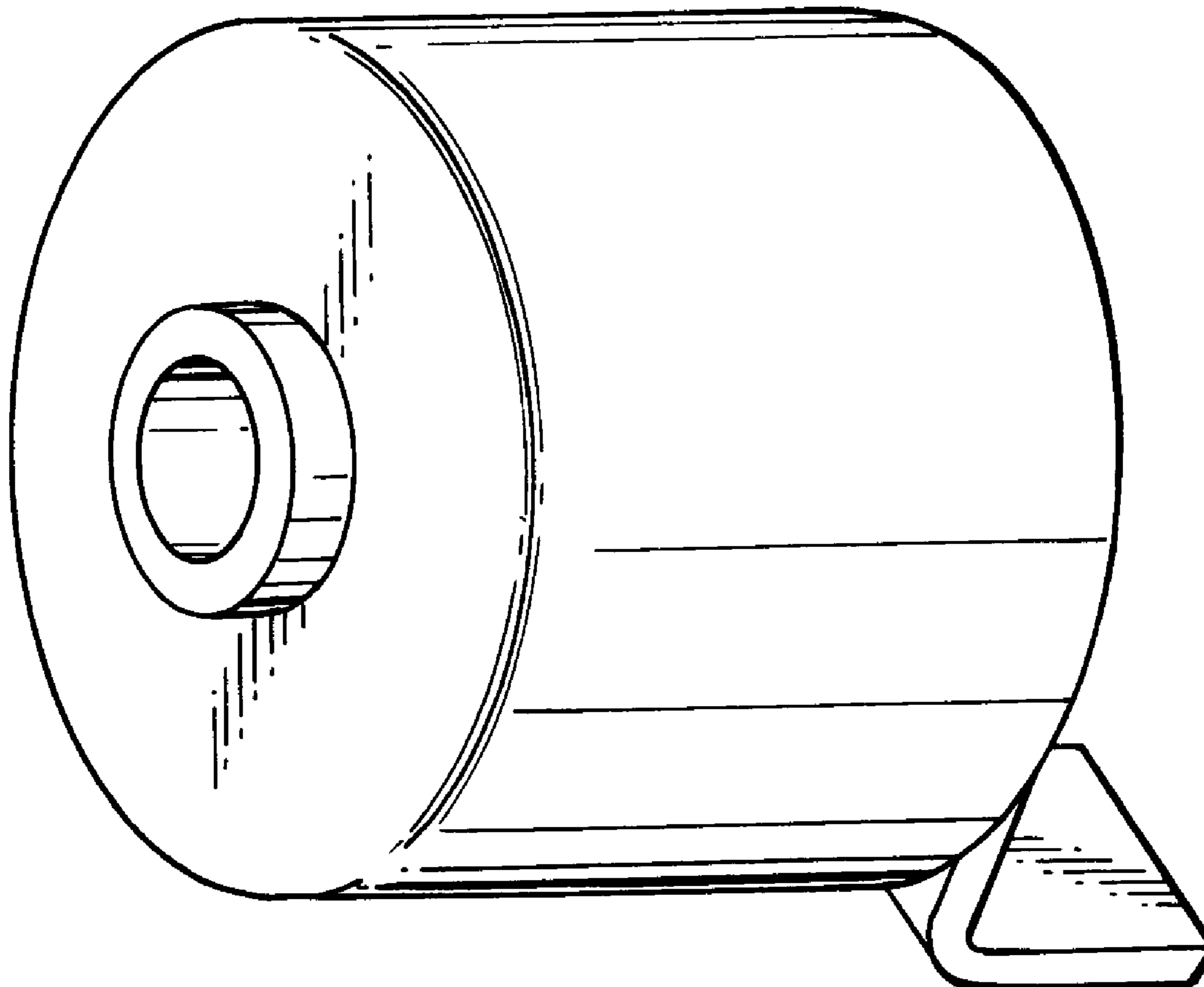


FIG. 1

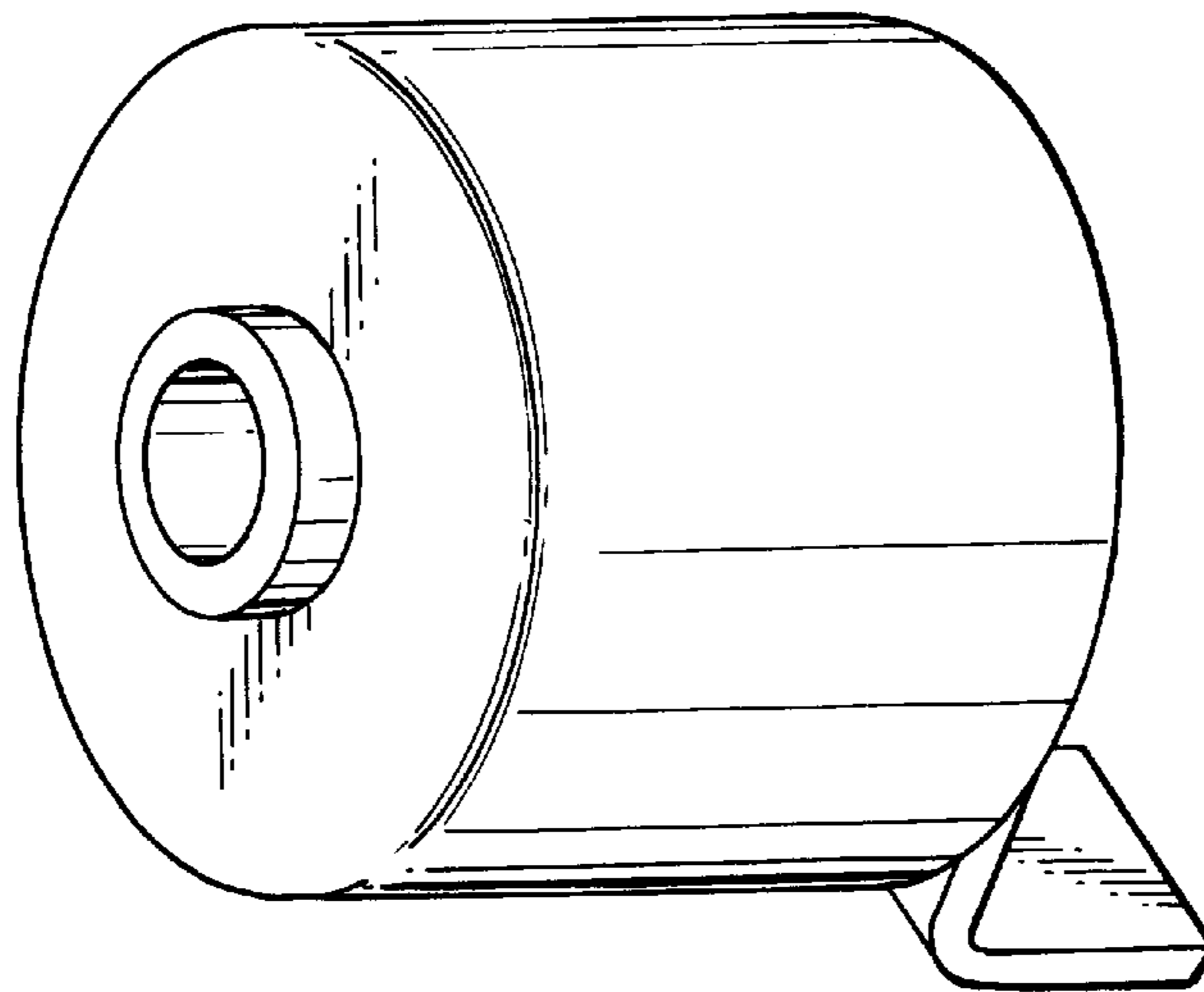


FIG. 2

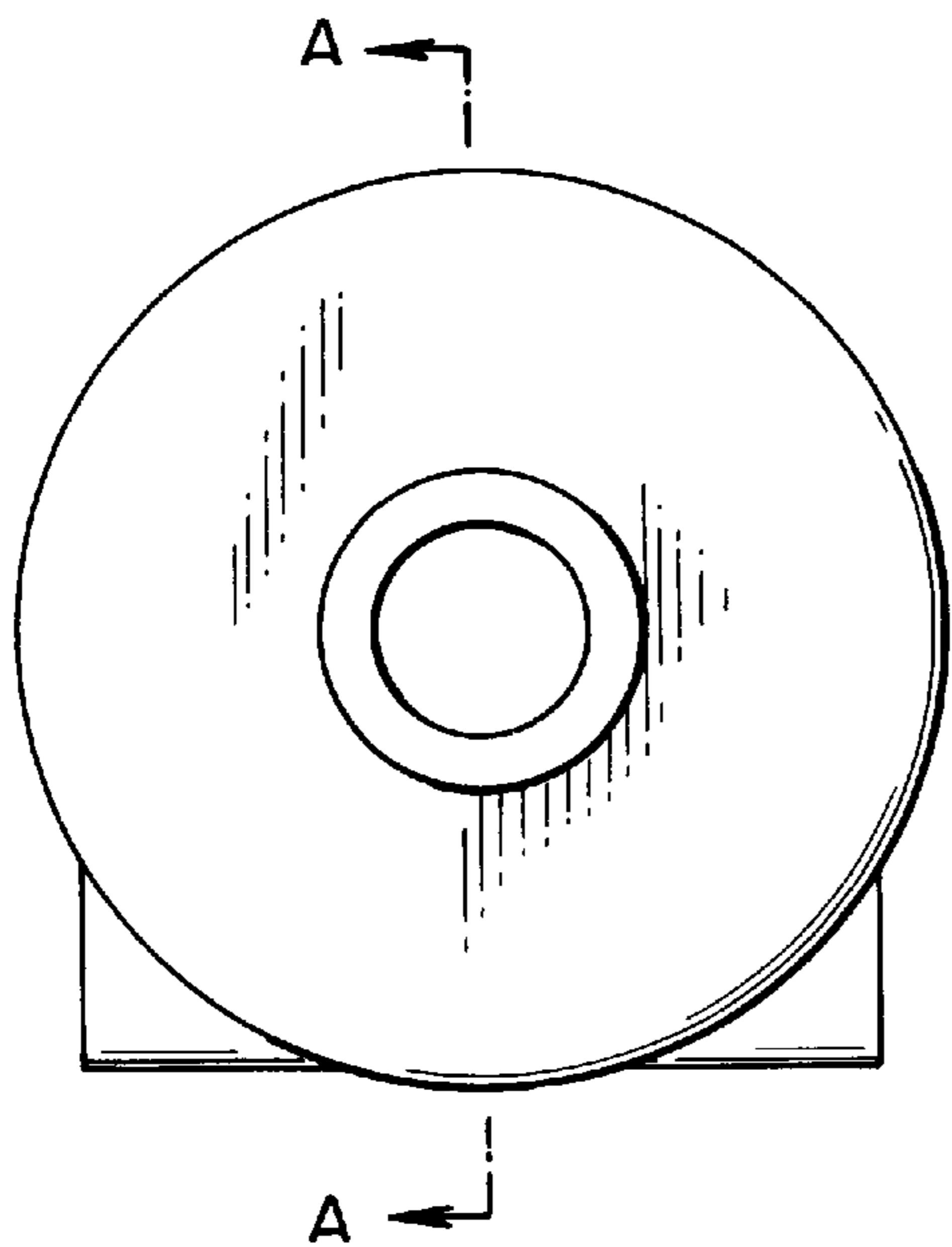


FIG. 3

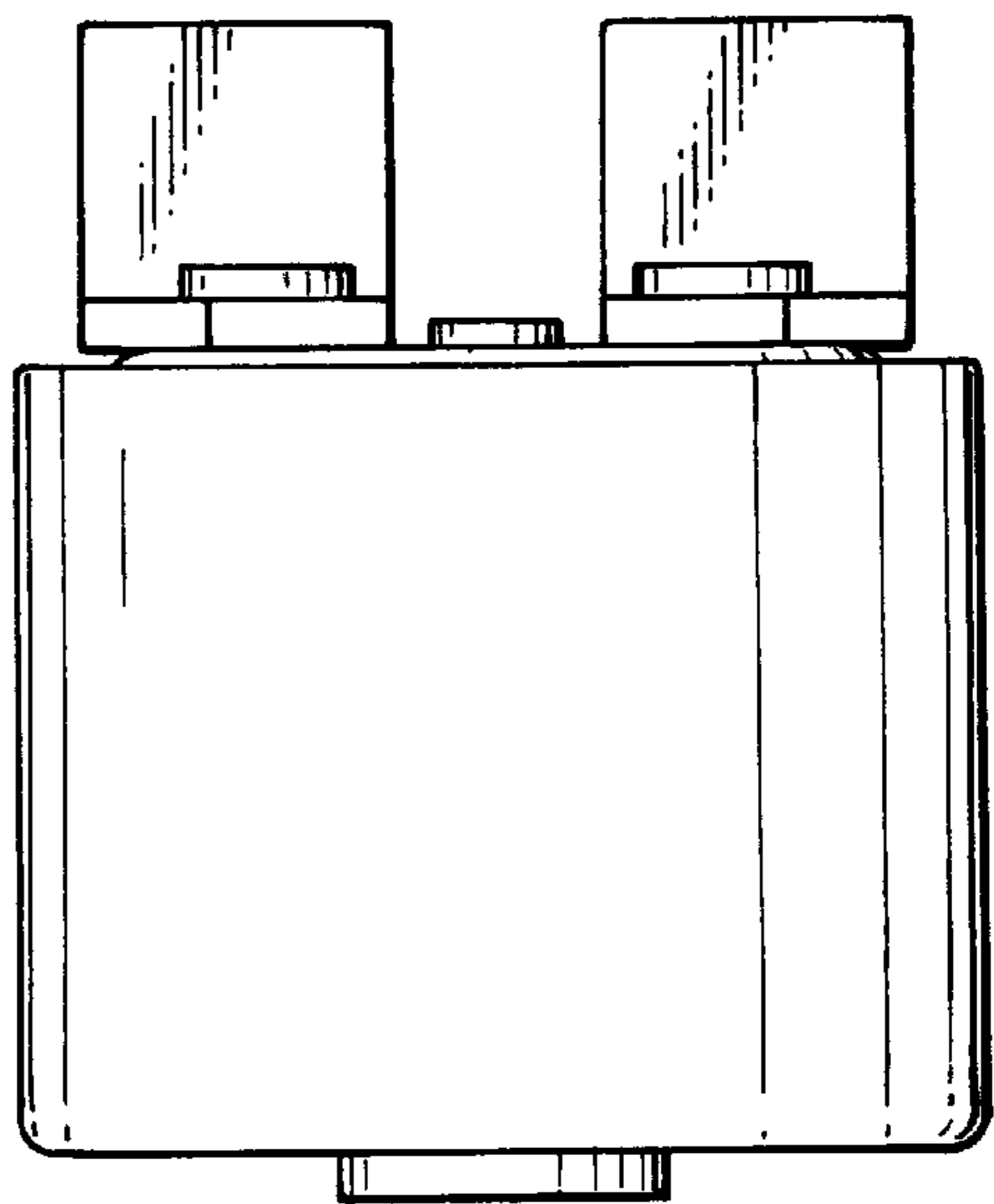


FIG. 4

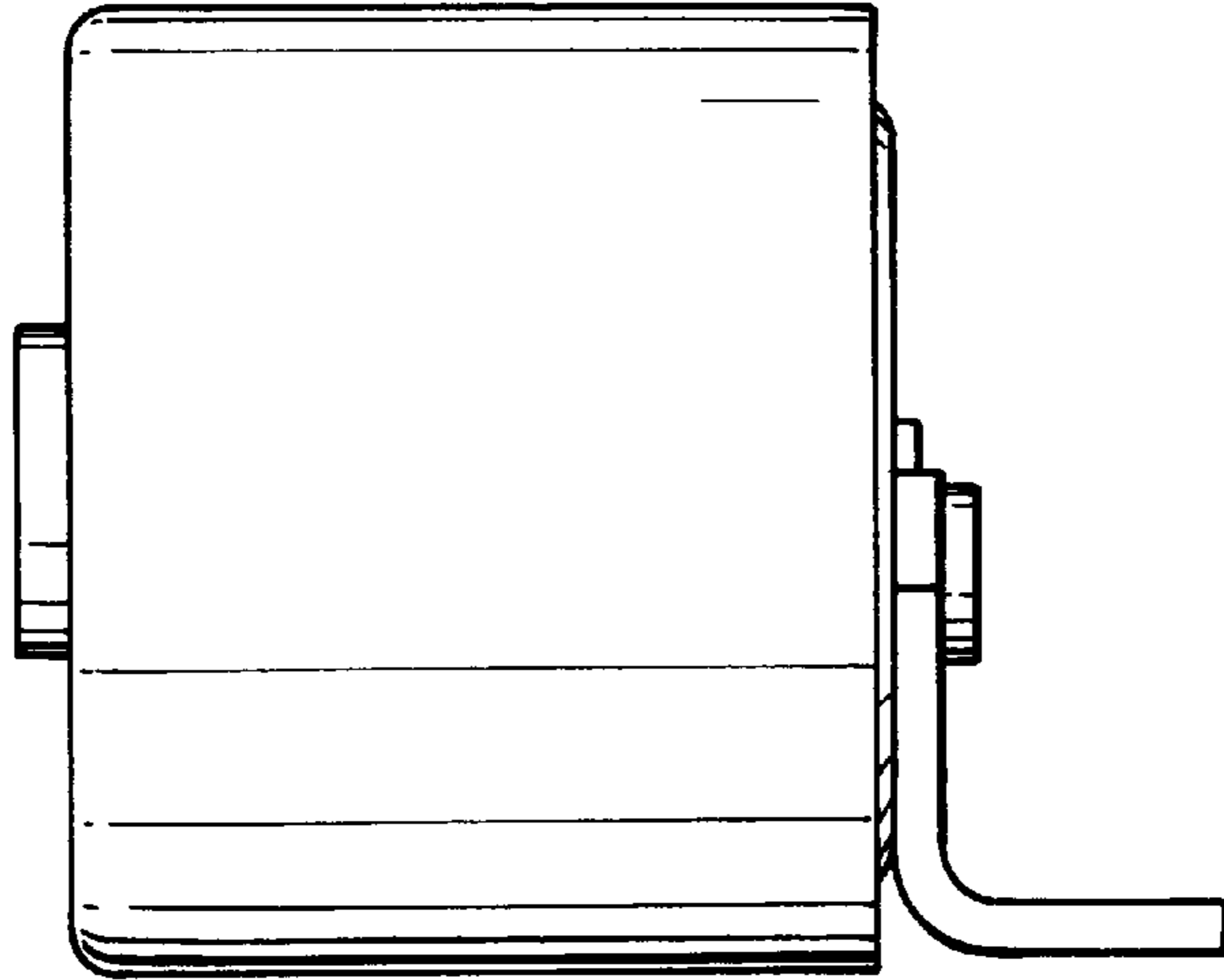


FIG. 5

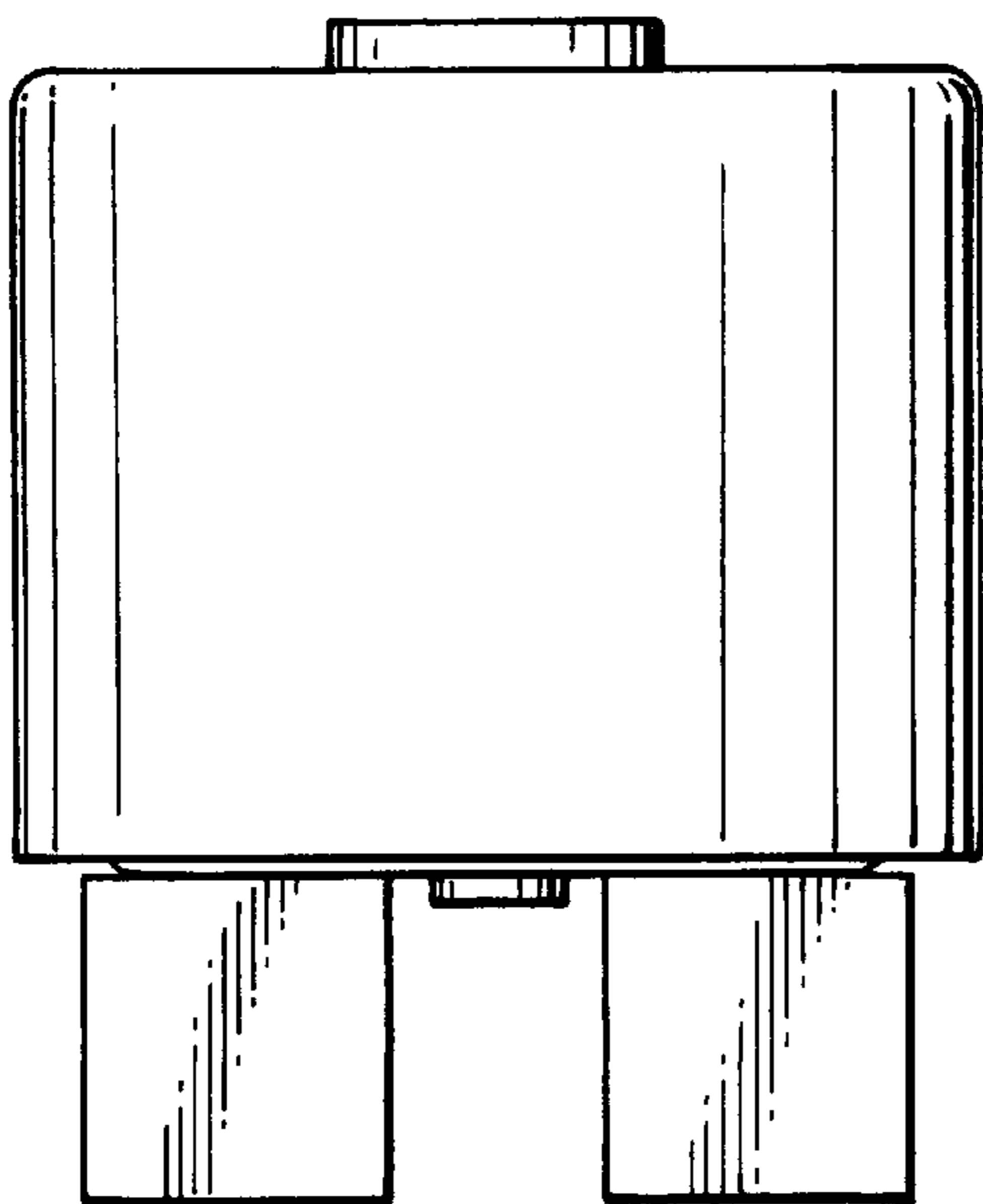


FIG. 6

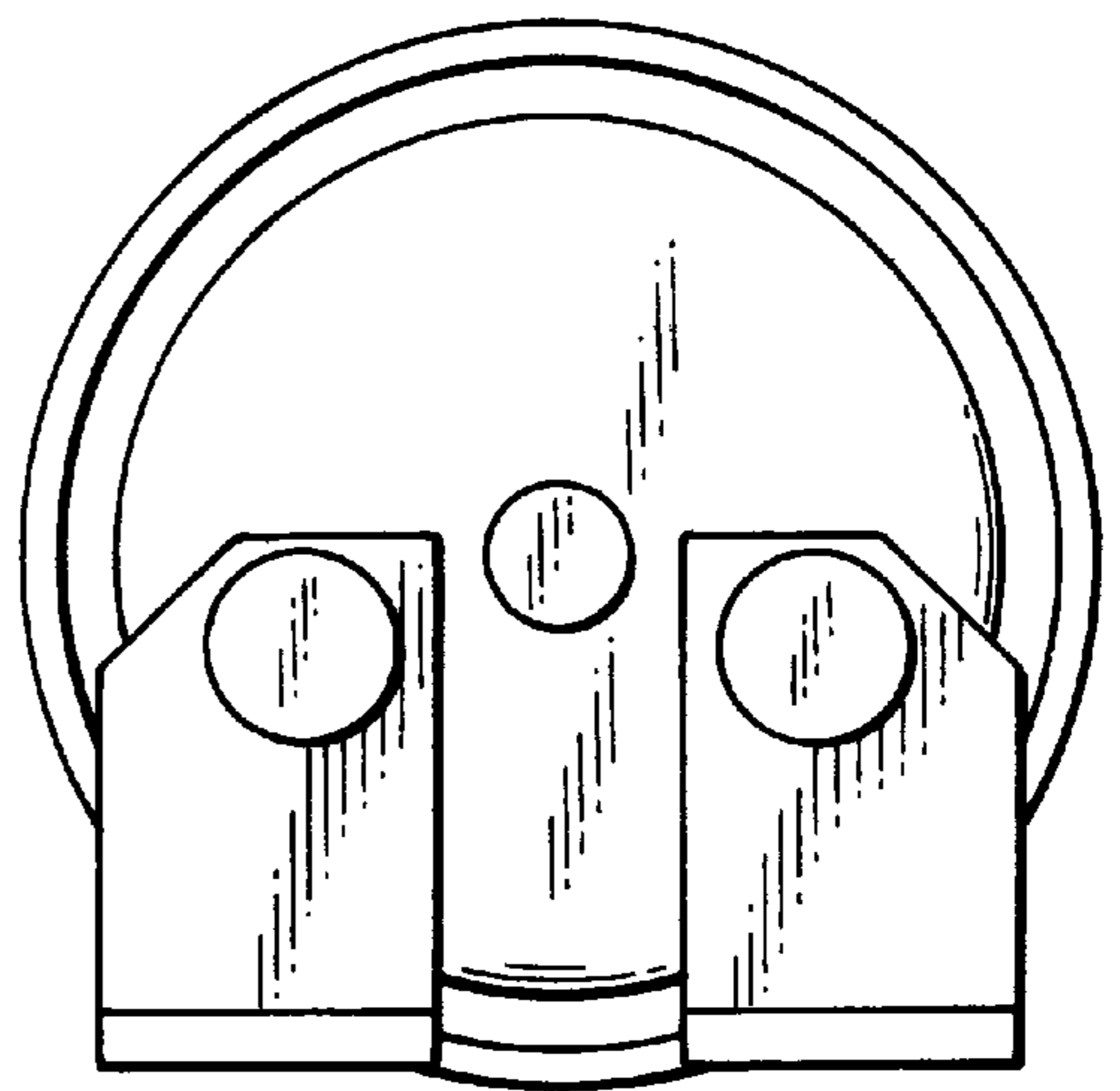


FIG. 7

