



US00D409199S

United States Patent [19]

[11] **Patent Number: Des. 409,199**

Taguchi et al.

[45] **Date of Patent: ** May 4, 1999**

[54] **BASE STATION FOR PORTABLE RADIO APPARATUS**

[75] Inventors: **Masayuki Taguchi; Kentarou Tsuda; Kazuo Ikeda; Masakatsu Takizawa,** all of Tokyo-to, Japan

[73] Assignee: **NEC Corporation,** Tokyo, Japan

[**] Term: **14 Years**

[21] Appl. No.: **29/085,046**

[22] Filed: **Mar. 16, 1998**

[30] **Foreign Application Priority Data**

Sep. 16, 1997 [JP] Japan 9-67870

[51] **LOC (6) Cl.** **14-99**

[52] **U.S. Cl.** **D14/217**

[58] **Field of Search** D14/124, 137, D14/138, 155, 157, 188, 217, 258, 299; 455/73, 89, 90, 128

[56] **References Cited**

U.S. PATENT DOCUMENTS

- D. 256,016 7/1980 Iwata D14/155
- D. 282,169 1/1986 Larson D14/217
- D. 320,982 10/1991 Siddoway D14/137
- D. 328,069 7/1992 Langton D14/137 X
- D. 343,614 1/1994 Khoo et al. D14/137

Primary Examiner—Ted Shooman
Assistant Examiner—Nanda Bondade
Attorney, Agent, or Firm—Sughrue, Mion, Zinn, Macpeak & Seas, PLLC

[57] **CLAIM**

The ornamental design for a base station for portable radio apparatus, as shown and described.

DESCRIPTION

FIG. 1 is a perspective view of the top, front and right side of a base station for portable radio apparatus showing our new design;

FIG. 2 is a front elevational view thereof;

FIG. 3 is a rear elevational view thereof;

FIG. 4 is a top plan view thereof;

FIG. 5 is a bottom plan view thereof;

FIG. 6 is a right side elevational view thereof;

FIG. 7 is a left side elevational view thereof;

FIG. 8 is a top plan view similar to FIG. 4 with the antennae in an alternate position;

FIG. 9 is a front elevational view similar to FIG. 2 with the antennae in an alternate position;

FIG. 10 is a bottom plan view thereof similar to FIG. 5 with the antennae in an alternate position; and,

FIG. 11 is a right side elevational view similar to FIG. 7 with the antennae in an alternate position.

1 Claim, 4 Drawing Sheets

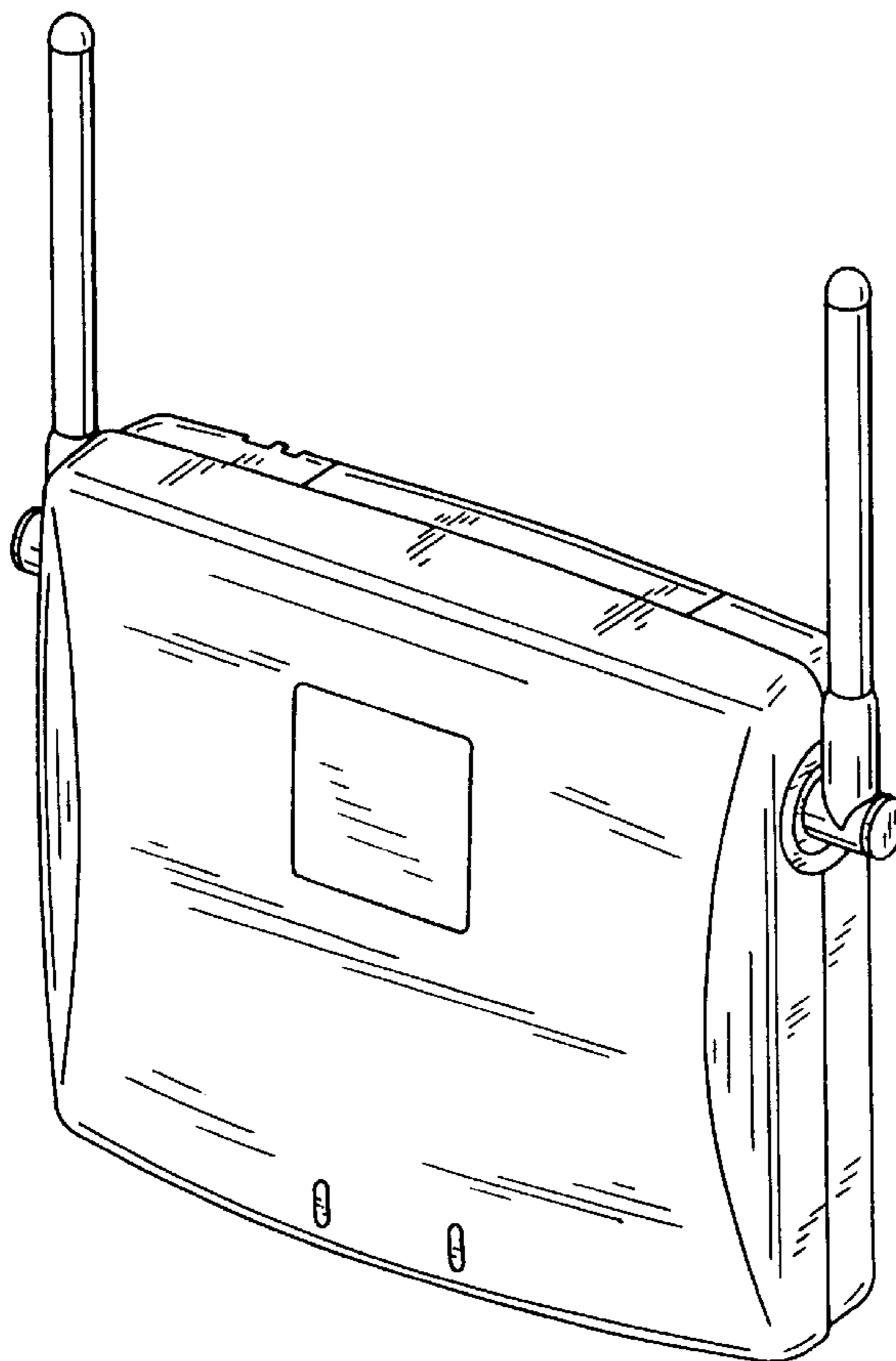


FIG. I

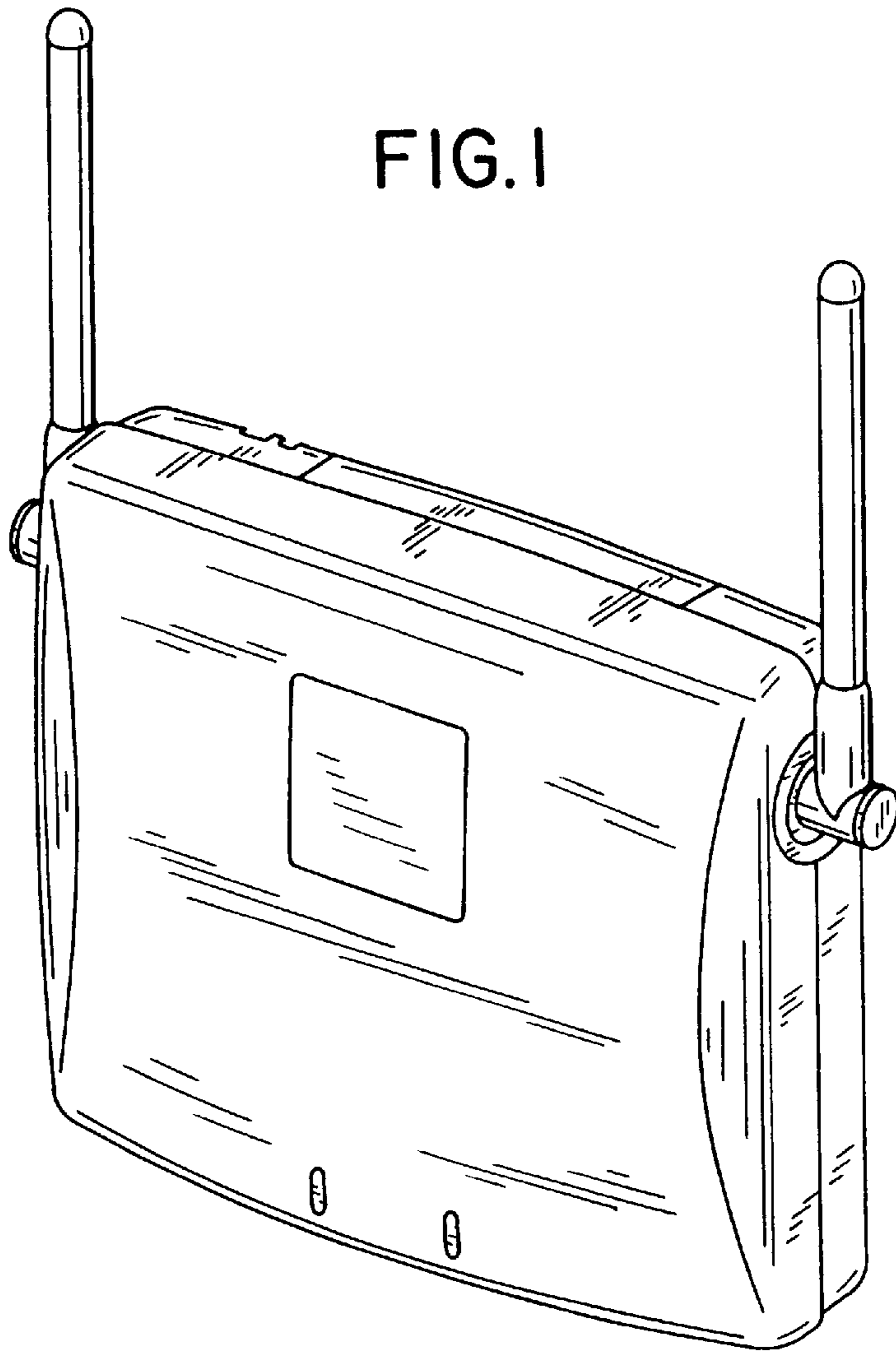
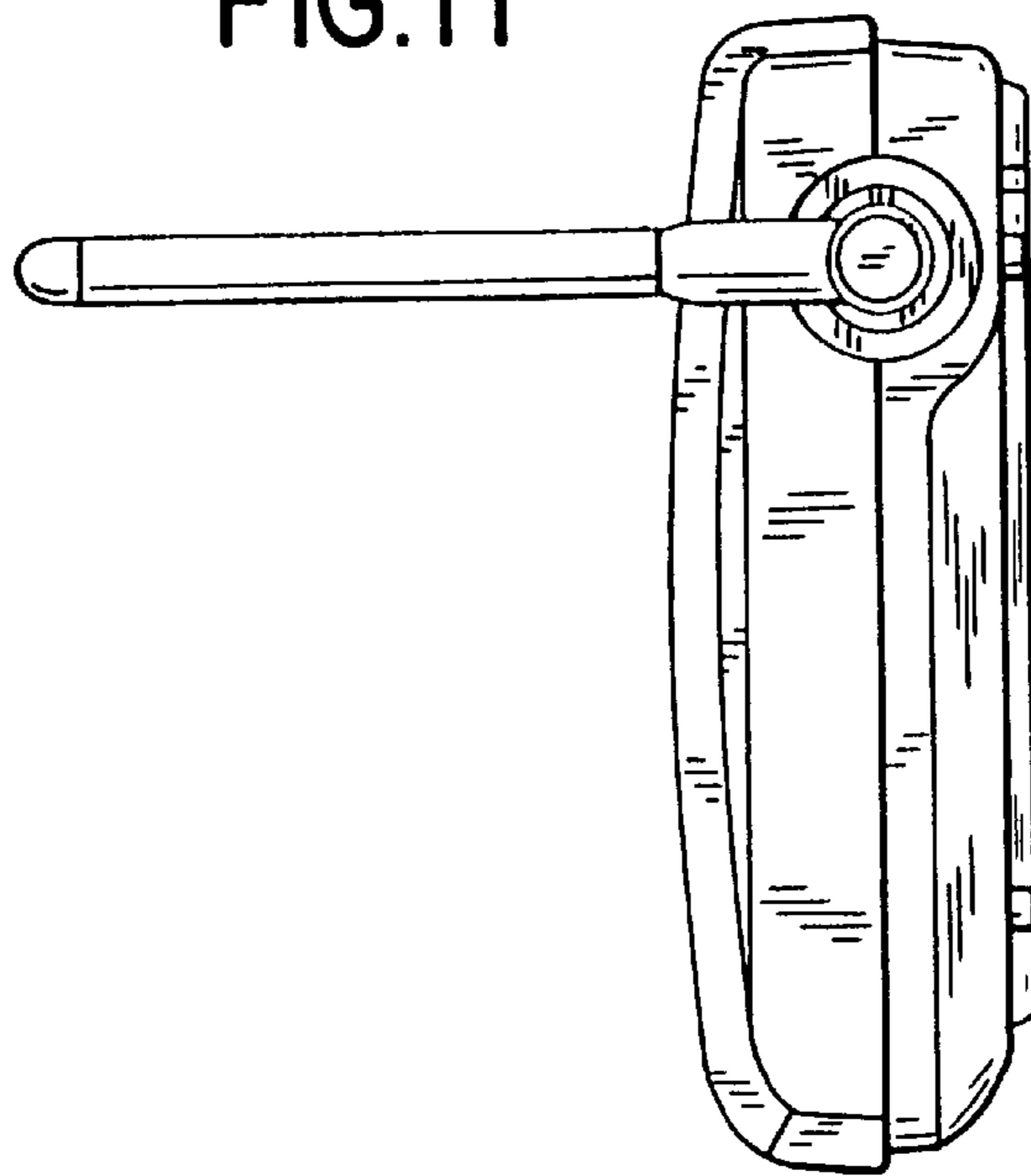


FIG. II



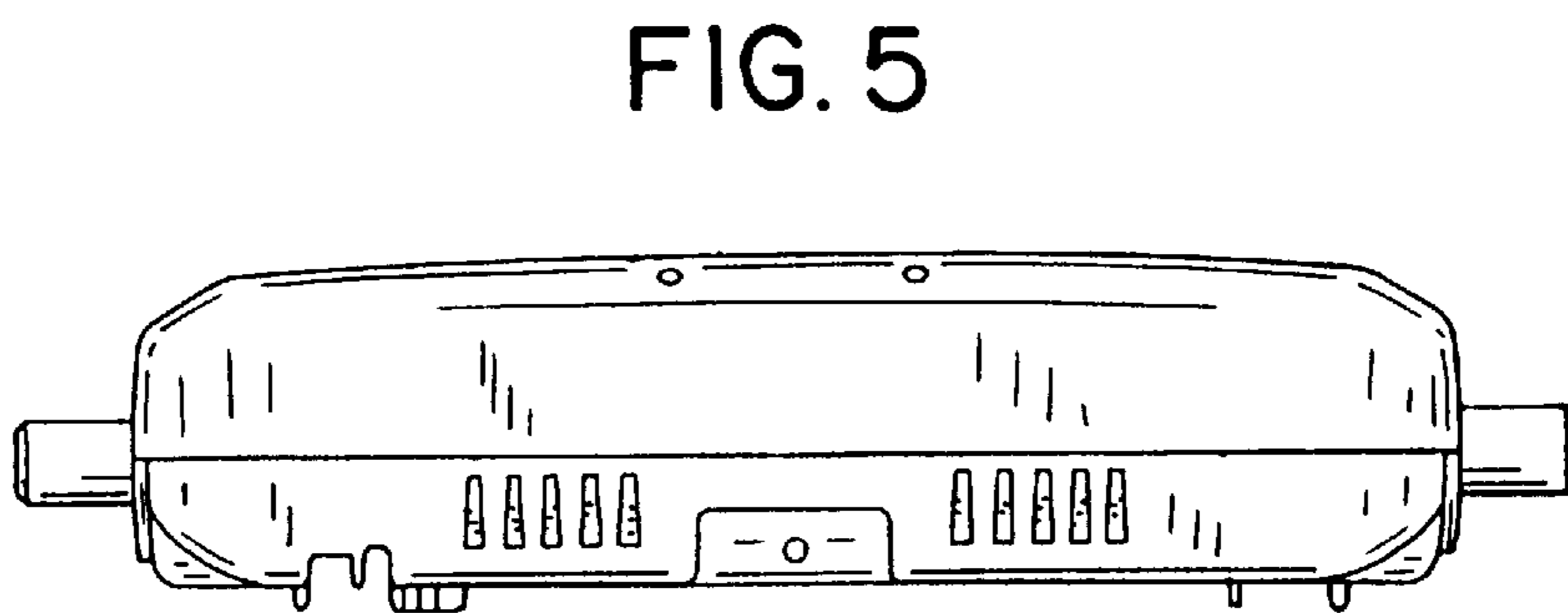
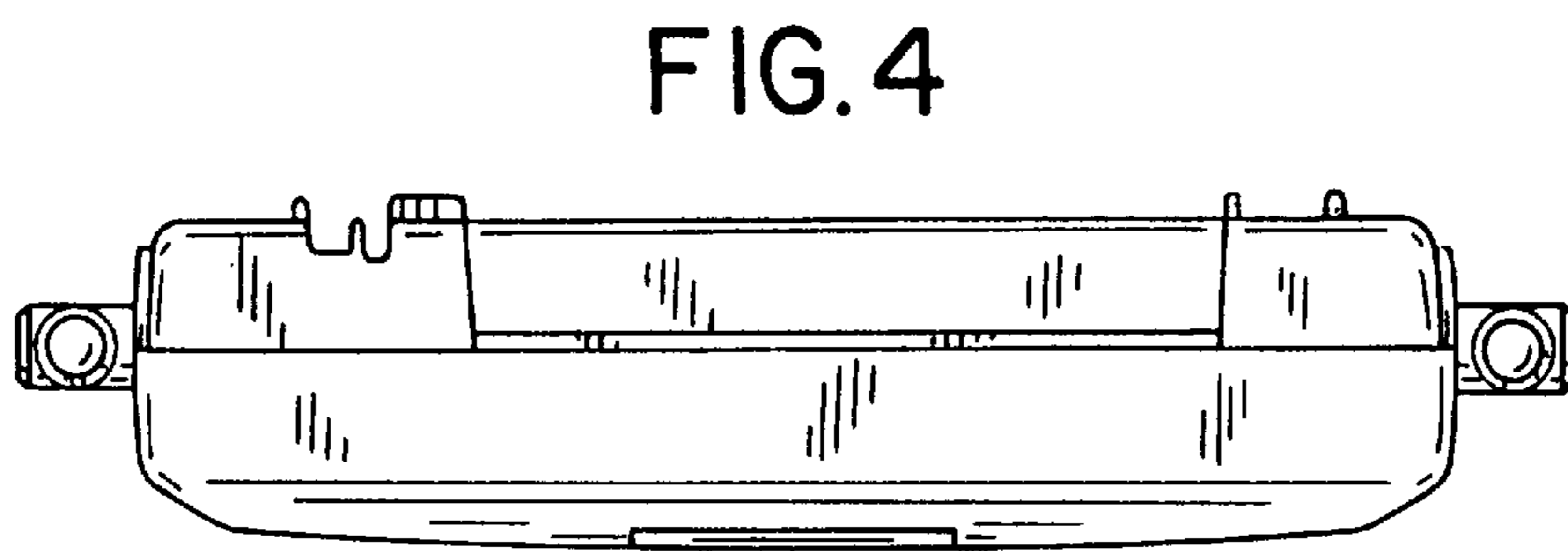
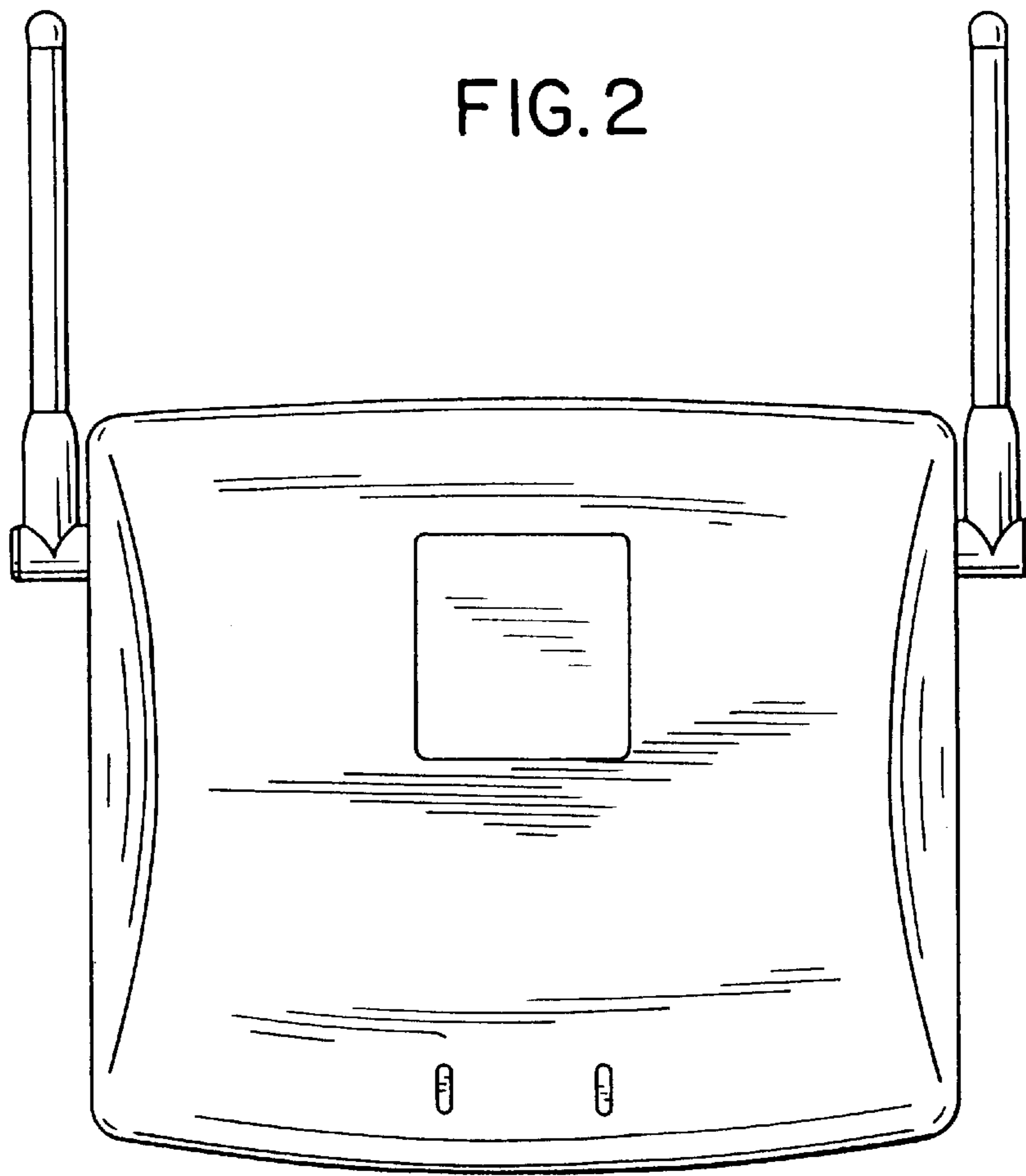


FIG. 3

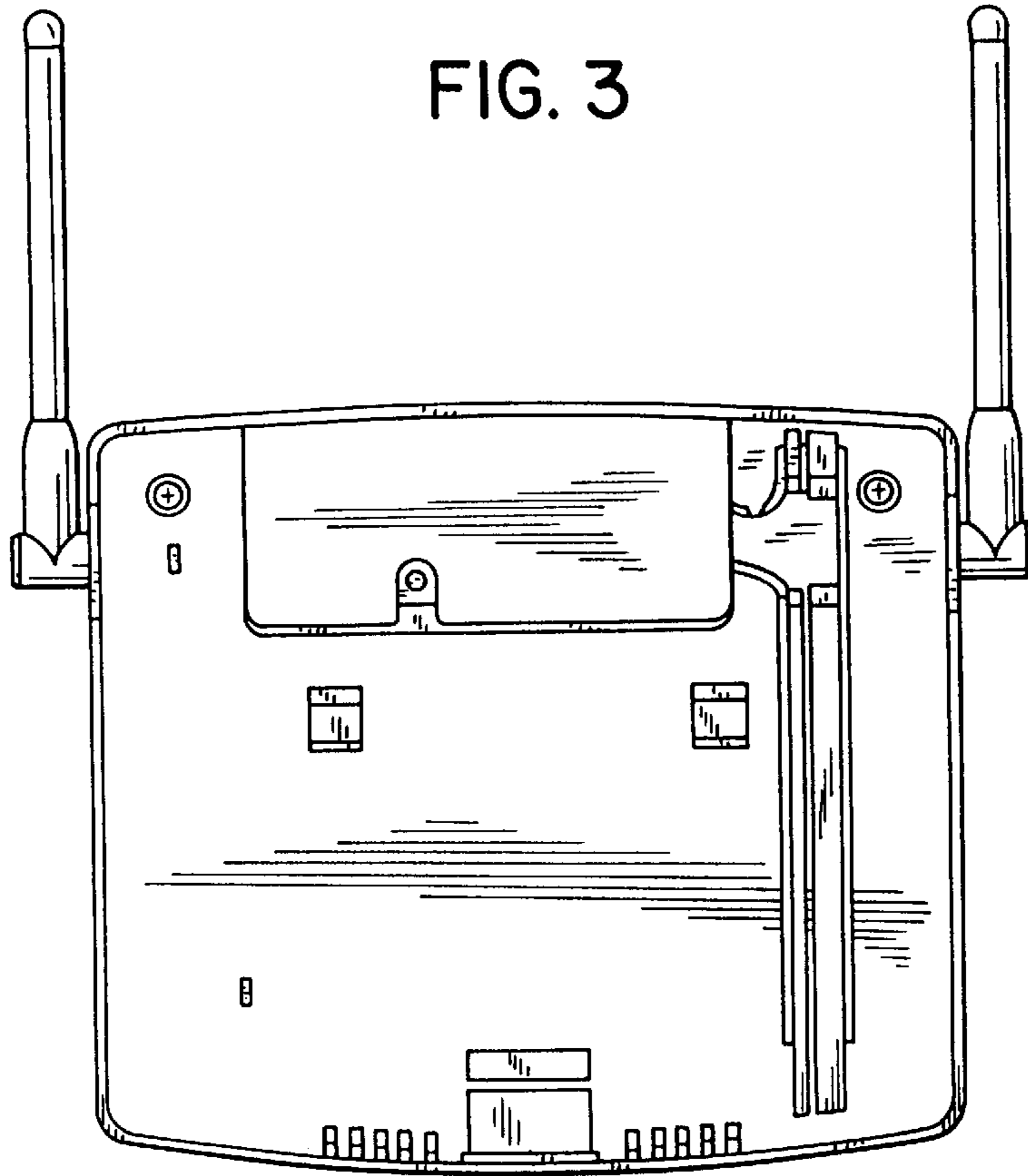


FIG. 6

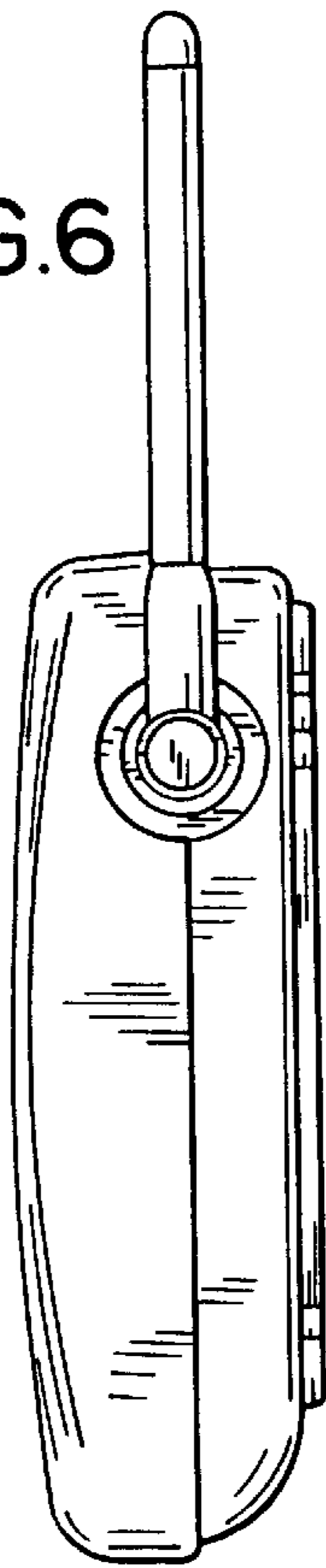


FIG. 7

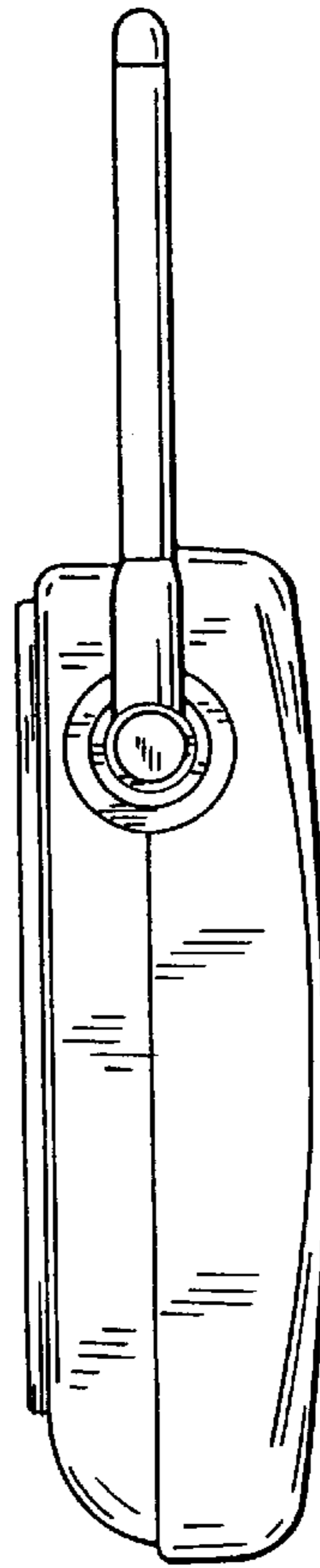


FIG. 8

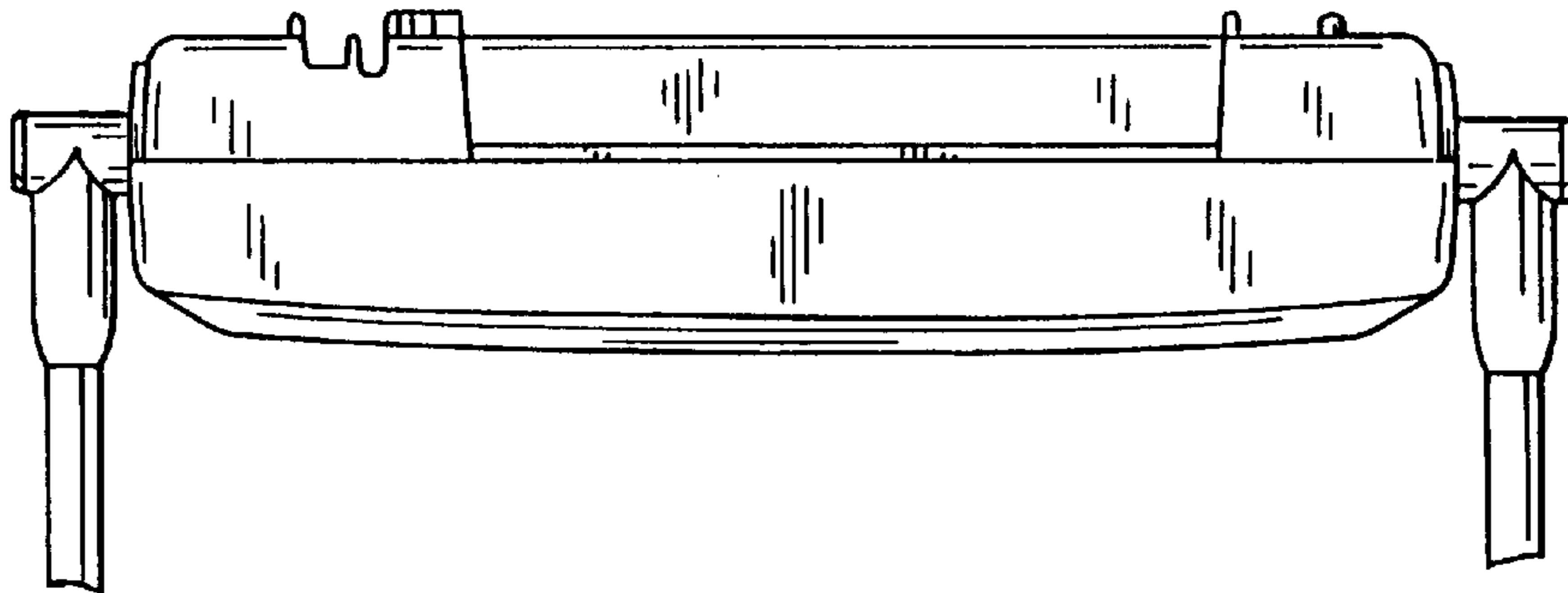


FIG. 9

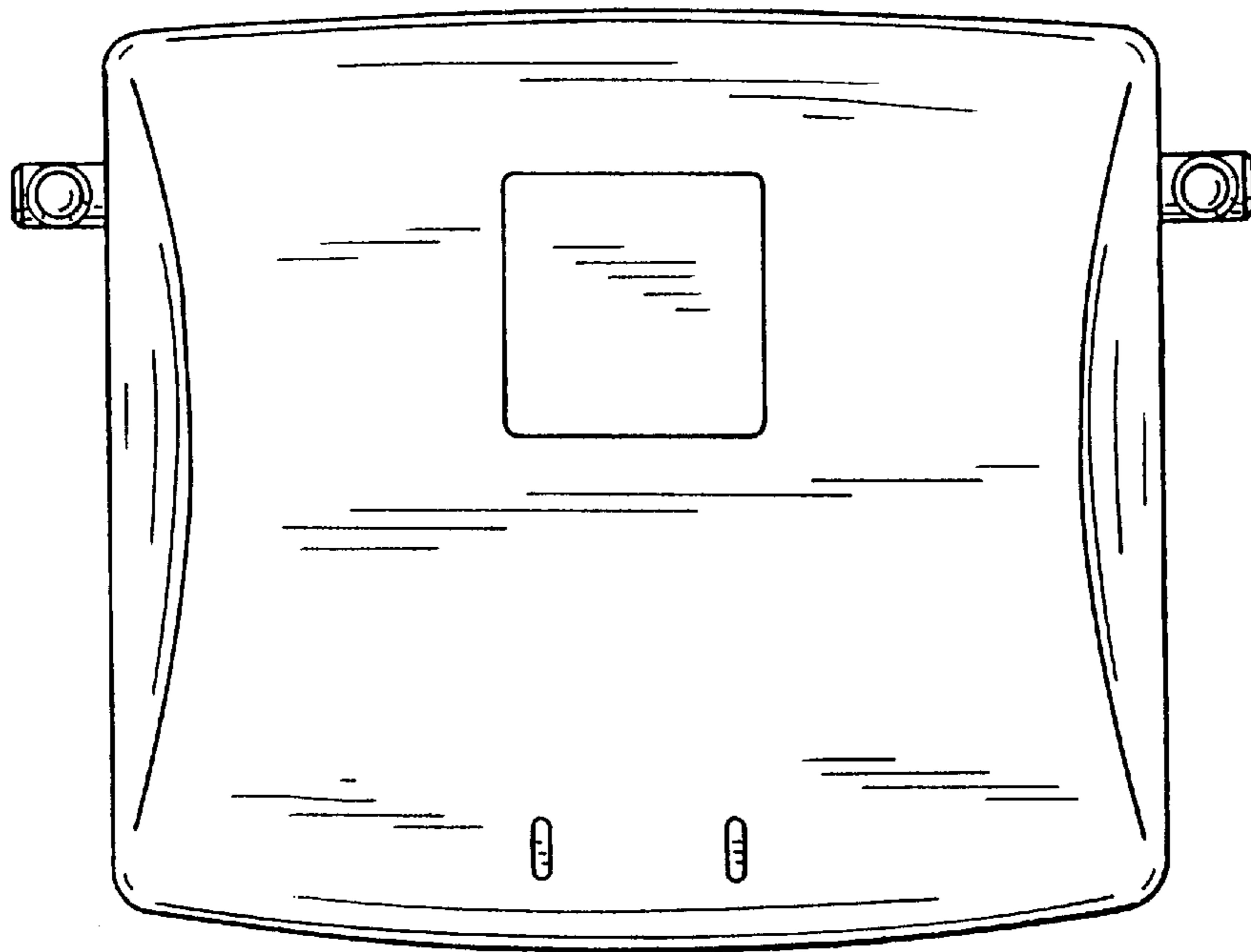


FIG. 10

