



US00D409198S

# United States Patent [19]

Harvey et al.

[11] Patent Number: Des. 409,198

[45] Date of Patent: \*\* May 4, 1999

[54] **SPEAKER ENCLOSURE**

[75] Inventors: **Gregg W. Harvey; Peter F. Lynch; Robert L. Naas**, all of Skaneateles, N.Y.

[73] Assignee: **Pittway Corporation**, Chicago, Ill.

[\*\*] Term: **14 Years**

[21] Appl. No.: **29/090,247**

[22] Filed: **Jul. 2, 1998**

[51] **LOC (6) Cl.** ..... **14-01**

[52] **U.S. Cl.** ..... **D14/215; D14/214**

[58] **Field of Search** ..... D14/204, 209-216; 181/144, 145, 147, 148, 150, 157, 198, 199; 381/24, 88, 90, 159, 186

## [56] **References Cited**

### U.S. PATENT DOCUMENTS

D. 263,823	4/1982	Chapman	.....	D14/212
D. 280,818	10/1985	Clover, Jr.	.....	D14/215
D. 280,985	10/1985	Grimes	.....	D14/214
D. 302,430	7/1989	Matsushima et al.	.....	D14/214

*Primary Examiner*—Ted Shooman  
*Assistant Examiner*—Nanda Bondade  
*Attorney, Agent, or Firm*—Anthony R. Barkume, P.C.

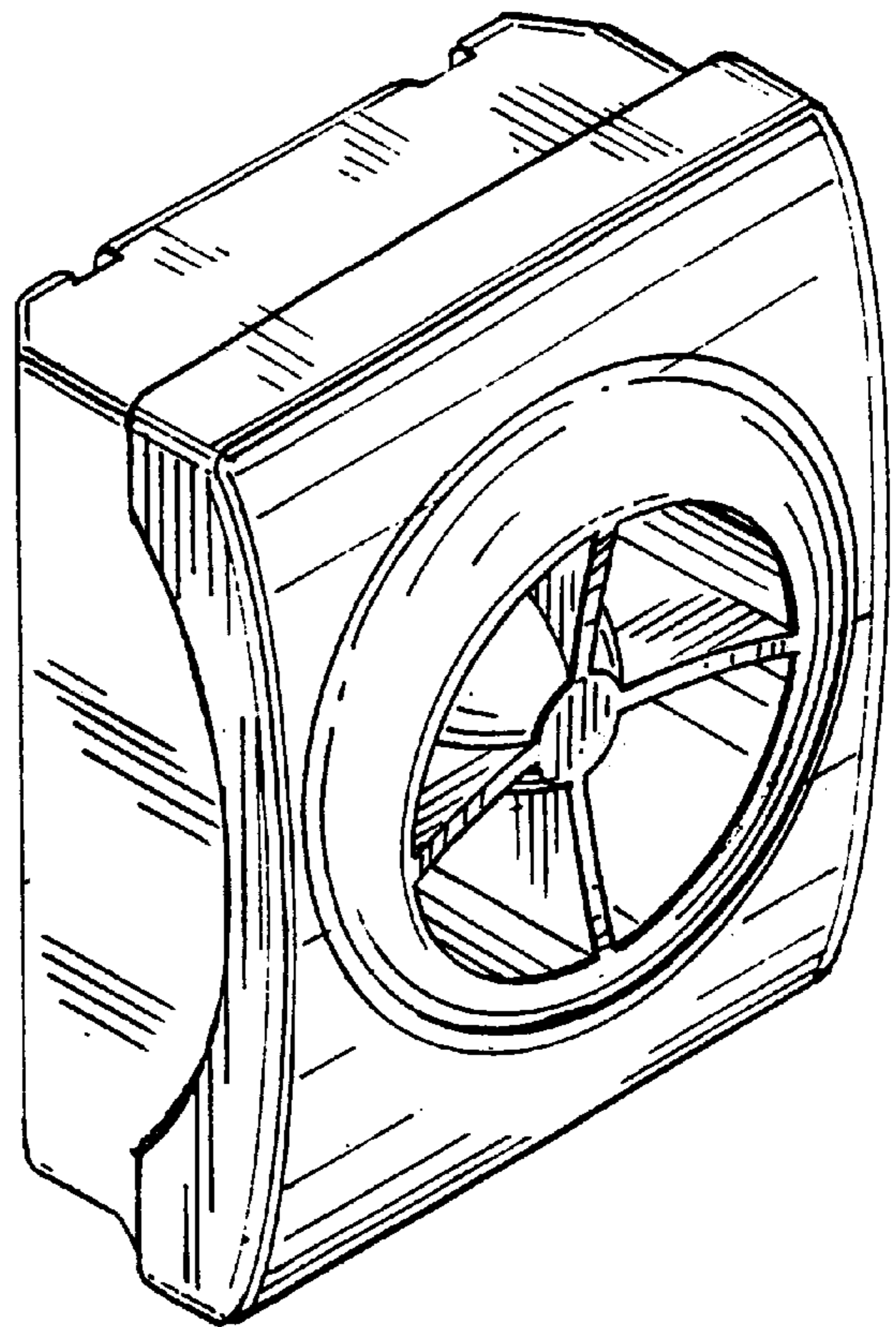
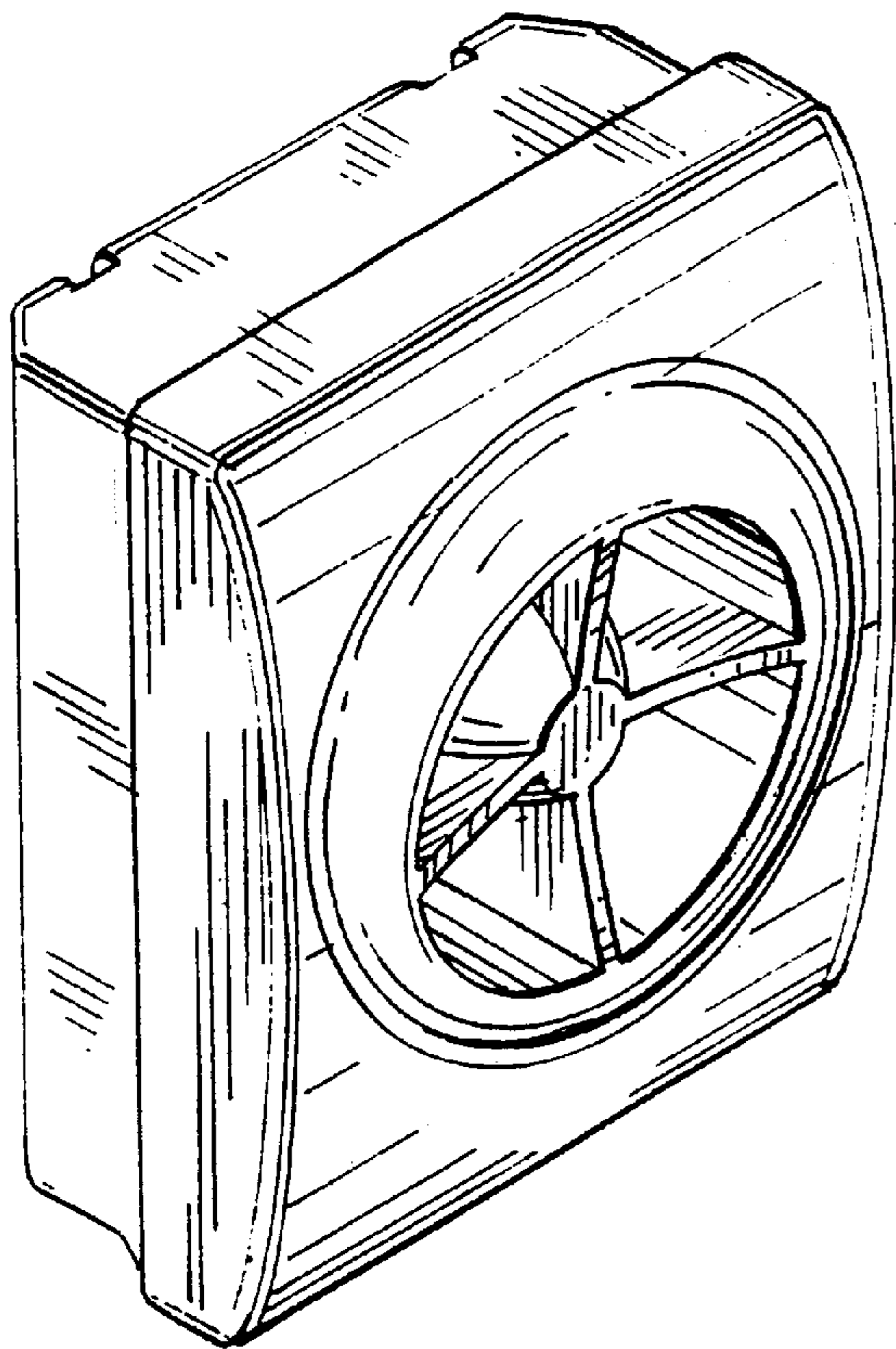
## [57] **CLAIM**

The ornamental design for a speaker enclosure, as shown and described.

## **DESCRIPTION**

FIG. 1 is a front, top and left side perspective view of a speaker enclosure showing our new design; FIG. 2 is a top plan view thereof; FIG. 3 is a front elevational view thereof; FIG. 4 is a right side elevational view thereof, the left side view being a mirror image; FIG. 5 is a rear elevational view thereof; FIG. 6 is a bottom plan view thereof; FIG. 7 is a front, top and left side perspective view of a second embodiment of FIG. 1; FIG. 8 is a top plan view of FIG. 7; FIG. 9 is a front elevational view of FIG. 7; FIG. 10 is a right side elevational view of FIG. 7, the left side being a mirror image; FIG. 11 is a rear elevational view of FIG. 7; and, FIG. 12 is a bottom plan view of FIG. 7.

**1 Claim, 2 Drawing Sheets**



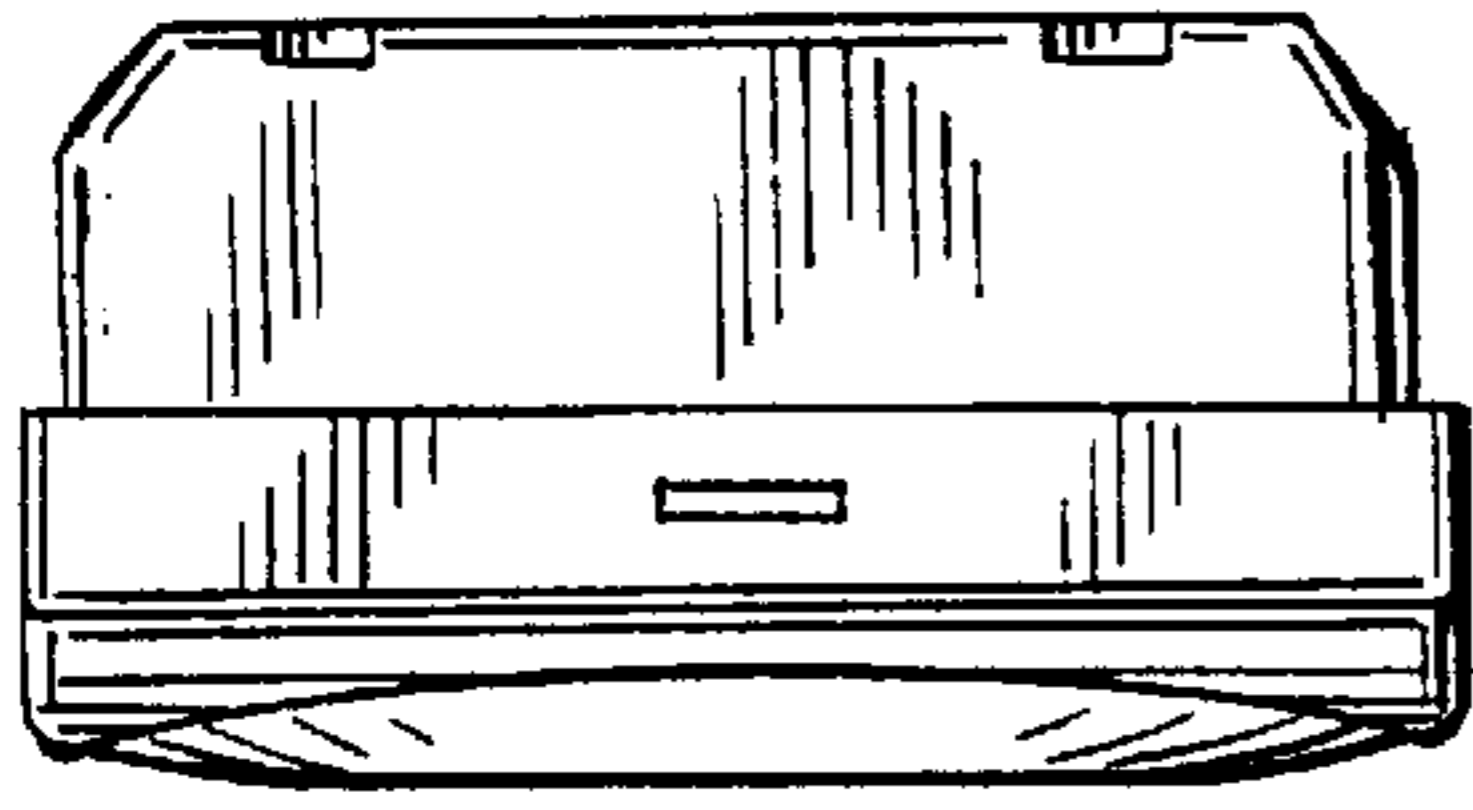


FIG. 2

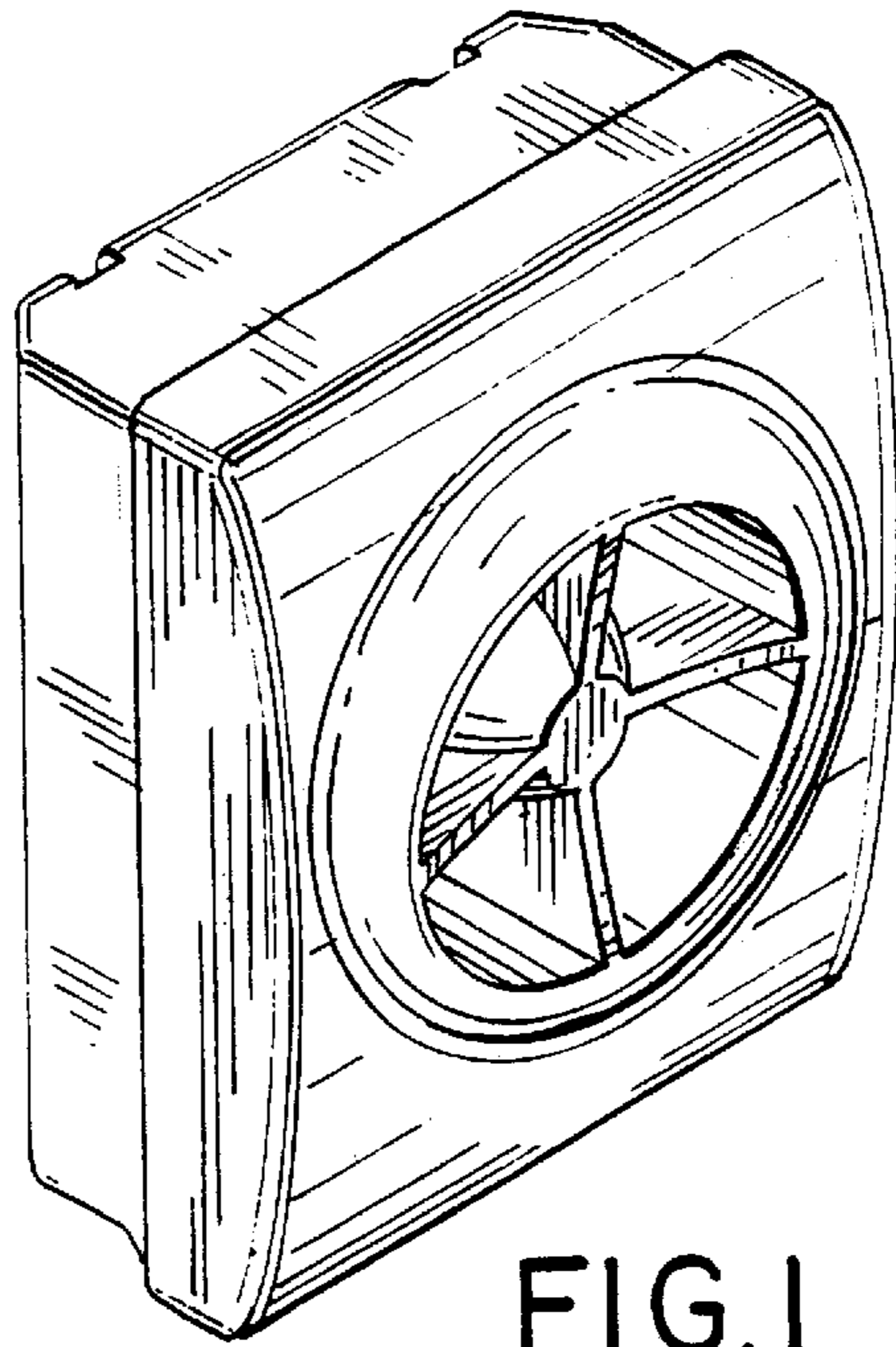


FIG. 1

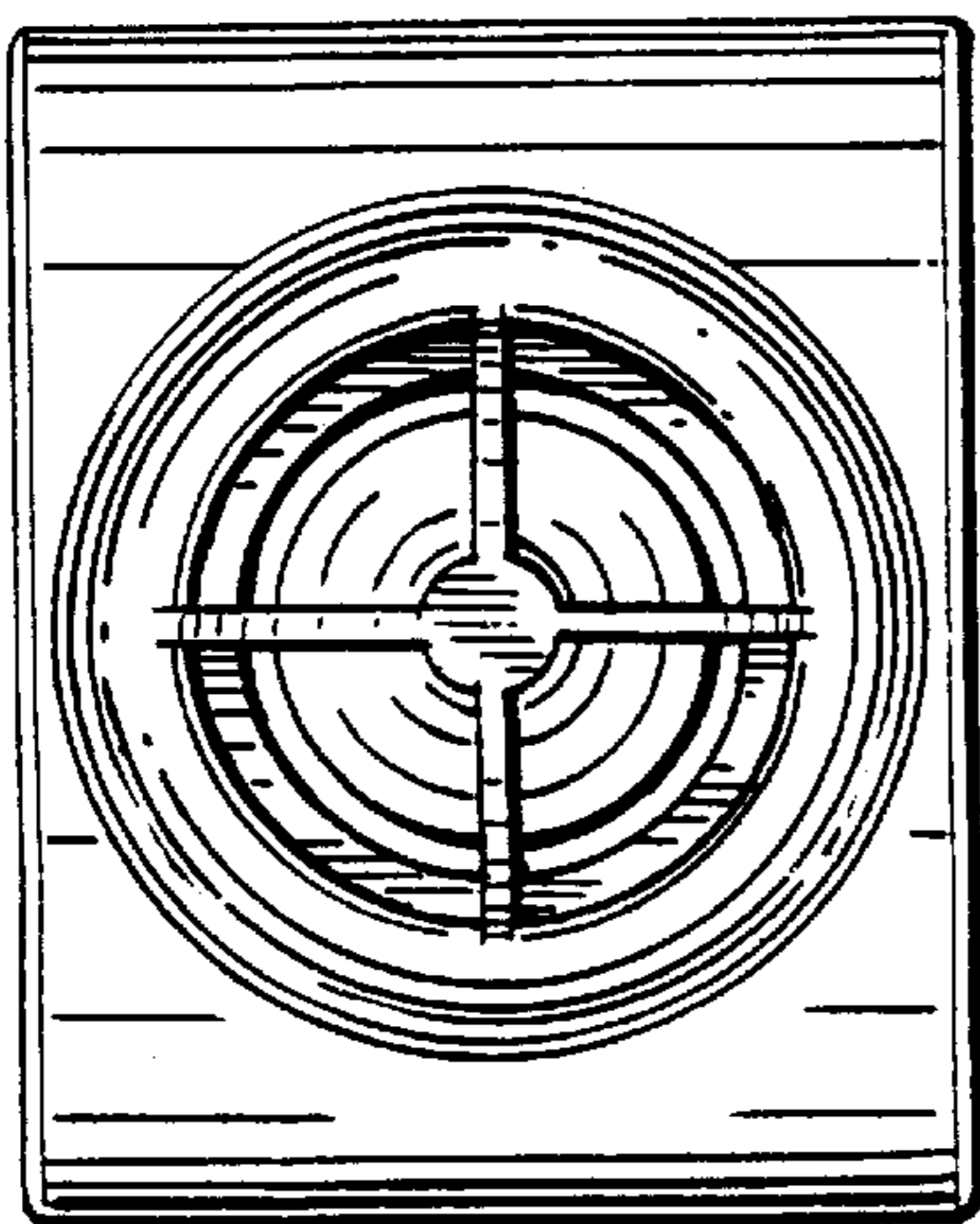


FIG. 3

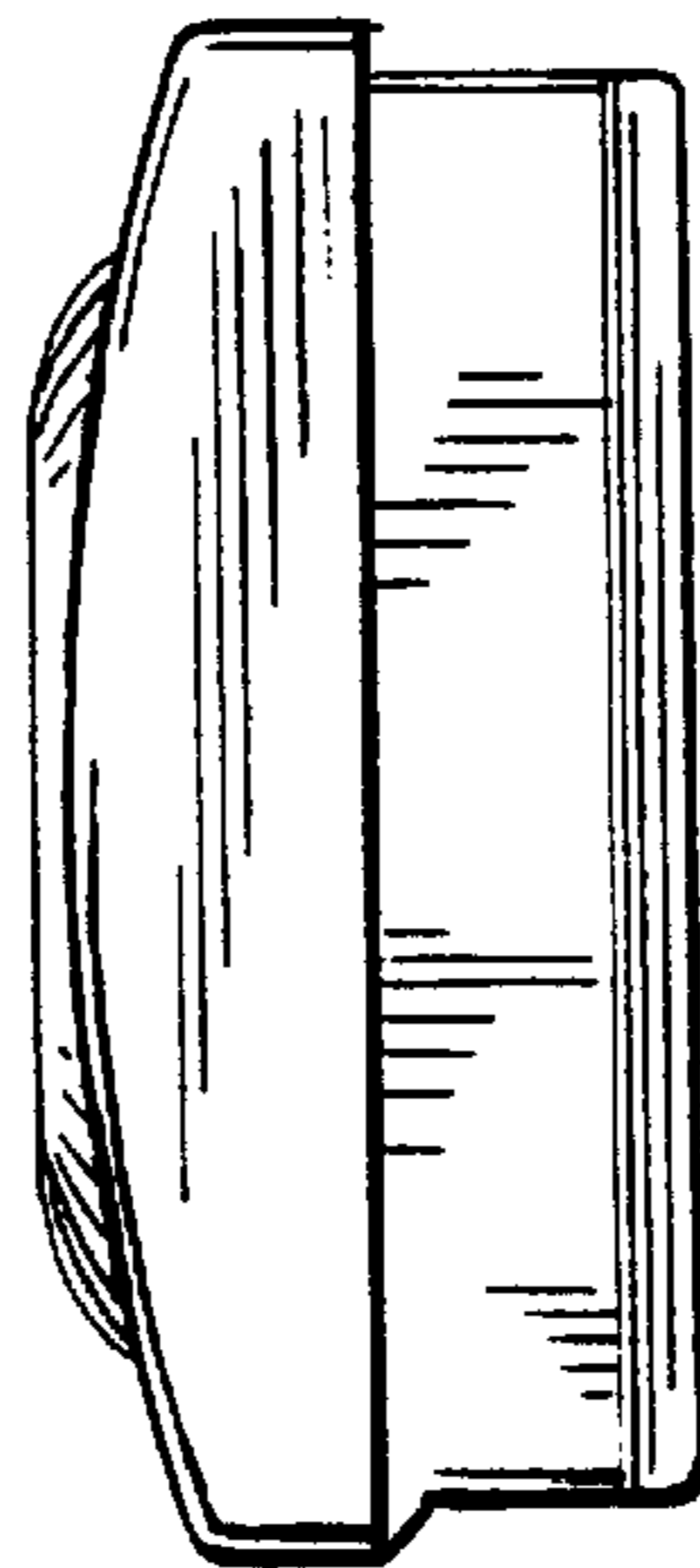


FIG. 4

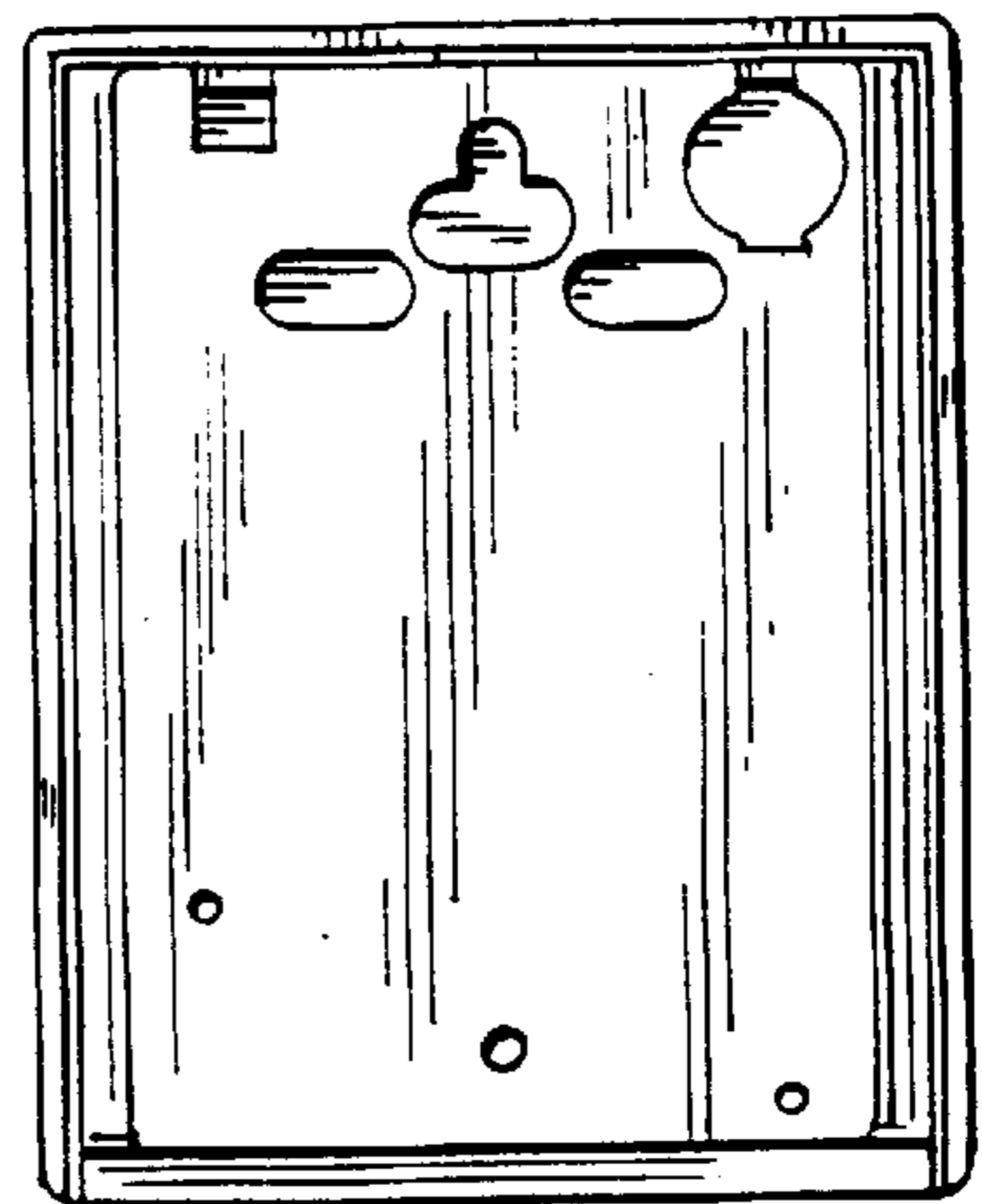


FIG. 5

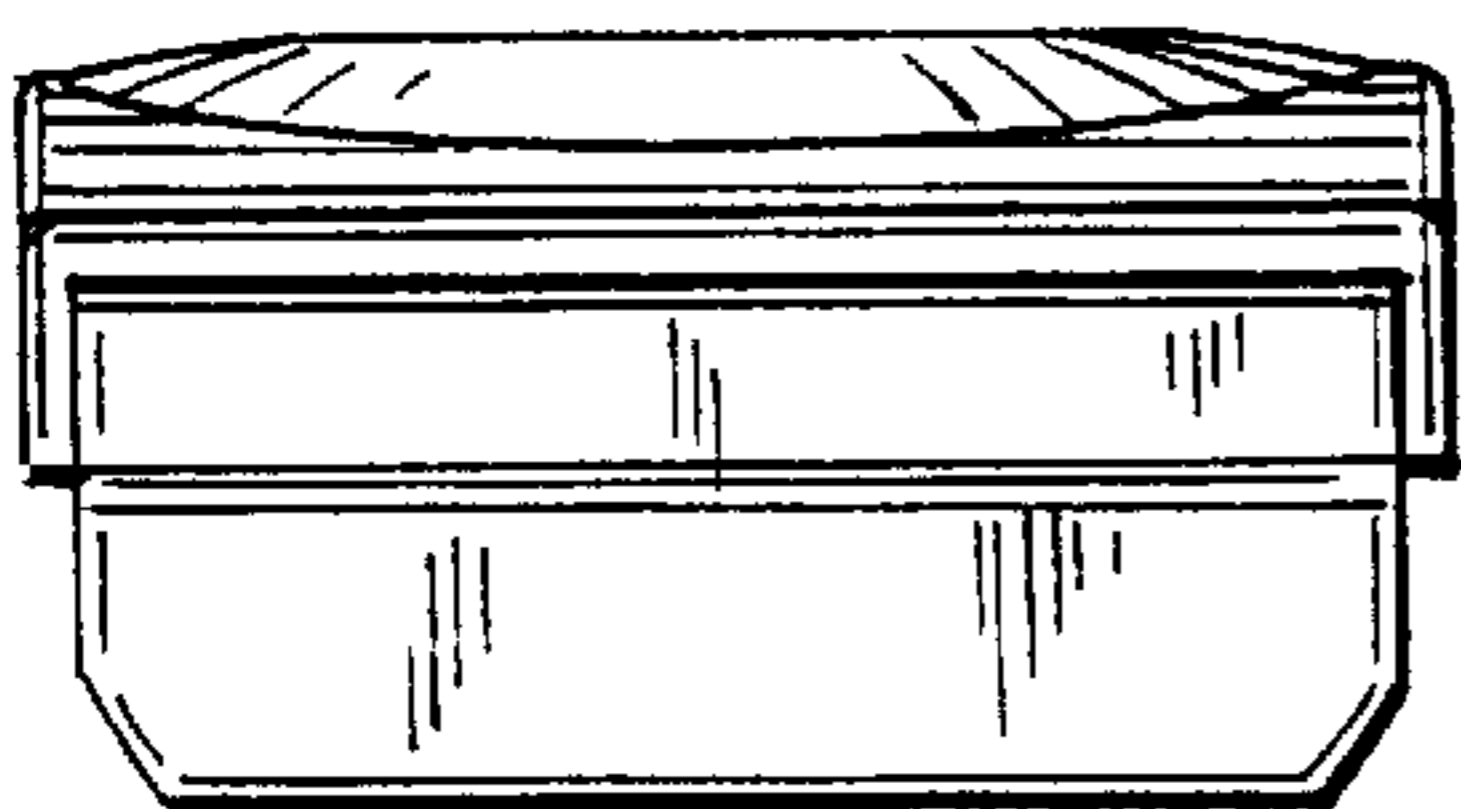


FIG. 6

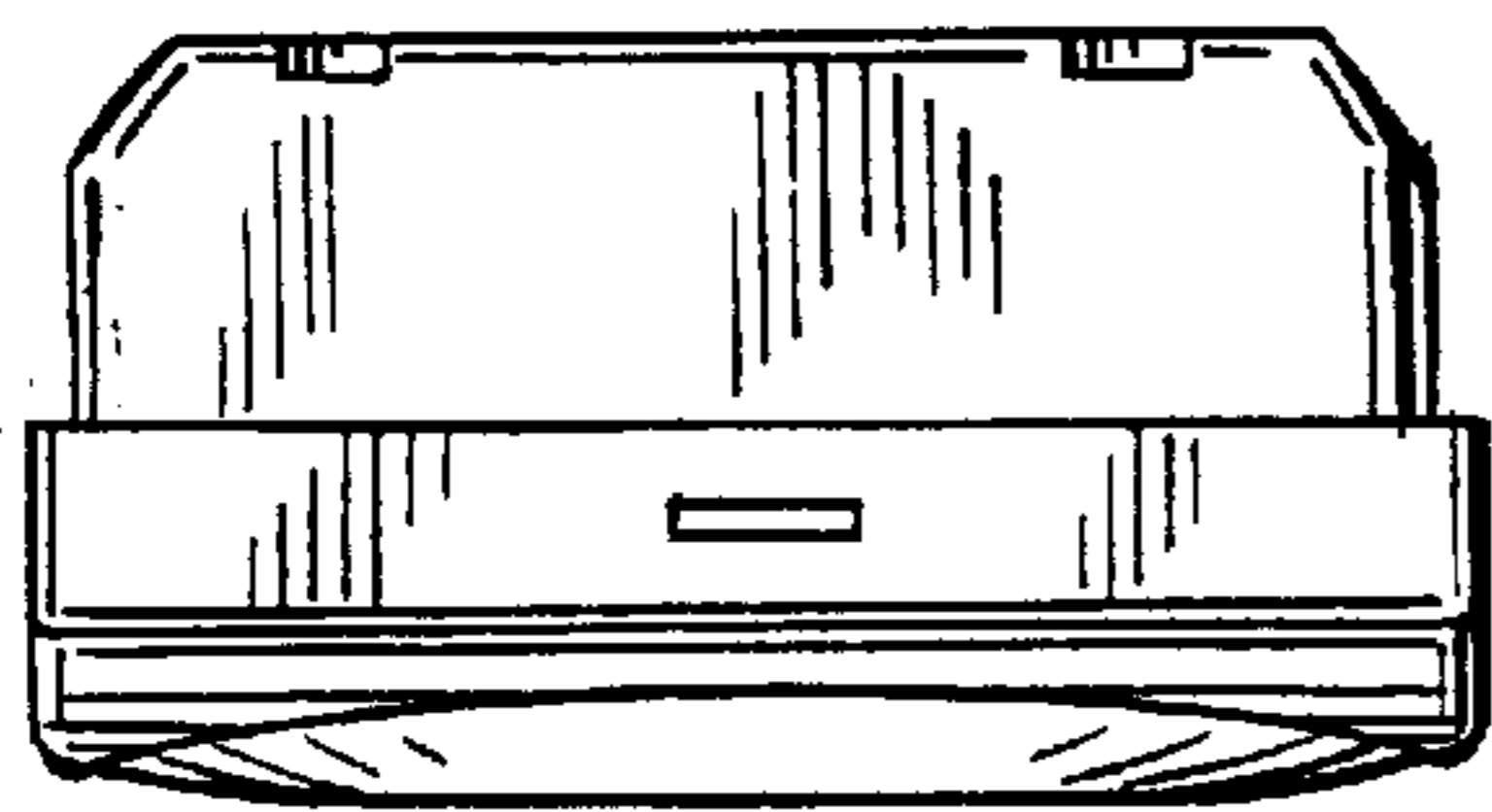


FIG. 8

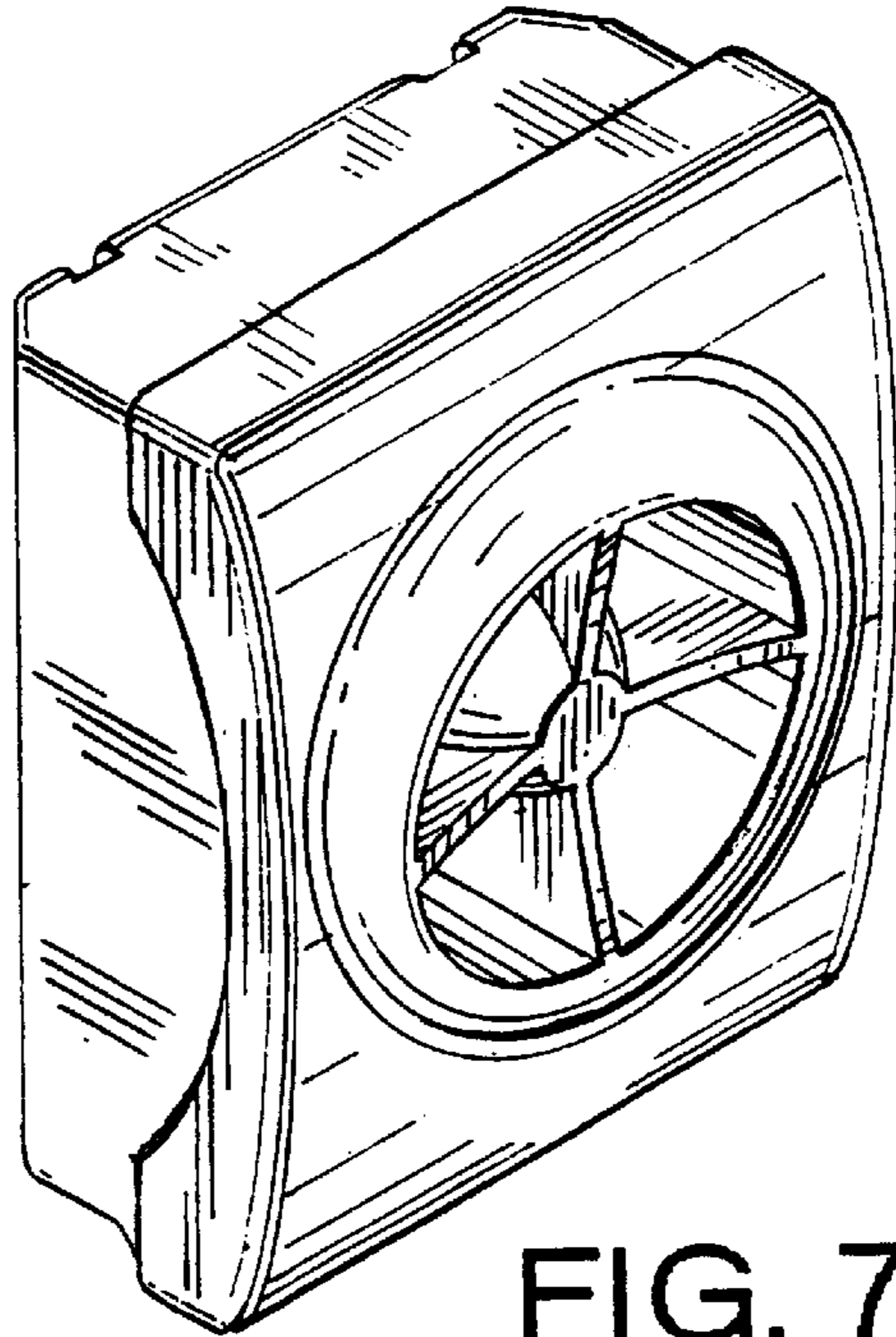


FIG. 7

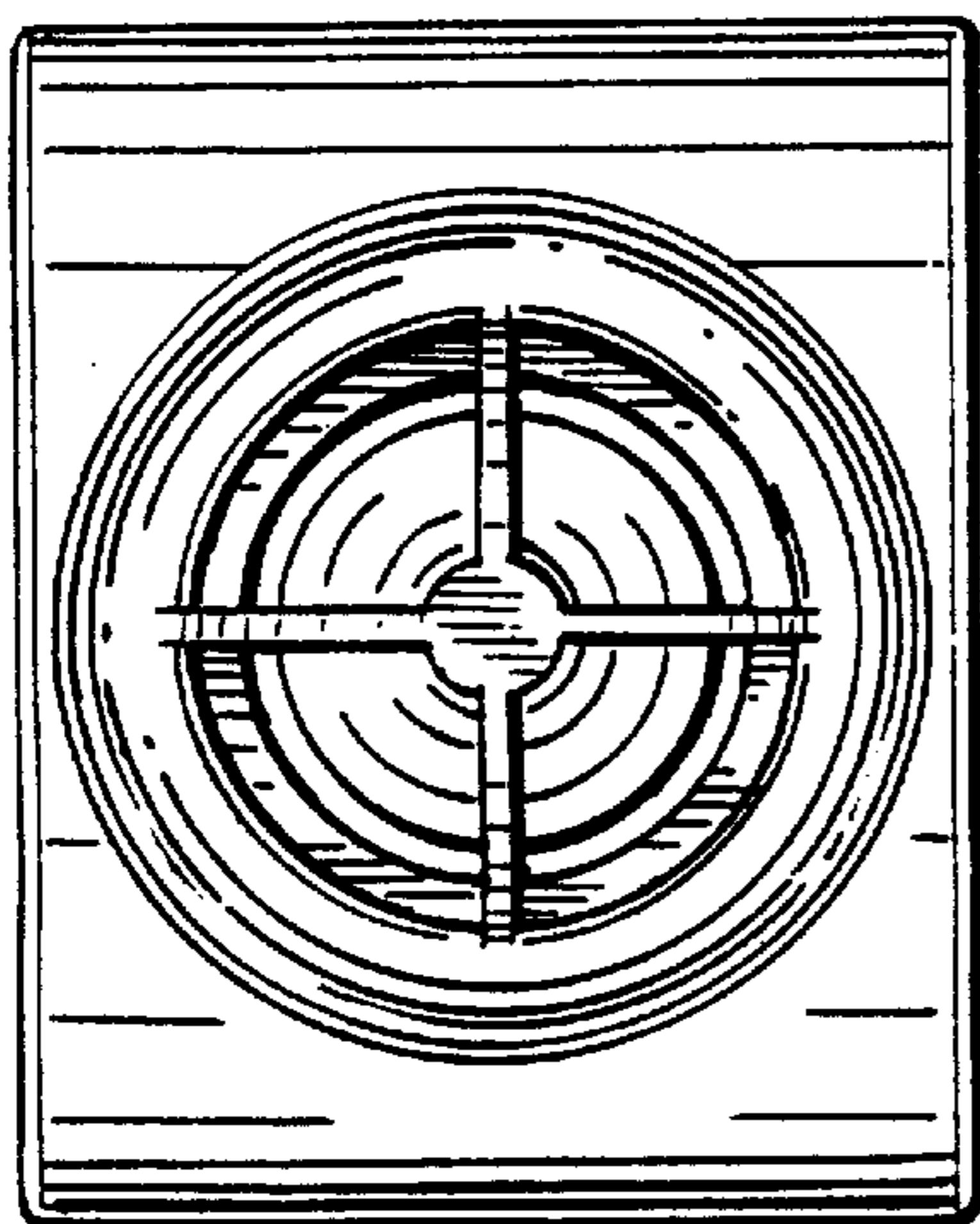


FIG. 9

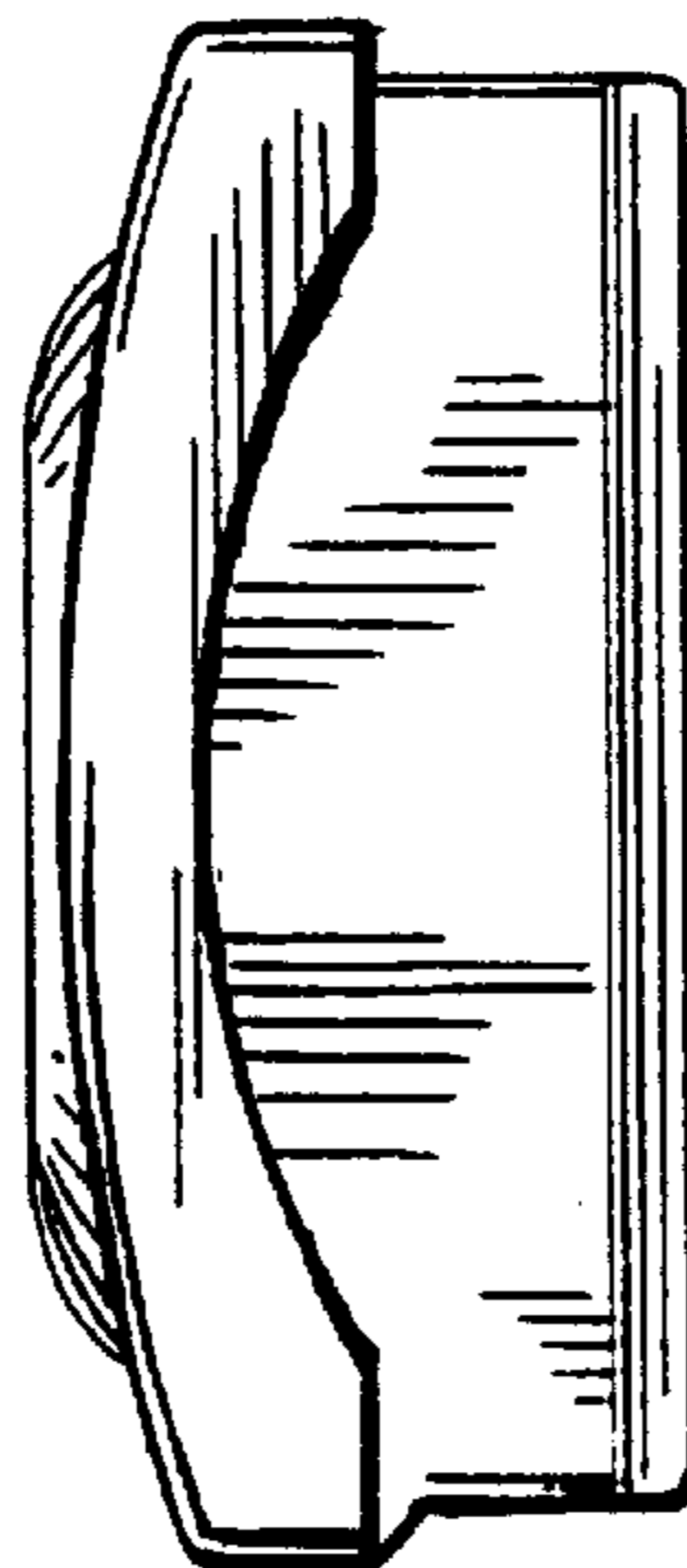


FIG. 10

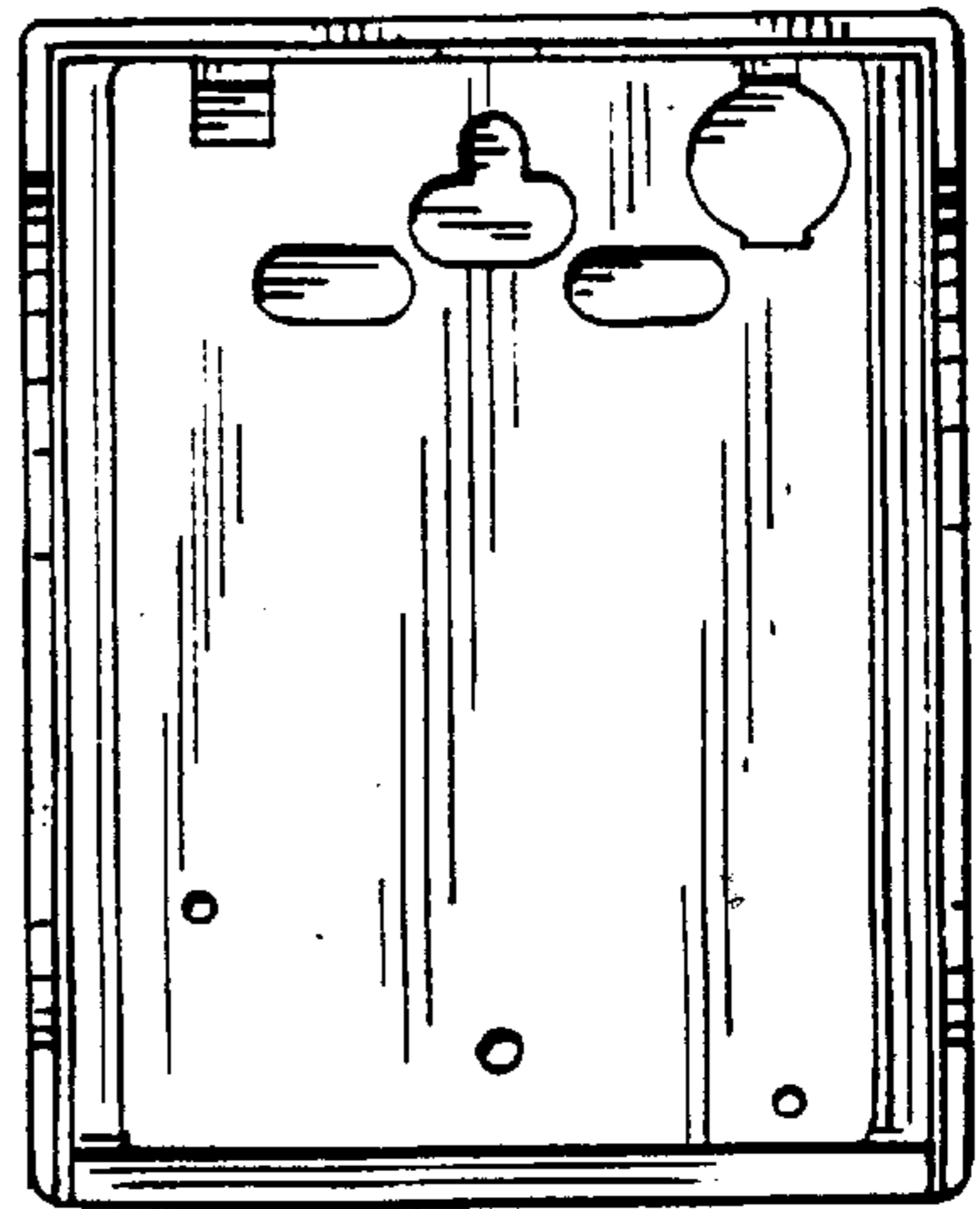


FIG. 11

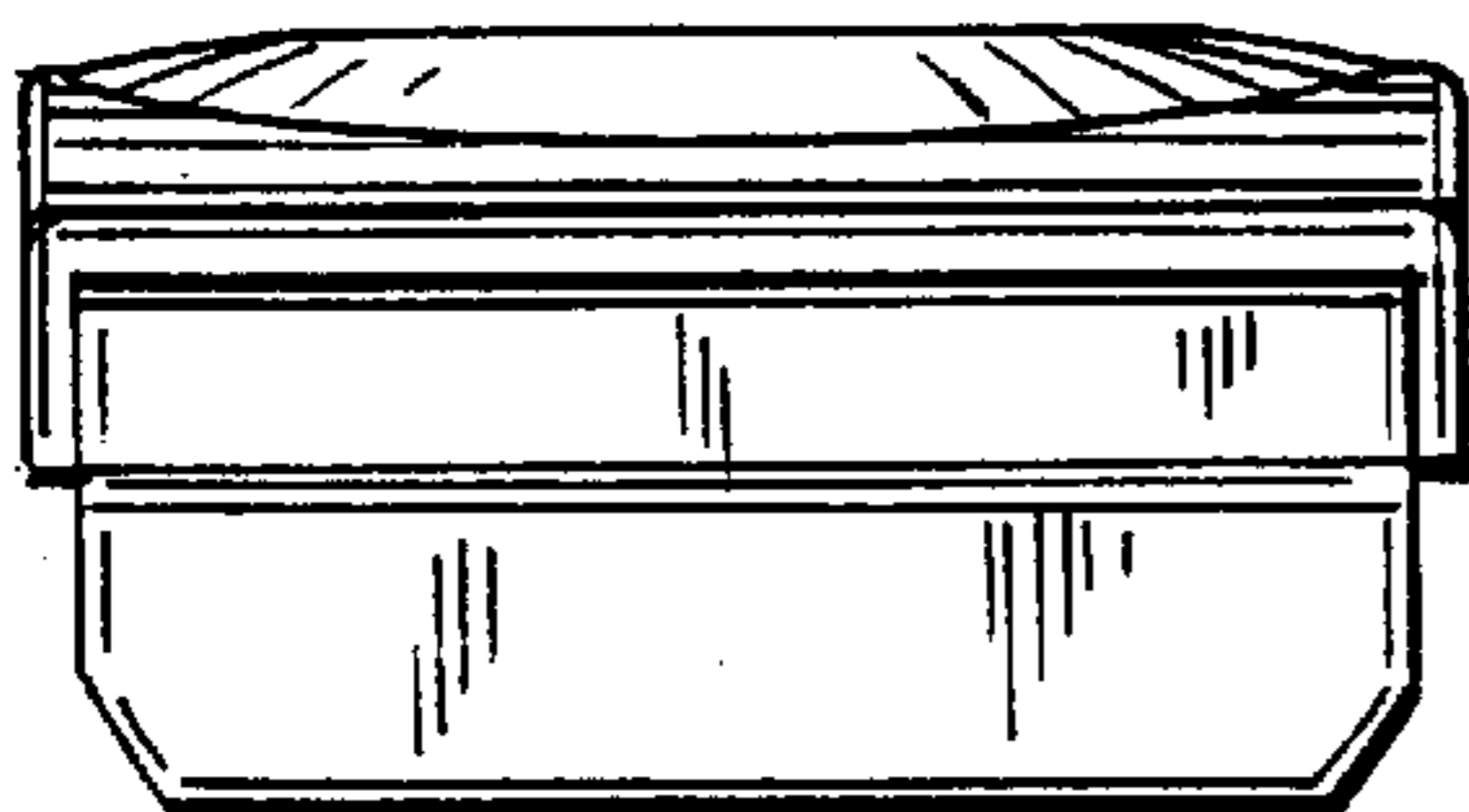


FIG. 12