



US00D409195S

United States Patent [19]

[11] Patent Number: **Des. 409,195**

Halstead et al.

[45] Date of Patent: **** May 4, 1999**

[54] **PAGER**

D. 346,167 4/1994 Hyvonen D14/191
D. 353,593 12/1994 Hayasaka et al. D14/191
D. 369,808 5/1996 Hon et al. D14/191

[75] Inventors: **Whitfield G. Halstead**, Los Altos;
Henry Madden, Modesto, both of Calif.

Primary Examiner—Philip S. Hyder
Assistant Examiner—Nanda Bondade
Attorney, Agent, or Firm—Blakely, Sokoloff, Taylor & Zafman LLP

[73] Assignee: **Wireless Access, Inc.**, Santa Clara, Calif.

[**] Term: **14 Years**

[57] CLAIM

[21] Appl. No.: **29/072,280**

The ornamental design for a pager, as shown and described.

[22] Filed: **Jun. 13, 1997**

DESCRIPTION

Related U.S. Application Data

FIG. 1 is a perspective view of a pager showing our new design;
FIG. 2 is a top view thereof;
FIG. 3 is a front view thereof;
FIG. 4 is a right side view thereof;
FIG. 5 is a left side view thereof;
FIG. 6 is a back view thereof;
FIG. 7 is a bottom view thereof; and,
FIG. 8 is a top view of an alternative embodiment of the present invention.

[63] Continuation-in-part of application No. 29/045,104, Oct. 10, 1995, Pat. No. Des. 388,059.

[51] **LOC (6) Cl.** **14-03**

[52] **U.S. Cl.** **D14/191**

[58] **Field of Search** D14/124, 188,
D14/191, 192, 299; 340/311.1; 455/381-384,
90, 92, 100, 128, 344

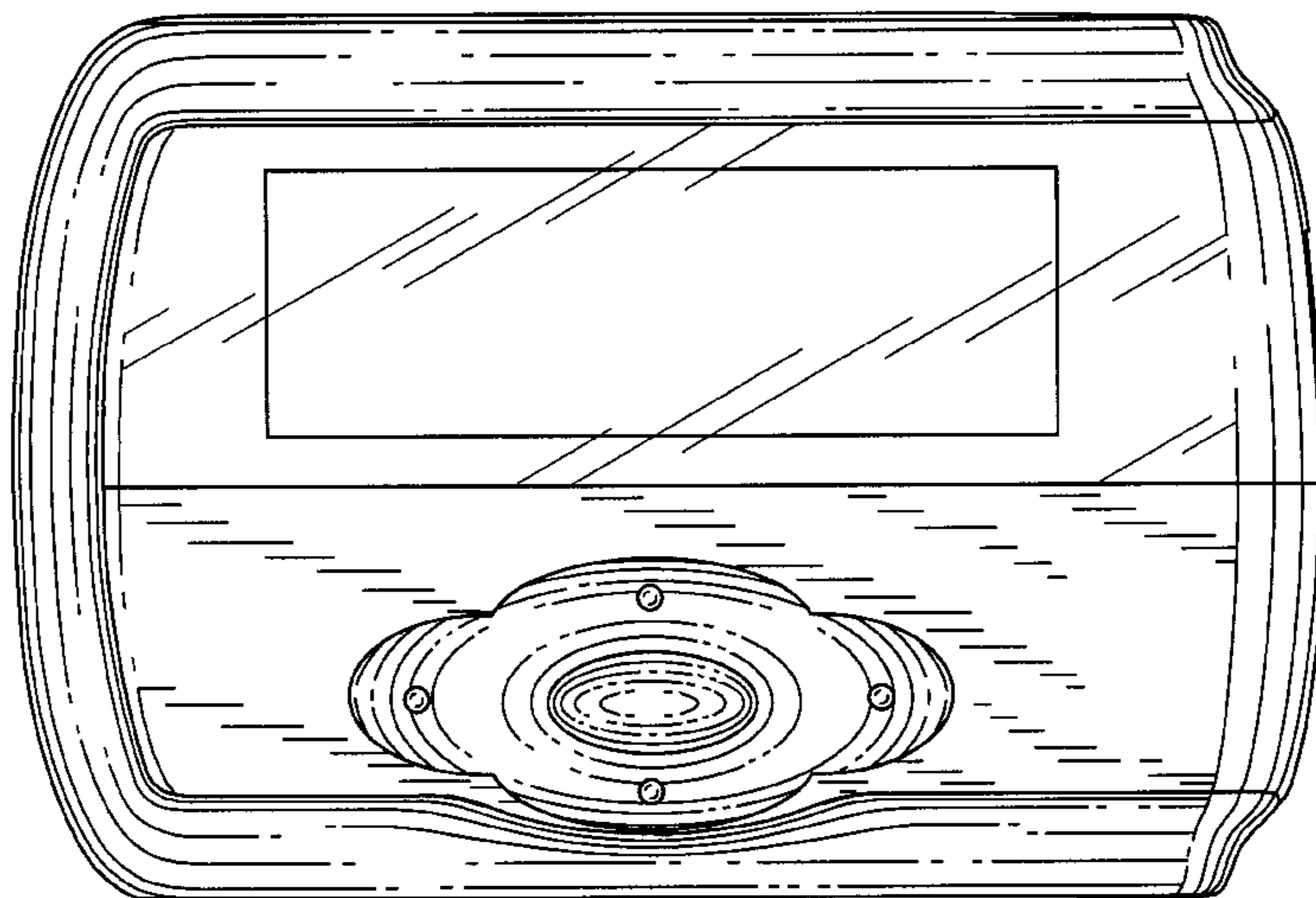
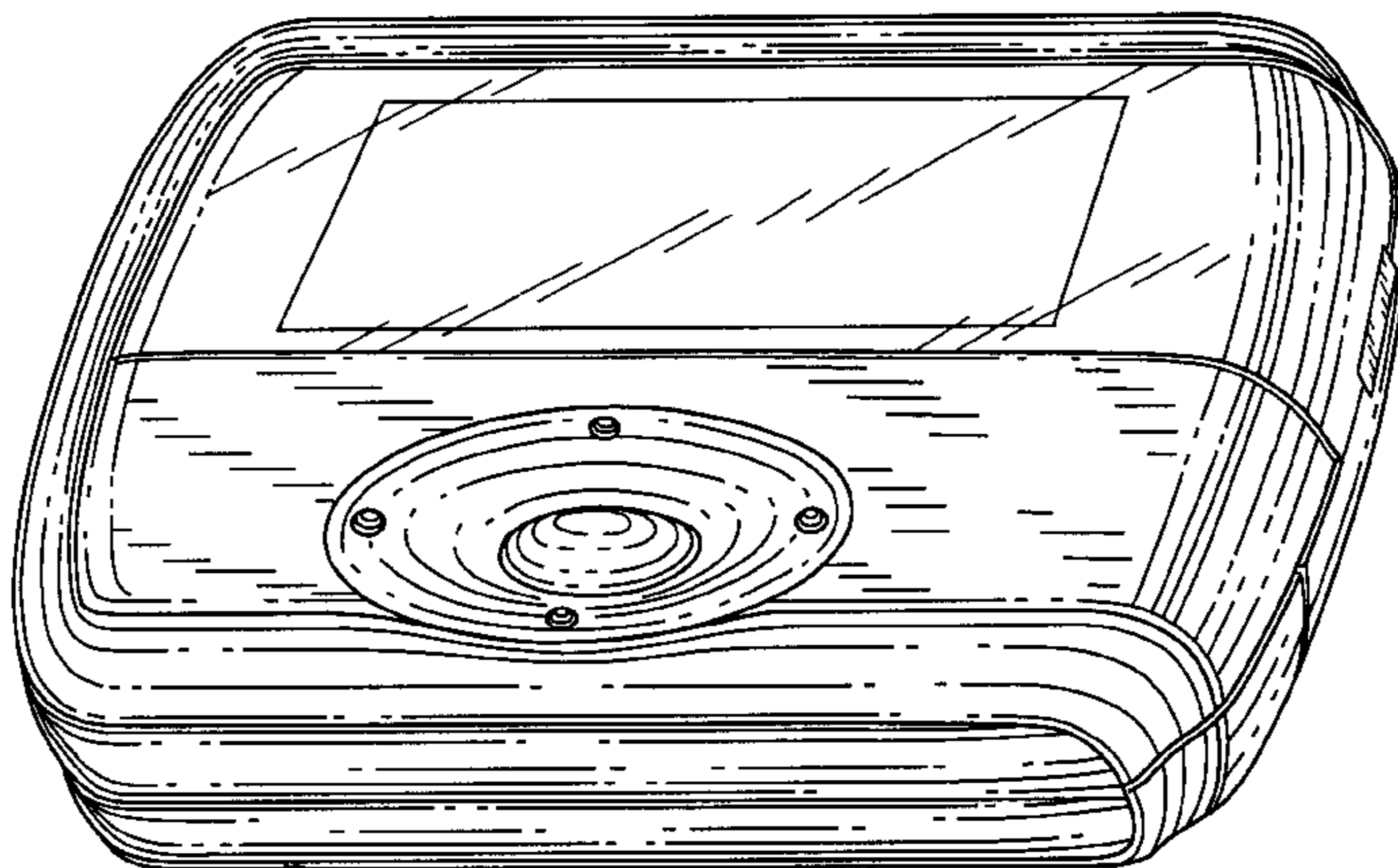
The remaining views of the second embodiment are the same as the first embodiment, except for the button details.

[56] References Cited

U.S. PATENT DOCUMENTS

D. 325,912 5/1992 Takahashi et al. D14/191

1 Claim, 5 Drawing Sheets



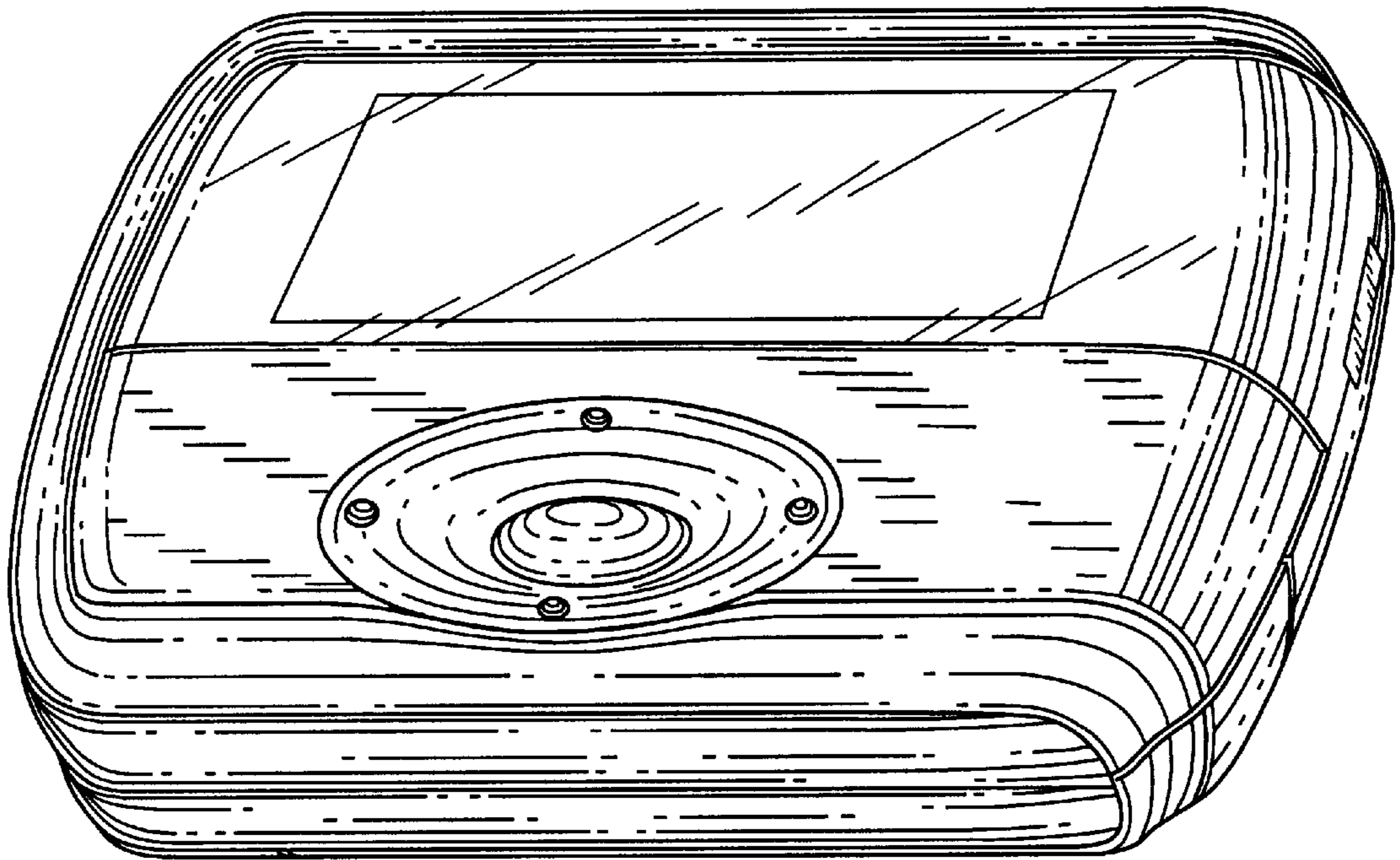


FIG. 1

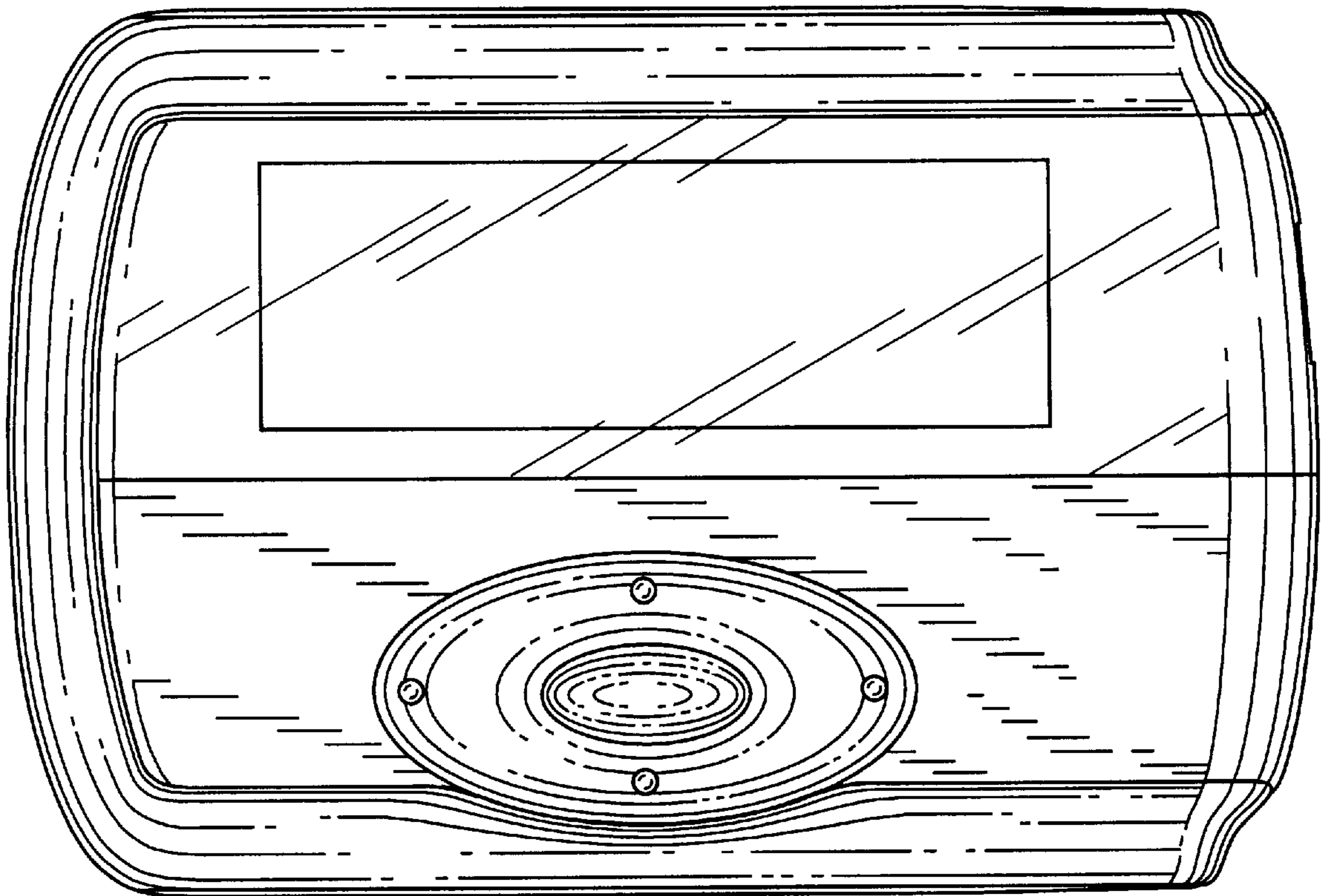


FIG. 2

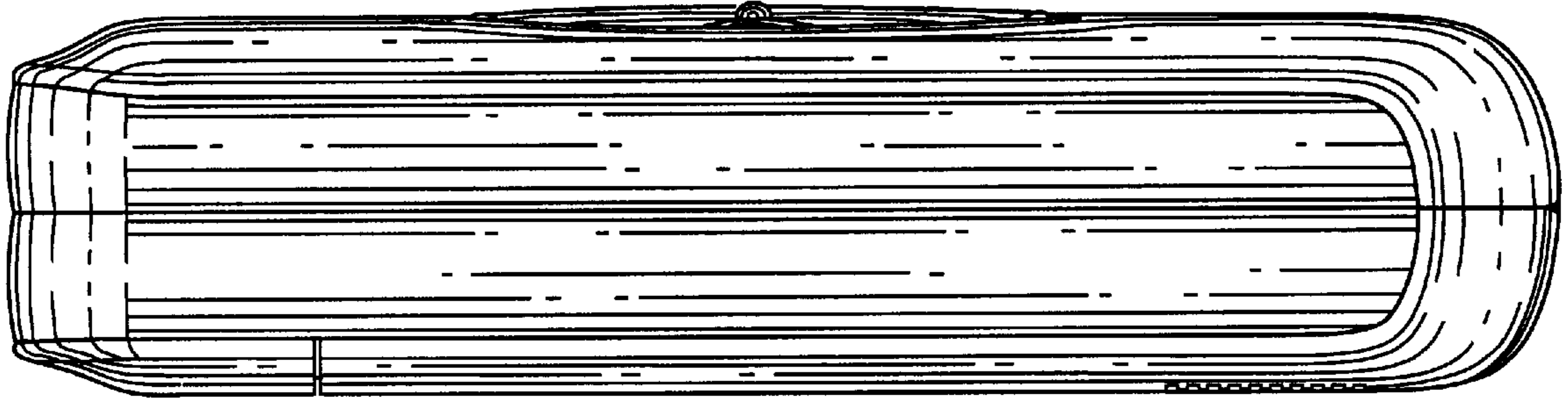


FIG. 3

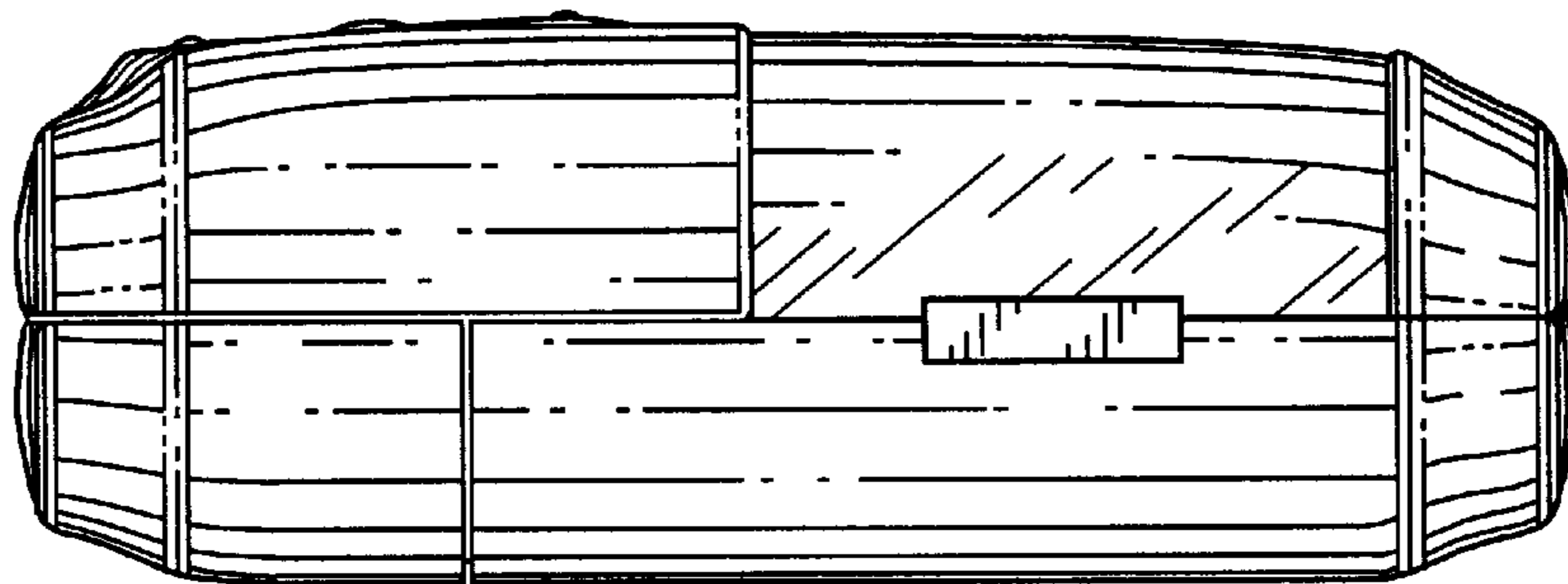


FIG. 4

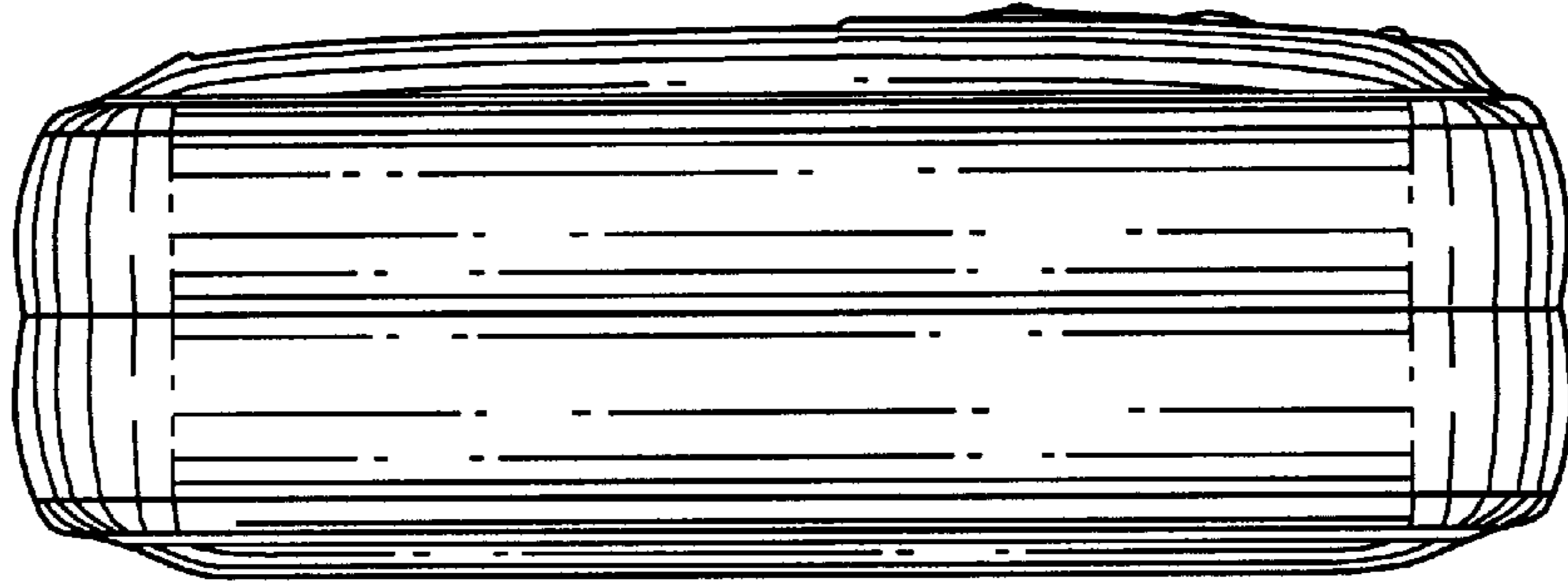


FIG. 5

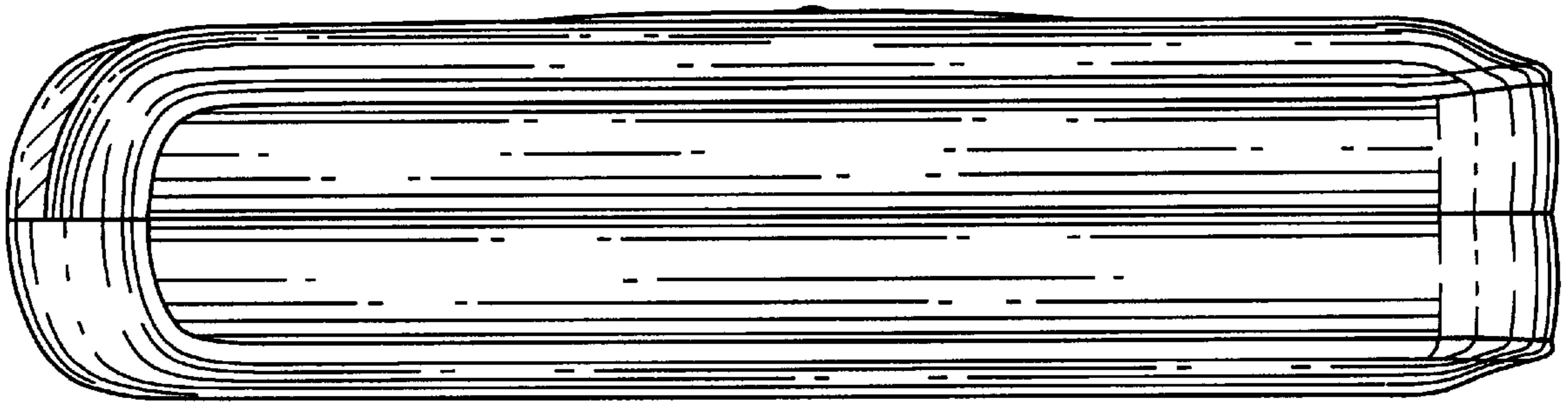


FIG. 6

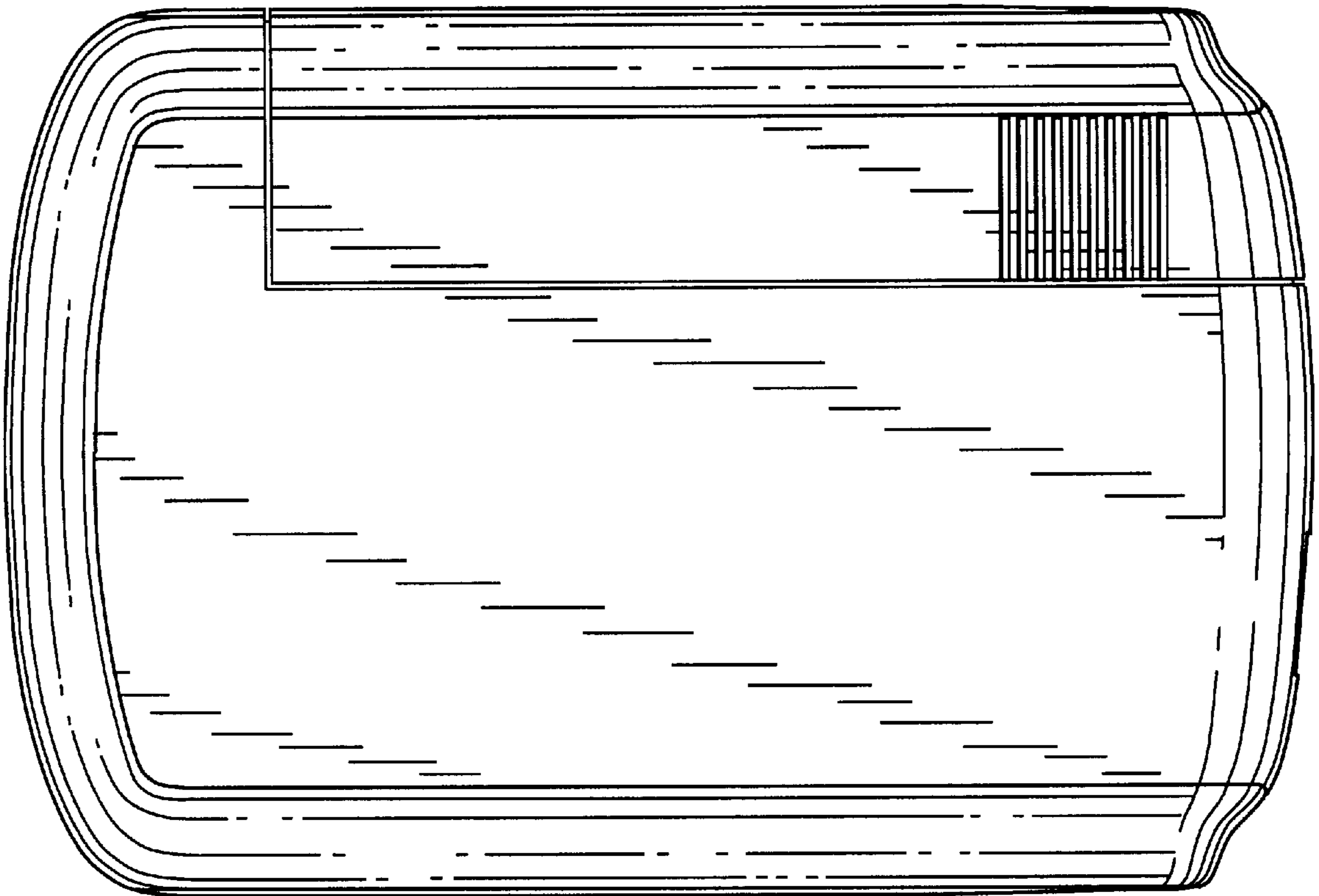


FIG. 7

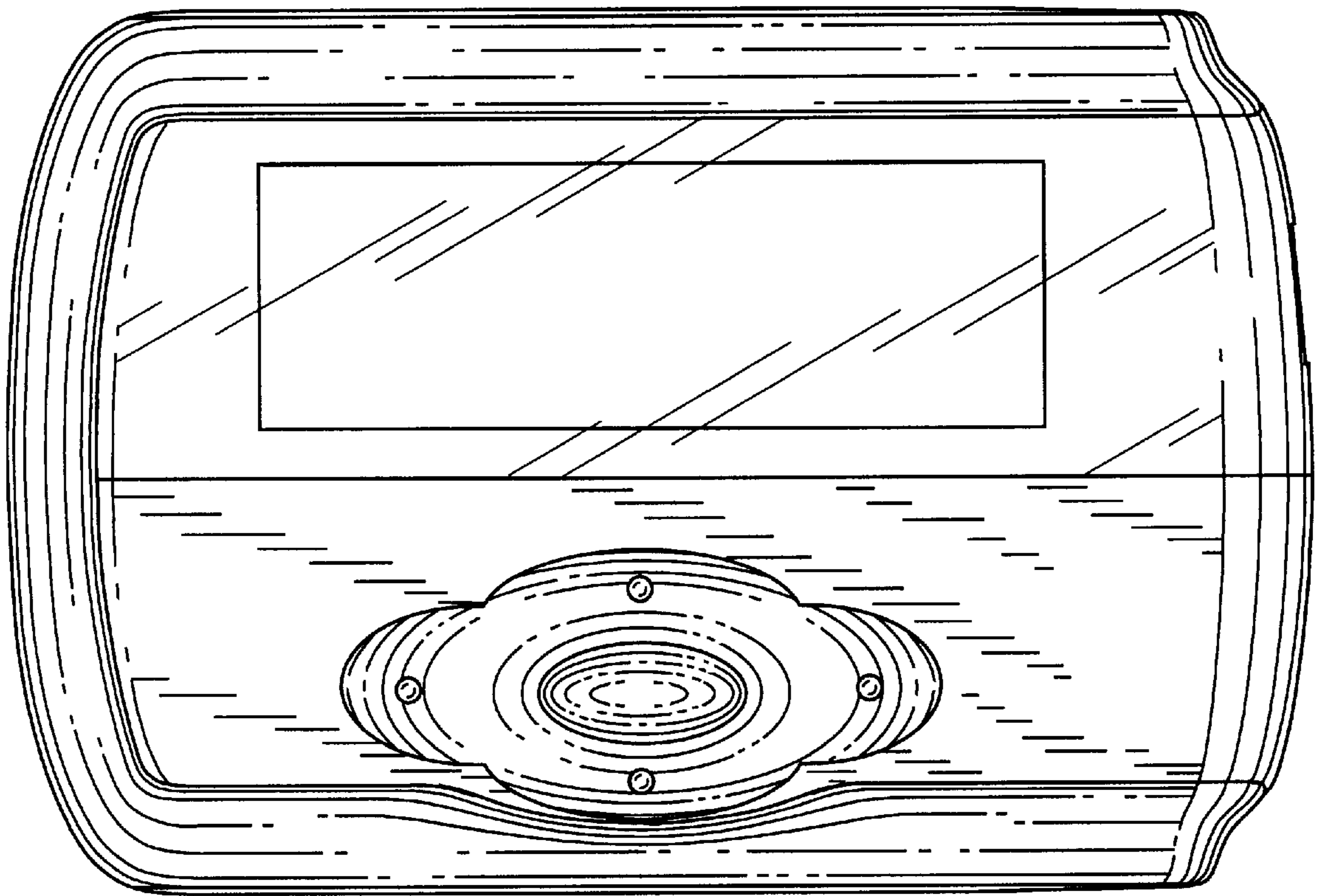


FIG. 8