



US00D409193S

# United States Patent [19]

[11] **Patent Number: Des. 409,193**

**Mott et al.**

[45] **Date of Patent: \*\*May 4, 1999**

[54] **PROGRAMMABLE AUDIO PLAYER**

[57] **CLAIM**

[75] Inventors: **Tim Mott**, Ketchum, Id.; **Don Katz**, Montclair, N.J.; **Guy Story**, New York, N.Y.; **Scott Brenneman**, Menlo Park; **Thomas Overthun**, San Francisco, both of Calif.

The ornamental design for a programmable audio player, as shown and described.

[73] Assignee: **Audible, Inc.**, Wayne, N.J.

**DESCRIPTION**

[\*\*] Term: **14 Years**

FIG. 1 is a perspective view of a programmable audio player, showing a preferred embodiment of our new ornamental design.

[21] Appl. No.: **29/079,000**

FIG. 2 is a front view of a programmable audio player, showing a preferred embodiment of our new ornamental design.

[22] Filed: **Nov. 6, 1997**

FIG. 3 is a right side view of a programmable audio player, showing a preferred embodiment of our new ornamental design.

[51] **LOC (6) Cl. .... 14-01**

FIG. 4 is a left side view of a programmable audio player, showing a preferred embodiment of our new ornamental design.

[52] **U.S. Cl. .... D14/160; D14/167**

FIG. 5 is a top view of a programmable audio player, showing a preferred embodiment of our new ornamental design.

[58] **Field of Search .... D14/160-165, D14/167-168, 172, 188, 189, 192-198, 217, 299; 455/344, 347-351**

FIG. 6 is a bottom view of a programmable audio player, showing a preferred embodiment of our new design.

[56] **References Cited**

**U.S. PATENT DOCUMENTS**

D. 306,589	3/1990	Murayama	.....	D14/156
D. 366,874	2/1996	Robinson et al.	.....	D14/163
D. 370,484	6/1996	Williamson et al.	.....	D14/172 X
D. 379,456	5/1997	Osiecki	.....	D14/167
3,871,112	3/1975	Licitis	.....	D14/168 X

FIG. 7 is a back view of a programmable audio player, showing a preferred embodiment of our new ornamental design.

*Primary Examiner*—Ted Shooman

FIG. 8 is a reduced right side view thereof, shown in an alternate position.

*Assistant Examiner*—Nanda Bondade

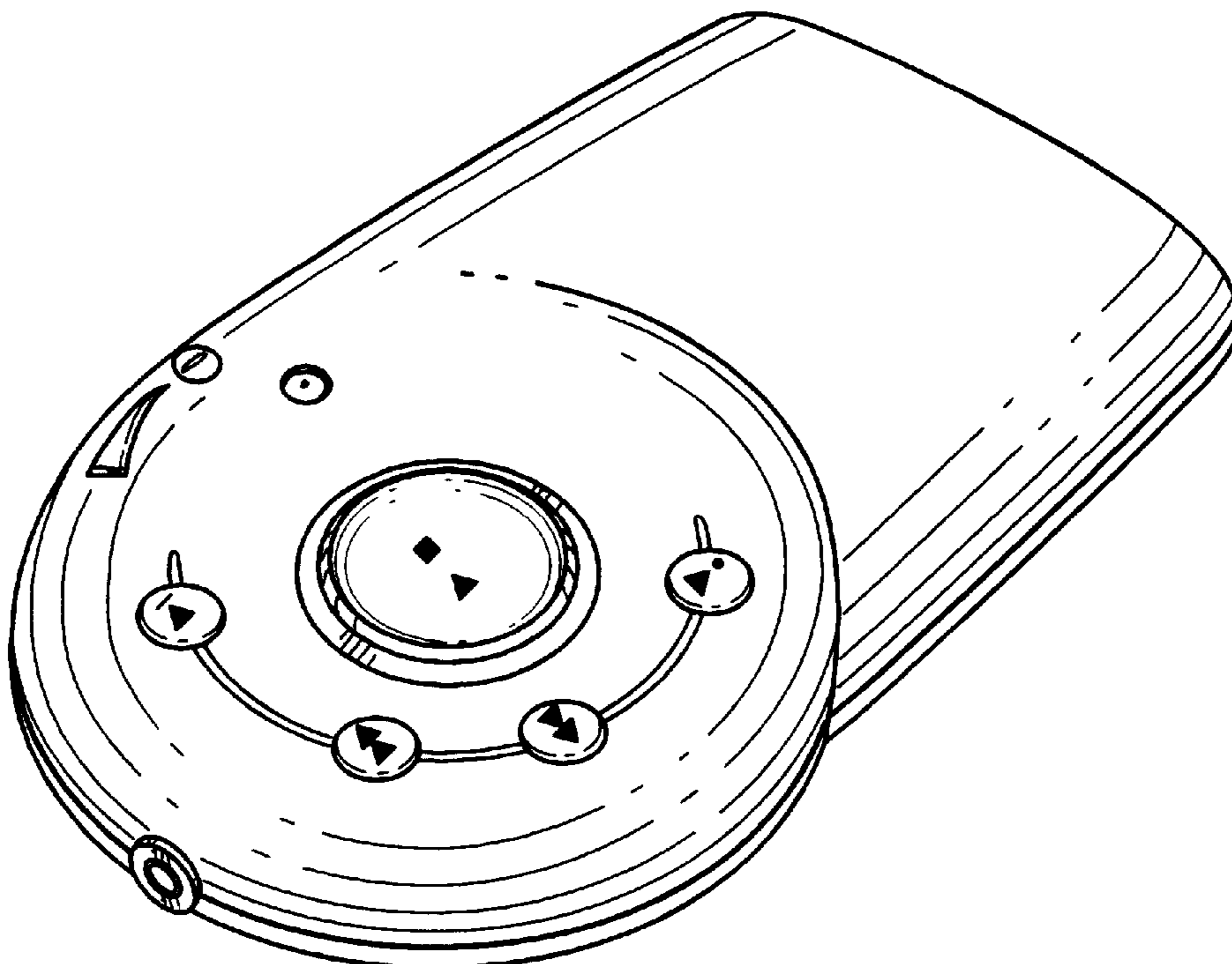
FIG. 9 is a front view thereof; and,

*Attorney, Agent, or Firm*—Blakely, Sokoloff, Taylor & Zafman LLP

FIG. 10 is a perspective view thereof.

The broken line showing of the charging unit in FIGS. 8-10 is for illustrative purposes only and forms no part of the claimed design.

**1 Claim, 5 Drawing Sheets**



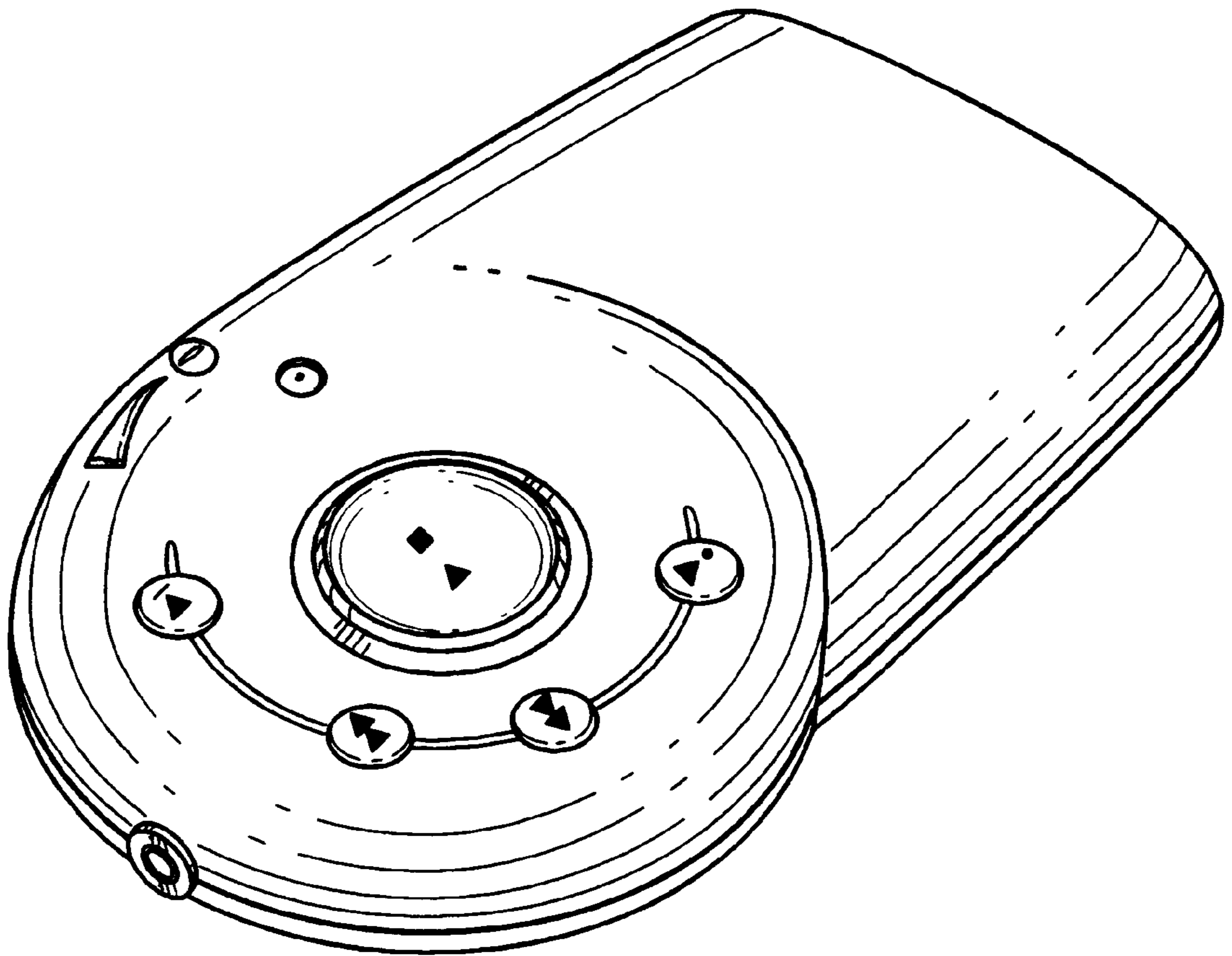


FIG. 1

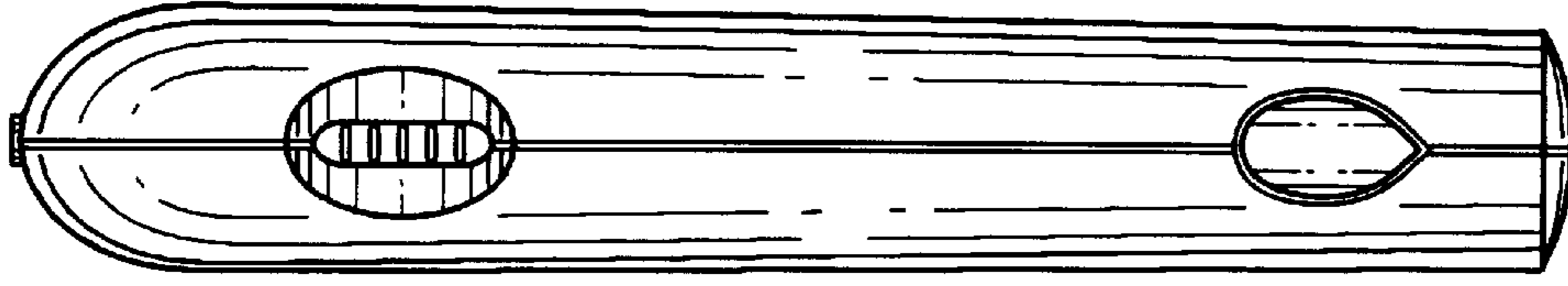


FIG. 3

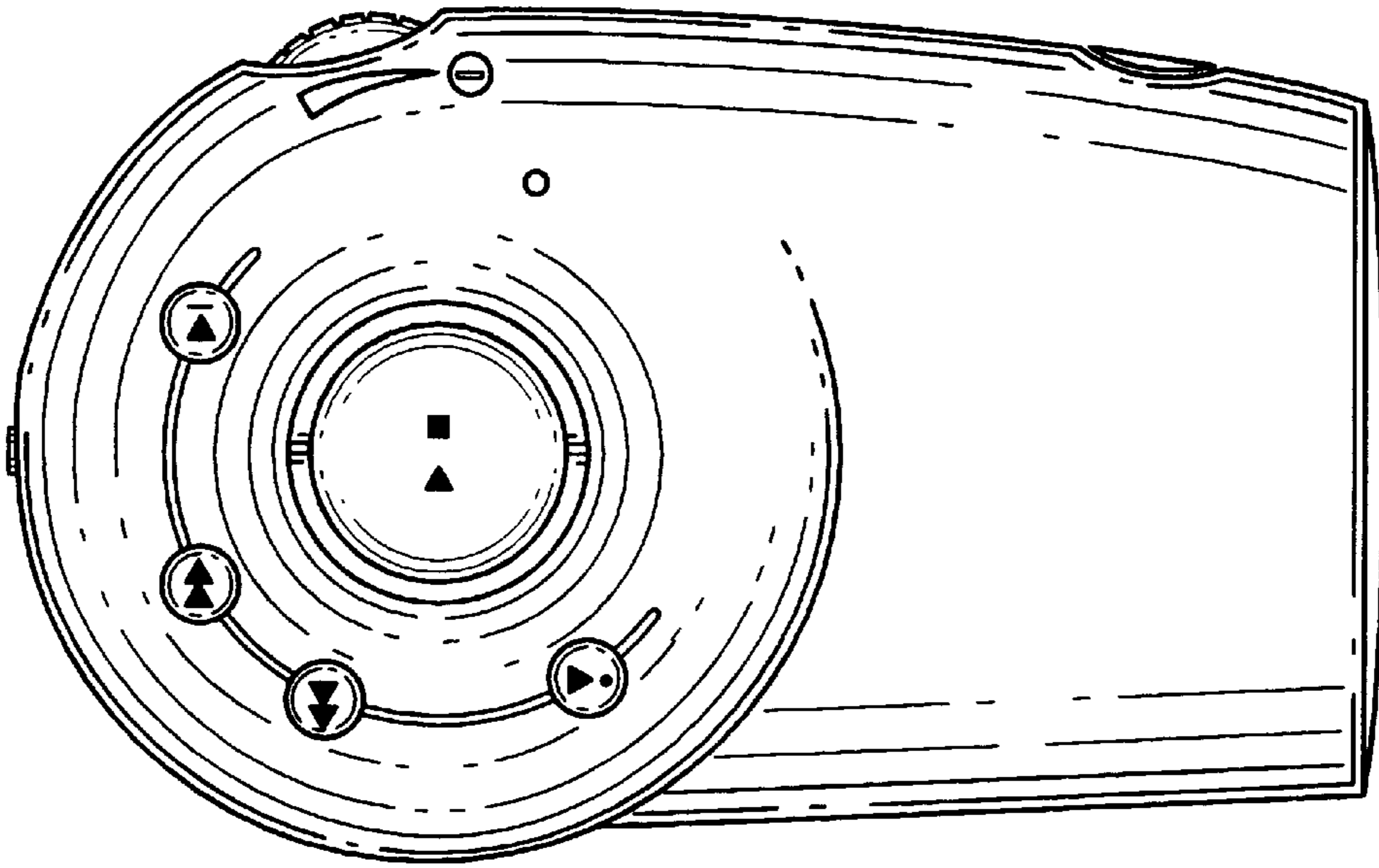


FIG. 2

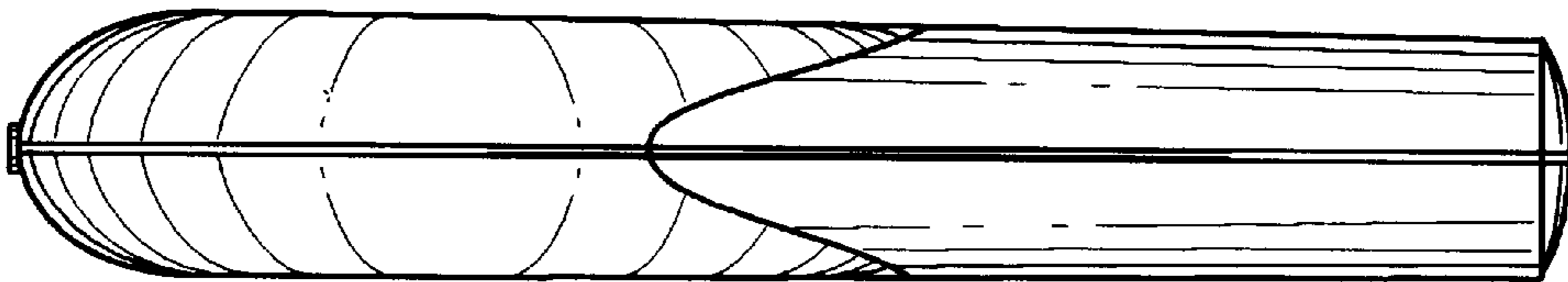


FIG. 4

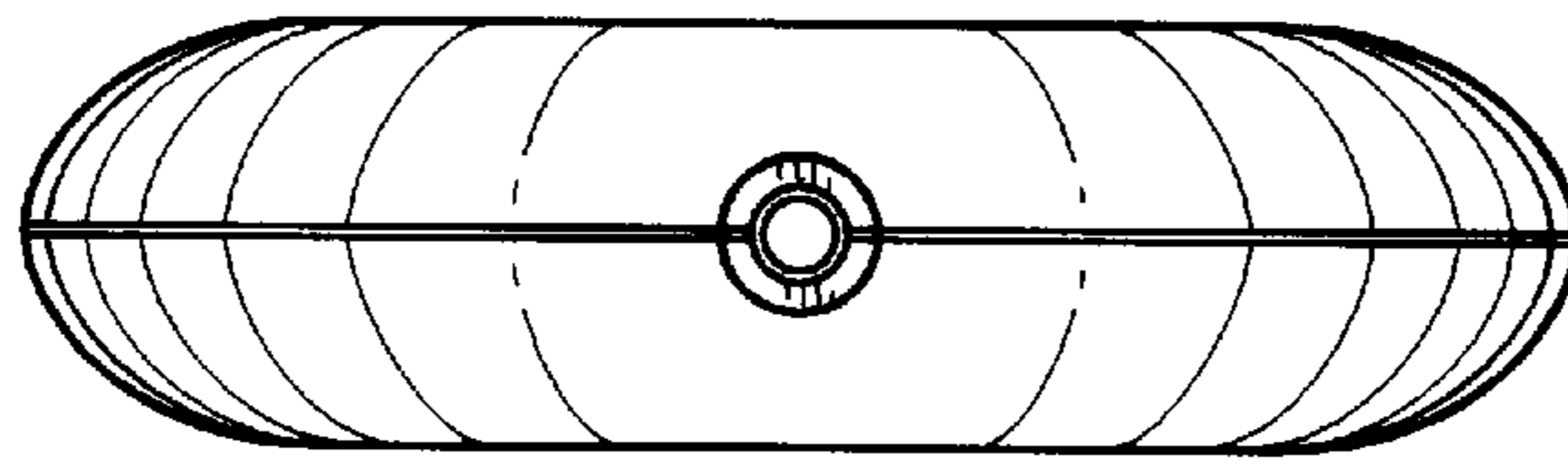


FIG. 5

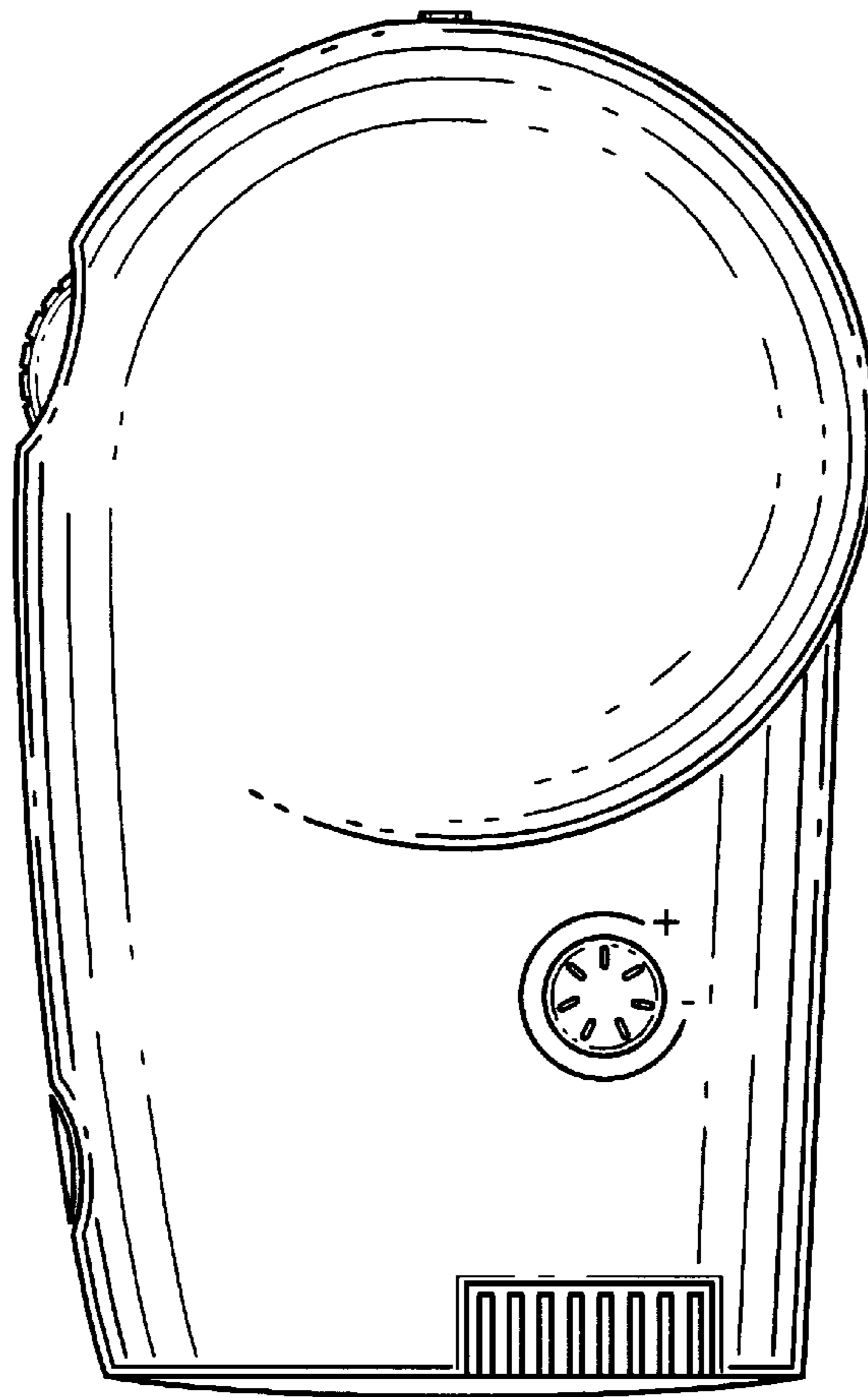


FIG. 7

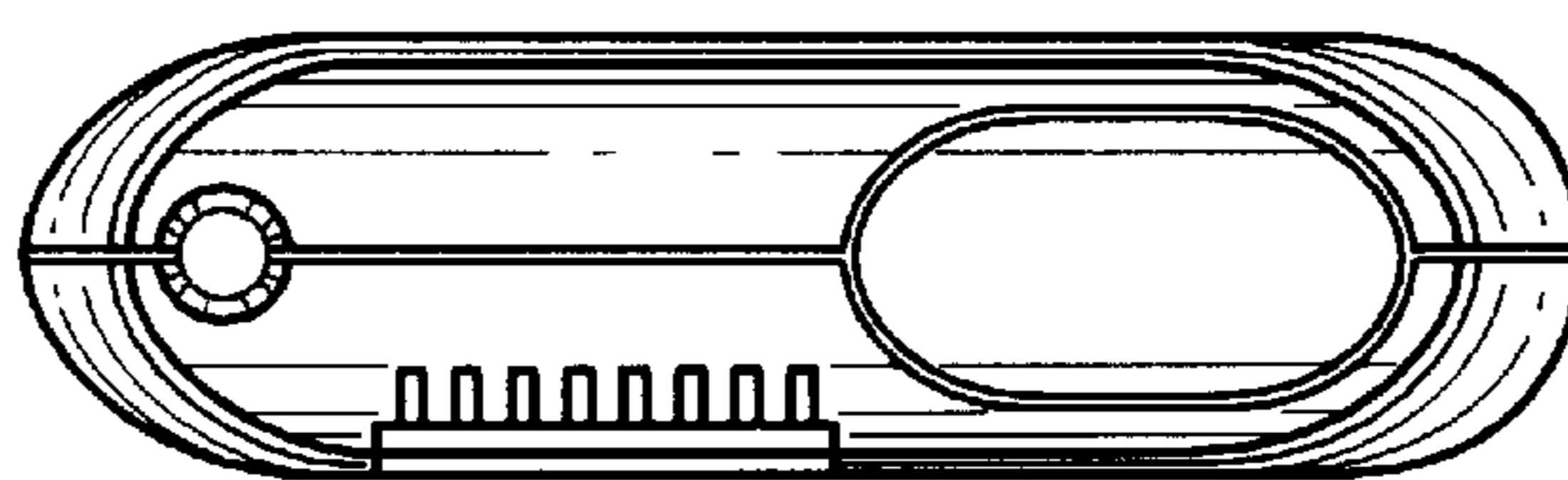


FIG. 6

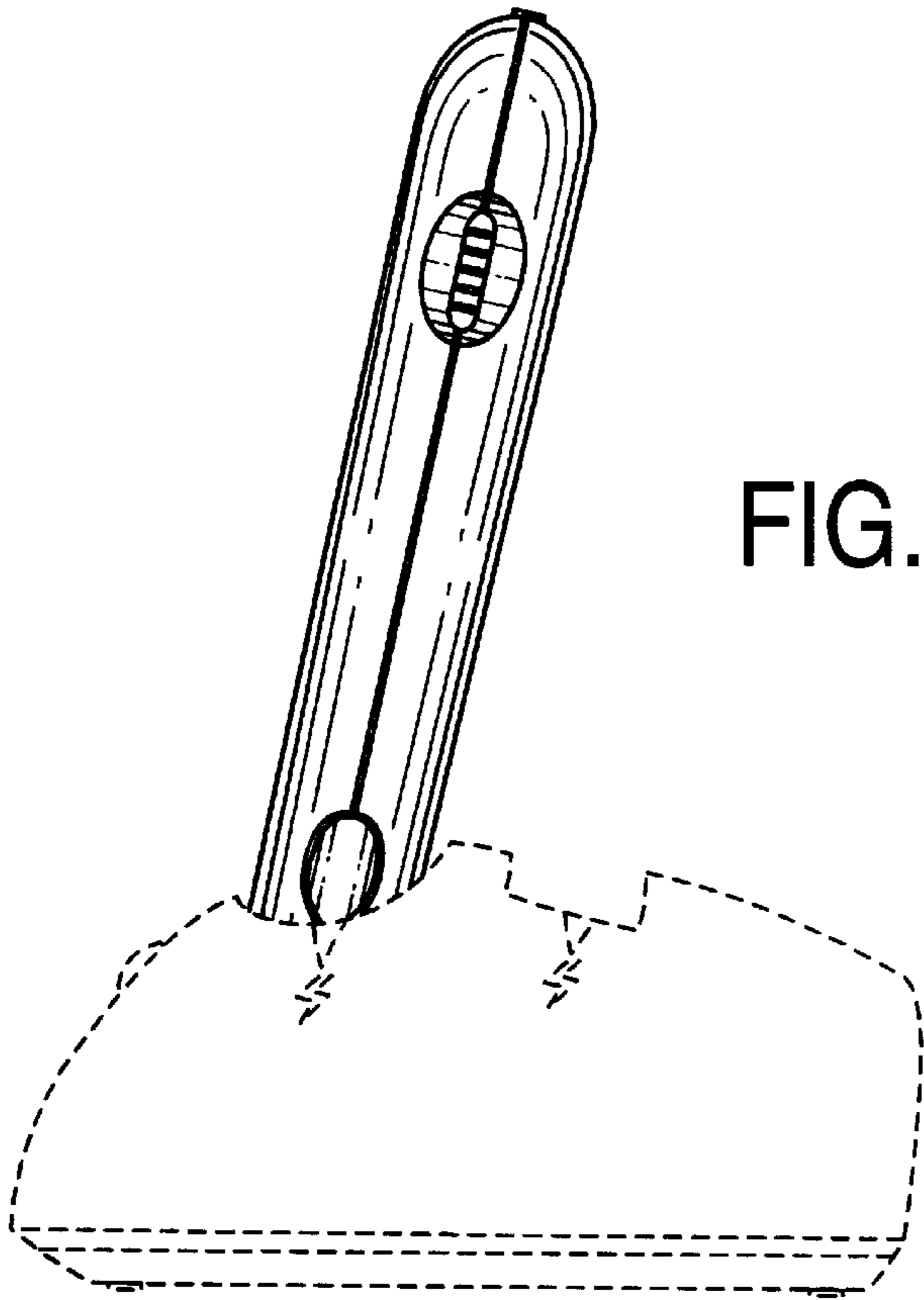


FIG. 8

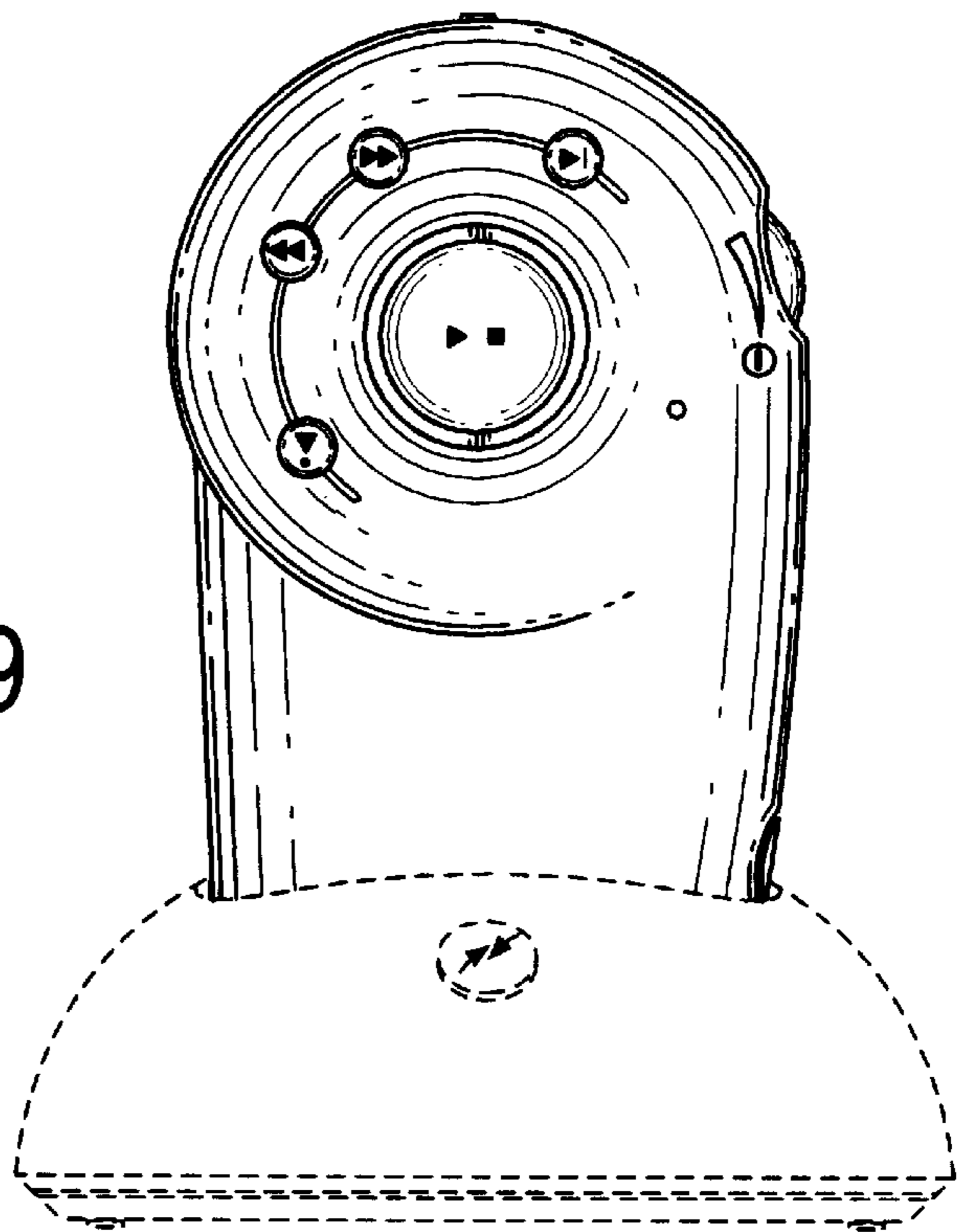


FIG. 9

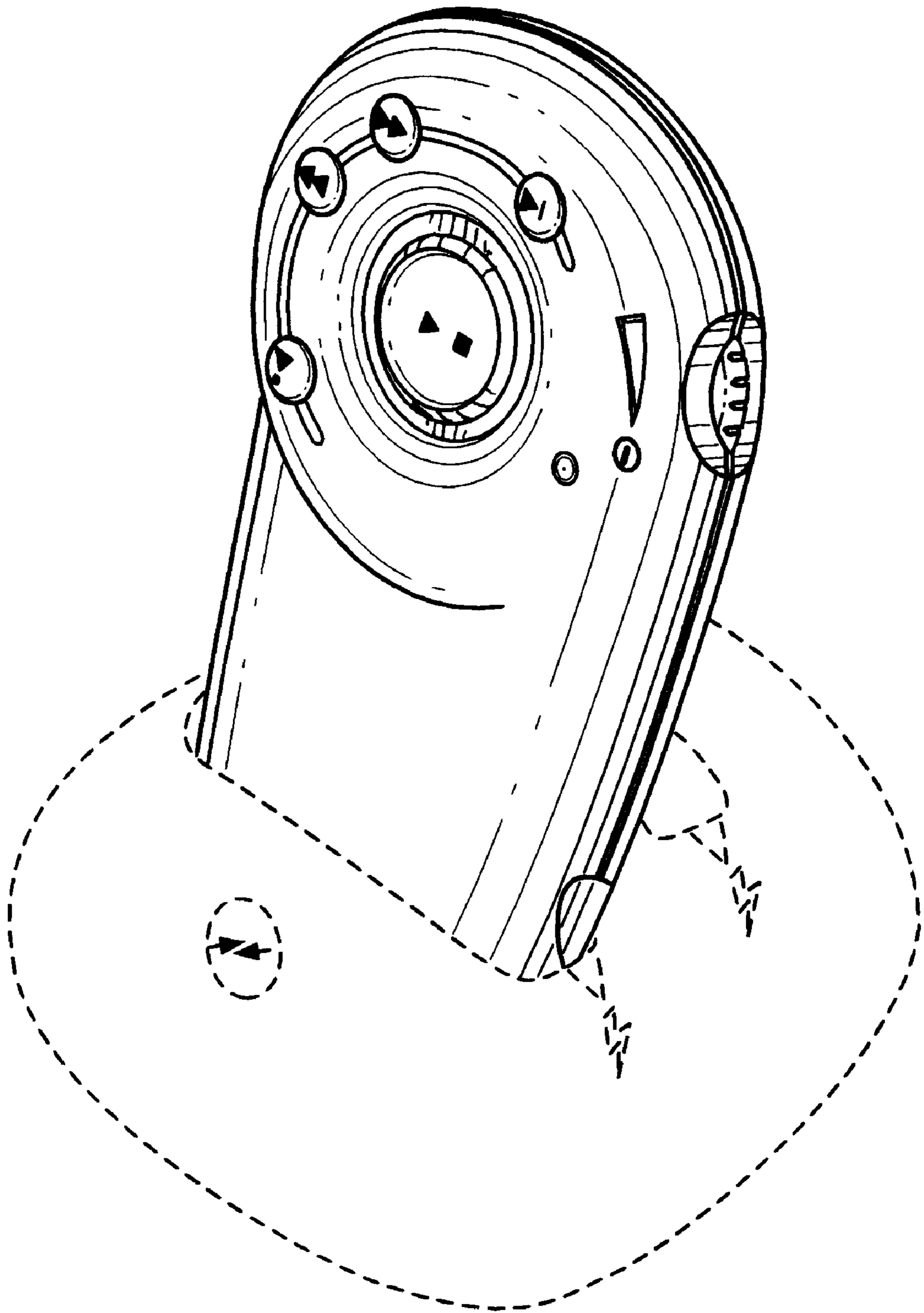


FIG. 10