



US00D409187S

United States Patent [19] Chuang

[11] Patent Number: **Des. 409,187**

[45] Date of Patent: ****May 4, 1999**

[54] TELEPHONE

[76] Inventor: **Shou Tsai Chuang**, No. 14-33, TenHu Lei, SanHsia Cheng Taipei Hsien, Taiwan

[**] Term: **14 Years**

[21] Appl. No.: **29/087,601**

[22] Filed: **May 6, 1998**

[51] LOC (6) Cl. **14-03**

[52] U.S. Cl. **D14/146**

[58] Field of Search D14/137, 138, D14/140, 142, 147-151, 146, 240; 379/433-436, 419, 420, 428, 440, 430, 453, 143-155, 368

[56] **References Cited**

U.S. PATENT DOCUMENTS

D. 202,110	8/1965	Wann	D14/150
D. 233,352	10/1974	Krammer et al.	D14/146
D. 297,638	9/1988	Chu	D14/150
D. 320,206	9/1991	Graves et al.	D14/150
D. 396,465	7/1998	Chien et al.	D14/146

D. 396,858	8/1998	Chien et al.	D14/146
3,511,939	5/1970	Aikawa	37/143
4,736,408	4/1988	Chen	379/155
4,991,202	2/1991	Su	379/146

OTHER PUBLICATIONS

Japan Telecommunications Review, Apr. 1976, p. 73, Figure 3 at top, Apr. 1976.

Primary Examiner—Jeffrey Asch
Attorney, Agent, or Firm—Bacon & Thomas, PLLC

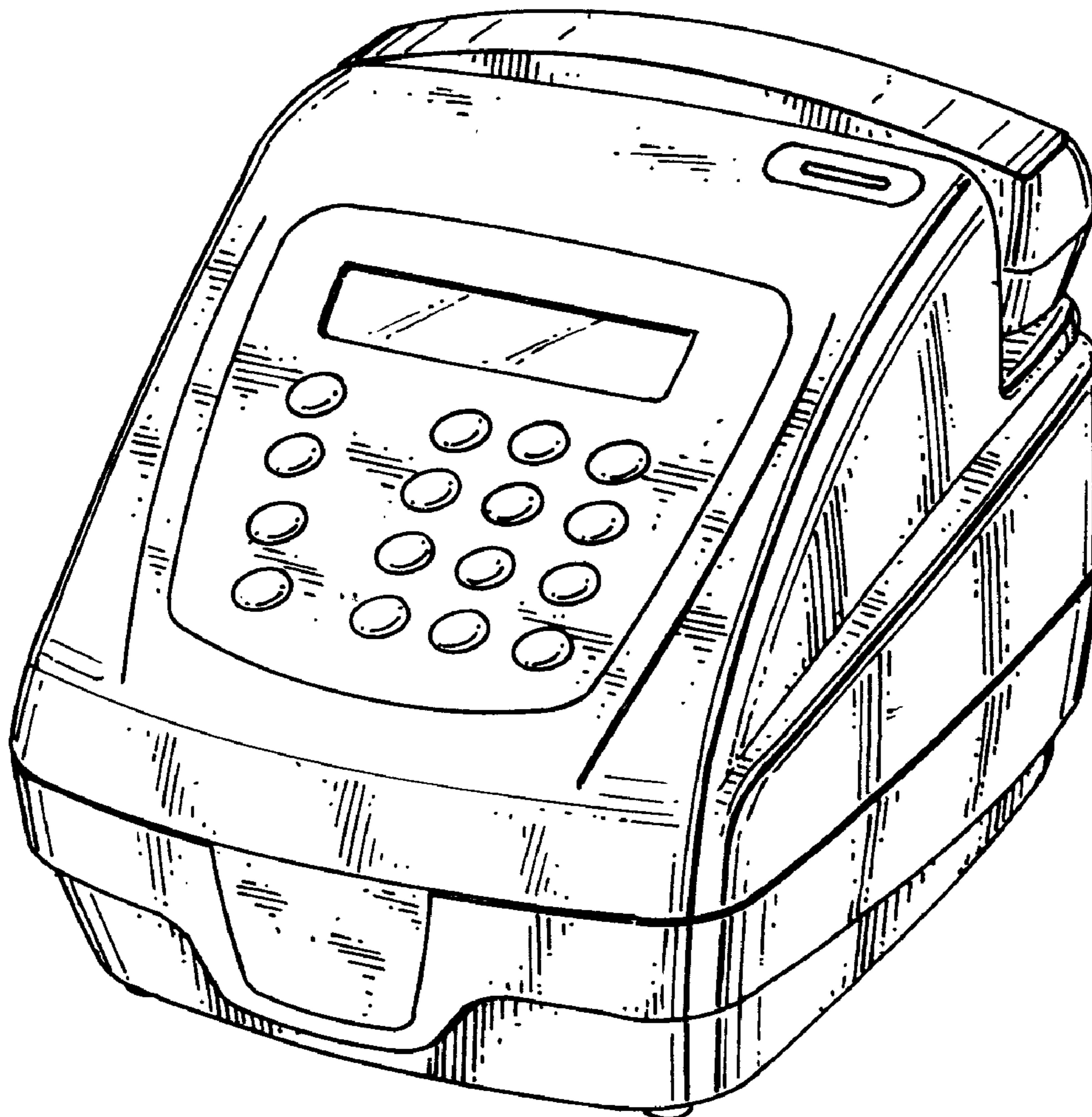
[57] **CLAIM**

The ornamental design for a telephone, as shown.

DESCRIPTION

FIG. 1 is a perspective view of a telephone showing my design;
FIG. 2 is a front view thereof;
FIG. 3 is a rear view thereof;
FIG. 4 is a left side view thereof;
FIG. 5 is a right side view thereof;
FIG. 6 is a upper view thereof; and,
FIG. 7 is a bottom view thereof.

1 Claim, 4 Drawing Sheets



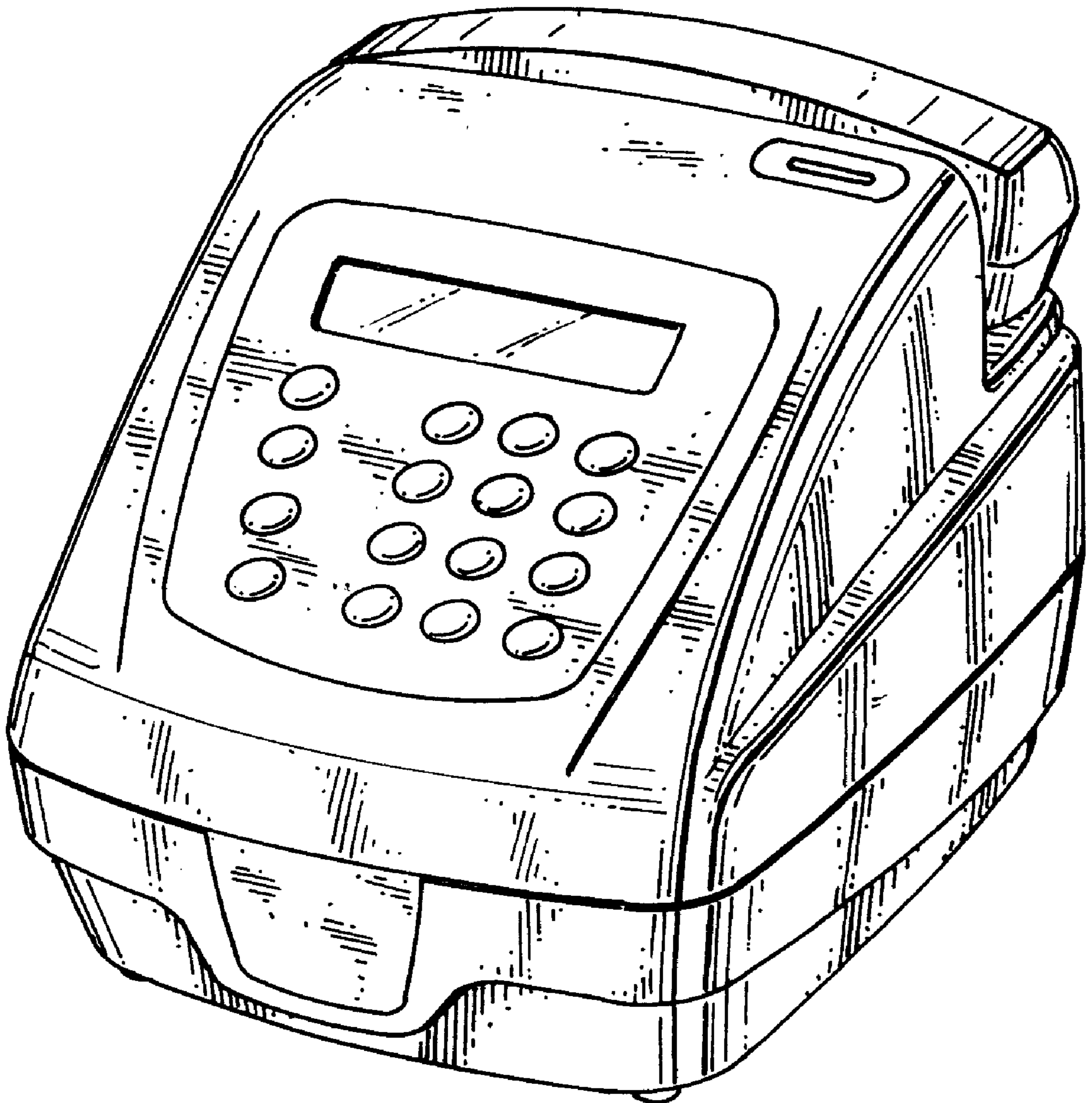


FIG. 1

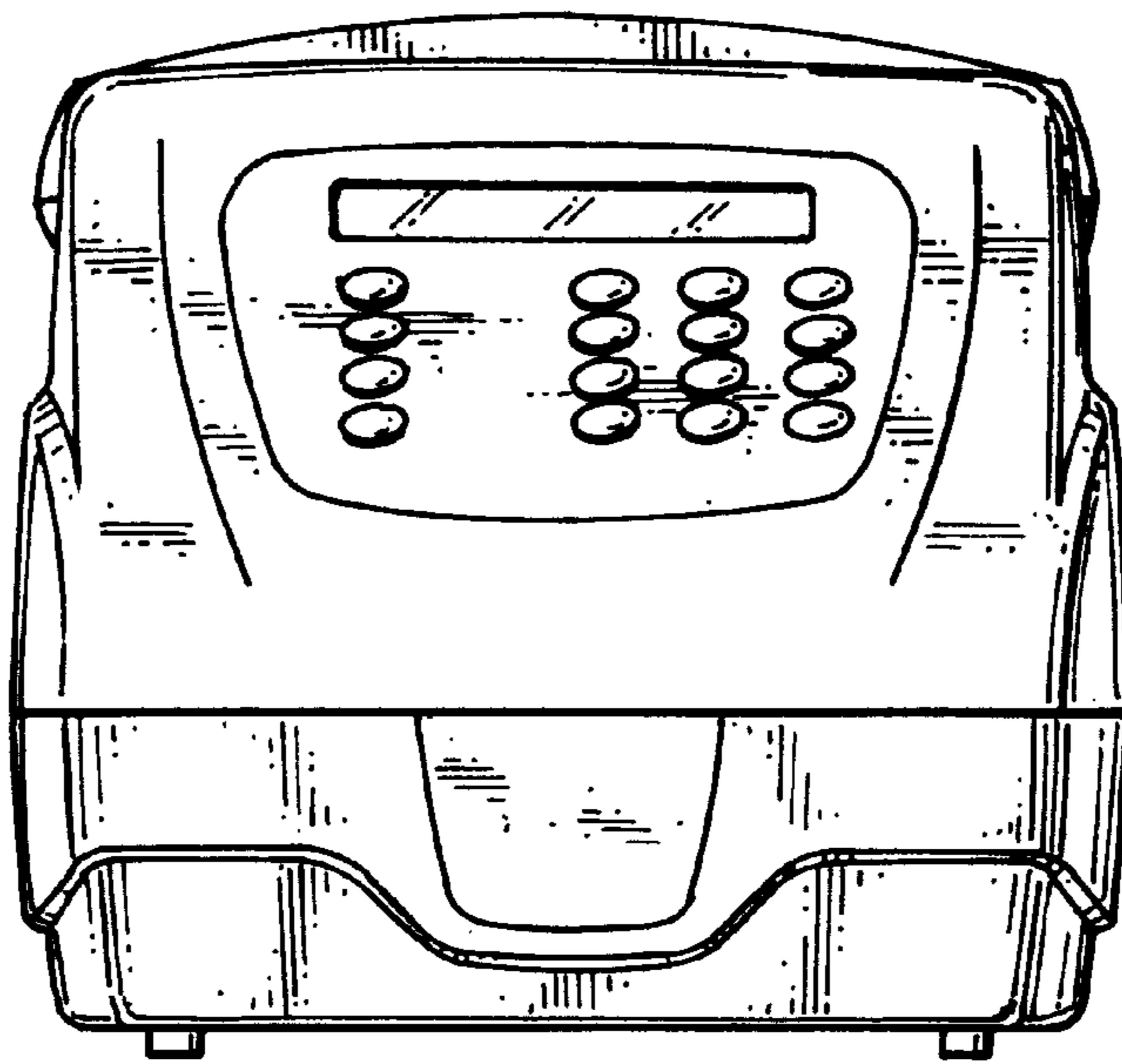


FIG. 2

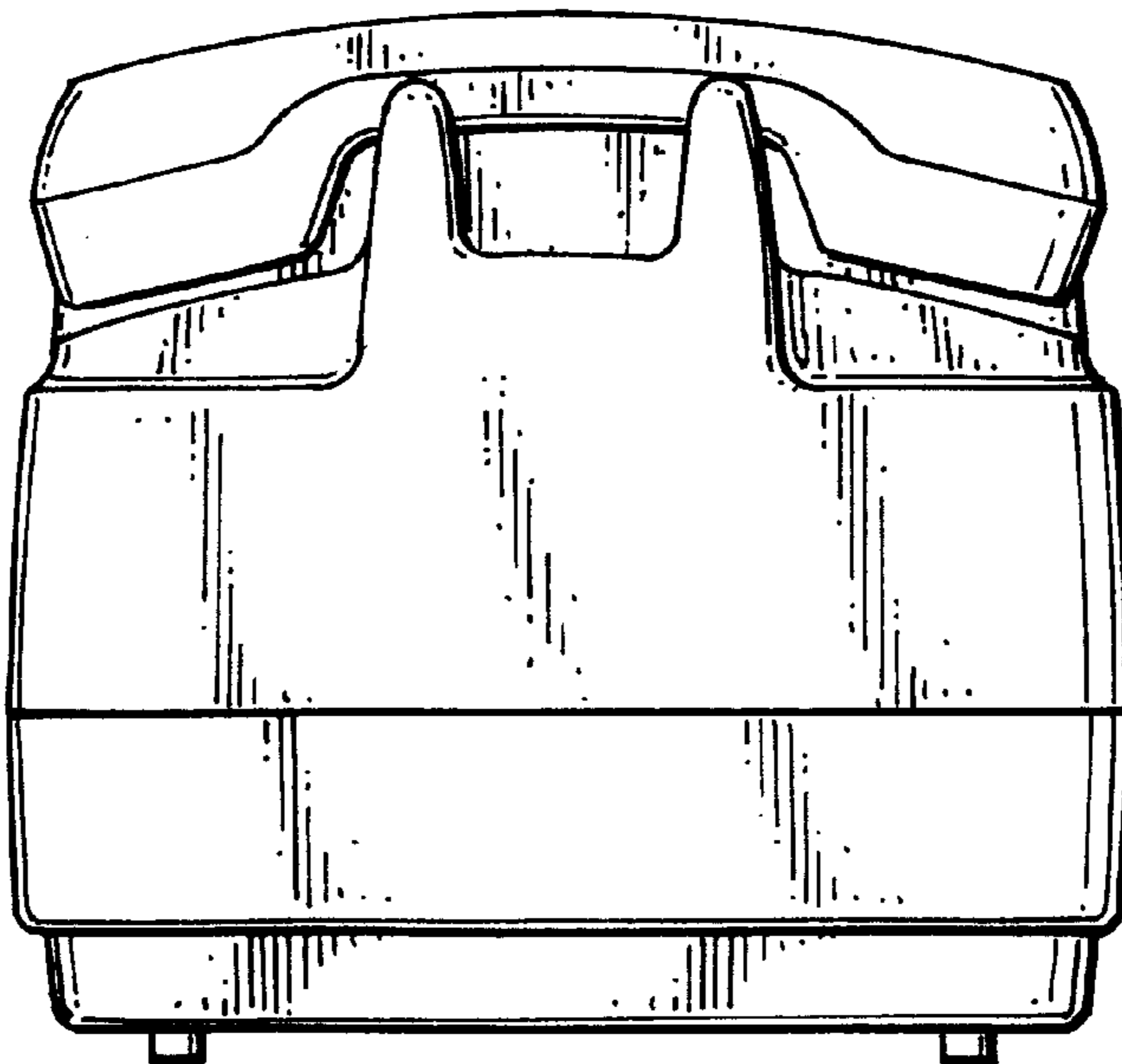


FIG. 3

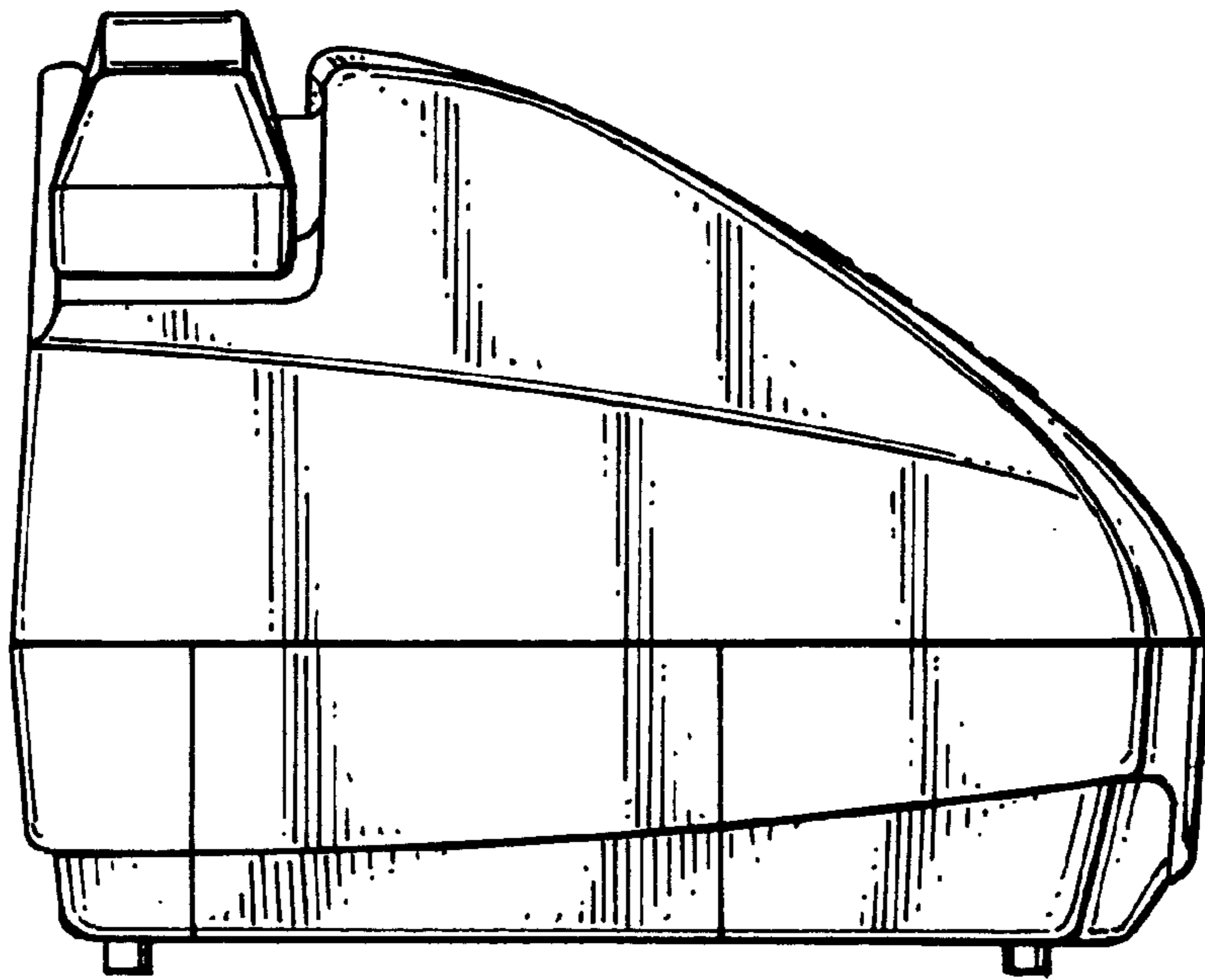


FIG. 4

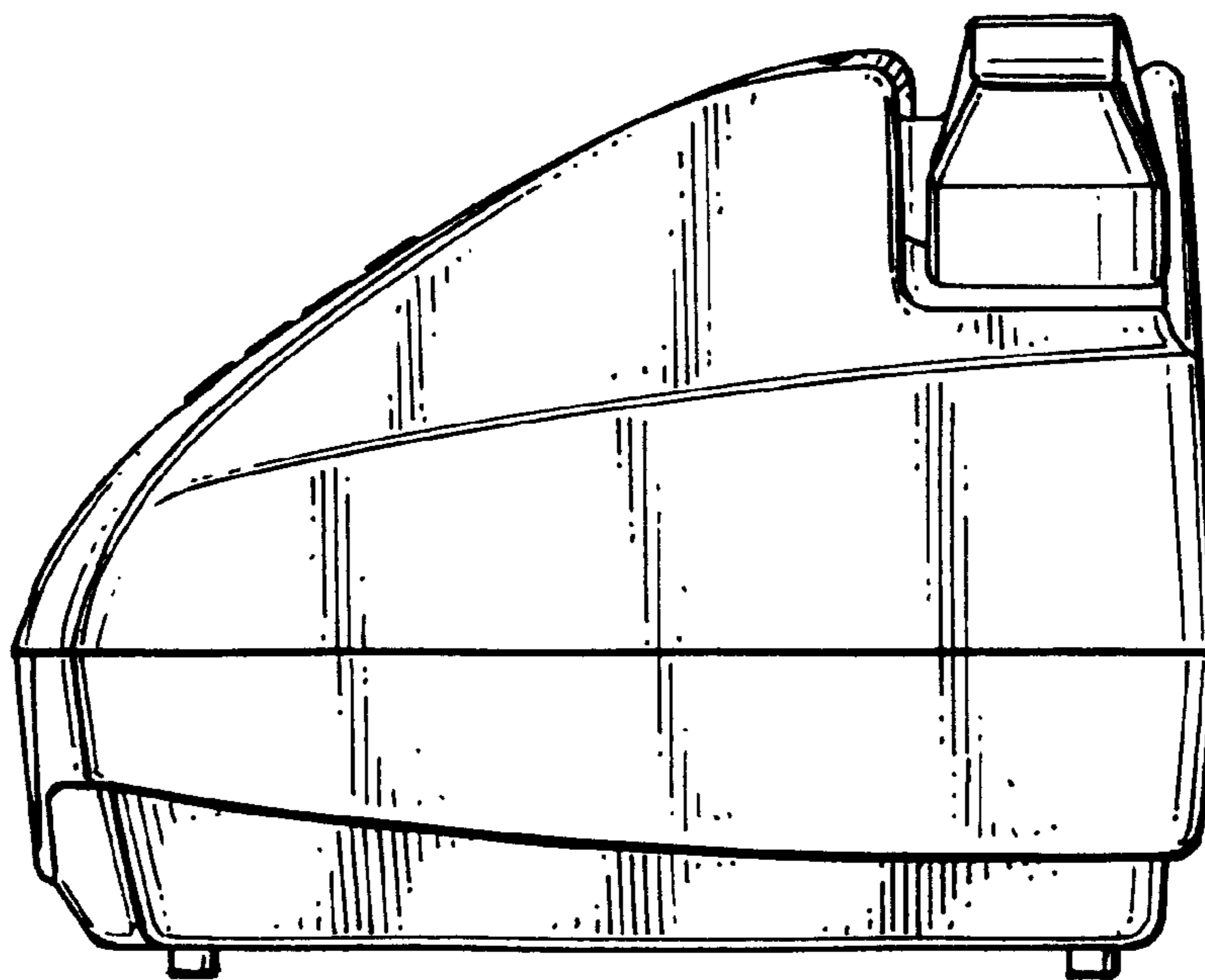


FIG. 5

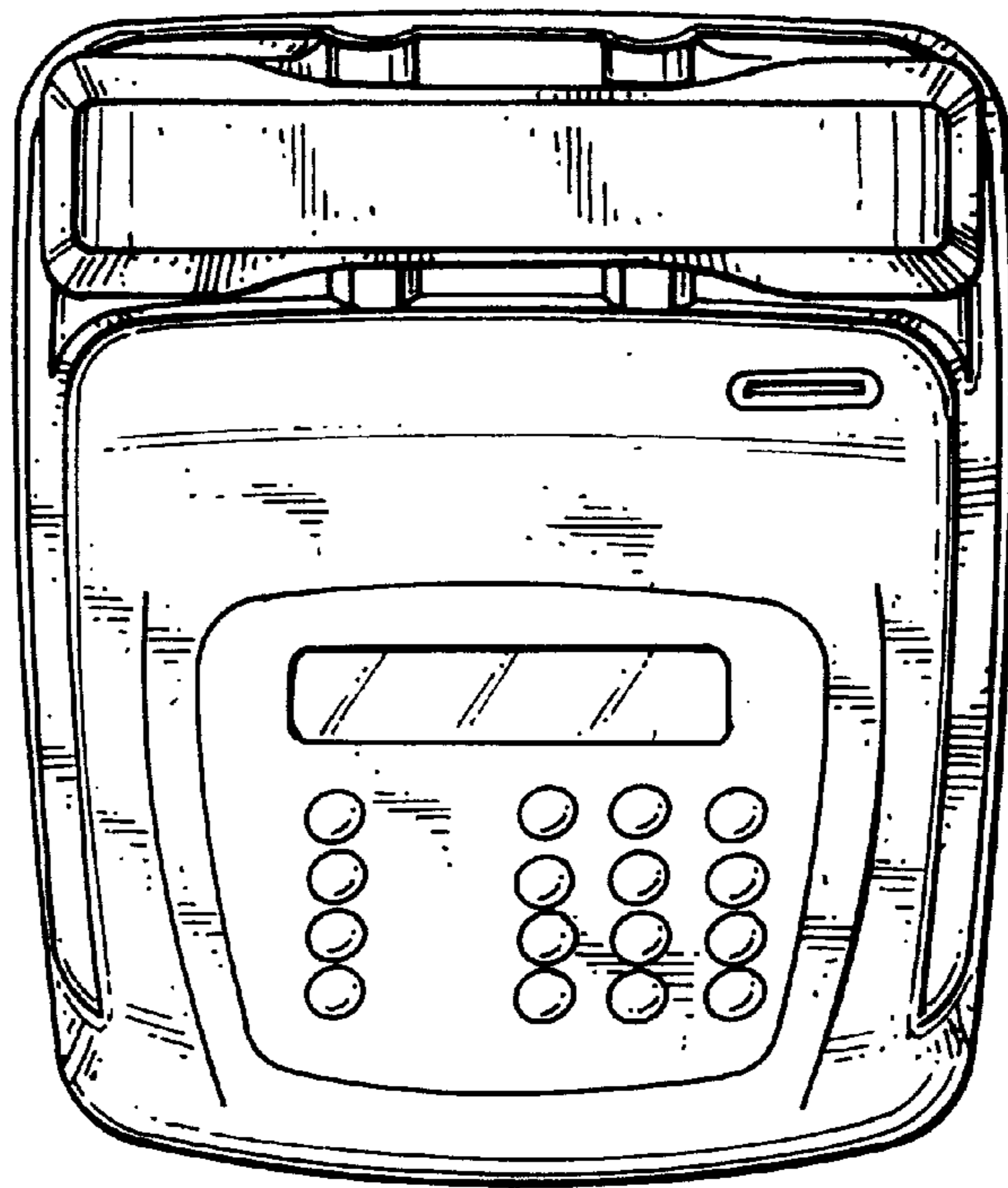


FIG. 6

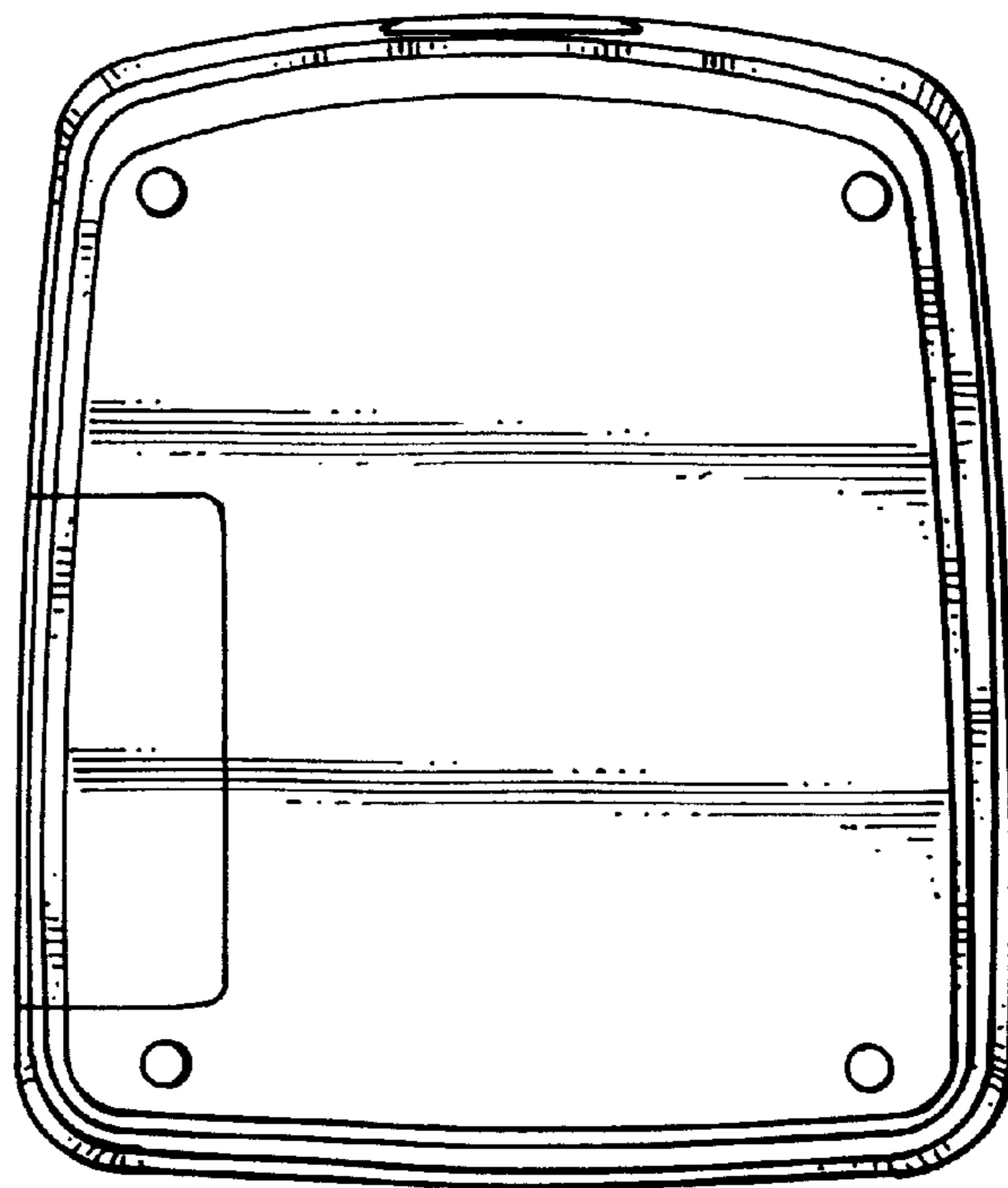


FIG. 7