



US00D409168S

United States Patent [19]

Myers et al.

[11] Patent Number: Des. 409,168

[45] Date of Patent: ** May 4, 1999

[54] WALL-MOUNTED CRADLE

[75] Inventors: **Kenneth E. Myers**, Marietta; **Charles A. Moore**, Lawrenceville; **Steven J. Meister**, Atlanta; **Bruce Copeland**, Stone Mountain, all of Ga.

[73] Assignee: **LXE Inc.**, Atlanta, Ga.

[**] Term: **14 Years**

[21] Appl. No.: **29/069,763**

[22] Filed: **Apr. 23, 1997**

[51] **LOC (6) Cl.** **14-02**

[52] **U.S. Cl.** **D14/114**

[58] **Field of Search** D14/100, 107, D14/114; D13/184, 199; 364/708.1; 361/680-686; 439/95, 284, 357, 372

[56] References Cited

U.S. PATENT DOCUMENTS

D. 362,241	9/1995	Youens et al.	D14/114
D. 363,276	10/1995	Lucente et al.	D14/114
D. 396,454	7/1998	Shima et al.	D14/114
5,331,580	7/1994	Miller et al. .	
5,452,180	9/1995	Register et al. .	

5,739,665 4/1998 Bares .

Primary Examiner—Brian N. Vinson
Attorney, Agent, or Firm—Jones & Askew, LLP

[57] CLAIM

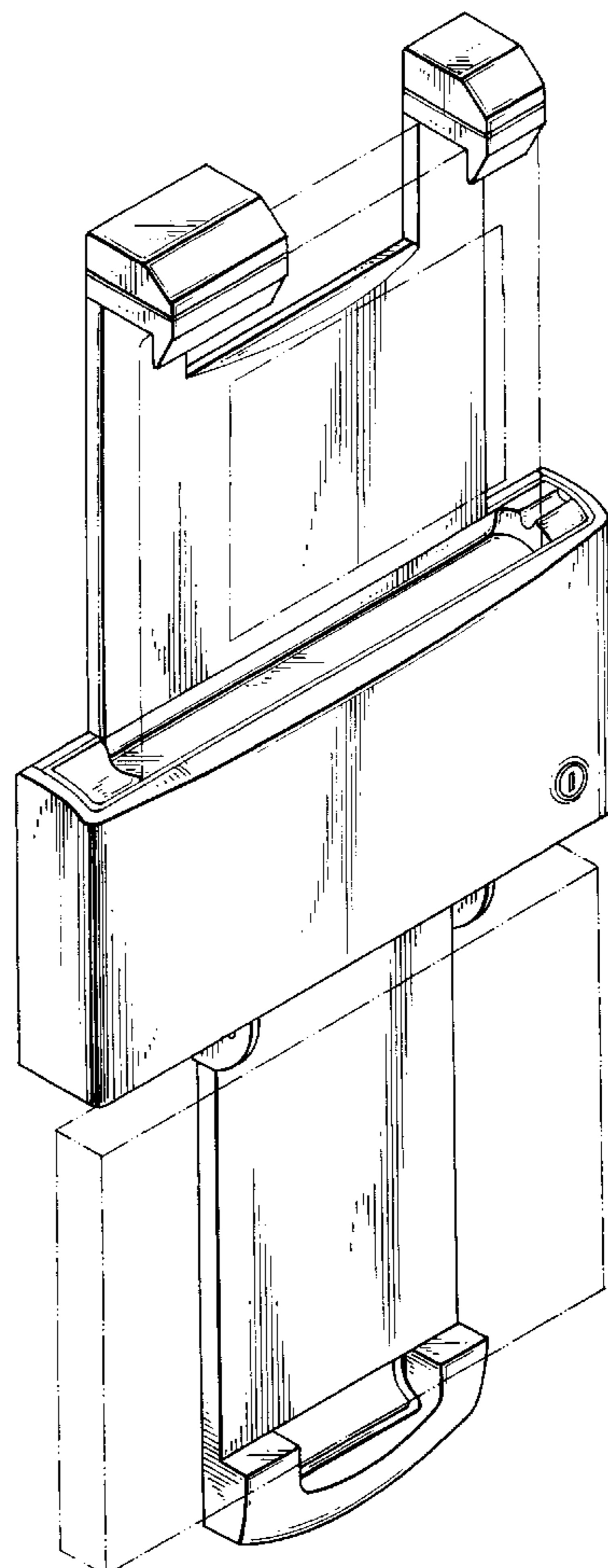
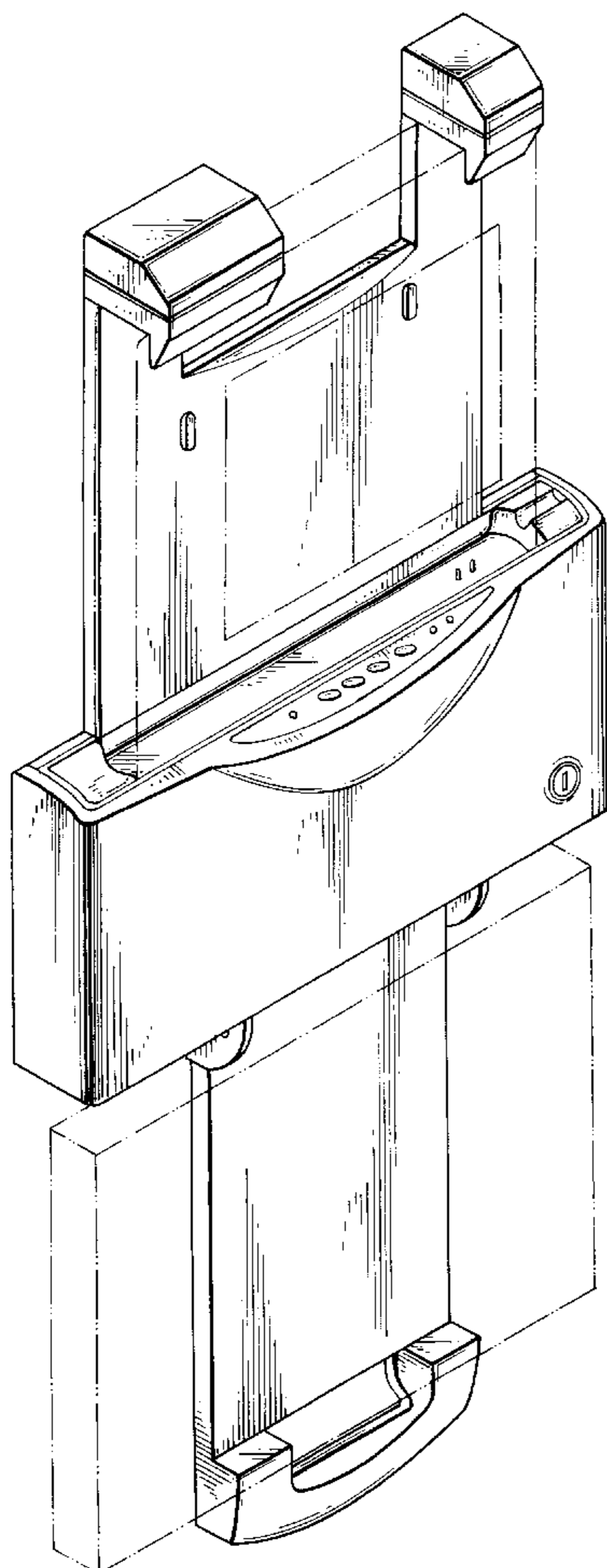
The ornamental design for a wall-mounted cradle, as shown and described.

DESCRIPTION

FIG. 1 is a top, front and left side perspective view of a first embodiment of a wall-mounted cradle showing our new design;
 FIG. 2 is a bottom plan view thereof;
 FIG. 3 is a top plan view thereof;
 FIG. 4 is a right side elevational view thereof;
 FIG. 5 is a front elevational view thereof;
 FIG. 6 is a top, front and left side perspective view of a second embodiment of a wall-mounted cradle showing our new design;
 FIG. 7 is a bottom plan view thereof;
 FIG. 8 is a top plan view thereof;
 FIG. 9 is a right side elevational view thereof; and,
 FIG. 10 is a front elevational view thereof.

The broken-line disclosure in the views is for illustrative purposes only and forms no part of the claimed design.

1 Claim, 4 Drawing Sheets



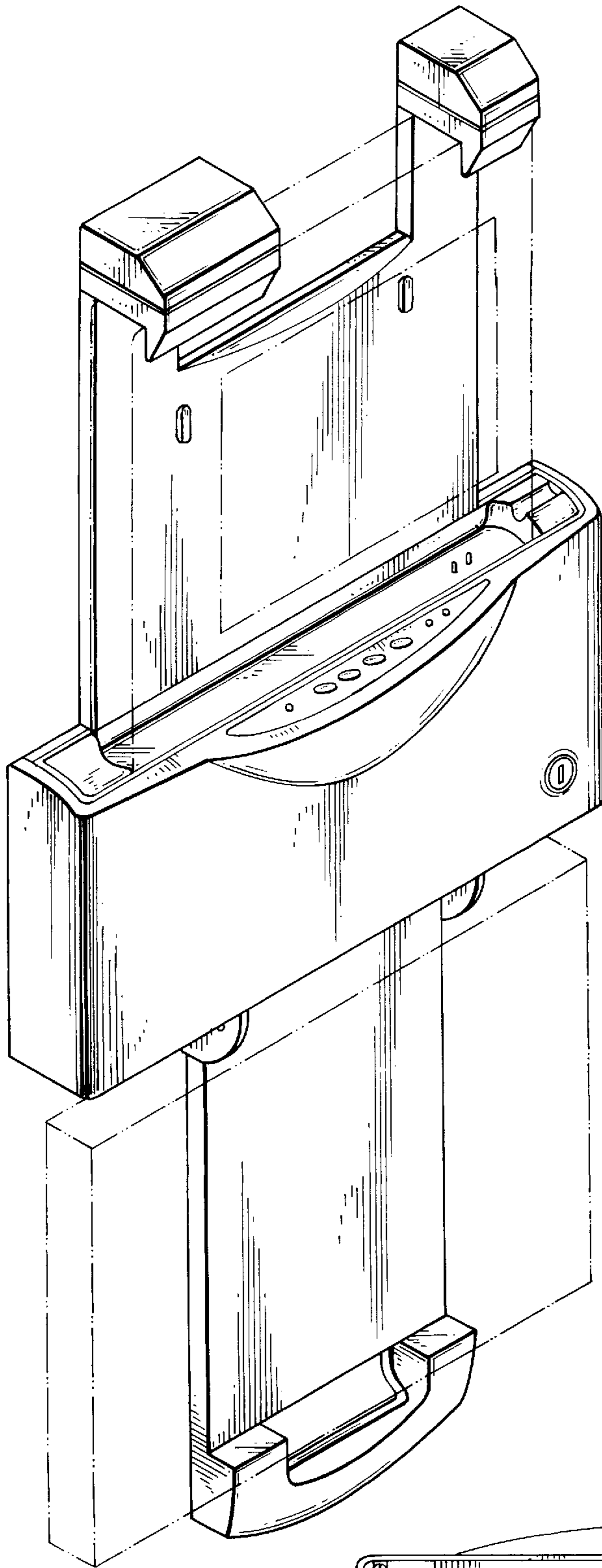
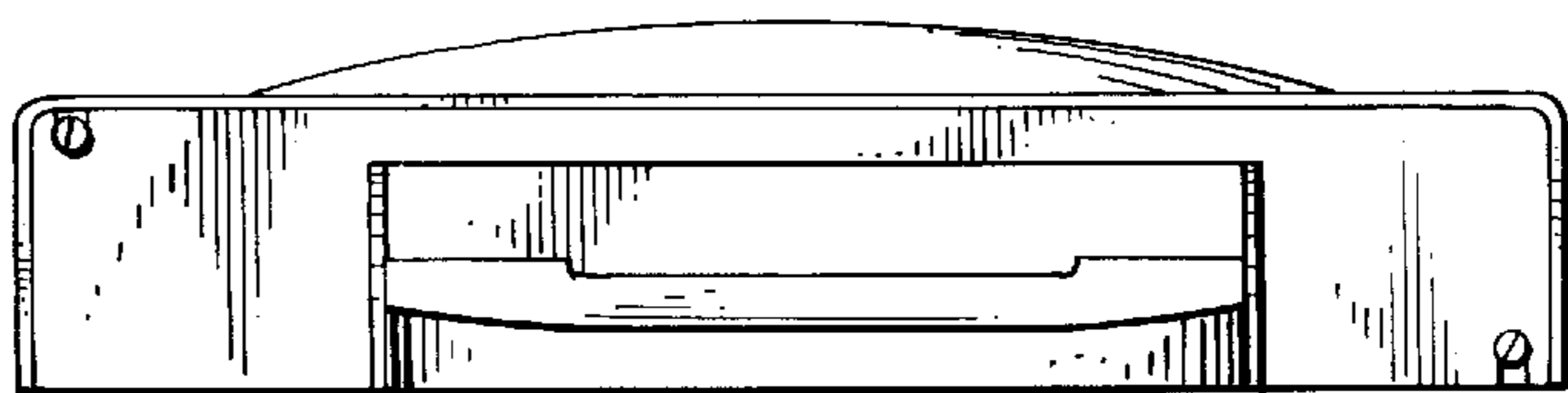


Fig. 1

Fig. 2



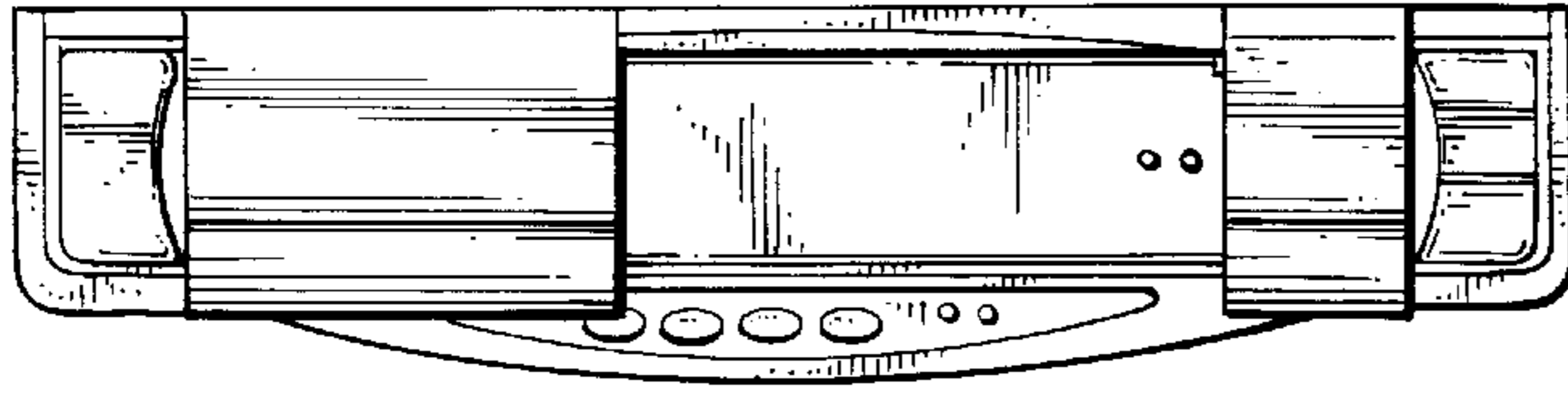


Fig. 3

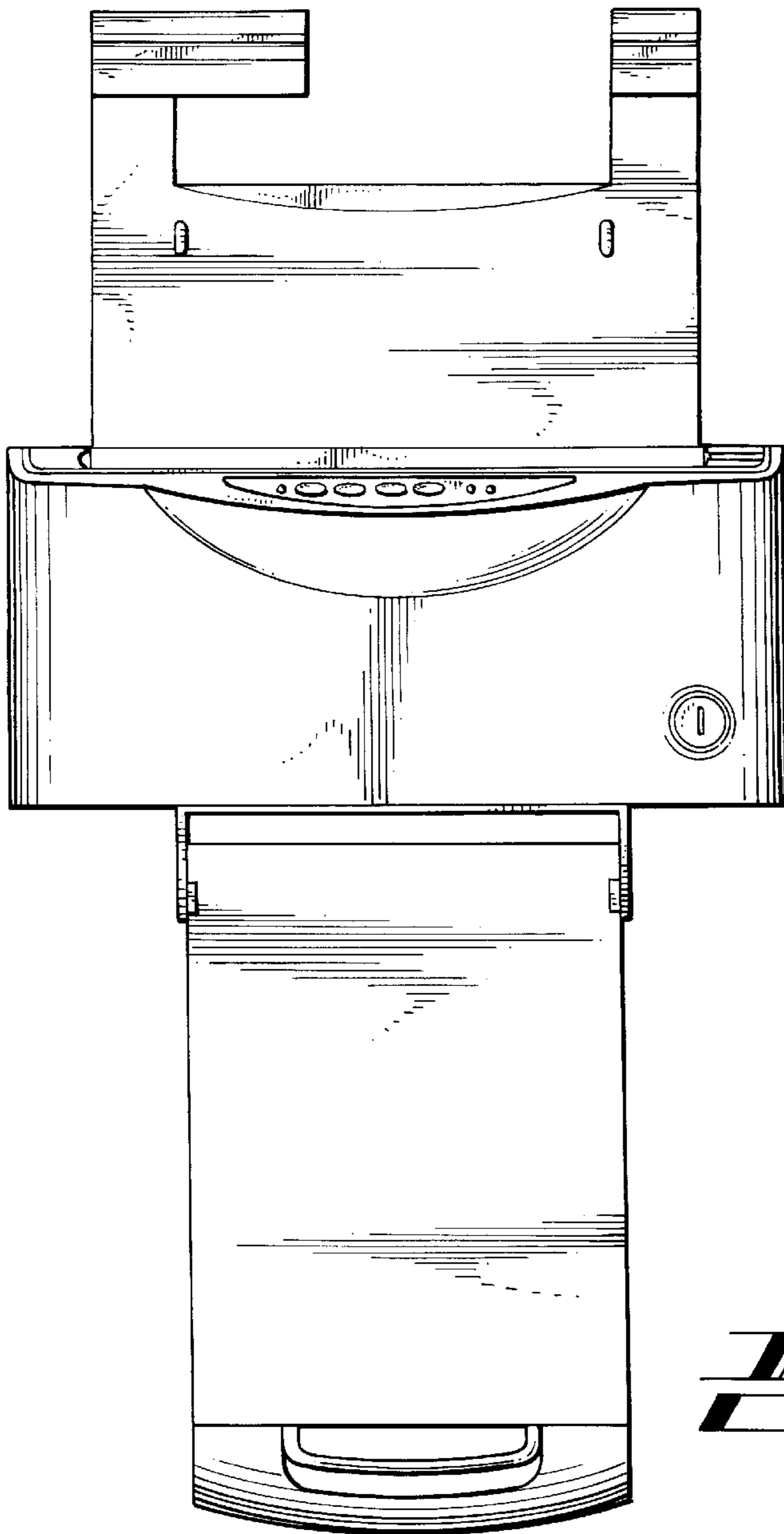
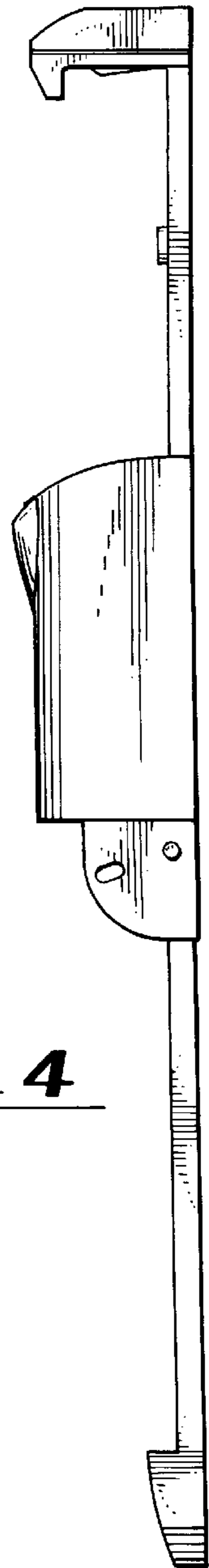


Fig. 4

Fig. 5



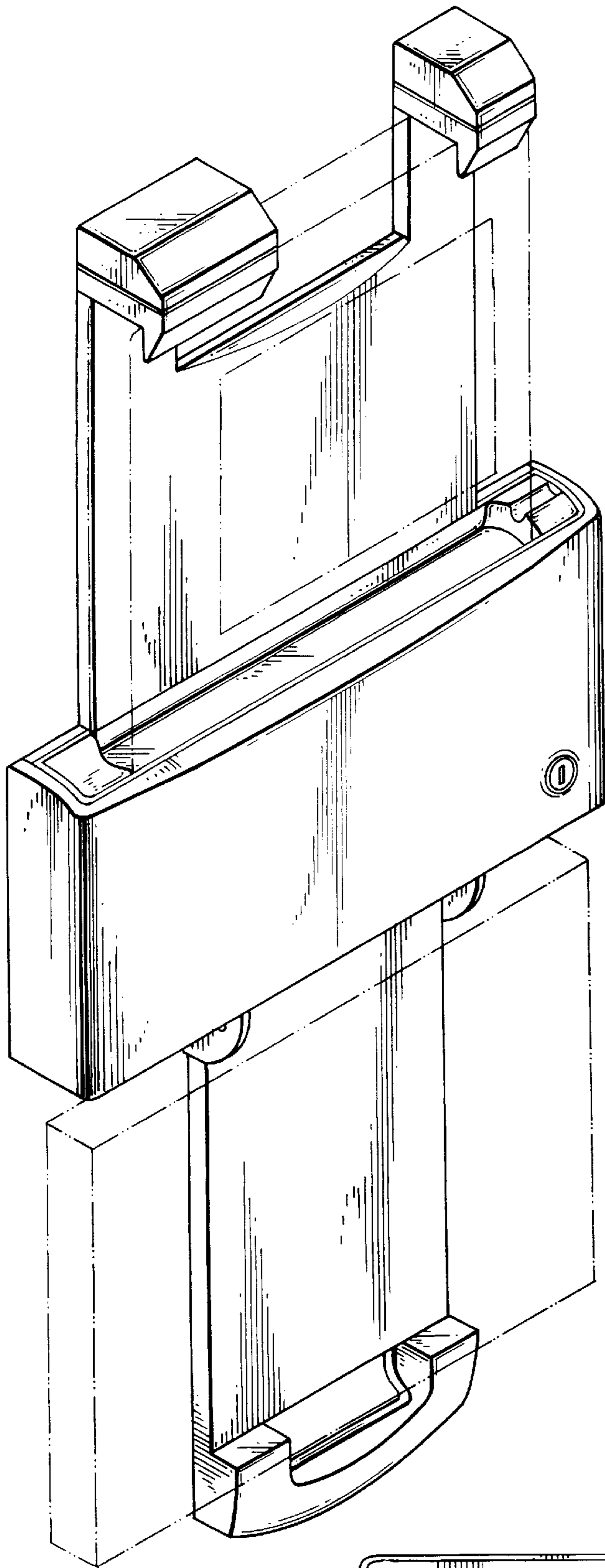


Fig. 6

Fig. 7

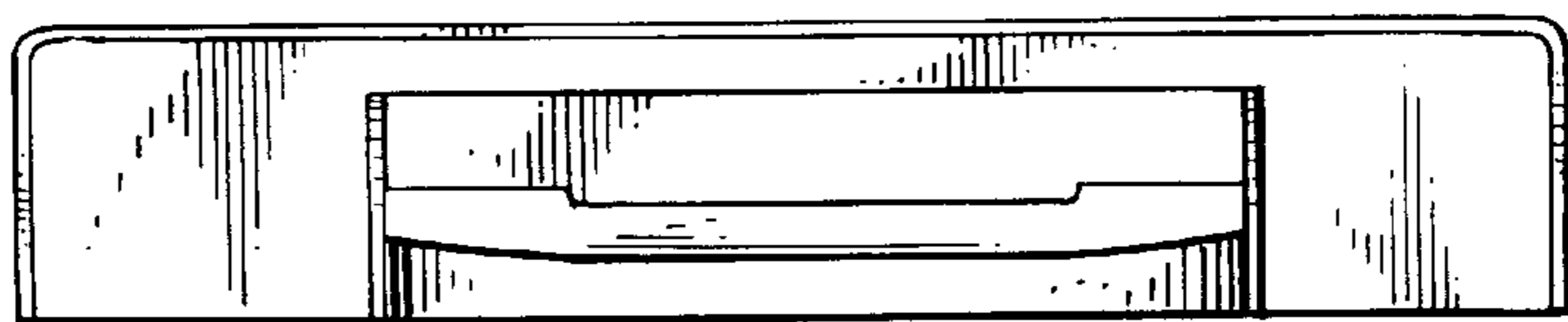




Fig. 8

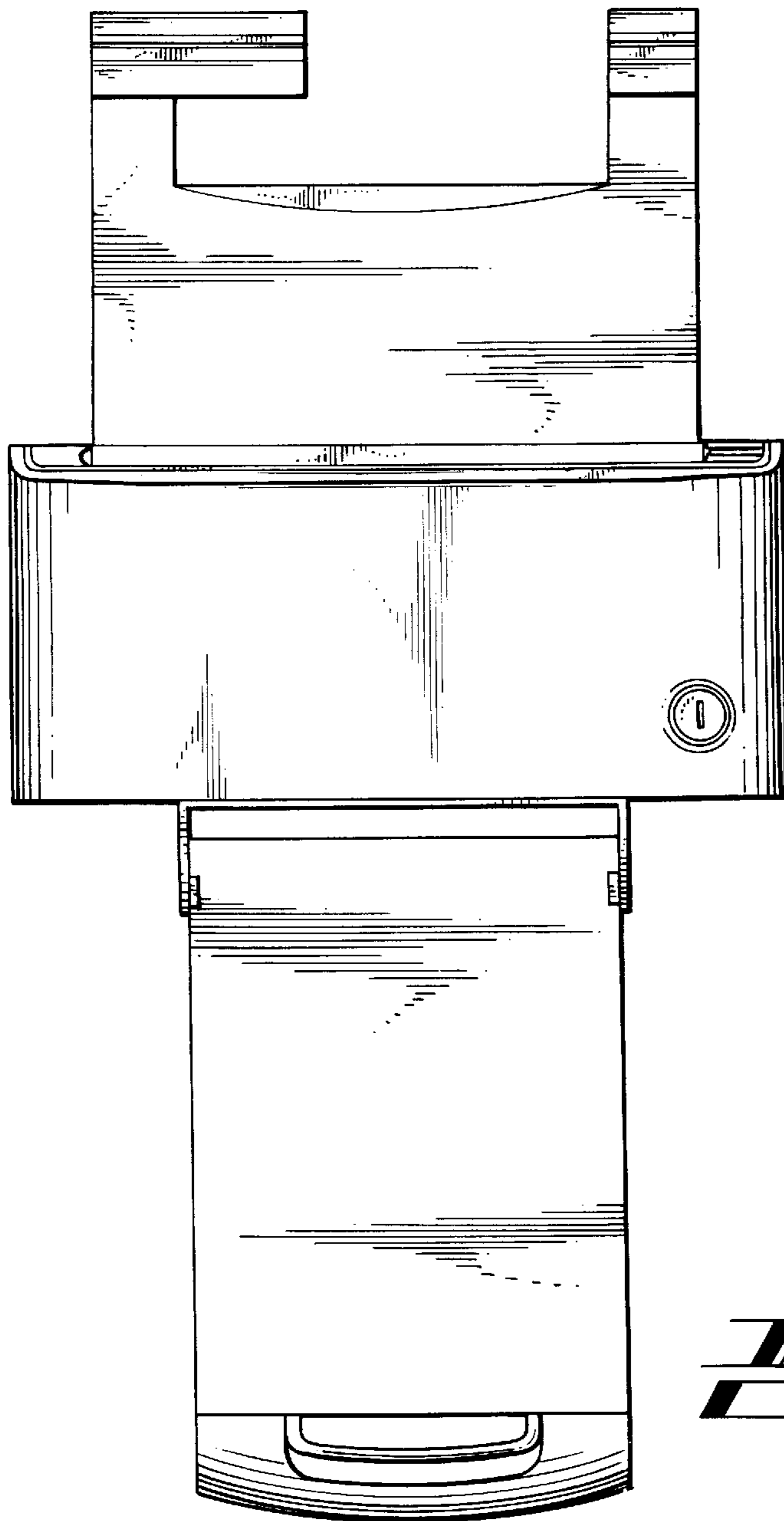


Fig. 9

Fig. 10

