



US00D409167S

United States Patent [19]

Chuo et al.

[11] Patent Number: **Des. 409,167**

[45] Date of Patent: **** May 4, 1999**

[54] **COMPUTER DISPLAY**

[75] Inventors: **Yu-Hsin Chuo; Yu-Jing Lin**, both of Taipei, Taiwan

[73] Assignee: **Compal Electronics, Inc.**, Taipei, Taiwan

[**] Term: **14 Years**

[21] Appl. No.: **29/087,600**

[22] Filed: **May 6, 1998**

[51] **LOC (6) Cl.** **14-02**

[52] **U.S. Cl.** **D14/113; D14/126**

[58] **Field of Search** D14/100, 101, D14/113, 106, 124-129; 248/918-924; 341/12; 345/104, 133, 156, 168, 87, 173; 348/180, 184, 325, 739

[56] **References Cited**

U.S. PATENT DOCUMENTS

D. 369,150 4/1996 Vossoughi D14/113

D. 370,466 6/1996 Vossoughi D14/100
D. 375,489 11/1996 Esslinger D14/113
D. 390,545 2/1998 Chang D14/113
D. 391,241 2/1998 Cho D14/113

Primary Examiner—Freda Nunn
Attorney, Agent, or Firm—Bacon & Thomas, PLLC

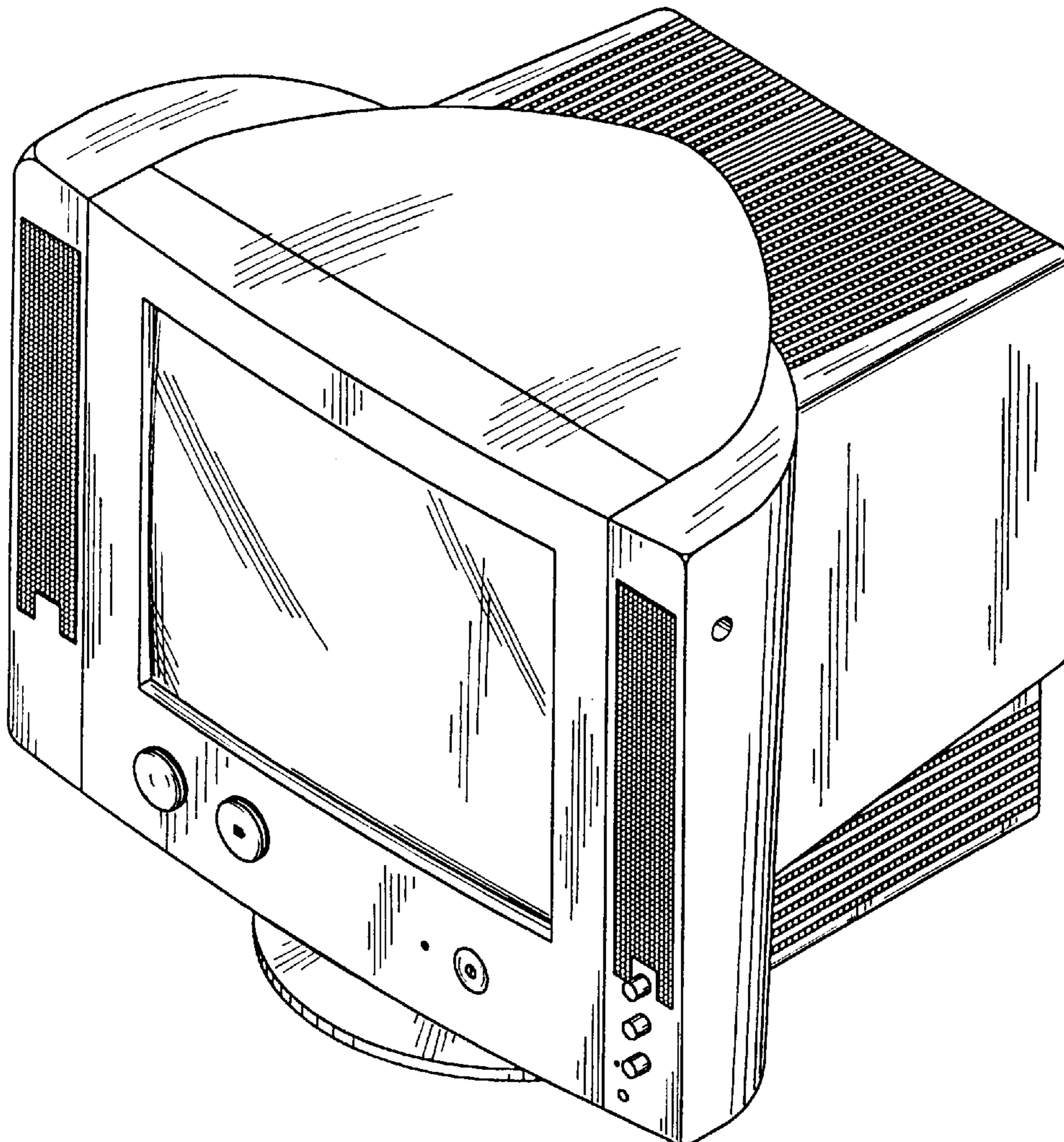
[57] **CLAIM**

The ornamental design for a computer display, as shown and described.

DESCRIPTION

FIG. 1 is a perspective view showing our new design for a computer display;
FIG. 2 is a front elevational view thereof;
FIG. 3 is a rear elevational view thereof;
FIG. 4 is a left side elevational view thereof;
FIG. 5 is a right side elevational view thereof;
FIG. 6 is a top view thereof; and,
FIG. 7 is a bottom view thereof.

1 Claim, 4 Drawing Sheets



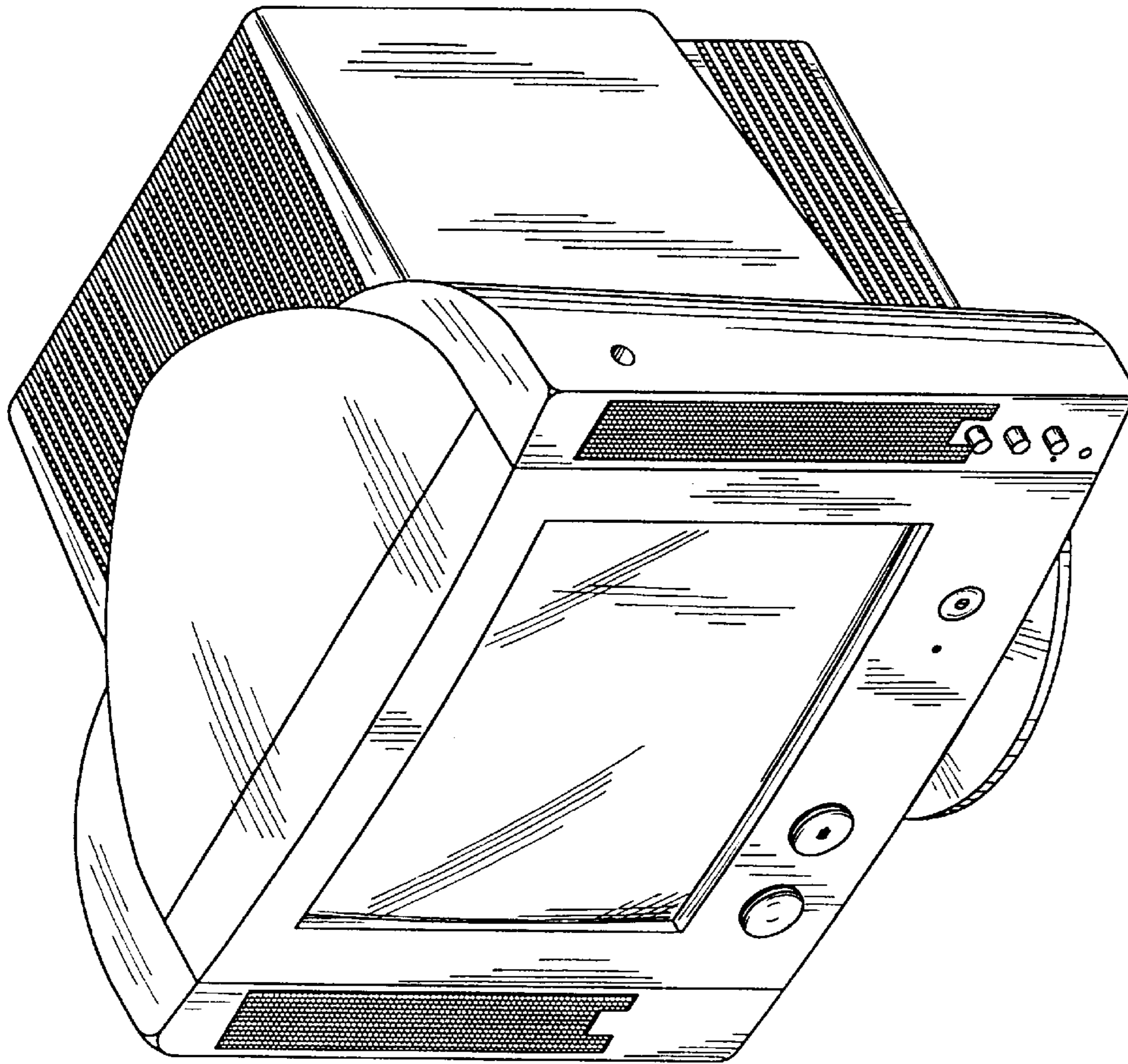


Fig.1

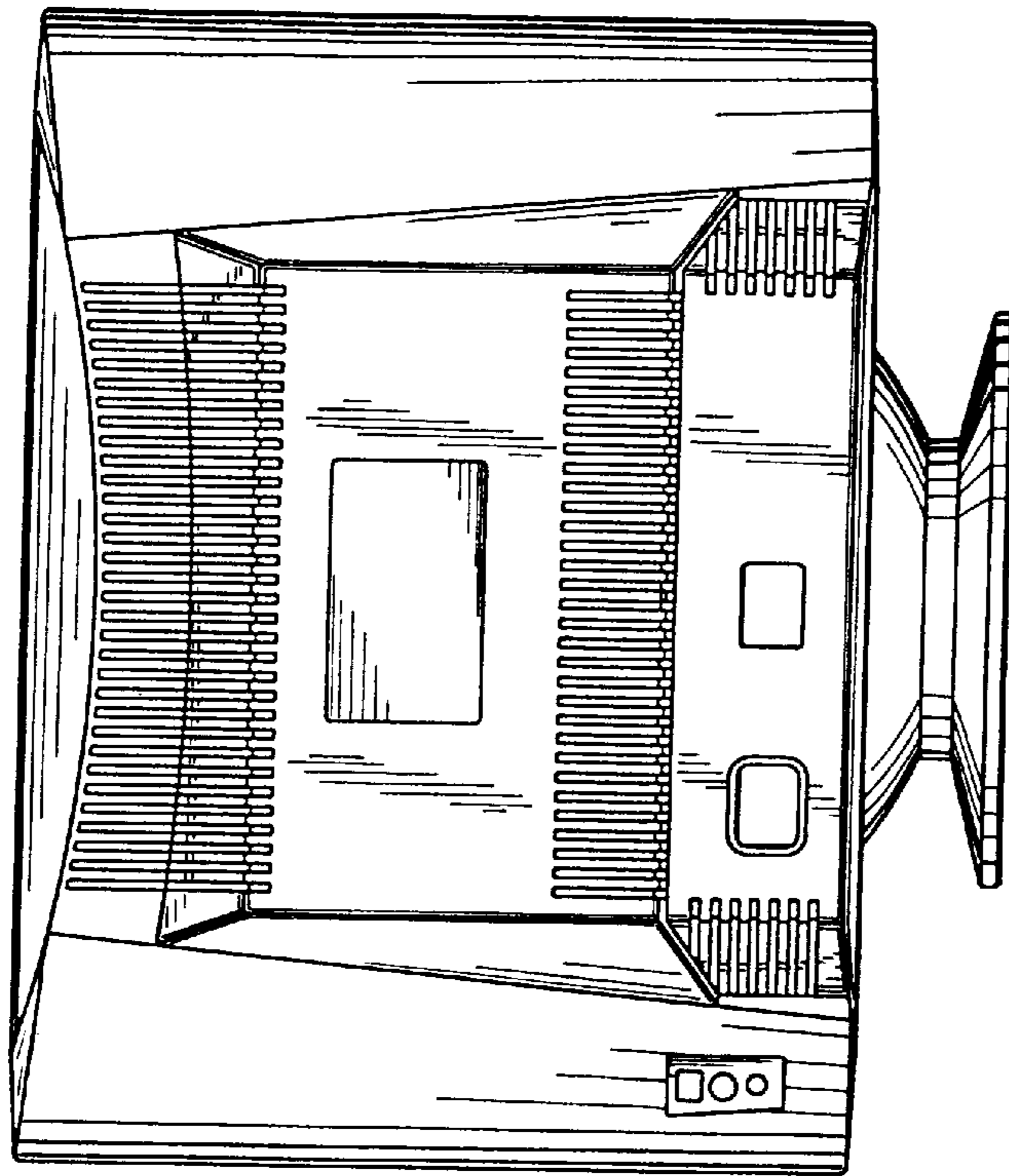


Fig.3

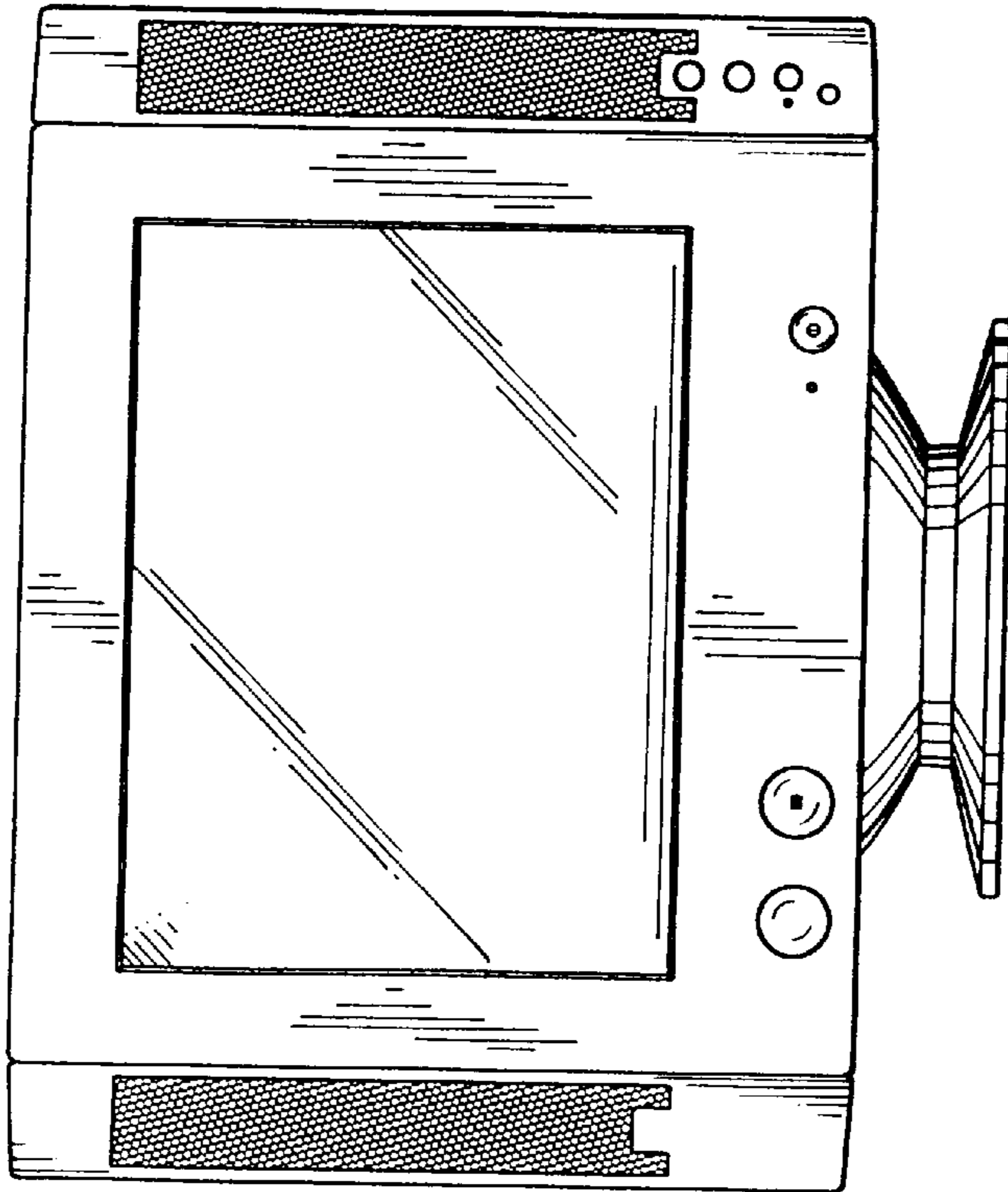


Fig.2

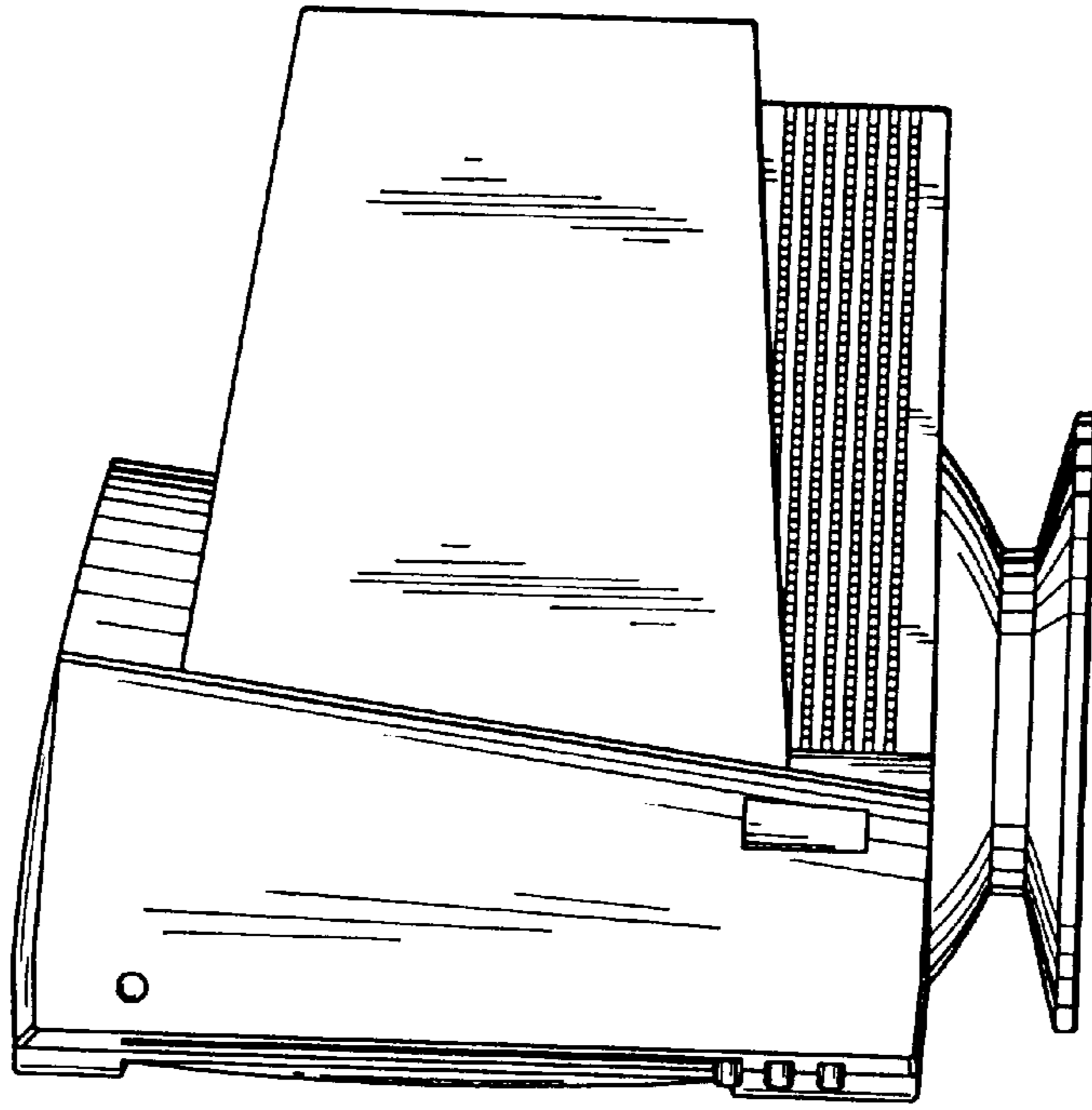


Fig.5

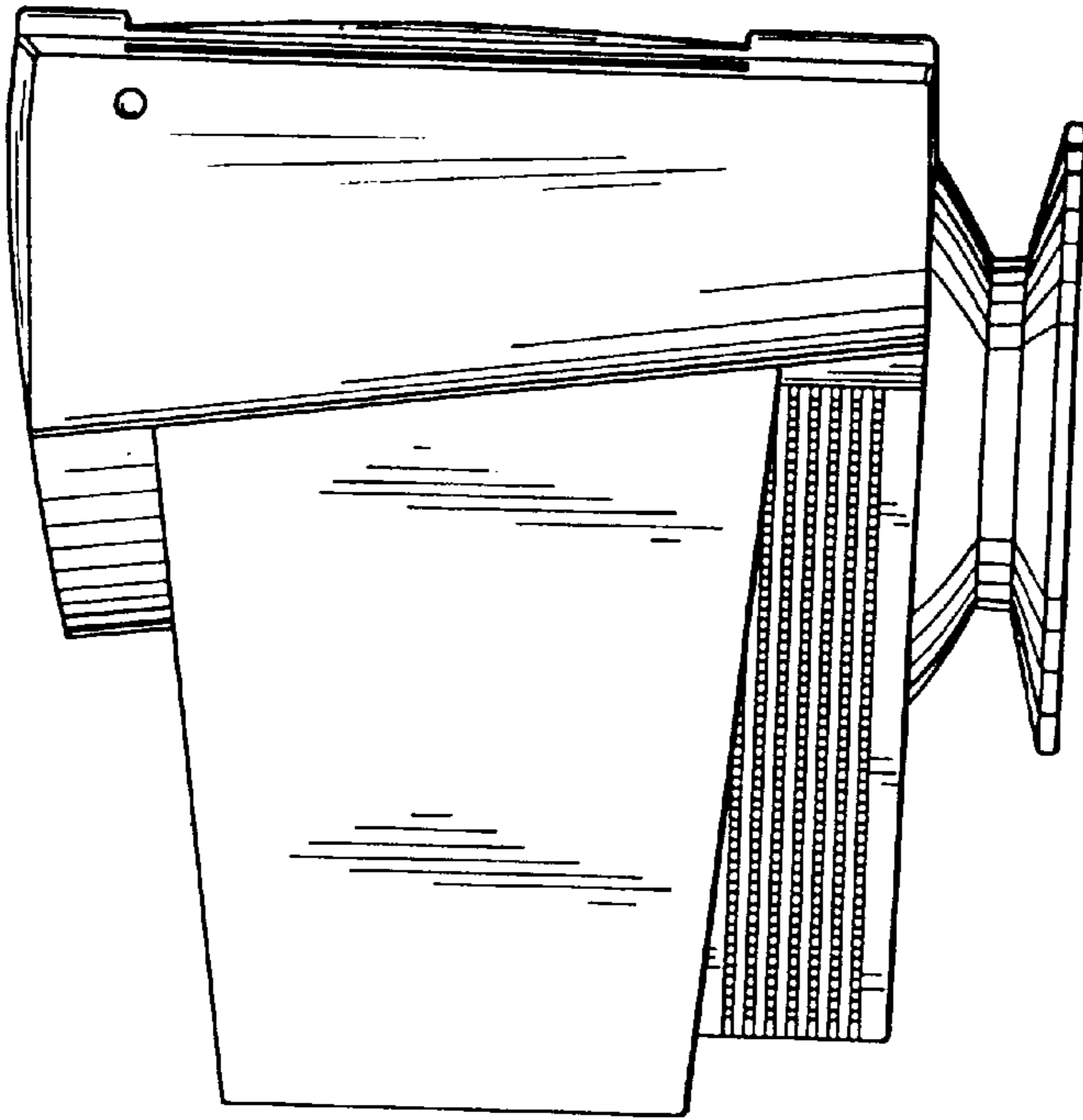


Fig.4

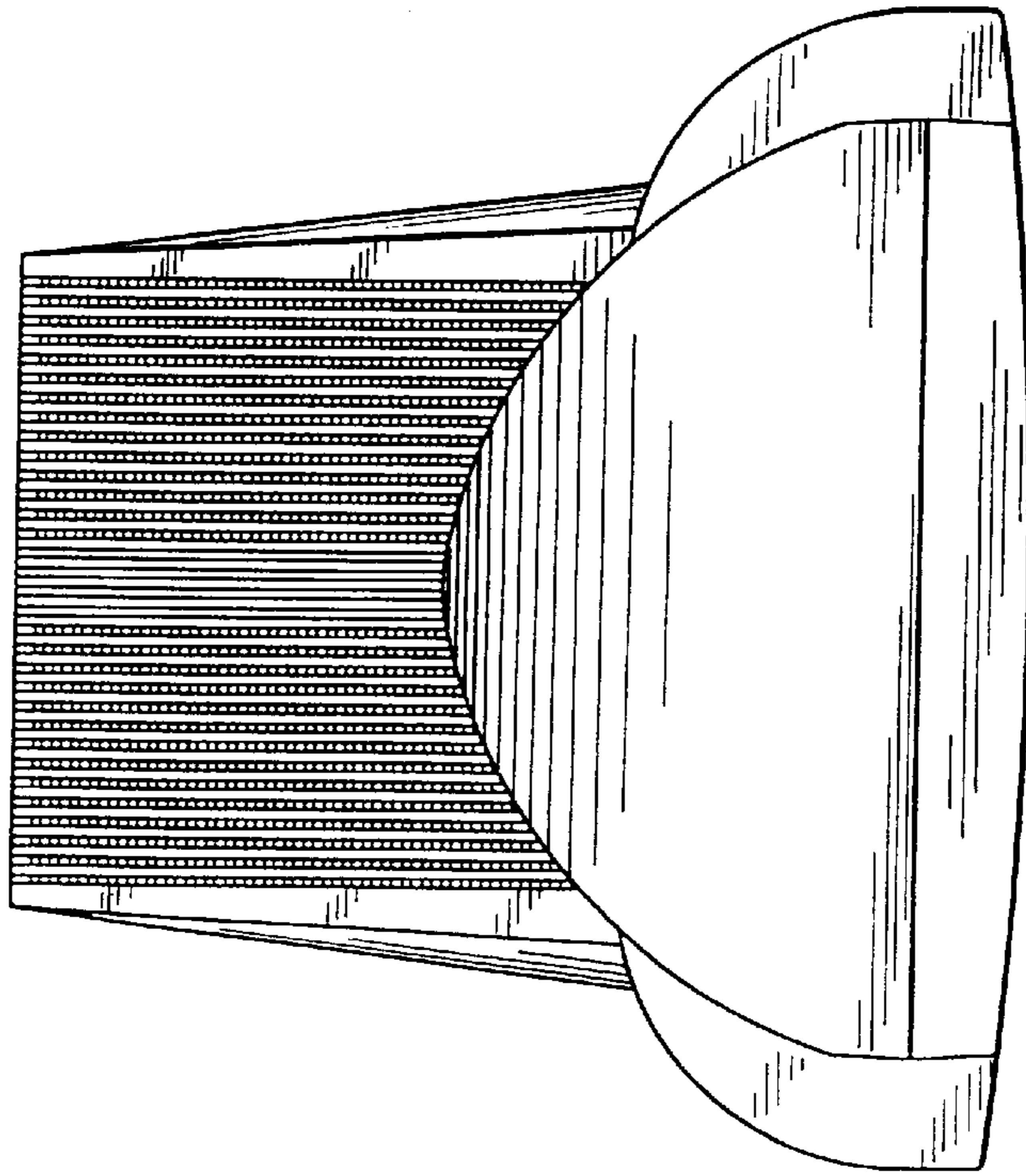


Fig.6

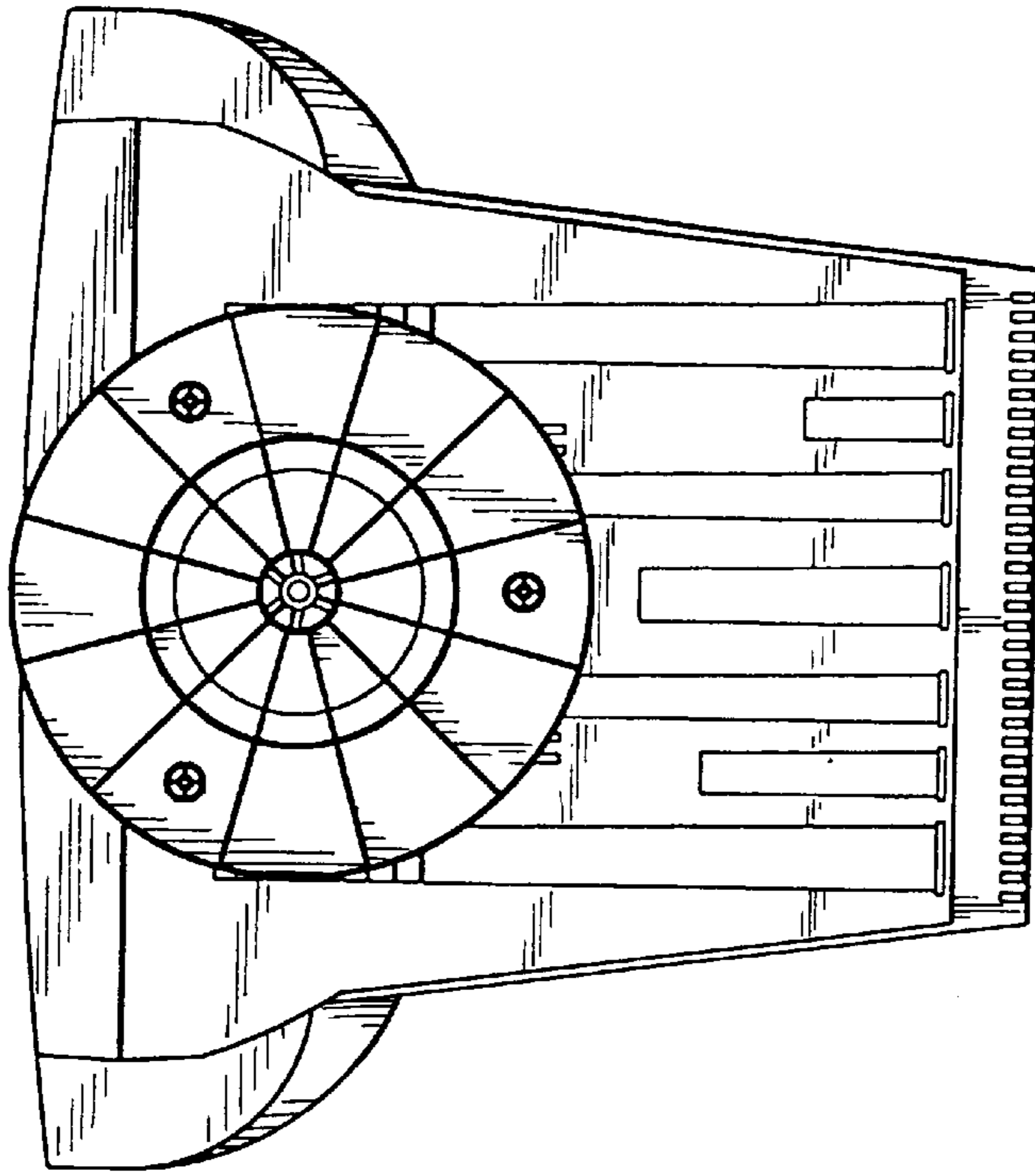


Fig.7