



US00D409166S

United States Patent [19]

Otis et al.

[11] Patent Number: **Des. 409,166**

[45] Date of Patent: **** May 4, 1999**

[54] **DATA STORAGE-MEDIA LIBRARY**

[75] Inventors: **Jonathan E. Otis; Neil McIlvane**, both of Seattle; **Mark A. McLean**, Kirkland, all of Wash.

[73] Assignee: **Advanced Digital Information Corp.**, Wash.

[**] Term: **14 Years**

[21] Appl. No.: **29/086,689**

[22] Filed: **Apr. 17, 1998**

[51] **LOC (6) Cl.** **14-02**

[52] **U.S. Cl.** **D14/107**

[58] **Field of Search** D14/100, 102, D14/107-109, 114, 115; D13/162, 184, 199; D6/432, 436, 445, 448; 312/208.1; 360/97.01, 97.04, 98.01, 99.01, 99.12; 361/694, 696

5,182,687	1/1993	Campbell et al.	360/92
5,235,474	8/1993	Searle	360/71
5,258,882	11/1993	Apple et al.	360/92
5,291,110	3/1994	Andrews, Jr. et al.	318/560
5,481,514	1/1996	Yamasaki et al.	369/36
5,781,367	7/1998	Searle et al.	360/92

FOREIGN PATENT DOCUMENTS

0 186 945	5/1986	European Pat. Off.	.
0 392 620	10/1990	European Pat. Off.	360/92
3612531	11/1986	Germany	360/92
61-92467	5/1986	Japan	360/92
62-239370	10/1987	Japan	360/92
62-239372	10/1987	Japan	360/92
62-239460	10/1987	Japan	360/92
63-244440	10/1988	Japan	.
2-42672	2/1990	Japan	360/92
3-44858	2/1991	Japan	360/92
3-91153	4/1991	Japan	360/92
4-10264	1/1992	Japan	360/92
4-163761	6/1992	Japan	360/92
5-144144	6/1993	Japan	360/92

Primary Examiner—Freda Nunn
Attorney, Agent, or Firm—Seed & Berry LLP

[56] **References Cited**

U.S. PATENT DOCUMENTS

D. 262,968	2/1982	Hutcheson	D14/107
D. 286,049	10/1986	Nishida	D14/107
D. 296,898	7/1988	Hara	D14/109
D. 324,209	2/1992	Tanabe	D14/107
D. 333,817	3/1993	Marotti	D14/109
3,809,263	5/1974	Dodd et al.	214/16.4
3,831,197	8/1974	Beach et al.	360/71
4,519,522	5/1985	McElwee	221/13
4,654,727	3/1987	Blum et al.	360/71
4,779,151	10/1988	Lind et al.	360/92
4,802,035	1/1989	Ohtsuka	360/92
4,816,943	3/1989	Tanaka et al.	360/92
4,817,070	3/1989	Hug et al.	369/36
4,864,511	9/1989	Moy et al.	364/478
4,945,429	7/1990	Munro et al.	360/92
4,984,106	1/1991	Herger et al.	360/92
5,016,127	5/1991	Inoue et al.	360/92
5,089,920	2/1992	Bryer et al.	360/92
5,157,564	10/1992	Theabold et al.	360/92

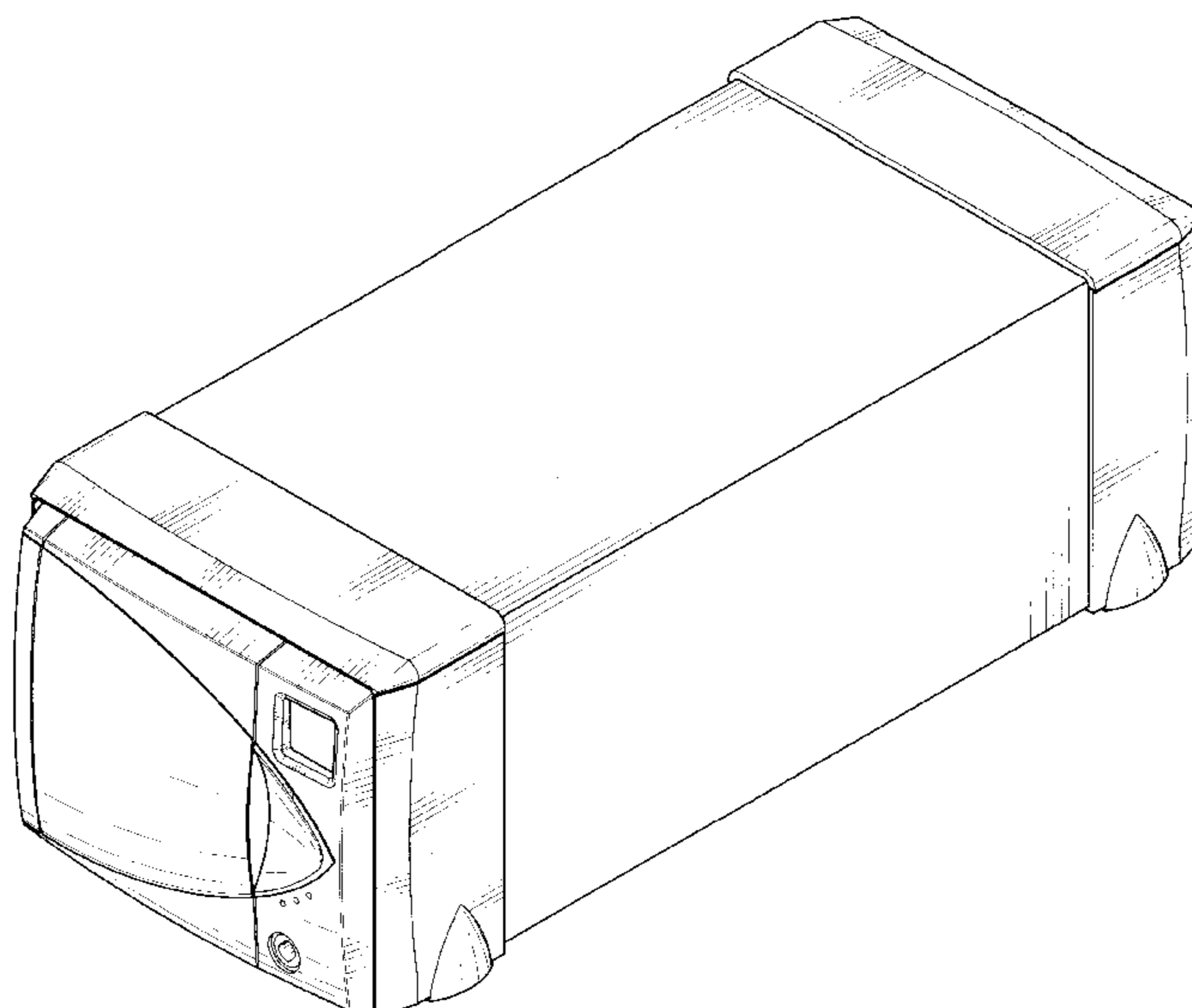
[57] **CLAIM**

The ornamental design for a data-storage-media library, as shown and described.

DESCRIPTION

FIG. 1 is a front perspective view of a data-storage-media library showing our new design; FIG. 2 is a front elevational view thereof; FIG. 3 is a rear elevational view thereof; FIG. 4 is a top plan view thereof; FIG. 5 is a bottom plan view thereof; FIG. 6 is a right side elevational view thereof; and, FIG. 7 is a left side elevational view thereof. The broken lines are shown in the views for illustrative purposes only and form no part of the claimed design.

1 Claim, 2 Drawing Sheets



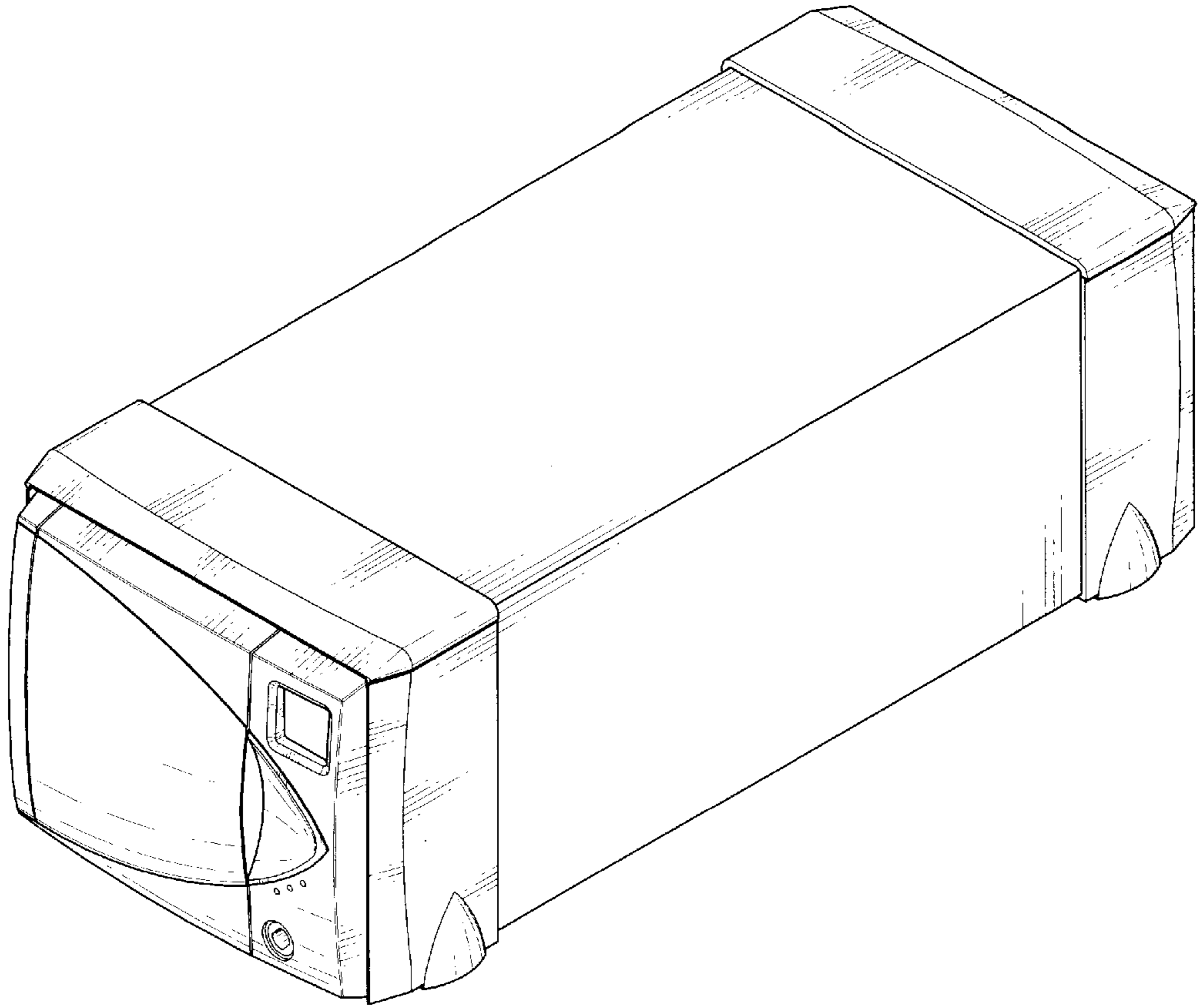


Fig. 1

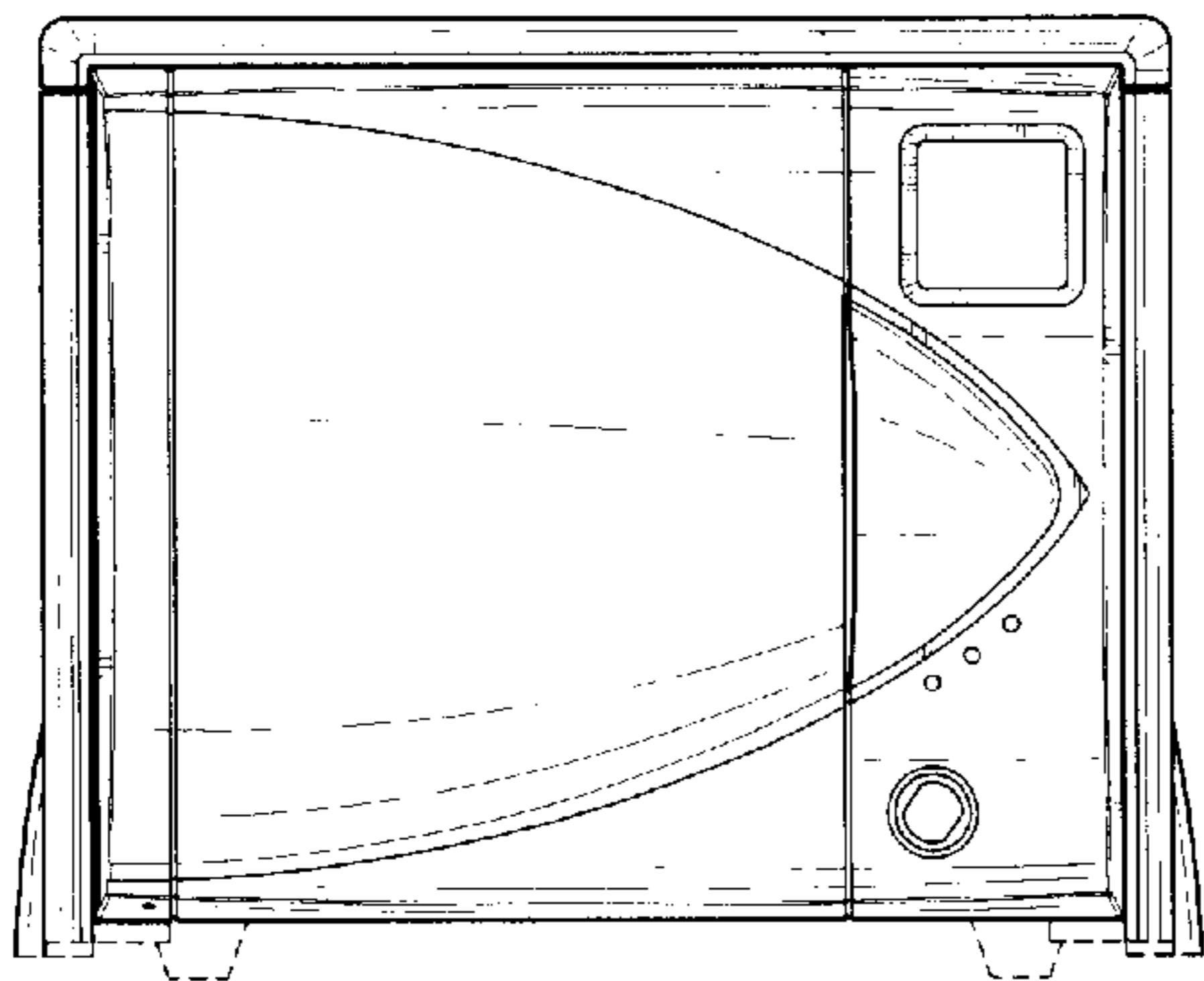


Fig. 2

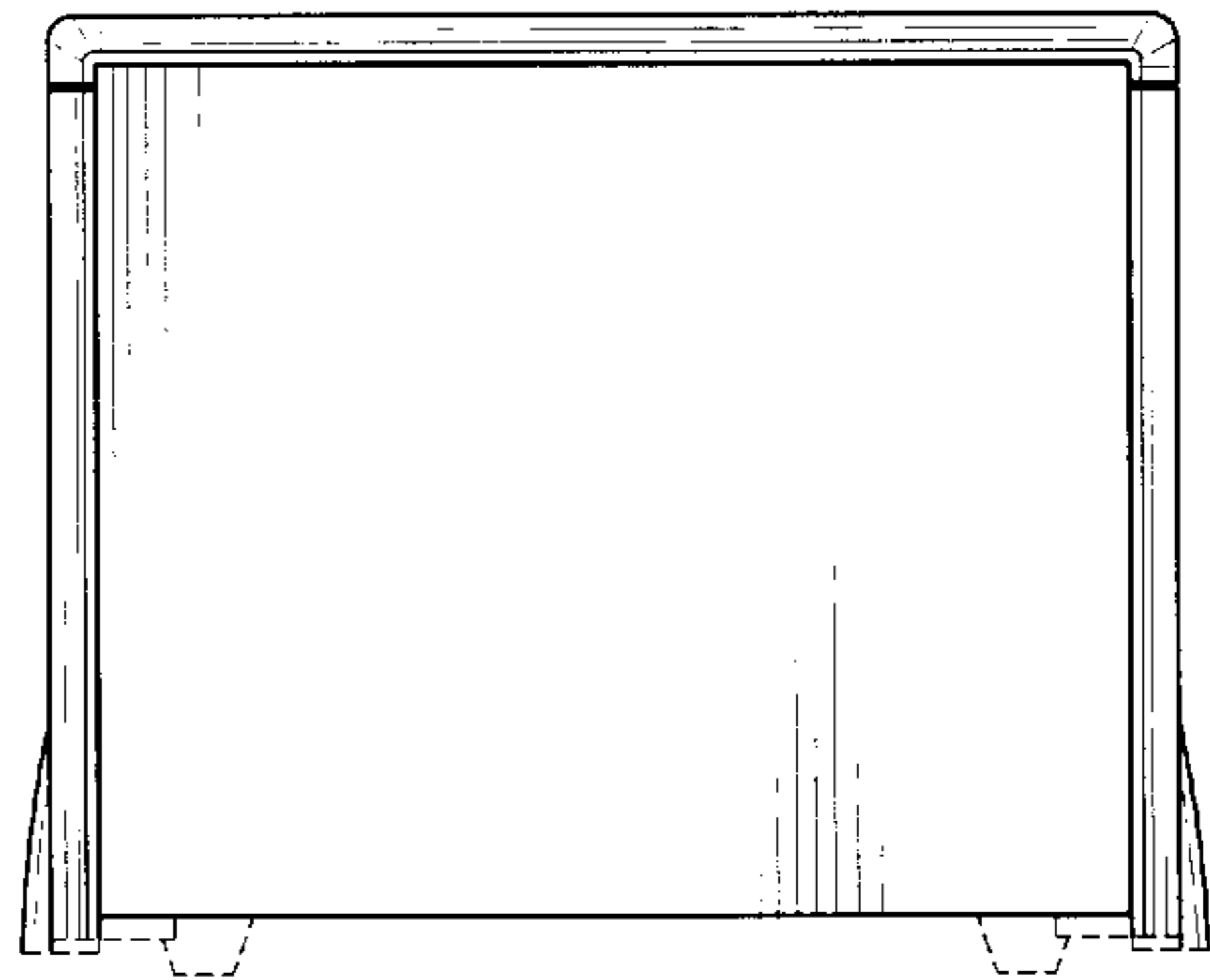


Fig. 3



Fig. 4

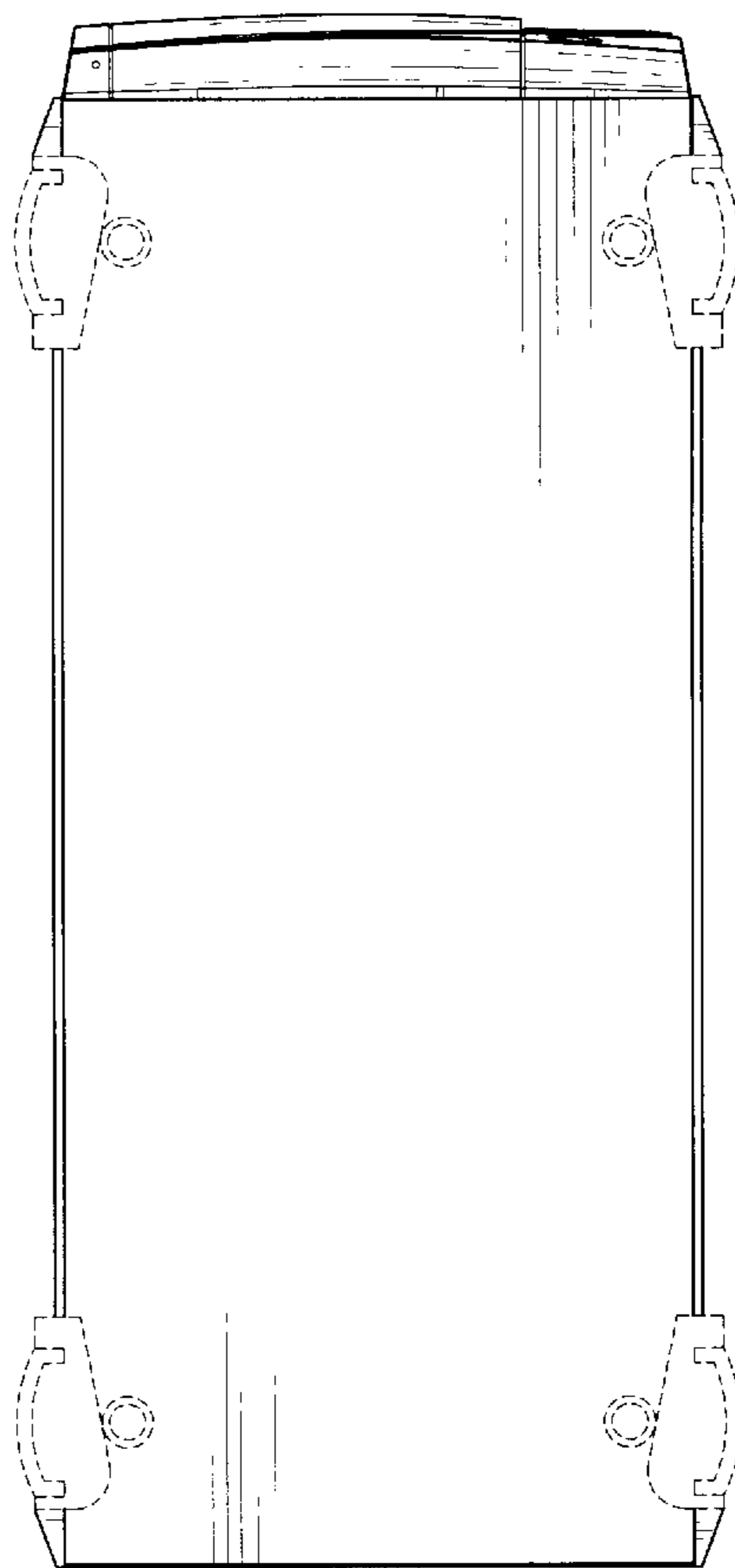


Fig. 5

Fig. 6

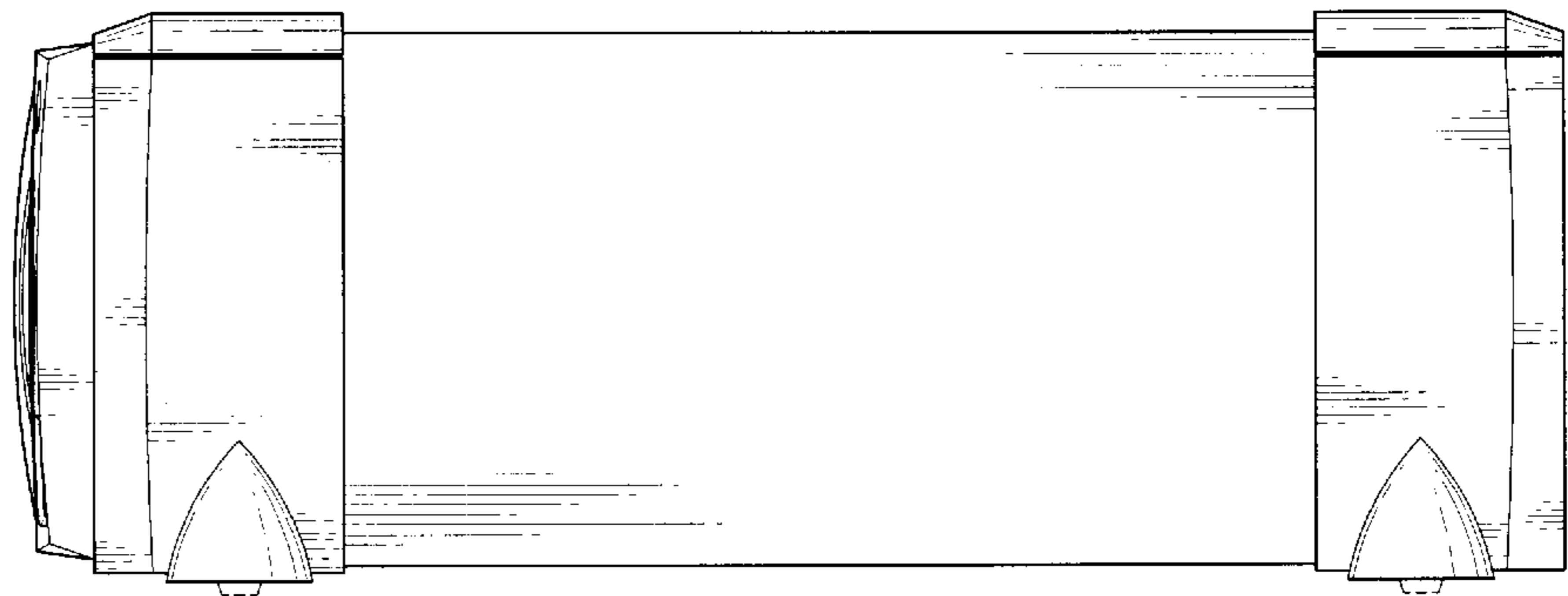


Fig. 7

