



US00D409165S

United States Patent [19]

Kobayashi et al.

[11] **Patent Number: Des. 409,165**

[45] **Date of Patent: ** May 4, 1999**

[54] **IMAGE INPUT DEVICE**

D. 357,907 5/1995 Kosako et al. D14/107
D. 377,168 1/1997 Chen et al. D14/107

[75] Inventors: **Makoto Kobayashi; Toshiaki Oshima,**
both of Suwa, Japan

Primary Examiner—Freda Nunn
Attorney, Agent, or Firm—Stroock & Stroock & Lavan LLP

[73] Assignee: **Seiko Epson Corporation,** Tokyo,
Japan

[57] **CLAIM**

[**] Term: **14 Years**

The ornamental design for an image input device, as shown and described.

[21] Appl. No.: **29/084,081**

[22] Filed: **Feb. 23, 1998**

DESCRIPTION

[30] **Foreign Application Priority Data**

Aug. 25, 1997 [JP] Japan 9-65604

FIG. 1 is a perspective view of the top, front and right side of an image input device showing our new design;

[51] **LOC (6) Cl.** **14-02**

FIG. 2 is a front elevational view thereof;

[52] **U.S. Cl.** **D14/107**

FIG. 3 is a rear elevational view thereof;

[58] **Field of Search** D14/100, 105,
D14/107, 118; D18/36, 37, 39; 250/556;
235/454, 470; 355/64, 65, 75, 81

FIG. 4 is a top plan view thereof;

FIG. 5 is a right side elevational view thereof;

FIG. 6 is a left side elevational view thereof; and,

FIG. 7 is a bottom plan view thereof.

[56] **References Cited**

U.S. PATENT DOCUMENTS

D. 354,076 1/1995 Fukuda et al. D18/36

1 Claim, 3 Drawing Sheets

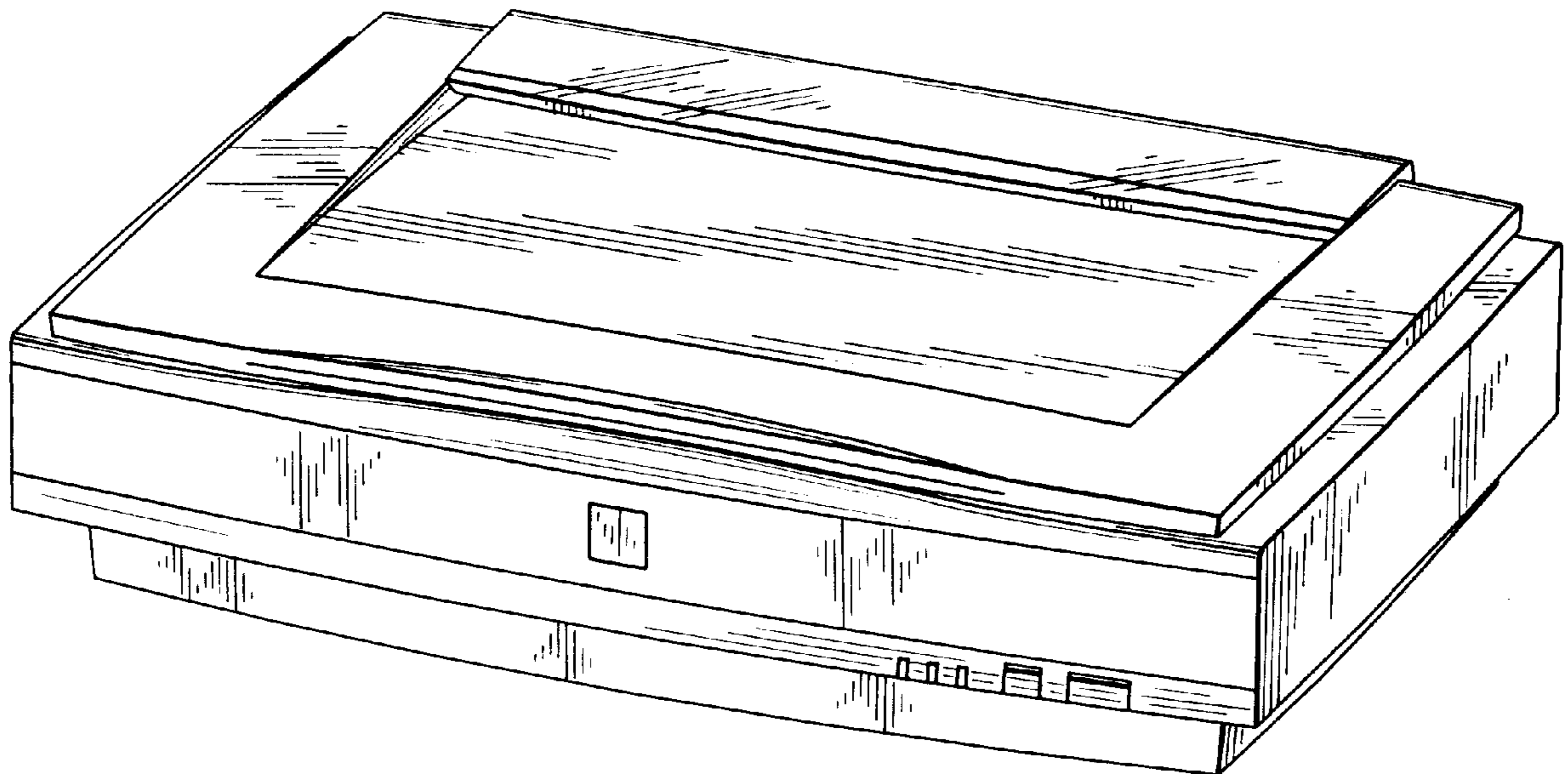


FIG. 1

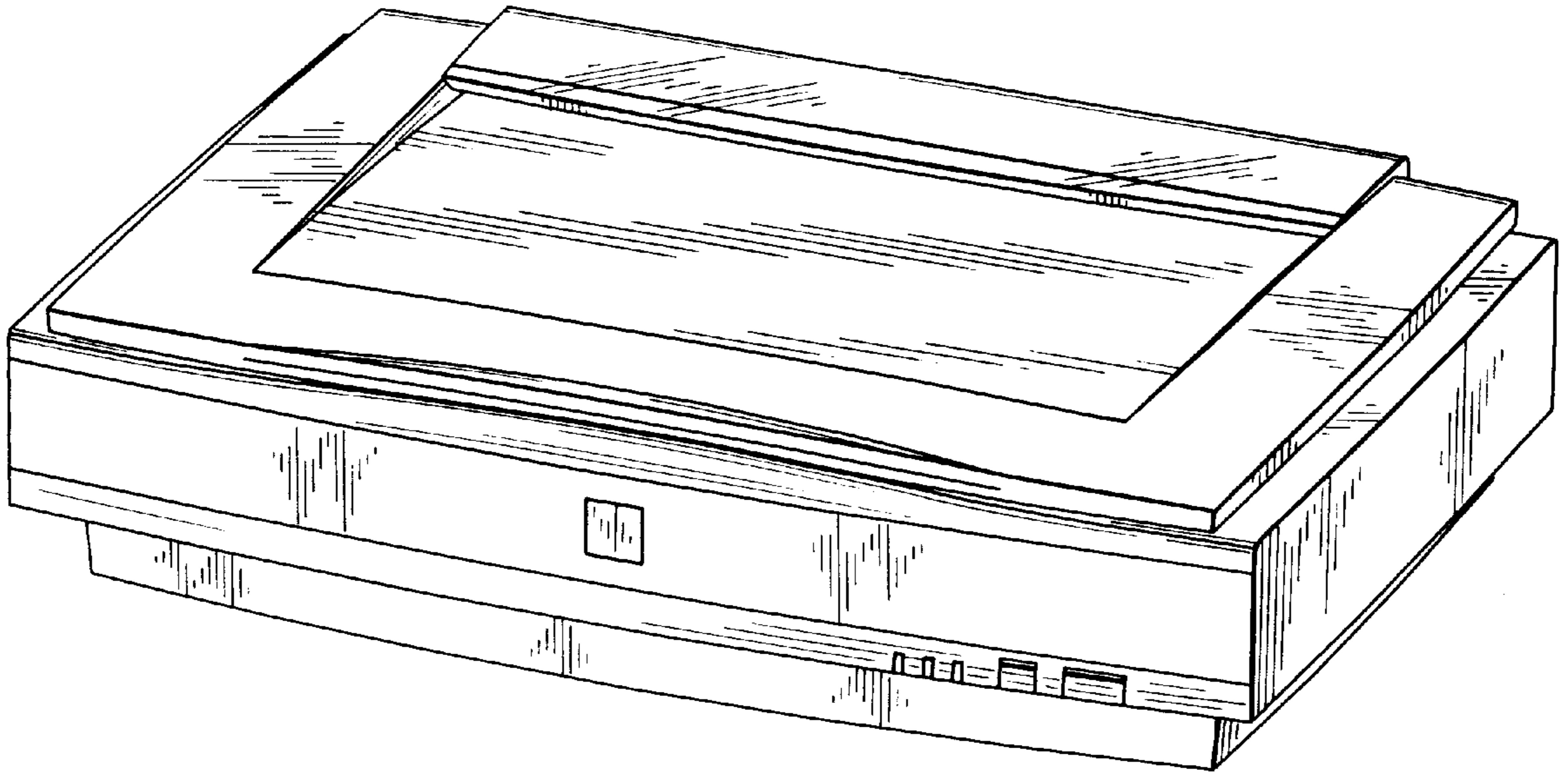


FIG. 2

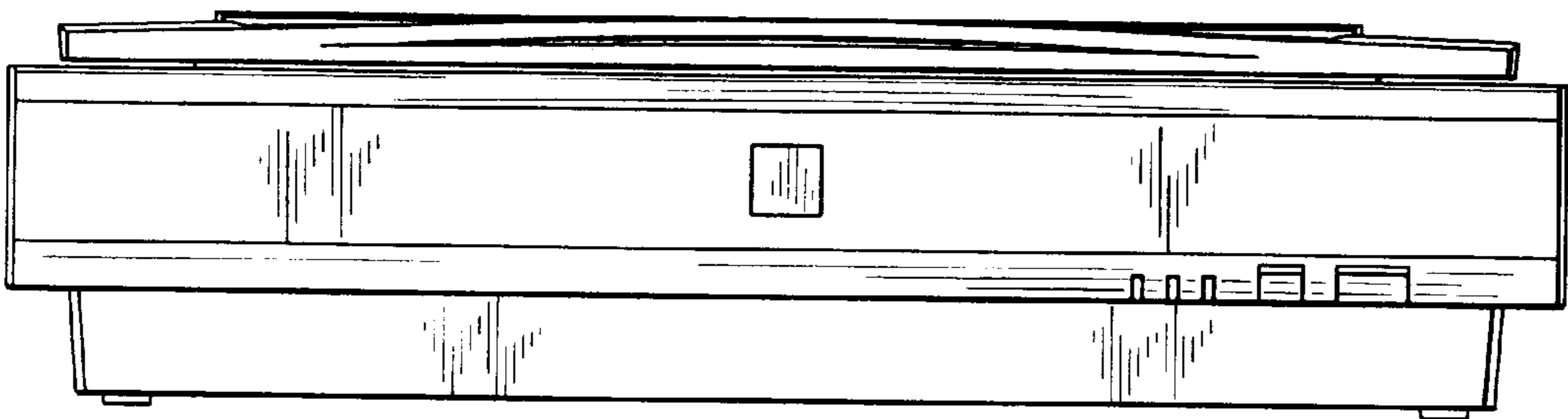


FIG. 3

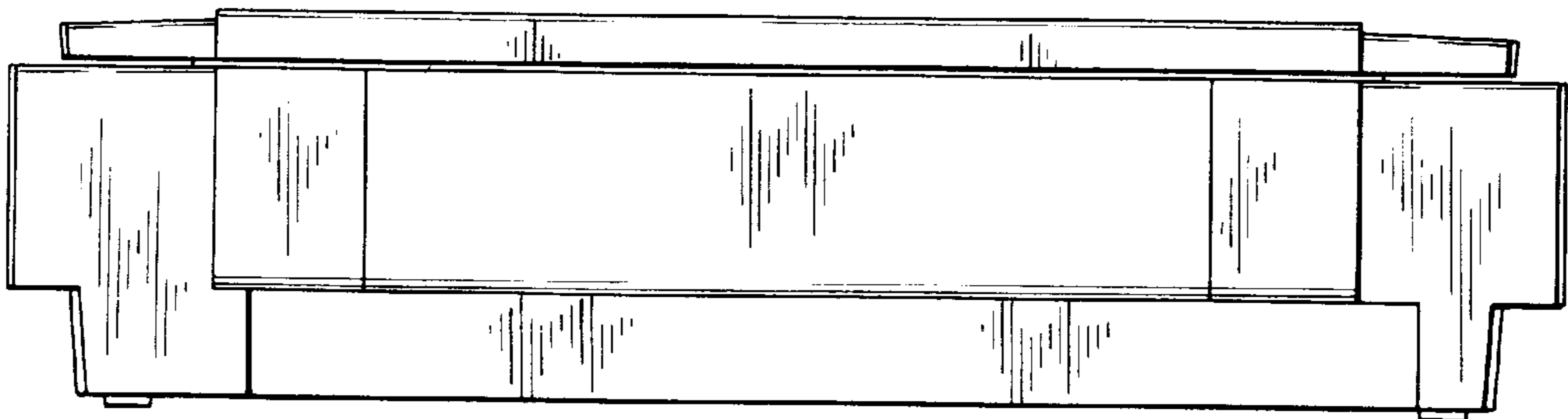


FIG. 4

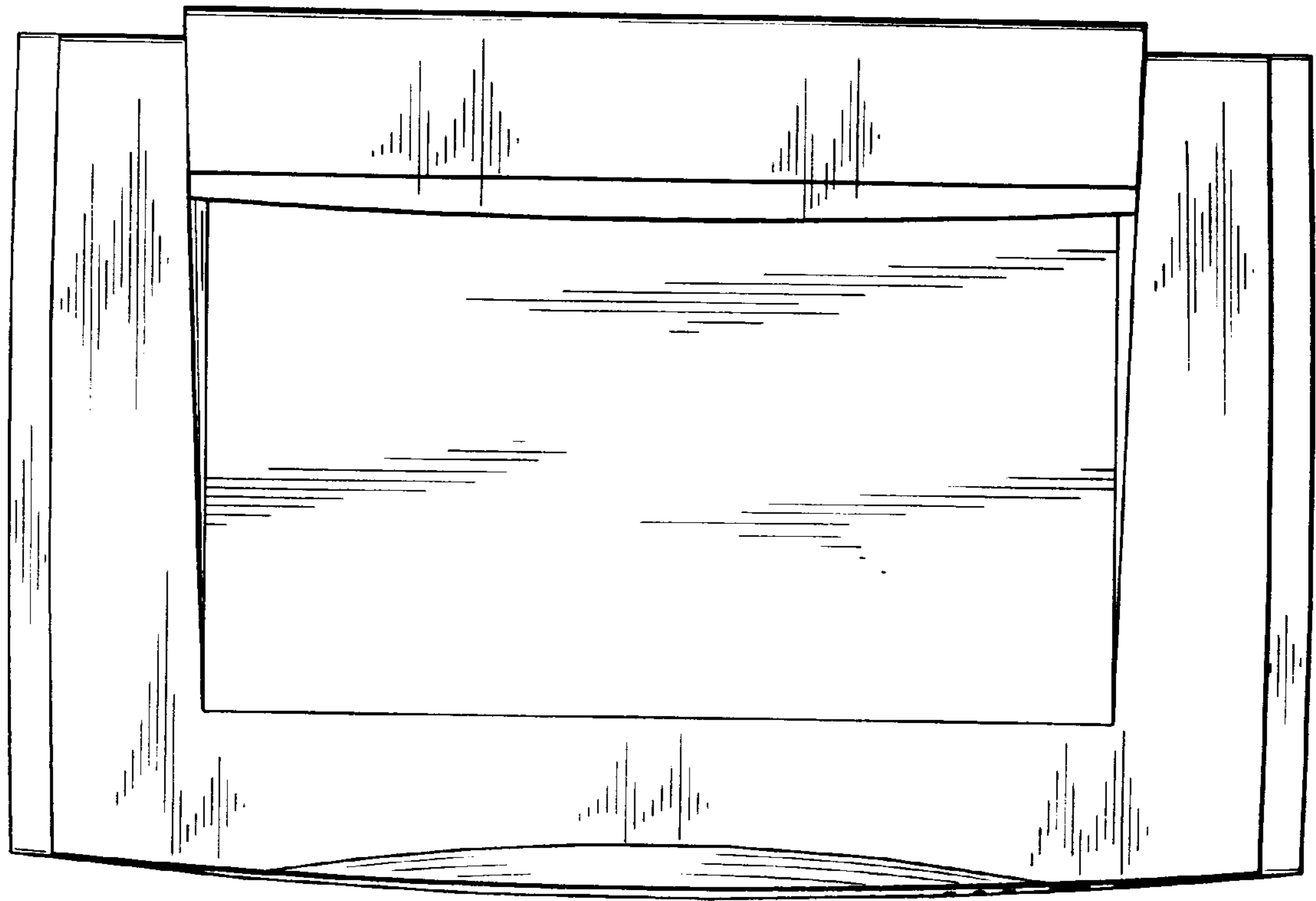


FIG. 5

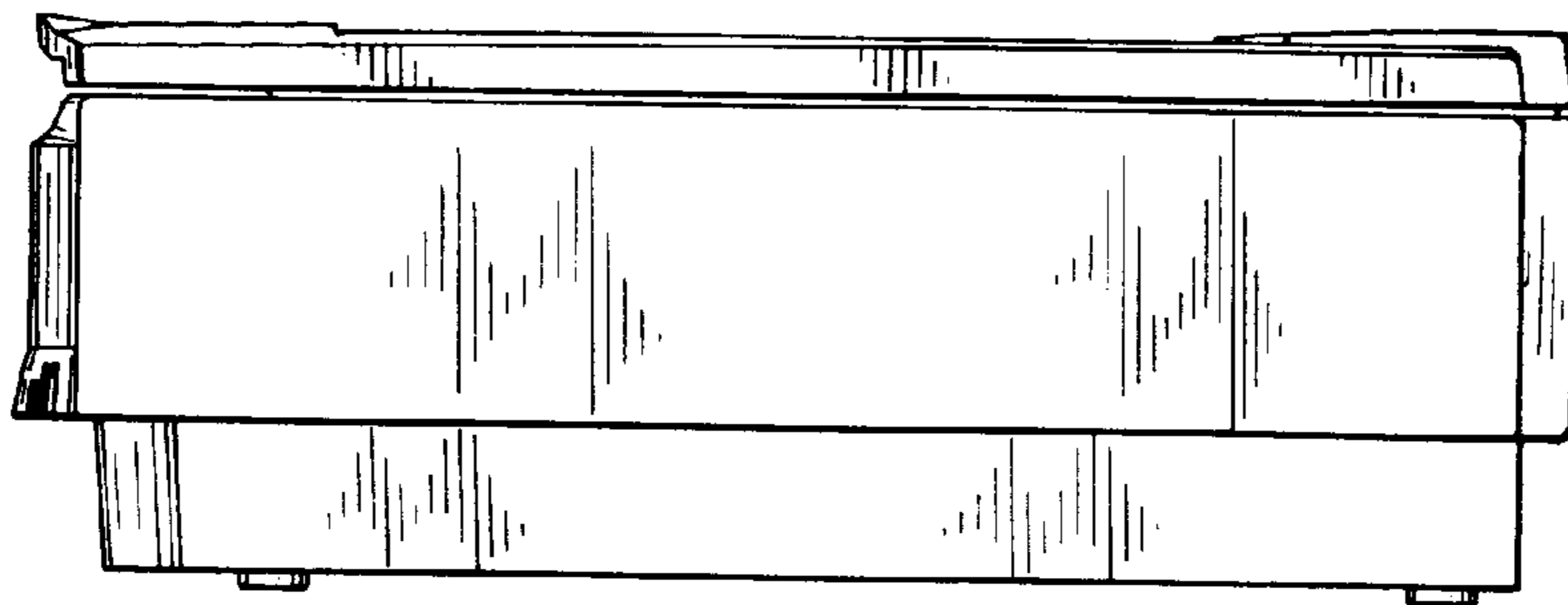


FIG. 6

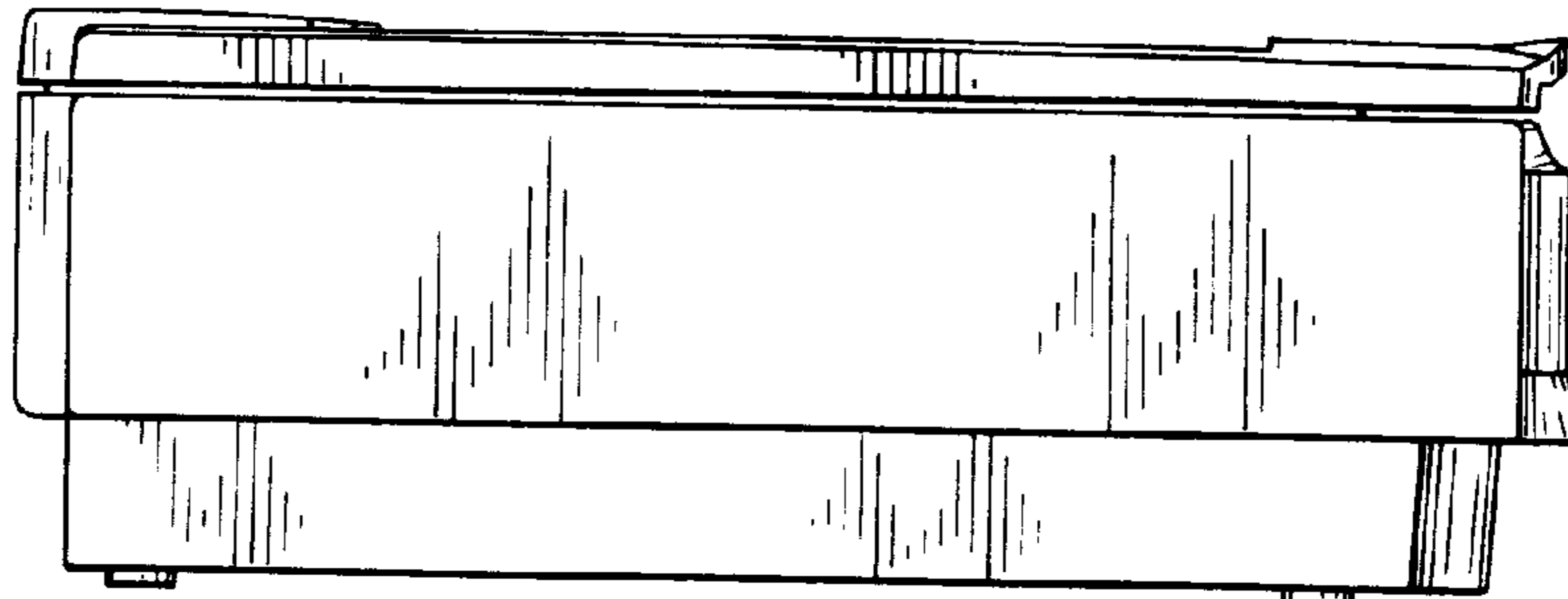


FIG. 7

