



US00D409159S

United States Patent [19]

Wein, Jr.

[11] **Patent Number: Des. 409,159**

[45] **Date of Patent: ** May 4, 1999**

[54] **FACE PLATE FOR A PRINTED CIRCUIT BOARD**

3,970,198 7/1976 Prater 211/41.17
5,010,444 4/1991 Storrow et al. 361/798 X

[75] Inventor: **Paul S. Wein, Jr.**, Bixby, Okla.

Primary Examiner—Alan P. Douglas
Assistant Examiner—Lavone D. Tabor
Attorney, Agent, or Firm—McAfee & Taft

[73] Assignee: **Infinitec Communications, Inc.**, Tulsa, Okla.

[57] **CLAIM**

[**] Term: **14 Years**

The ornamental design for a face plate for a printed circuit board, as shown and described.

[21] Appl. No.: **29/087,187**

DESCRIPTION

[22] Filed: **Apr. 28, 1998**

[51] **LOC (6) Cl.** **13-03**

[52] **U.S. Cl.** **D13/182; D13/177**

[58] **Field of Search** D13/173, 177,
D13/182; 174/35 R, 66; 361/737, 748,
796, 798, 801; 29/278, 747, 758, 759, 764;
294/15, 34; 439/329, 476.1; 211/41.17

FIG. 1 is a front elevational view of a face plate for a printed circuit board showing my new design, with the rear forming no part of the claimed design and the broken lines showing a printed circuit board being for illustrative purposes only and forming no part of the claimed design;
FIG. 2 is a side elevational view as seen from the left of FIG. 1;
FIG. 3 is an elevational view of the opposite side thereof; and,
FIG. 4 is a perspective view thereof, the bottom edge being a mirror image of the top edge shown.

[56] **References Cited**

U.S. PATENT DOCUMENTS

D. 309,292 7/1990 Sucato D13/182
3,245,546 4/1966 Stuhler 211/41.17

1 Claim, 2 Drawing Sheets

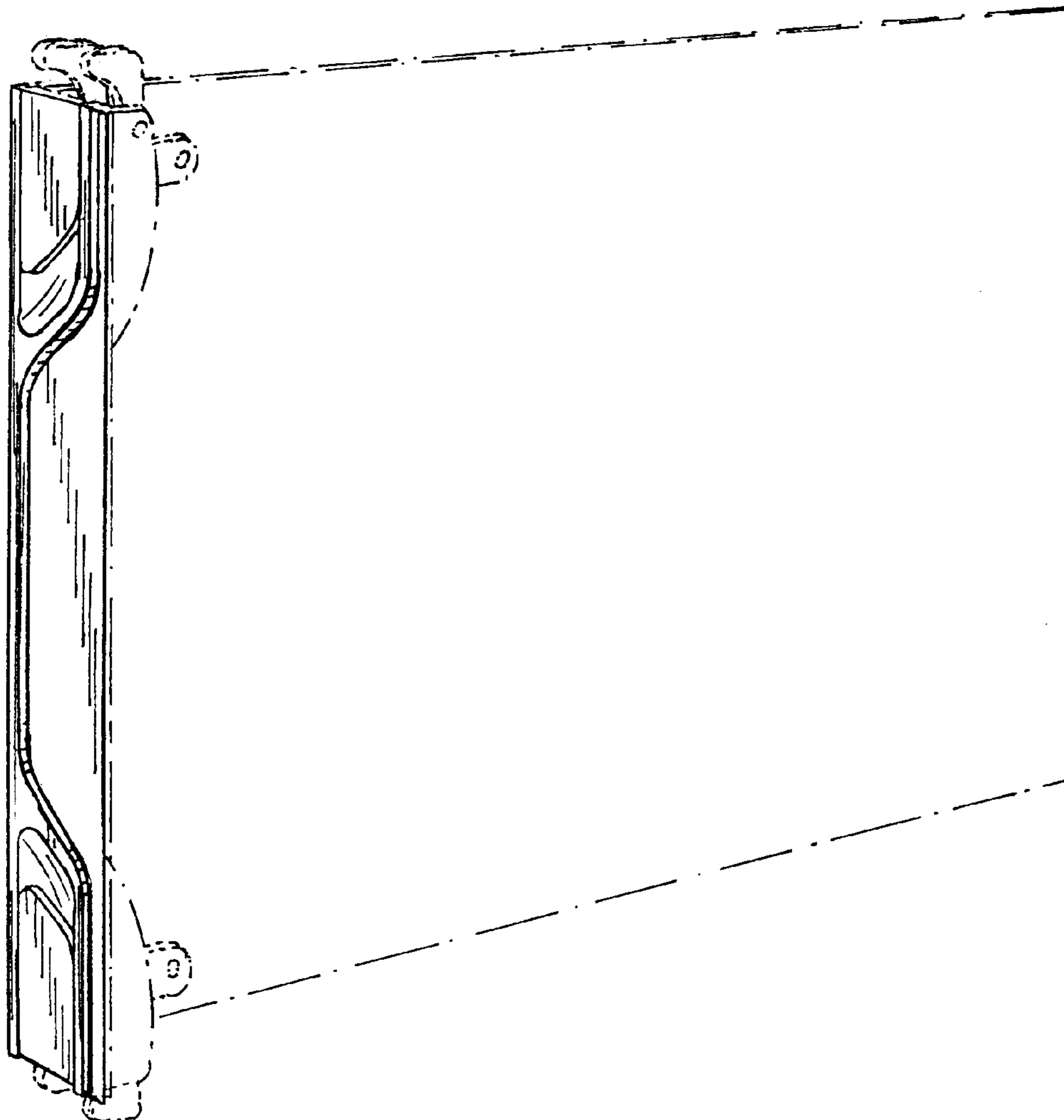




FIG. 1

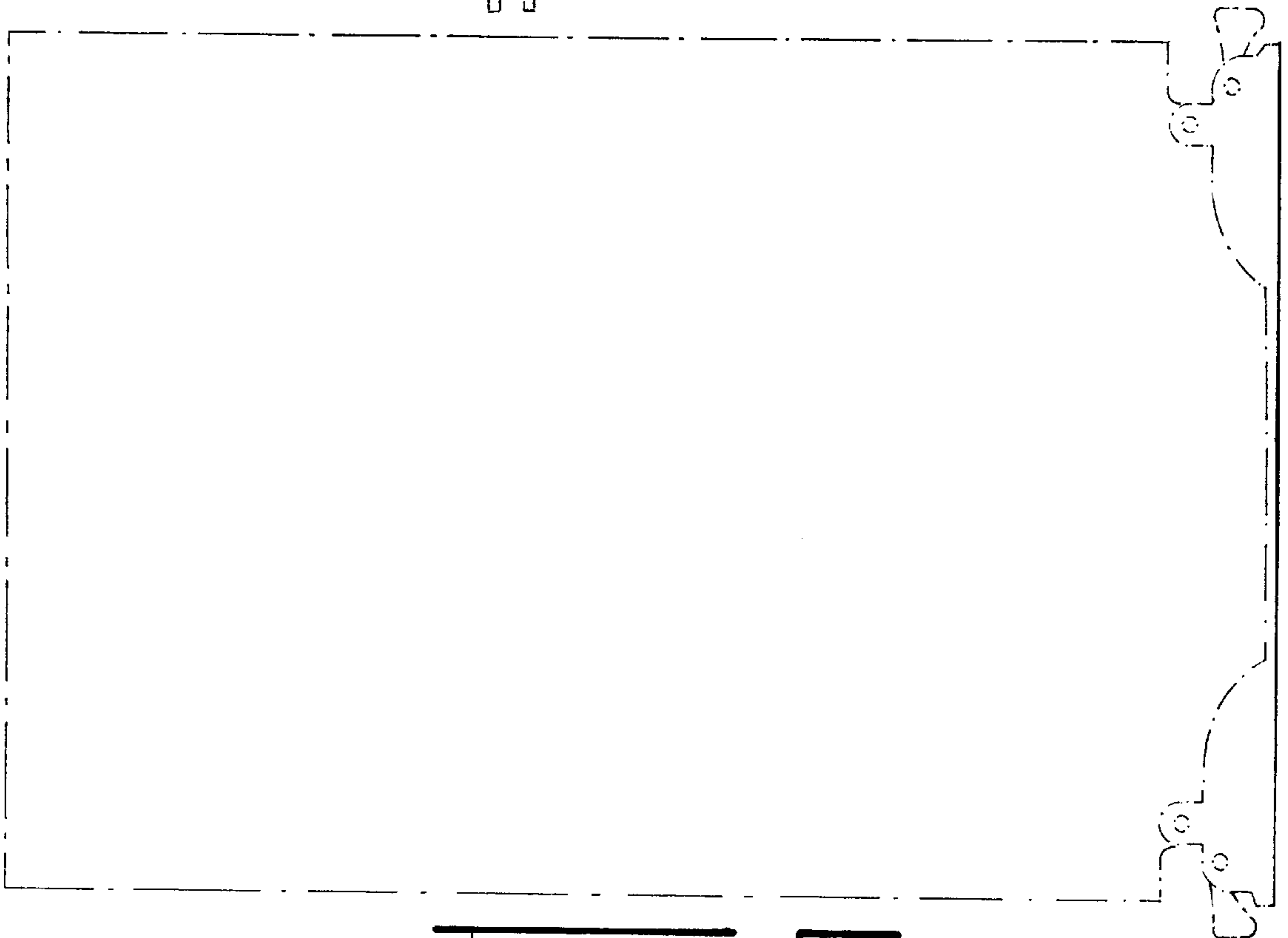


FIG. 2

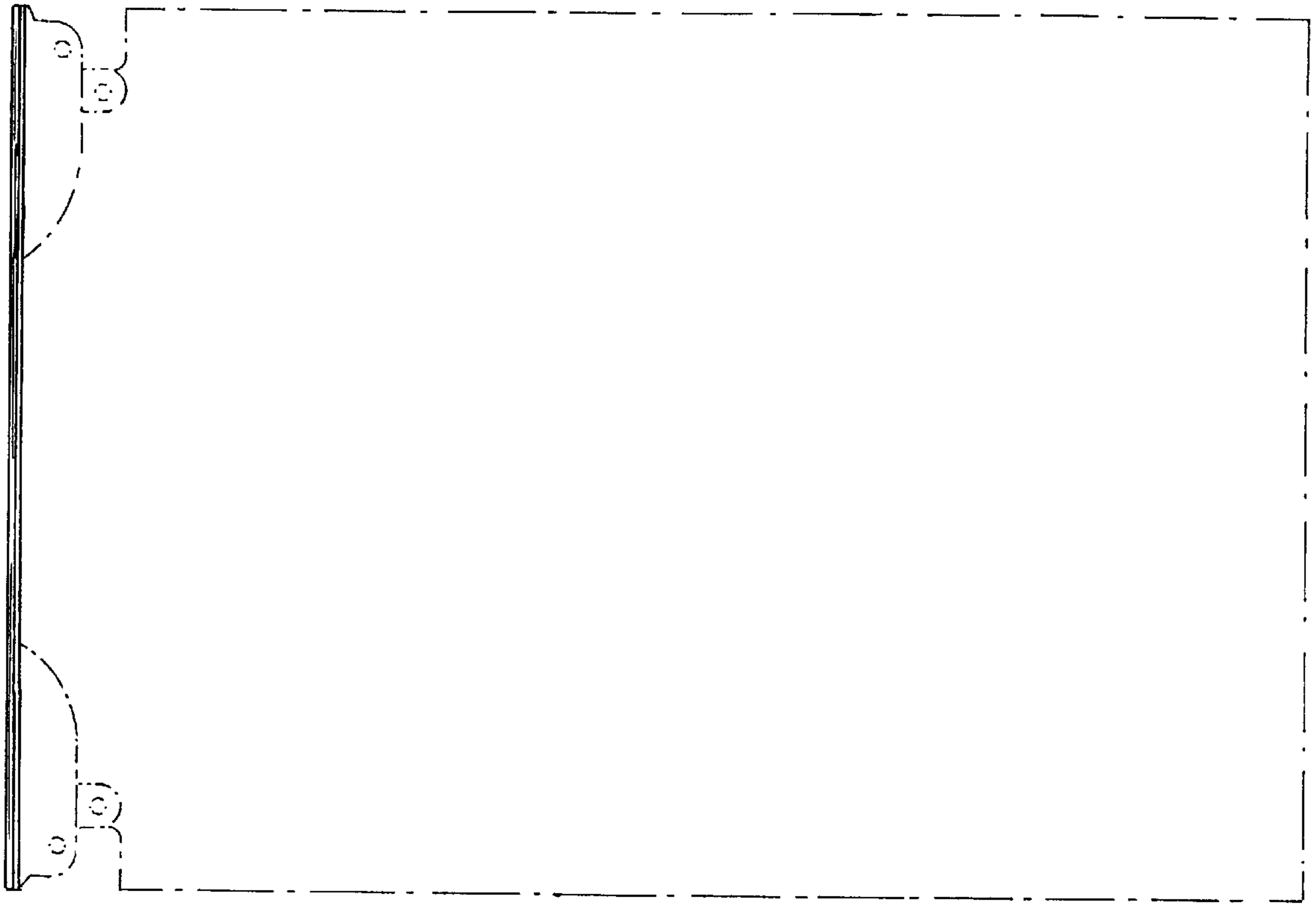


FIG. 3

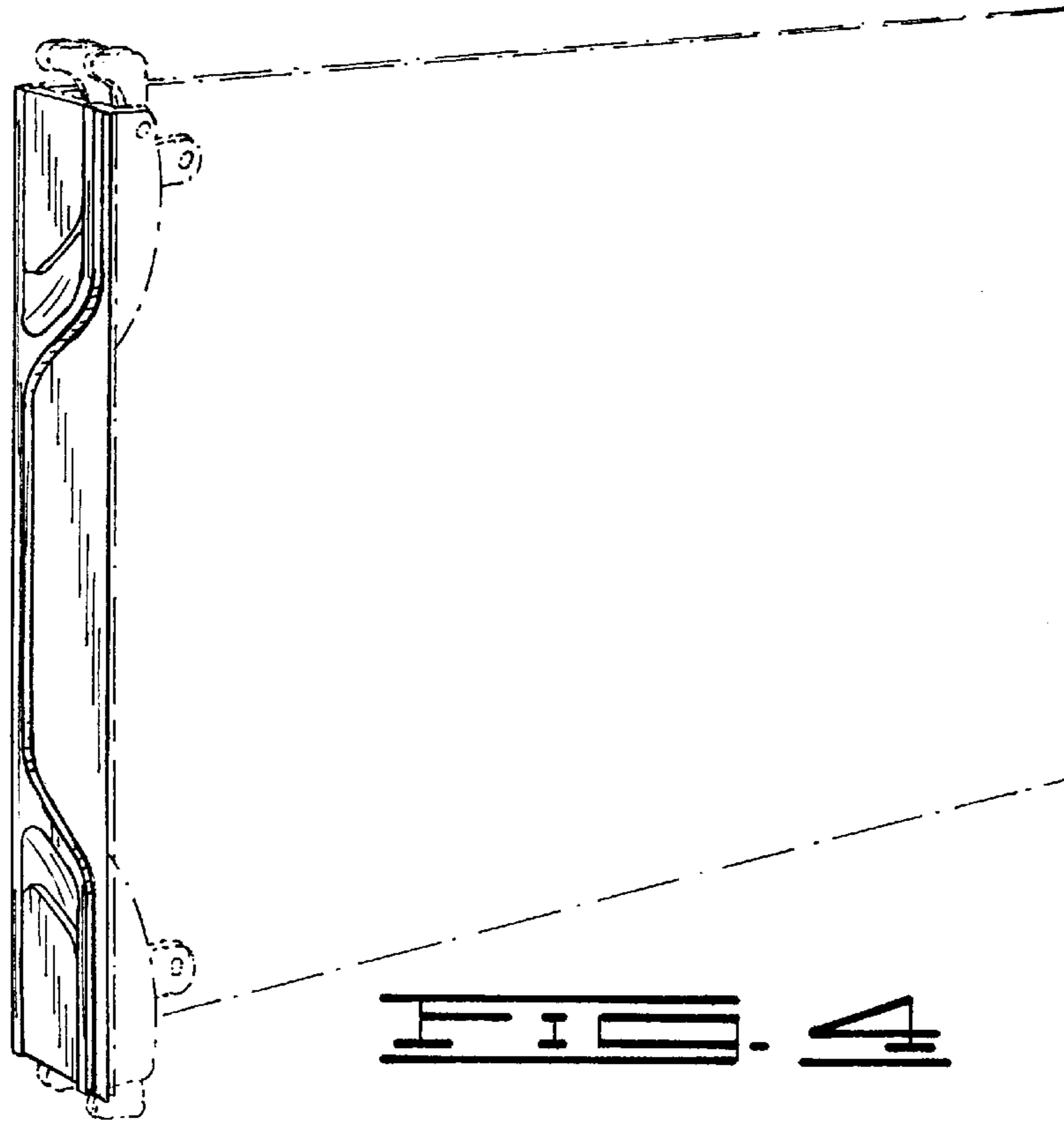


FIG. 4