



US00D409156S

# United States Patent [19]

[11] **Patent Number: Des. 409,156**

Taylor et al.

[45] **Date of Patent: \*\* May 4, 1999**

[54] **LAMP SWITCH ADAPTER**

*Attorney, Agent, or Firm*—Benesch, Friedlander, Coplan & Aronoff LLP

[75] Inventors: **Curtis Taylor**, Chagrin Falls; **Nicholas E. Stanca**, Westlake, both of Ohio

[57] **CLAIM**

[73] Assignee: **Apex Medical Corp.**, Sioux Falls, S. Dak.

The ornamental design for lamp switch adapter, as shown and described.

[\*\*] Term: **14 Years**

**DESCRIPTION**

[21] Appl. No.: **29/074,970**

FIG. 1 is a front perspective view of the lamp switch adapter, showing our new design;

[22] Filed: **Aug. 11, 1997**

FIG. 2 is a rear perspective view thereof;

[51] **LOC (6) Cl.** ..... **13-03**

FIG. 3 is a top plan view thereof;

[52] **U.S. Cl.** ..... **D13/174**

FIG. 4 is a front plan view thereof;

[58] **Field of Search** ..... D13/173, 174,  
D13/175; D8/300, 310; 16/110 R, 121;  
D23/238-241

FIG. 5 is a side elevational view taken from the left side of FIG. 6;

FIG. 6 is a rear plan view thereof;

FIG. 7 is a bottom plan view thereof;

[56] **References Cited**

FIG. 8 is a front perspective view of the lamp switch adapter, as being installed onto a lamp switch knob.

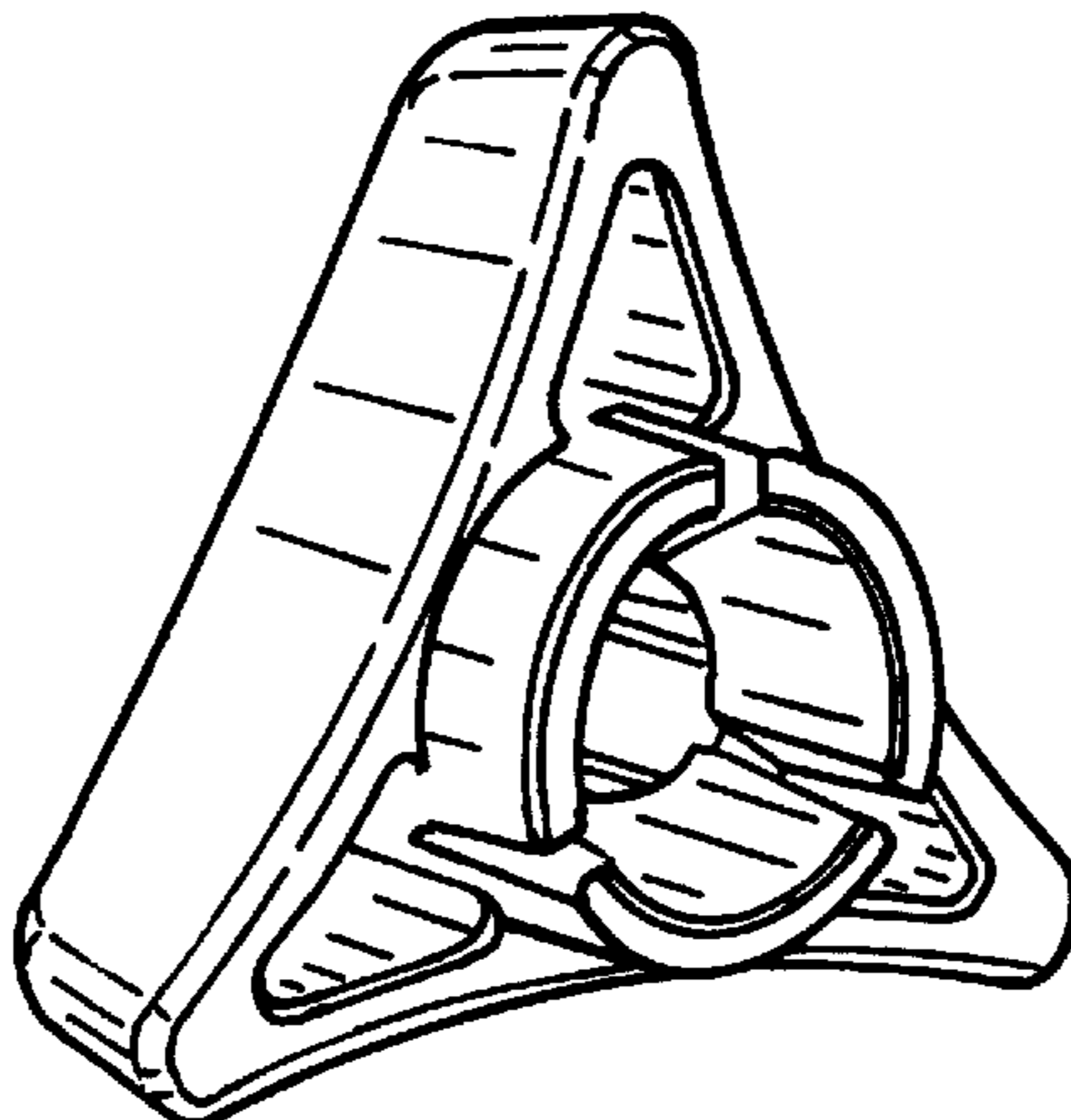
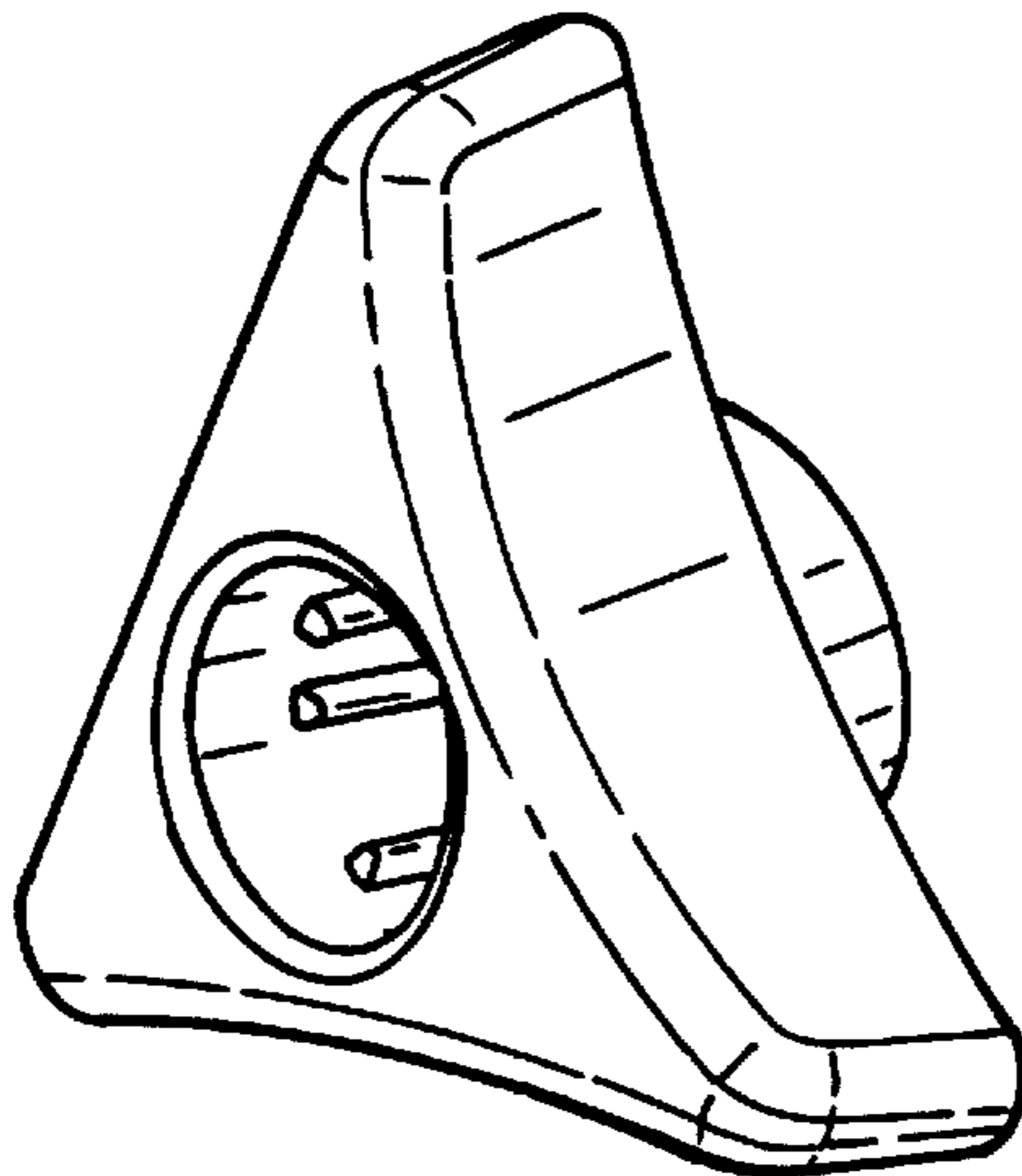
**U.S. PATENT DOCUMENTS**

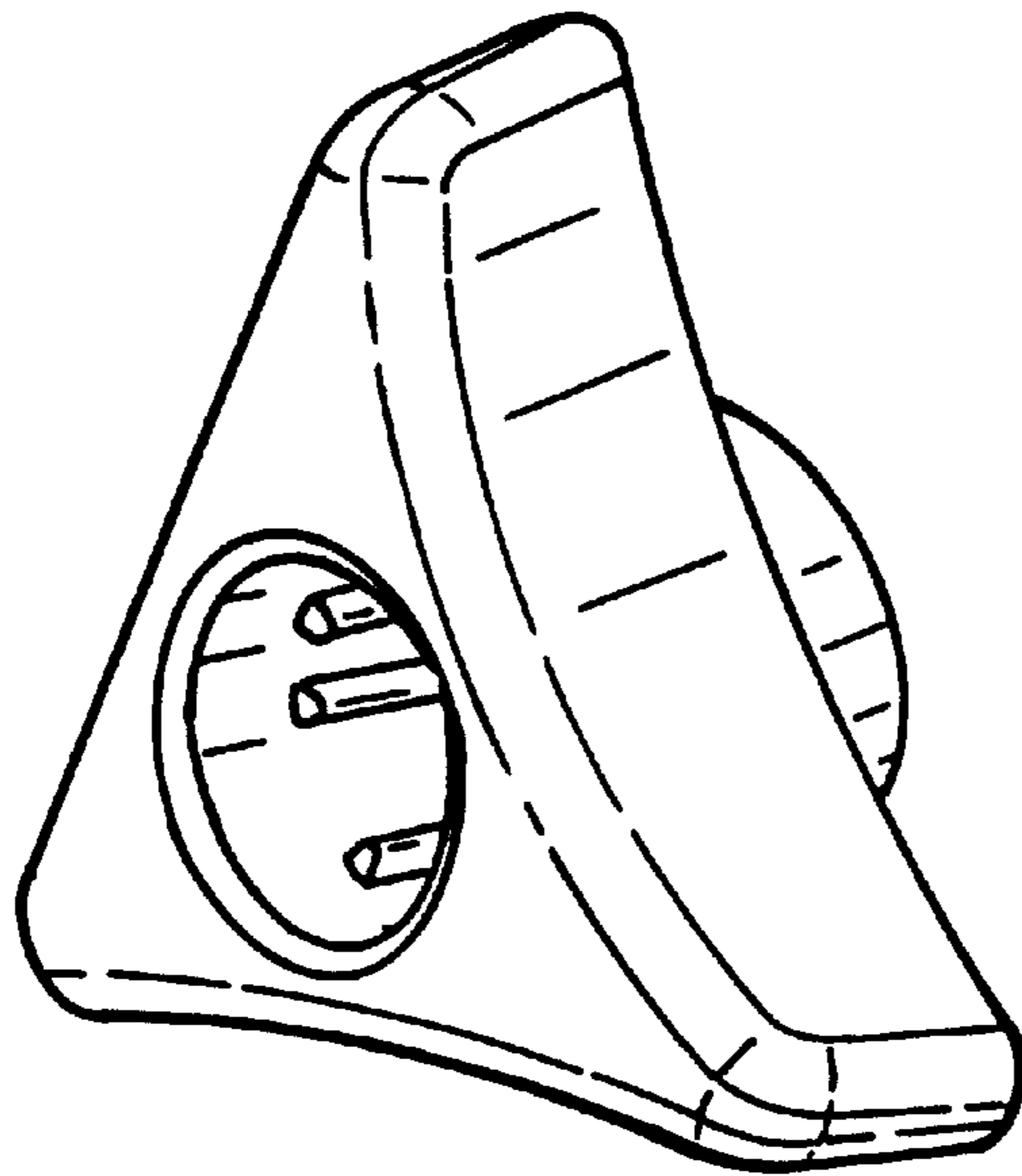
The broken line disclosure of the lamp in FIG. 8 is for illustrative purposes only and forms no part of the claimed design.

- D. 138,322 7/1944 Melichar ..... D13/174
- D. 269,409 6/1983 Ferdinand et al. .... D8/310 X

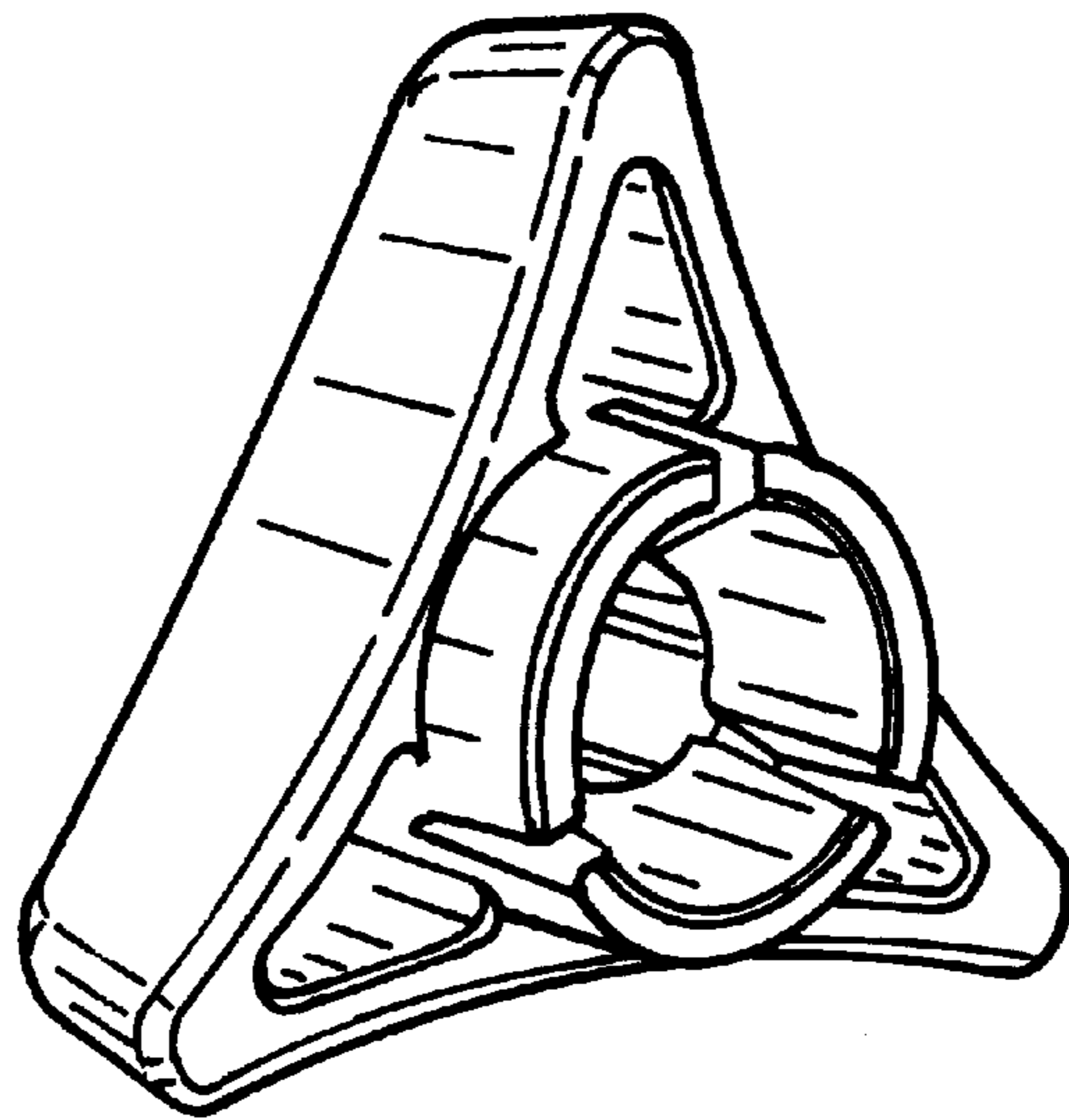
*Primary Examiner*—Brian N. Vinson

**1 Claim, 3 Drawing Sheets**





*FIG. 1*



*FIG. 2*

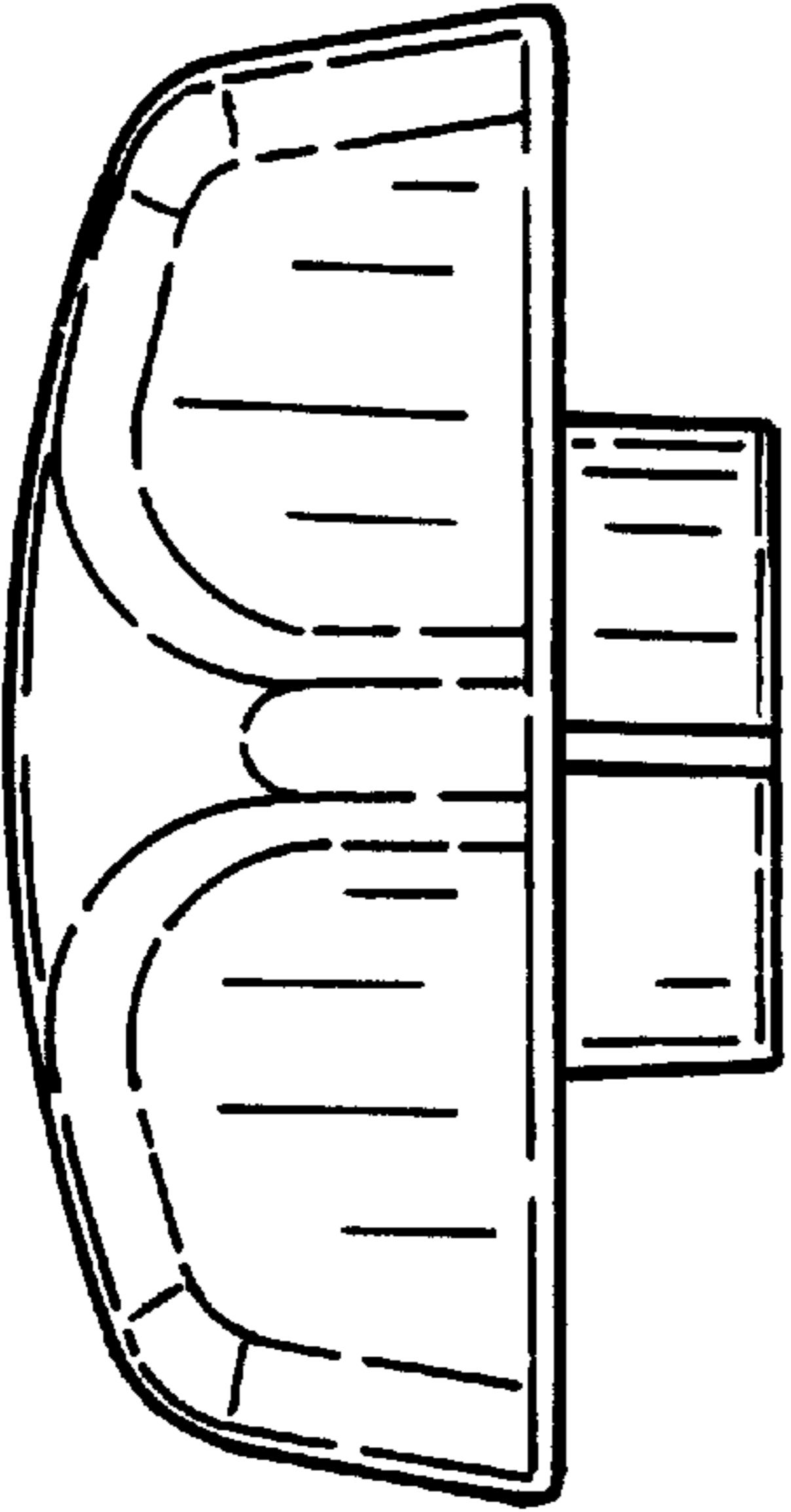


FIG. 3

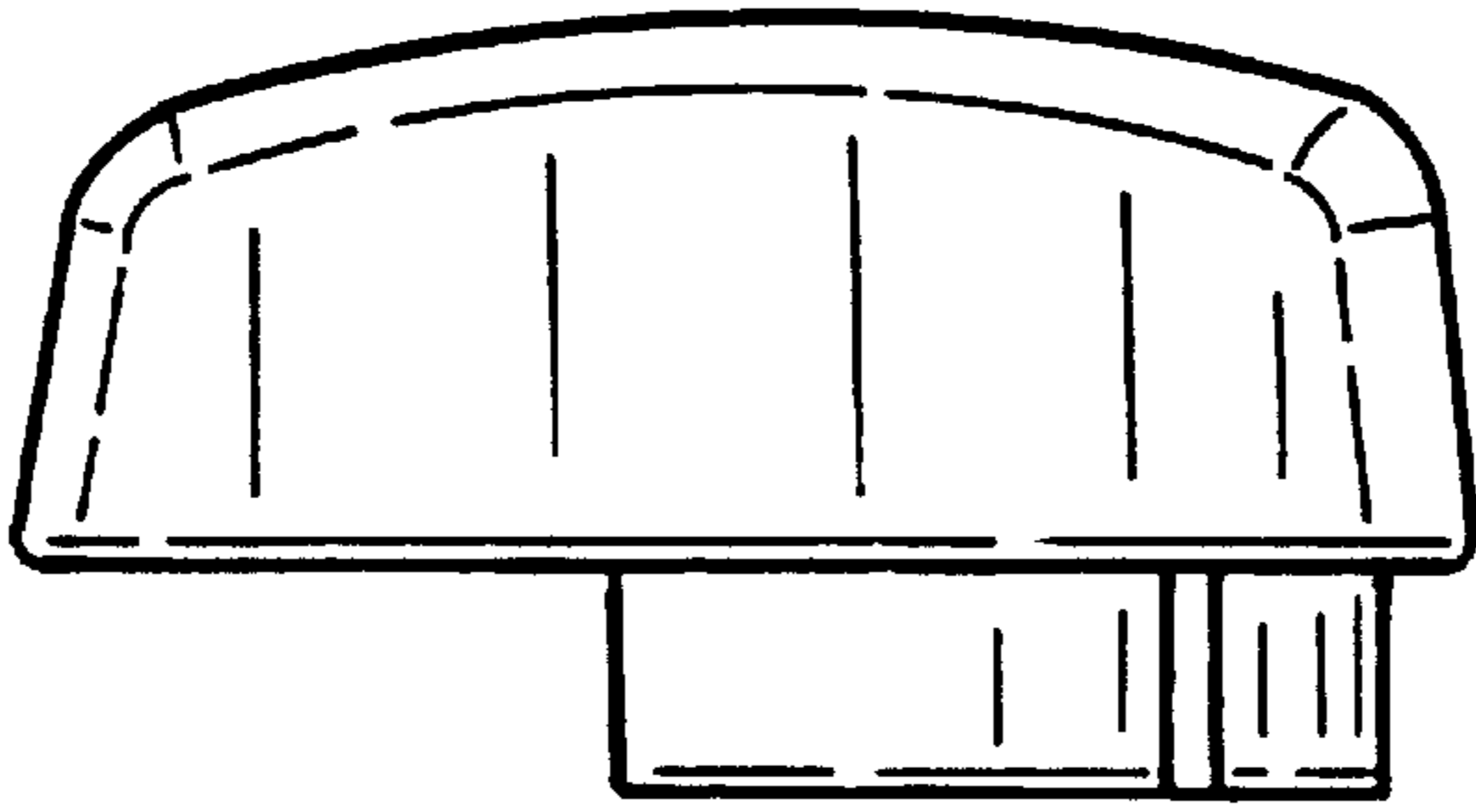


FIG. 5

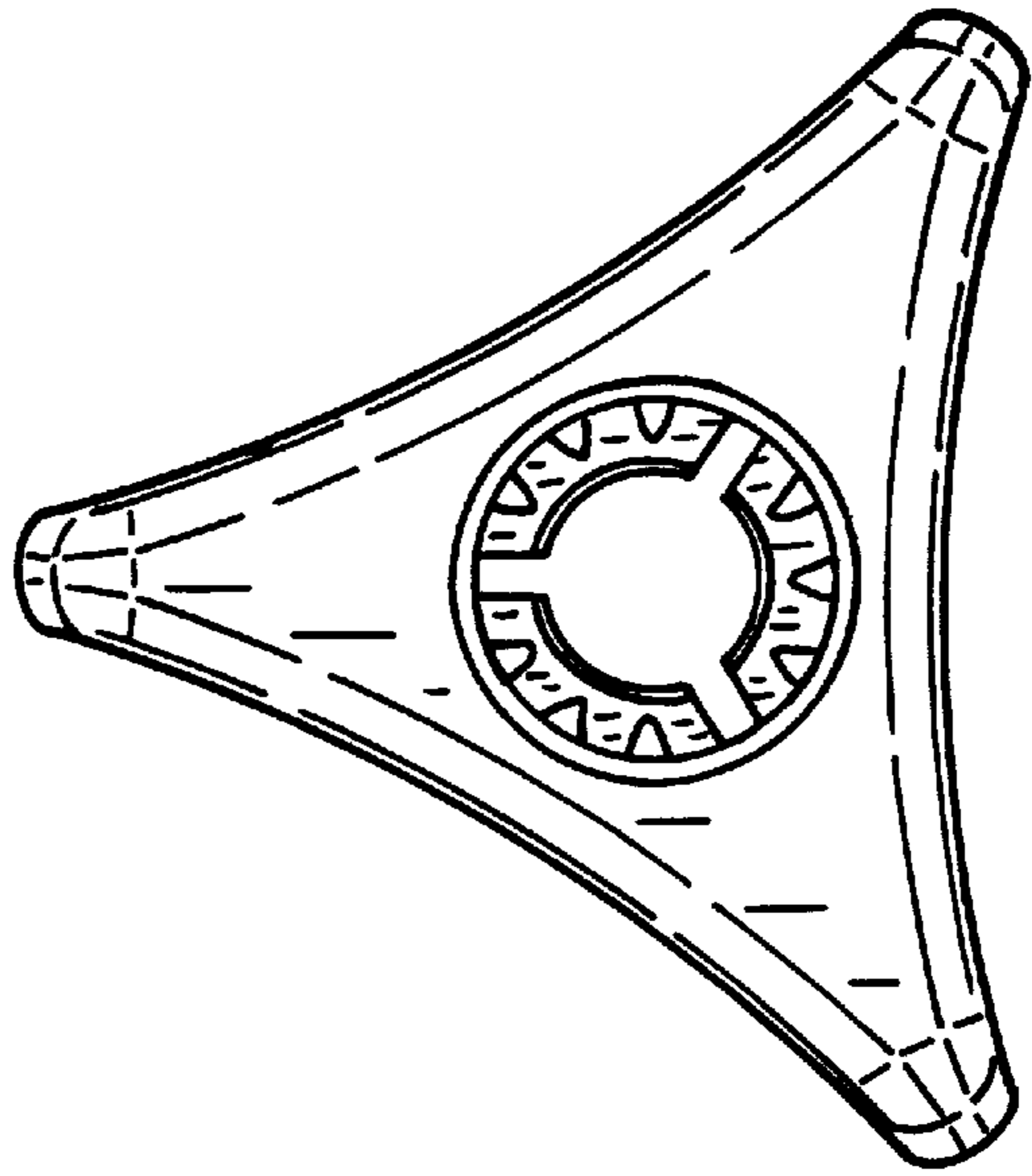


FIG. 4

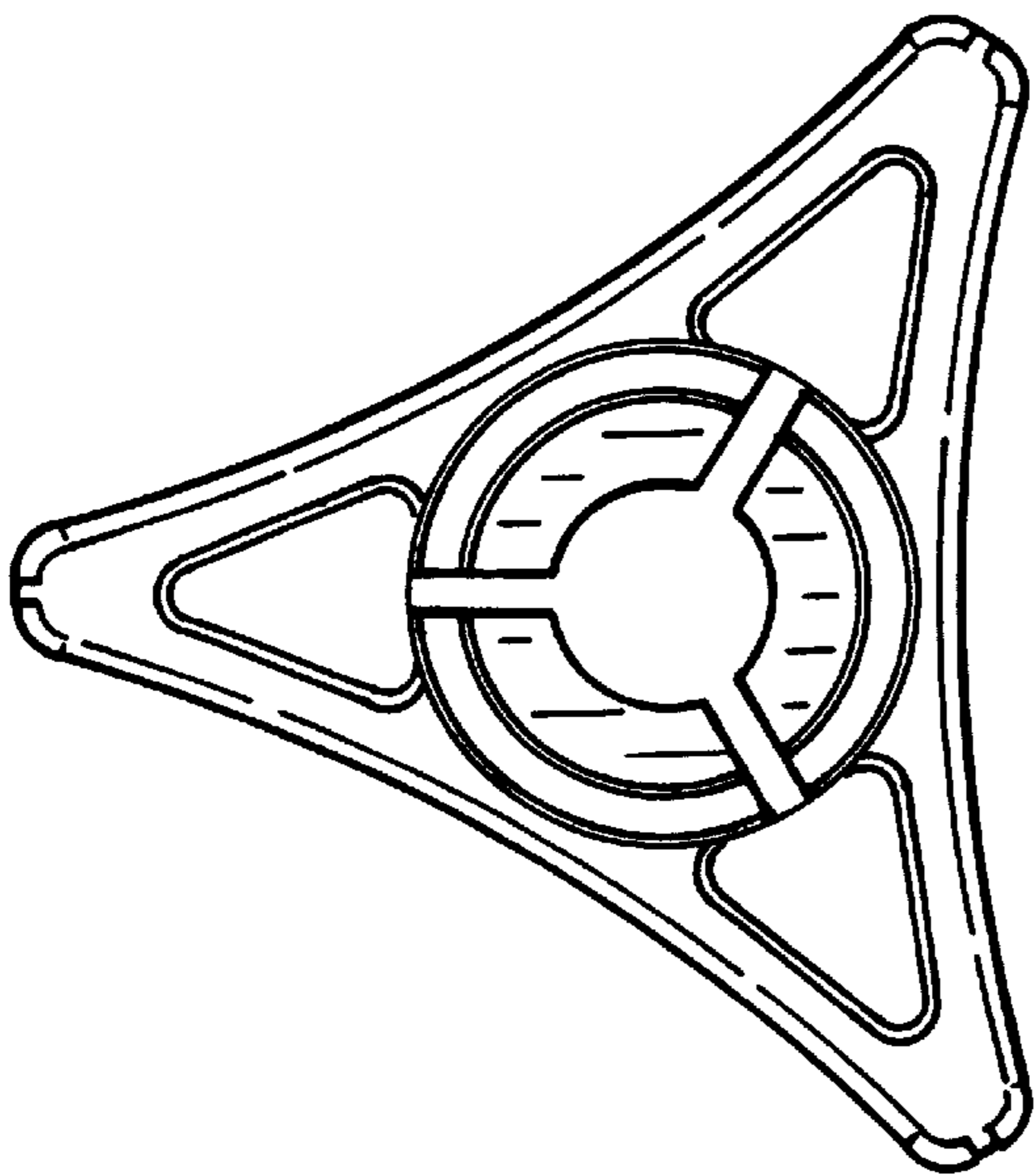


FIG. 6

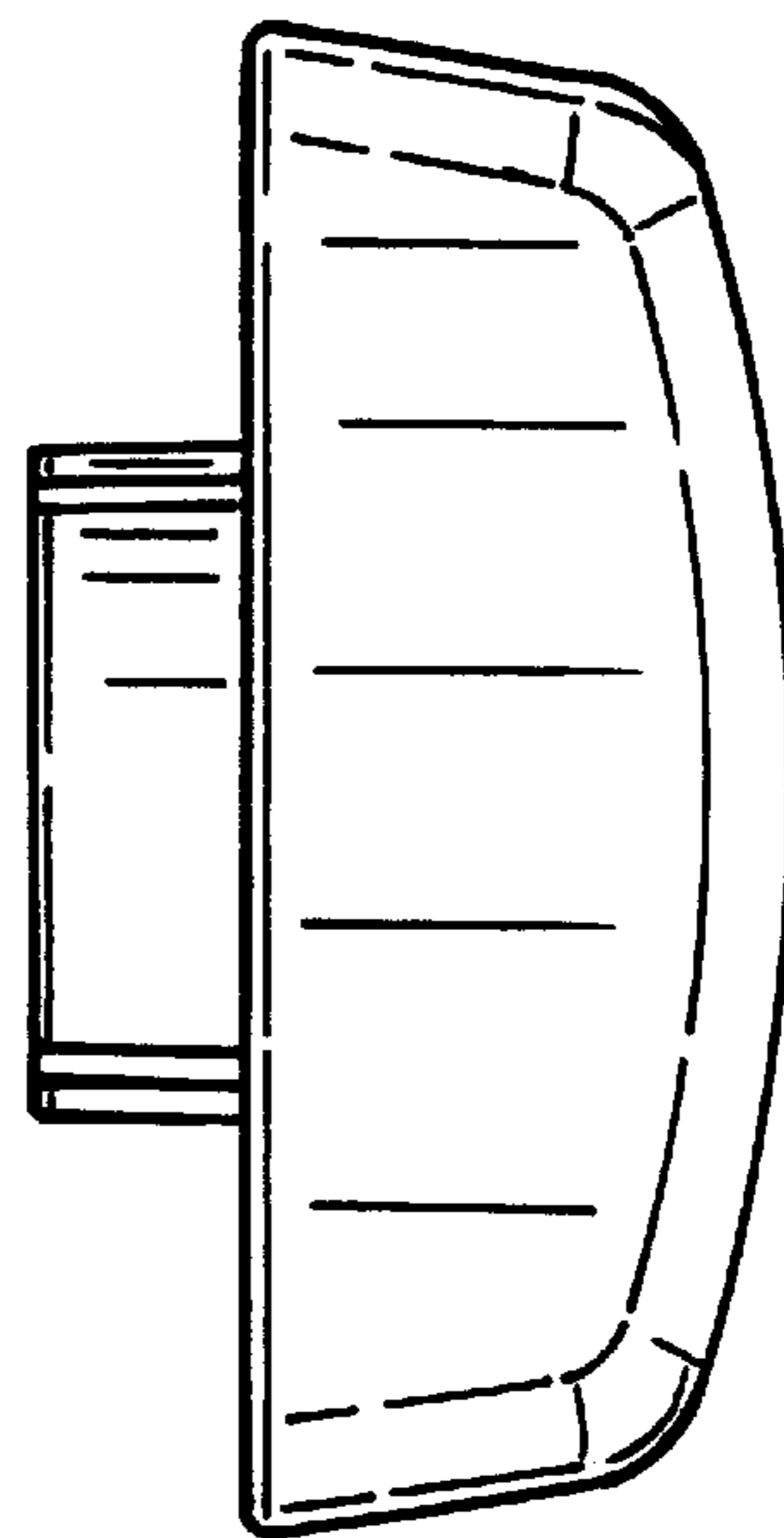


FIG. 7

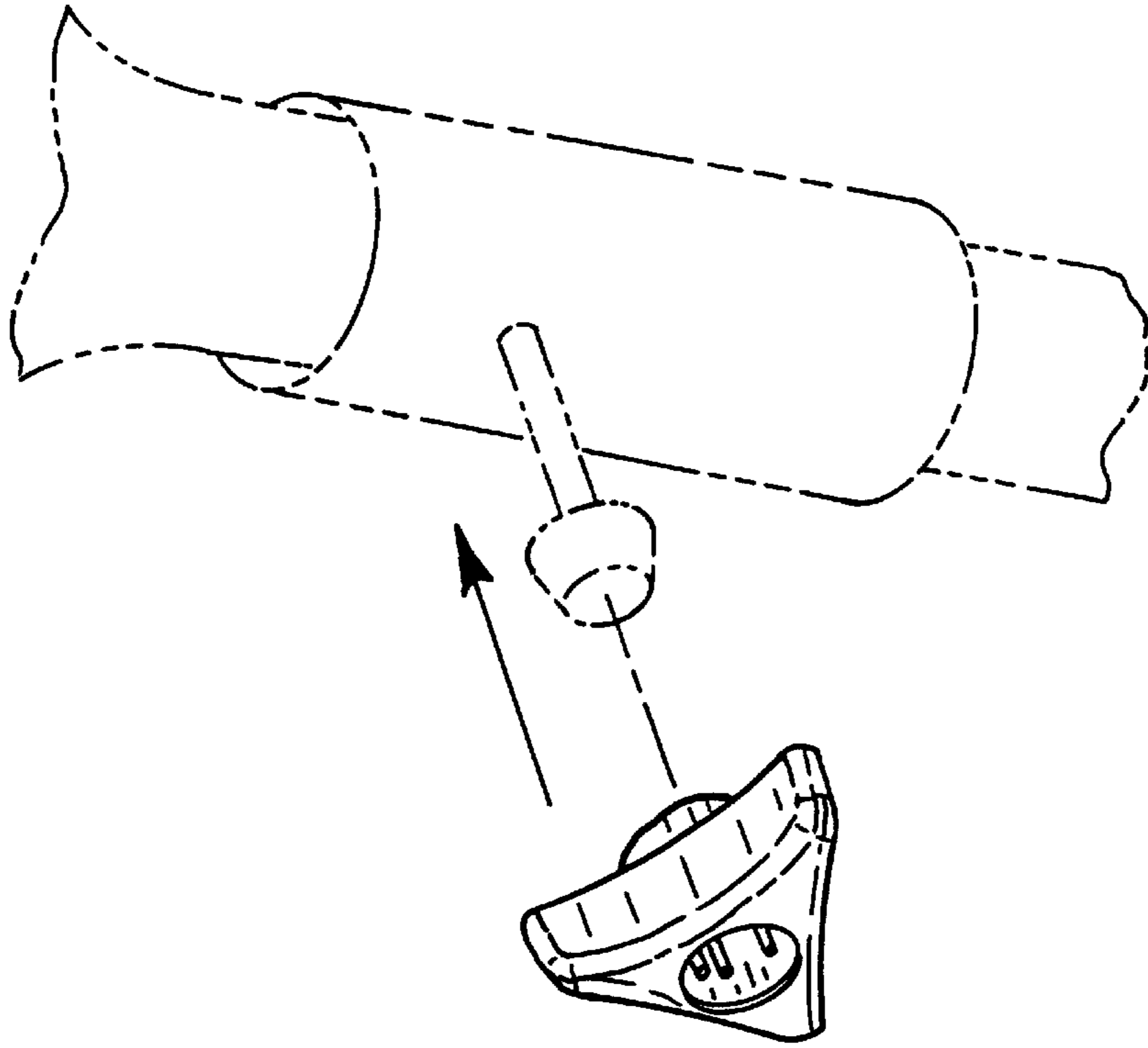


FIG. 8