



US00D409154S

United States Patent [19]
Chudoba et al.

[11] **Patent Number: Des. 409,154**
[45] **Date of Patent: ** May 4, 1999**

[54] **VOLTAGE SUPPRESSOR**
[75] Inventors: **Paul Chudoba**, Shohola; **Jerome Polizzi**, Morrisville, both of Pa.
[73] Assignee: **NuVisions International, Inc.**, Shohola, Pa.
[**] Term: **14 Years**
[21] Appl. No.: **29/084,196**
[22] Filed: **Feb. 26, 1998**
[51] **LOC (6) Cl.** **13-03**
[52] **U.S. Cl.** **D13/160**
[58] **Field of Search** D13/133, 160, D13/161; 336/65; 340/638, 662, 663; 361/56, 104, 111, 118, 636

2,372,822 4/1945 Gaynor 336/65
2,823,372 2/1958 Jones 336/65 X
5,010,438 4/1991 Brady 361/56

Primary Examiner—Alan P. Douglas
Assistant Examiner—Lavone D. Tabor
Attorney, Agent, or Firm—George R. McGuire

[57] **CLAIM**

The ornamental design for voltage suppressor, as shown and described.

DESCRIPTION

FIG. 1 is a rearward perspective view of the voltage suppressor design, which constitutes the present invention; FIG. 2 is a forward perspective view thereof; FIG. 3 is a top plan view thereof; FIG. 4 is a side elevational view thereof; FIG. 5 is a bottom plan view thereof; FIG. 6 is a front elevation view there; and, FIG. 7 is a rear elevational view thereof.

[56] **References Cited**
U.S. PATENT DOCUMENTS
D. 247,030 1/1978 Cocozzu D13/160

1 Claim, 2 Drawing Sheets

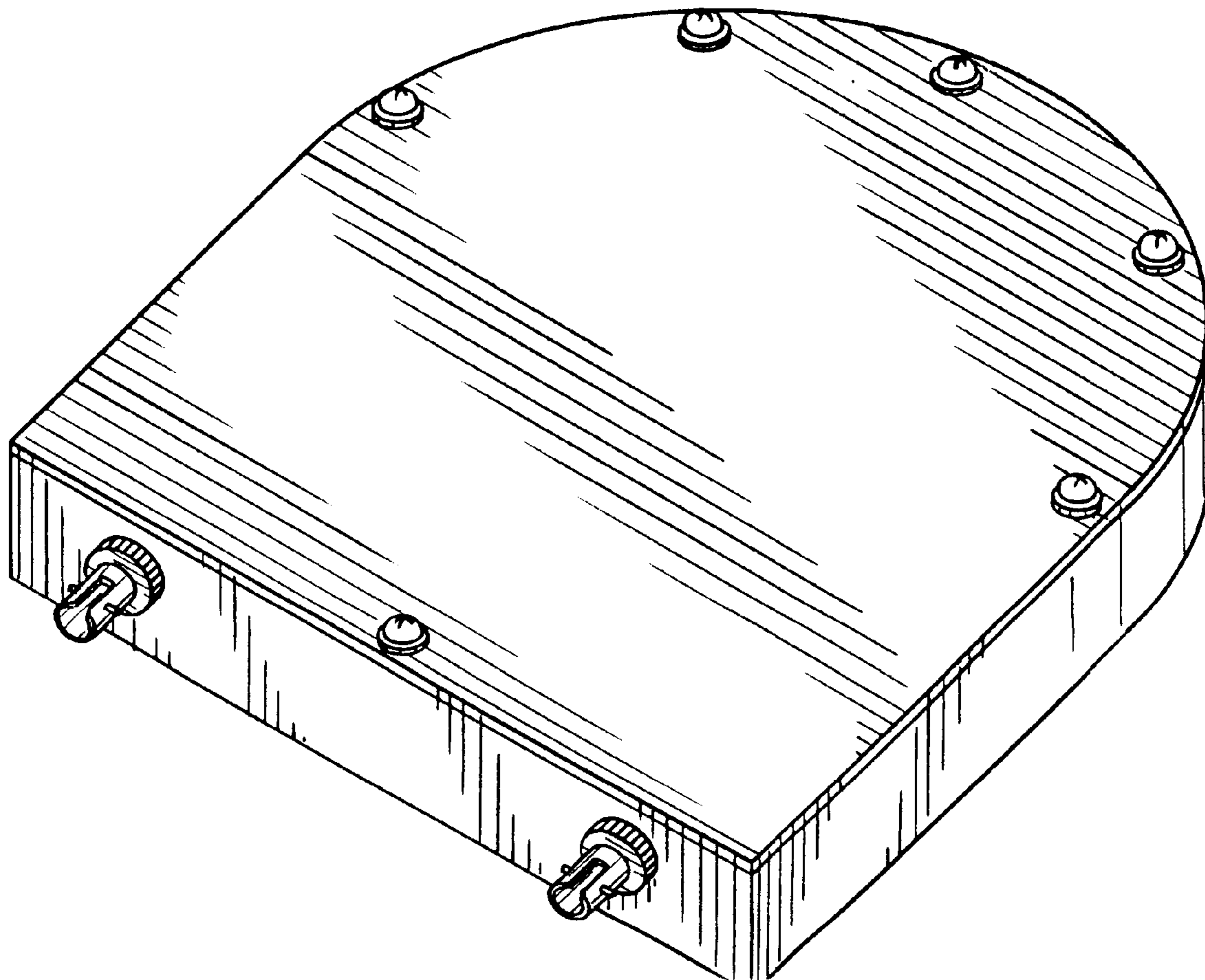


FIG. 1

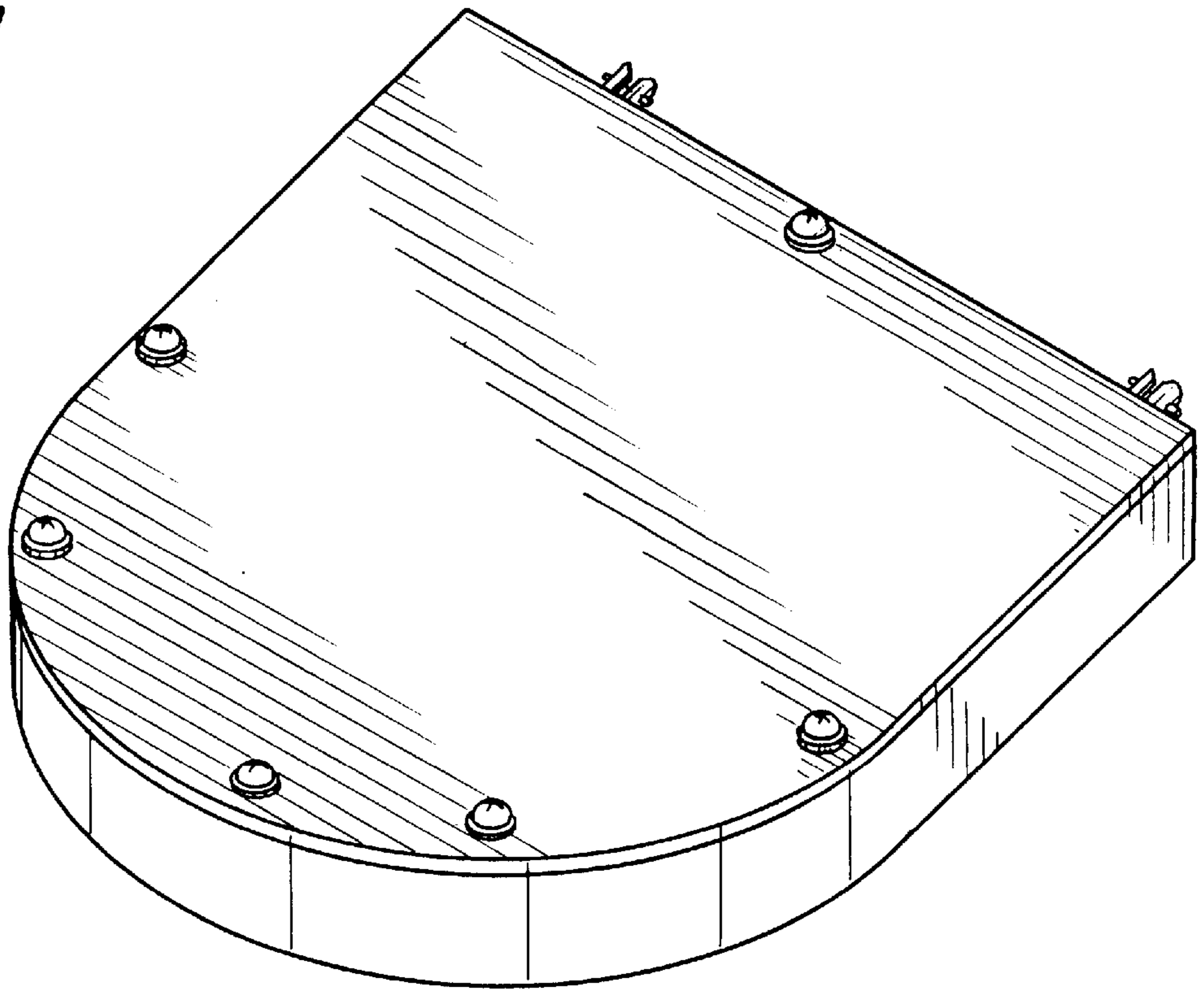


FIG. 2

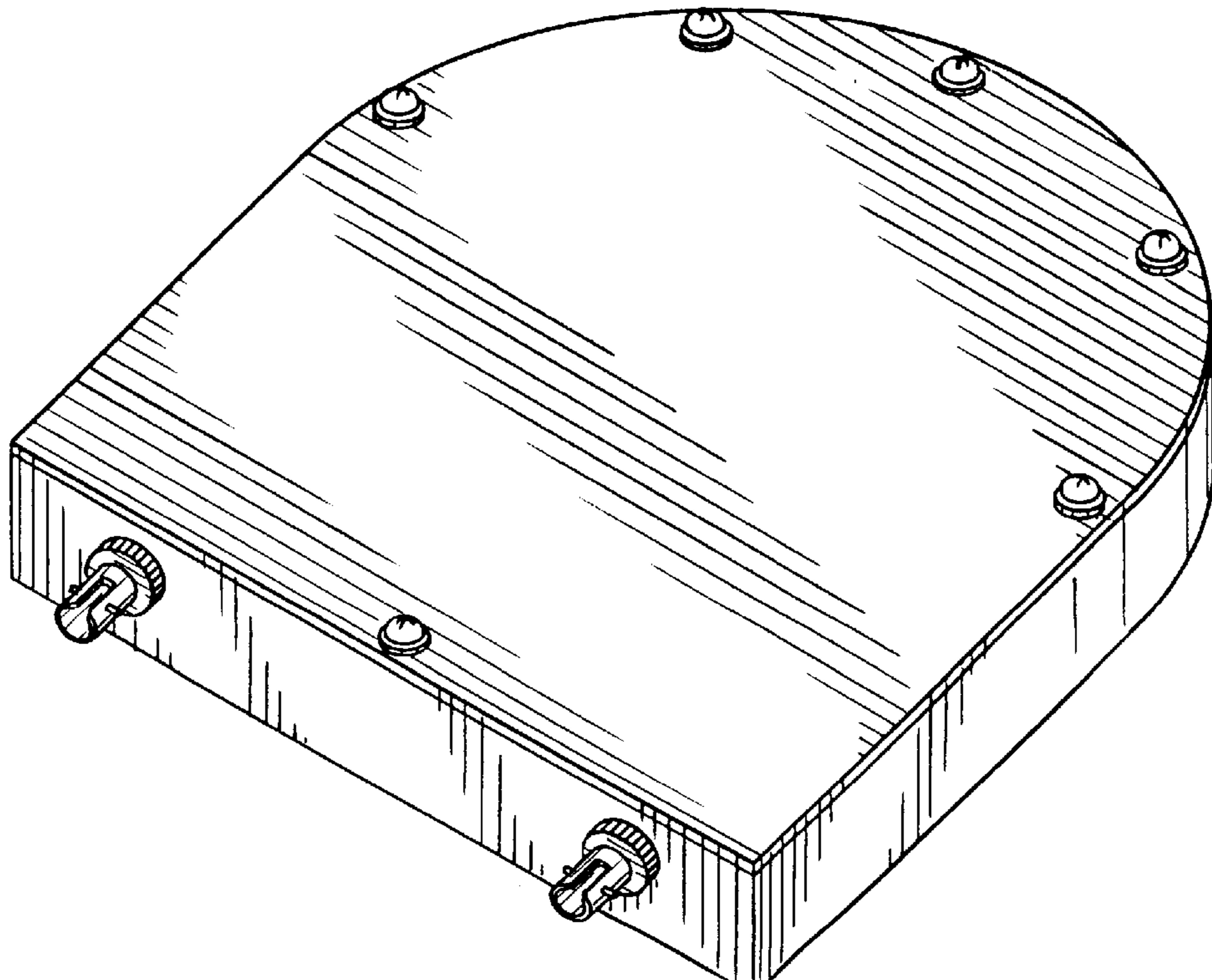


FIG. 5

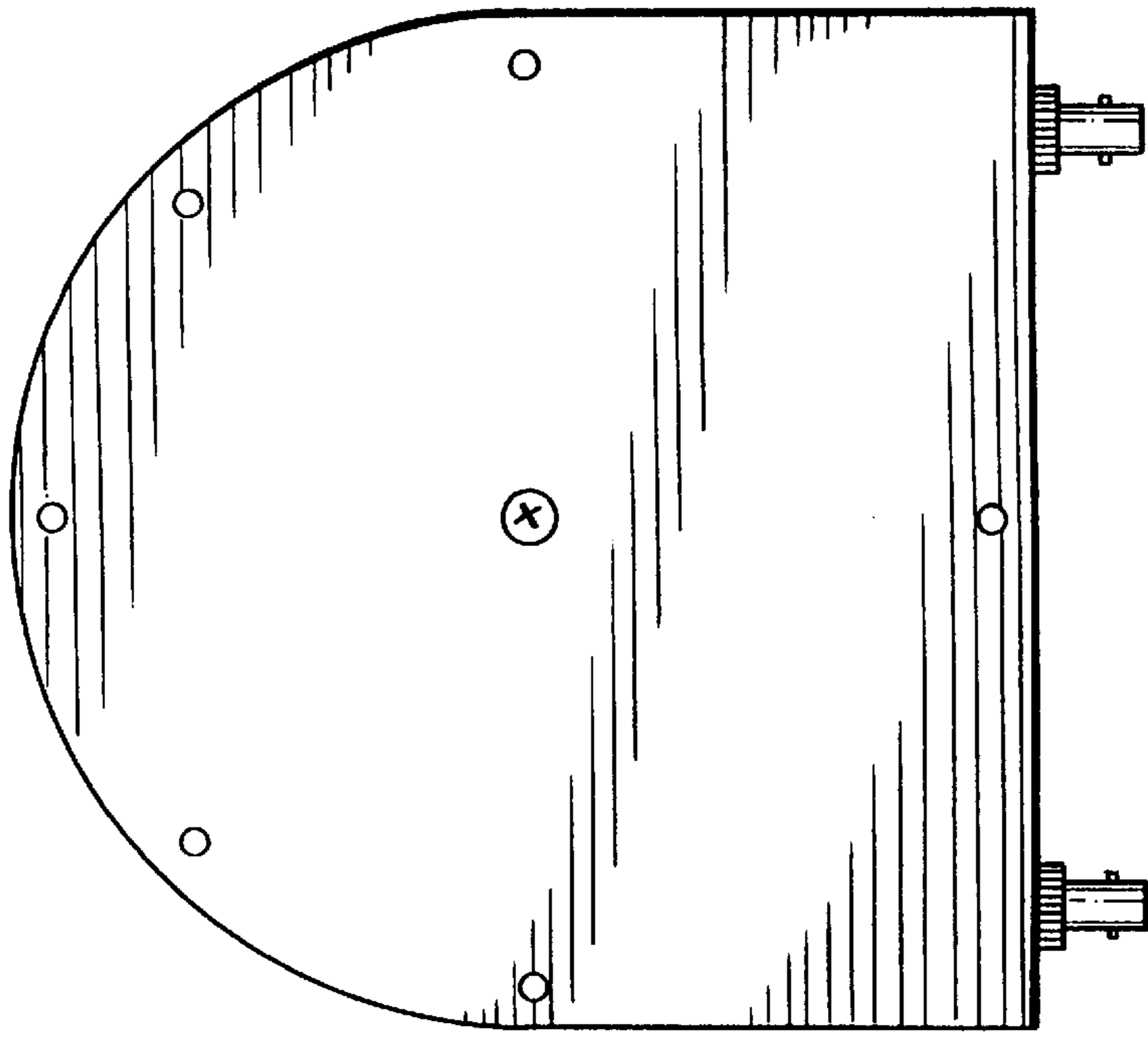


FIG. 4

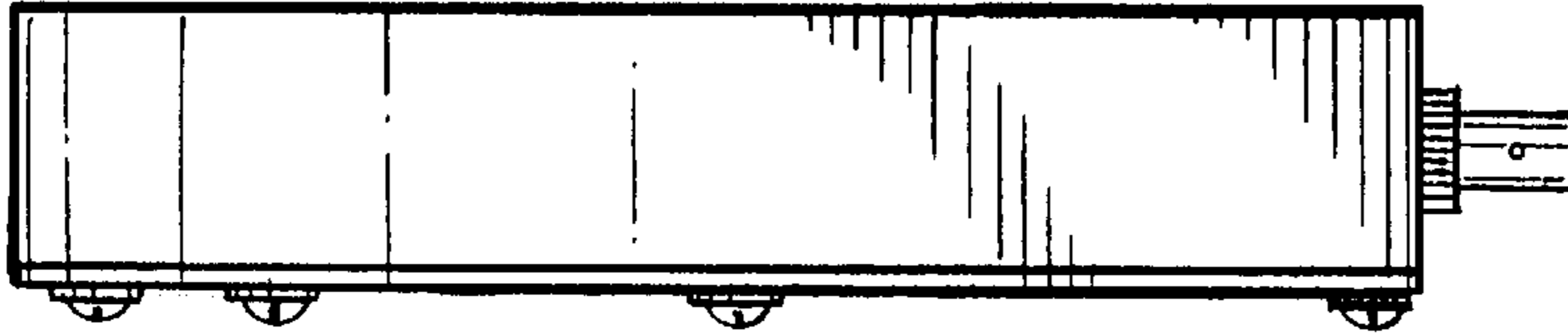


FIG. 3

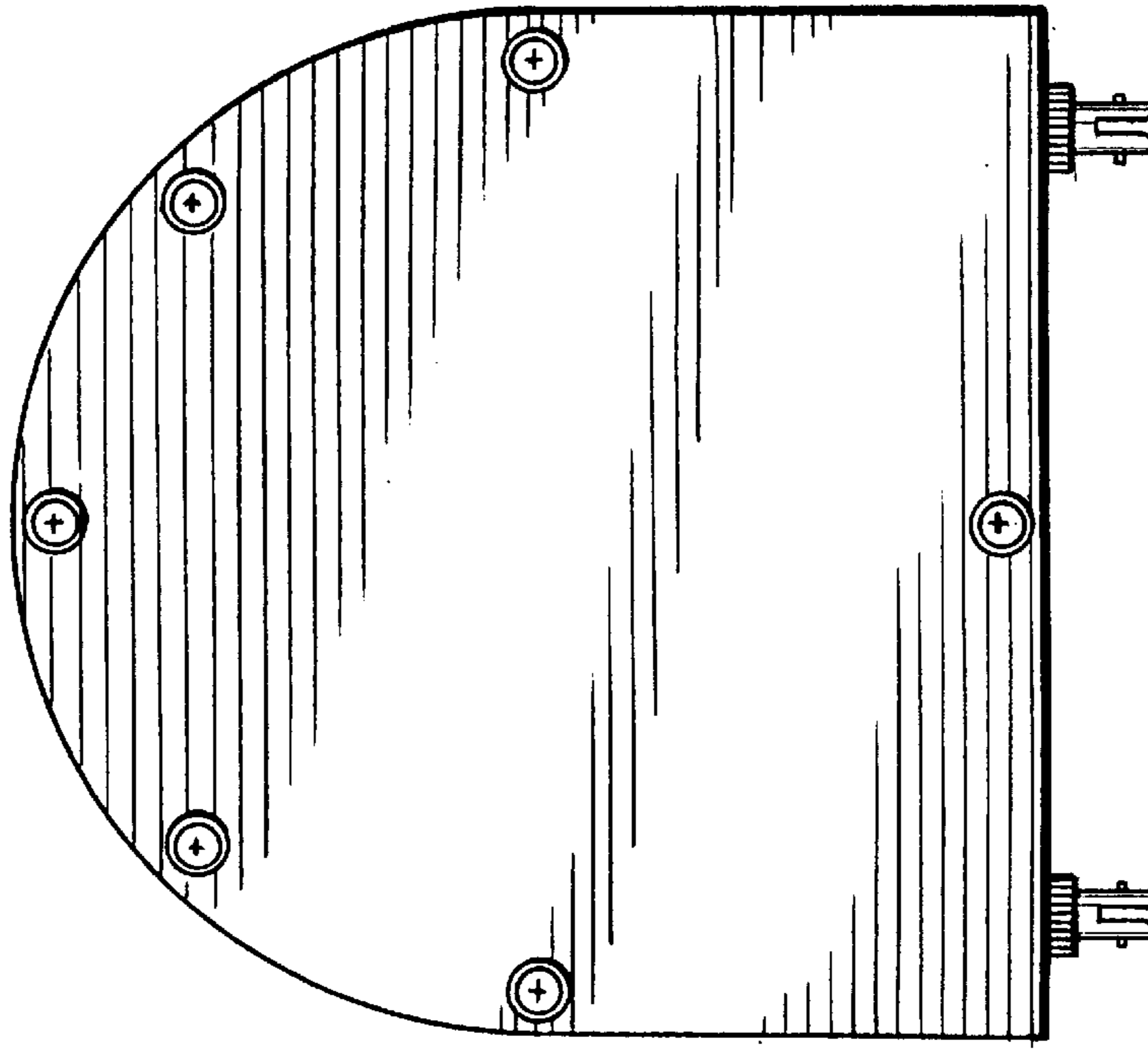


FIG. 7

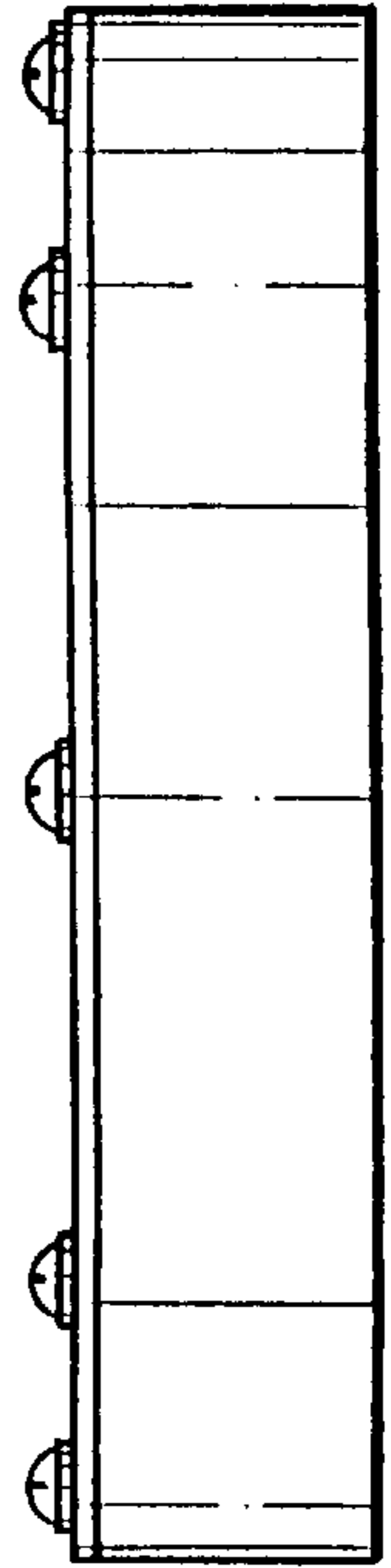


FIG. 6

