



US00D409152S

# United States Patent [19] Rao

[11] **Patent Number: Des. 409,152**

[45] **Date of Patent: \*\* May 4, 1999**

[54] **MINIATURE ROTARY ELECTRIC SWITCH**

5,750,947 5/1998 Rao et al. .... 200/6 R

[75] Inventor: **Chepur P. Rao**, North Kingstown, R.I.

*Primary Examiner*—Alan P. Douglas  
*Assistant Examiner*—Lavone D. Tabor  
*Attorney, Agent, or Firm*—Kriegsman & Kriegsman

[73] Assignee: **Tower Manufacturing Corporation**,  
Providence, R.I.

[\*\*] Term: **14 Years**

[57] **CLAIM**

The ornamental design for a miniature rotary electric switch,  
as shown and described.

[21] Appl. No.: **29/089,271**

[22] Filed: **Jun. 11, 1998**

**DESCRIPTION**

[51] **LOC (6) Cl.** ..... **13-03**

FIG. 1 is a perspective view taken from the top, rear and left  
side of a miniature rotary electric switch showing my new  
design;

[52] **U.S. Cl.** ..... **D13/158**

FIG. 2 is a top plan view thereof;

[58] **Field of Search** ..... D13/158, 173,  
D13/174; 200/6 R, 11 R, 303, 329, 336,  
564, 570

FIG. 3 is a bottom plan view thereof;

FIG. 4 is a rear view thereof;

FIG. 5 is a right side view thereof;

FIG. 6 is a front view thereof; and,

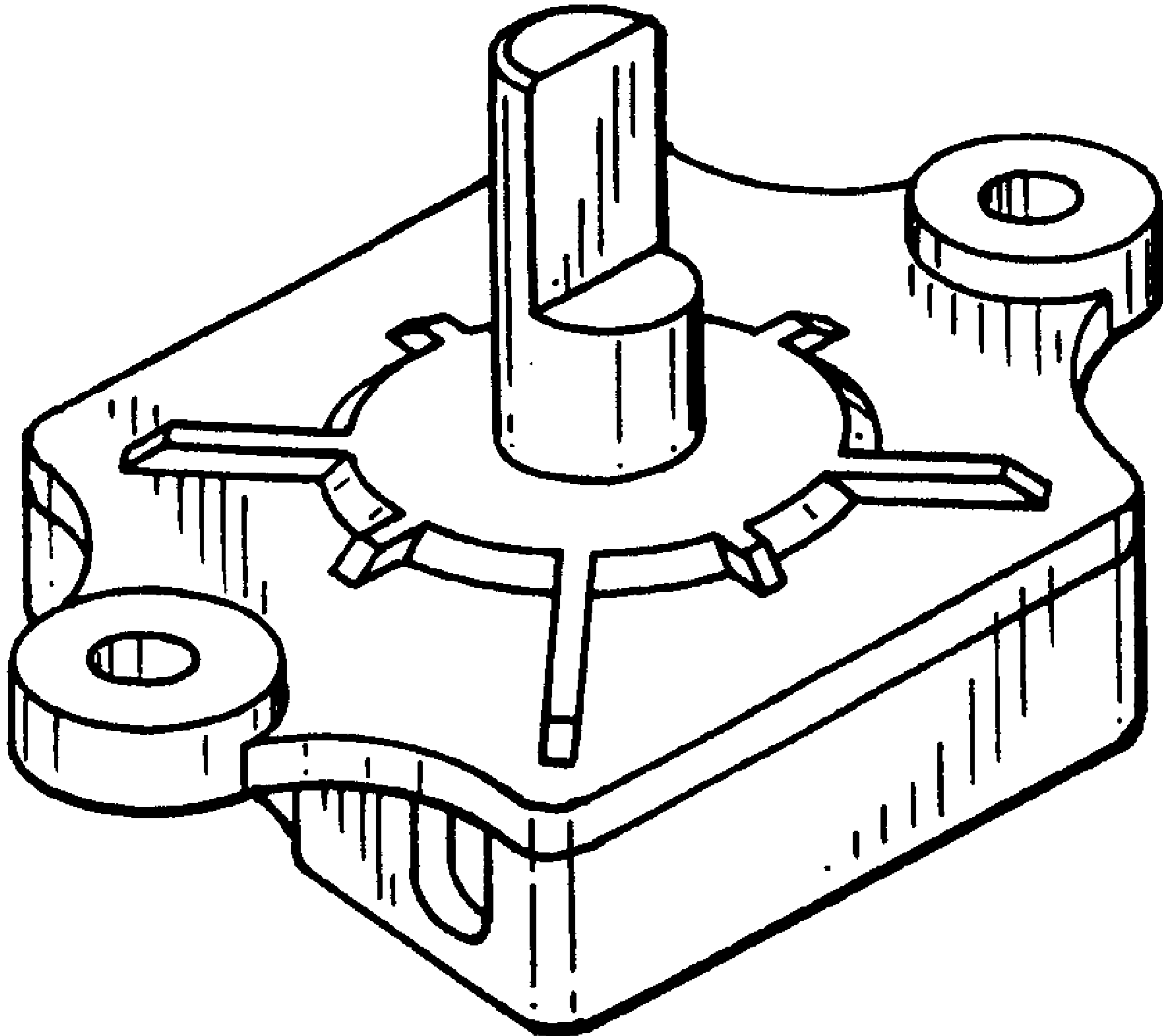
FIG. 7 is a left side view thereof.

[56] **References Cited**

**U.S. PATENT DOCUMENTS**

D. 387,331 12/1997 Wong ..... D13/158  
5,728,982 3/1998 Rao et al. .... 200/6 R

**1 Claim, 1 Drawing Sheet**



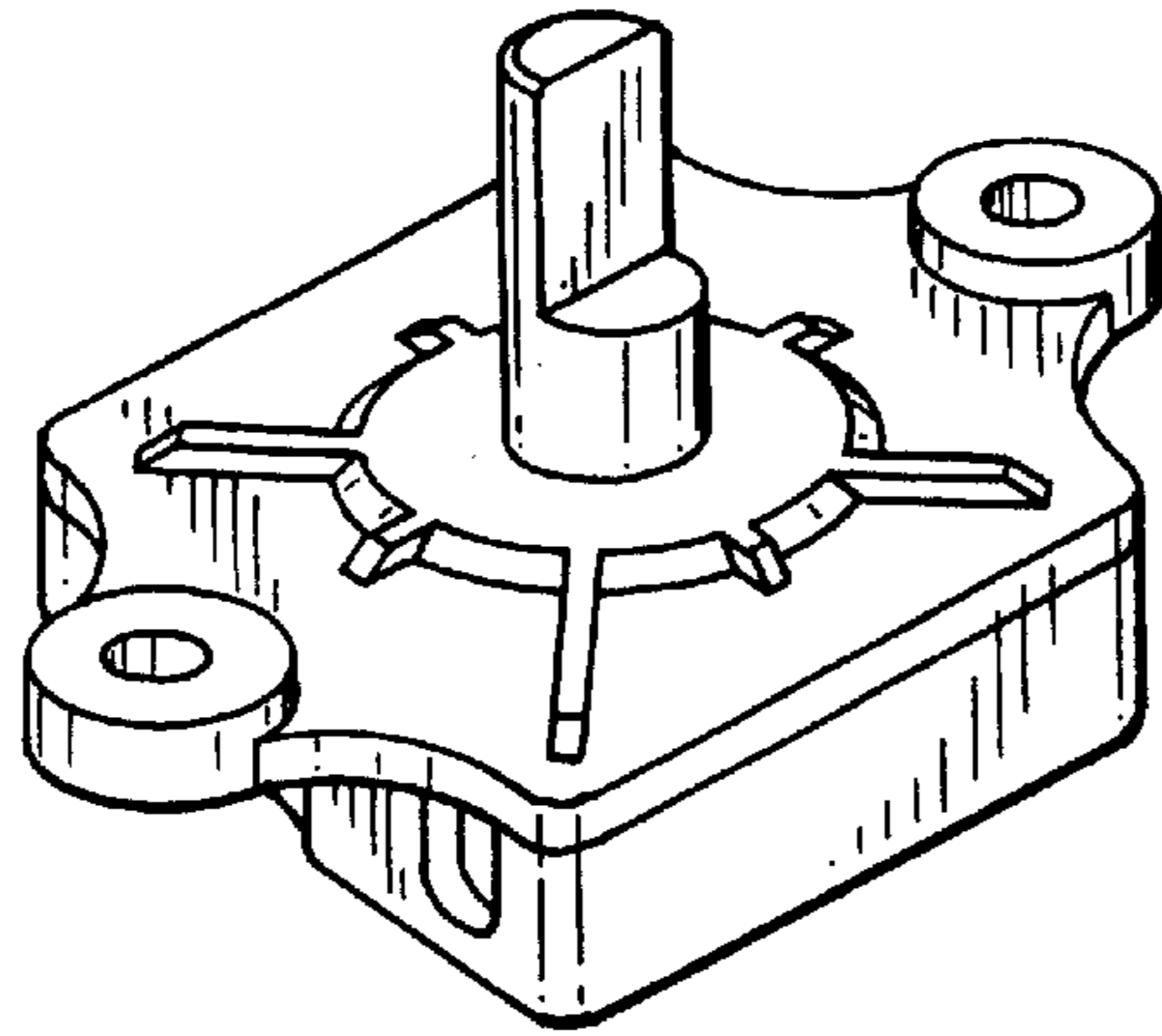


FIG. 1

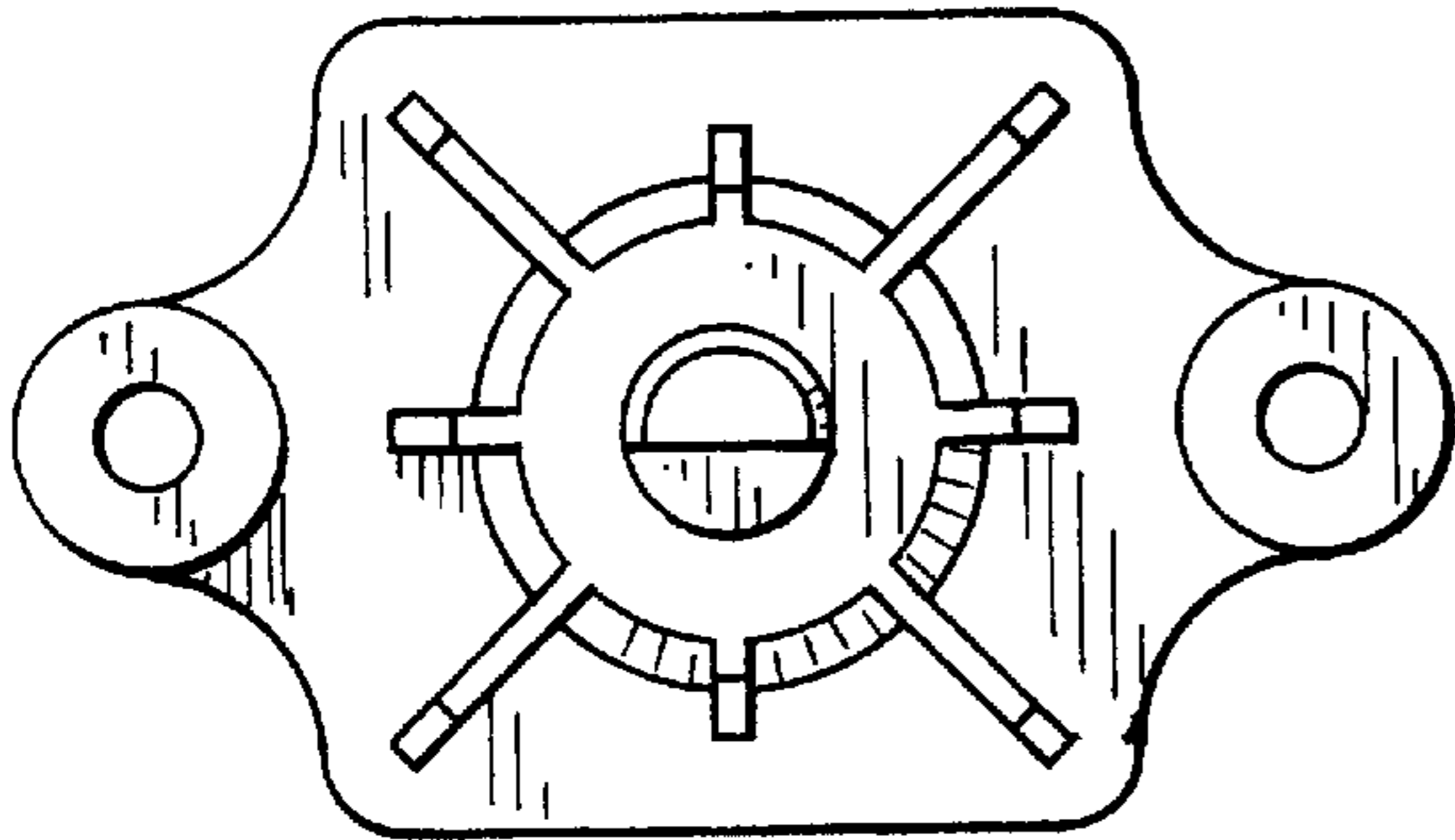


FIG. 2

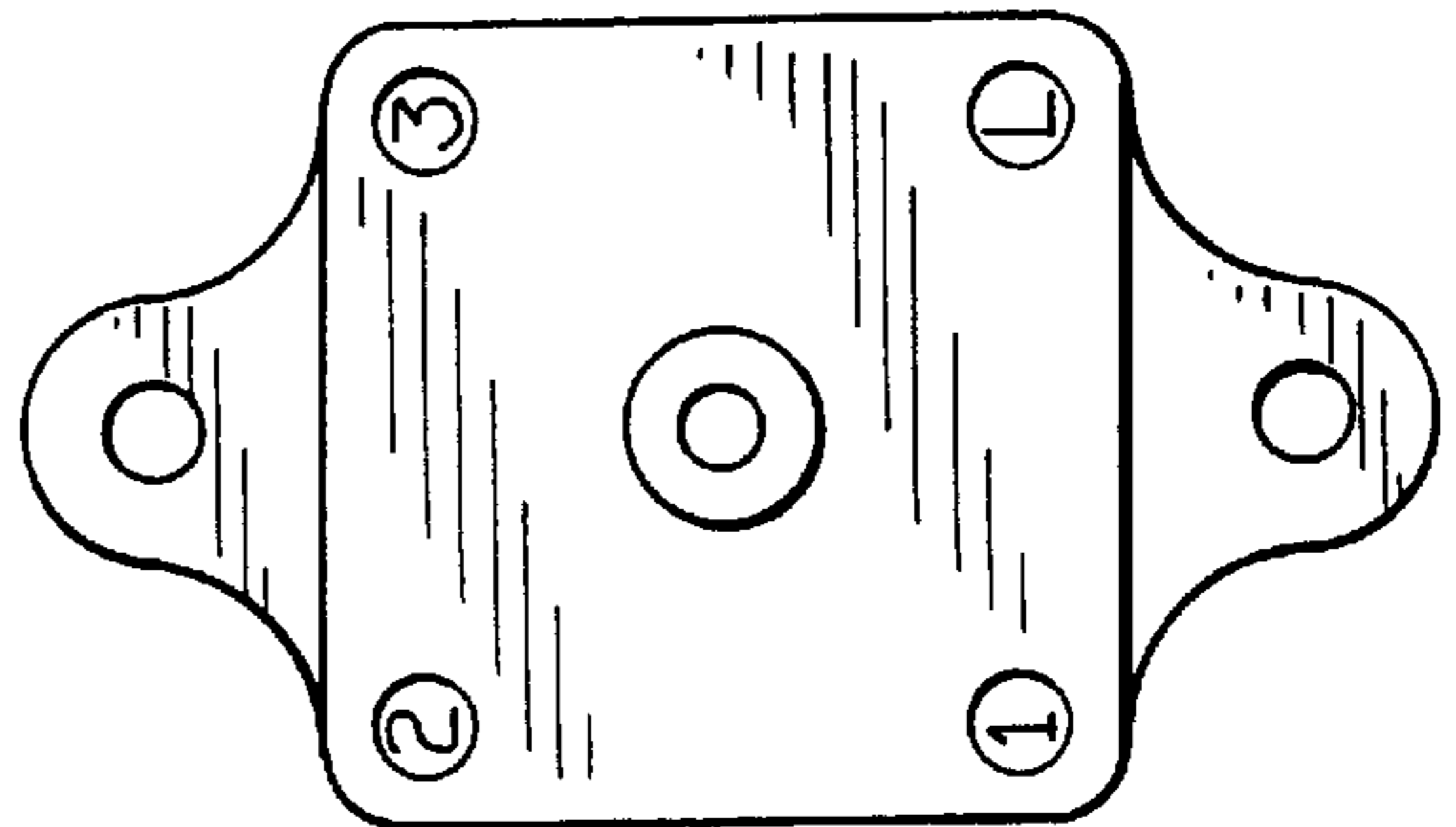


FIG. 3

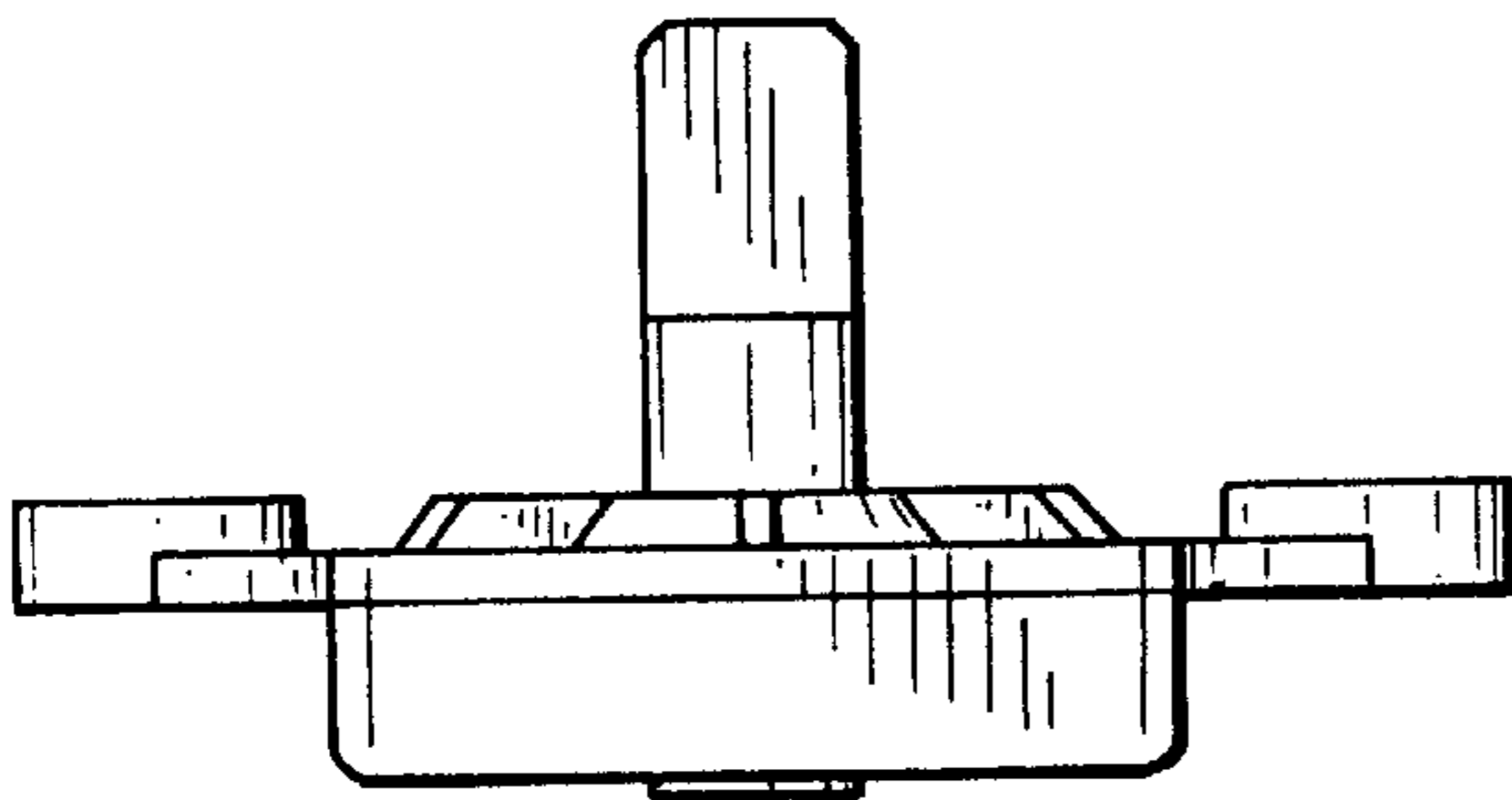


FIG. 4

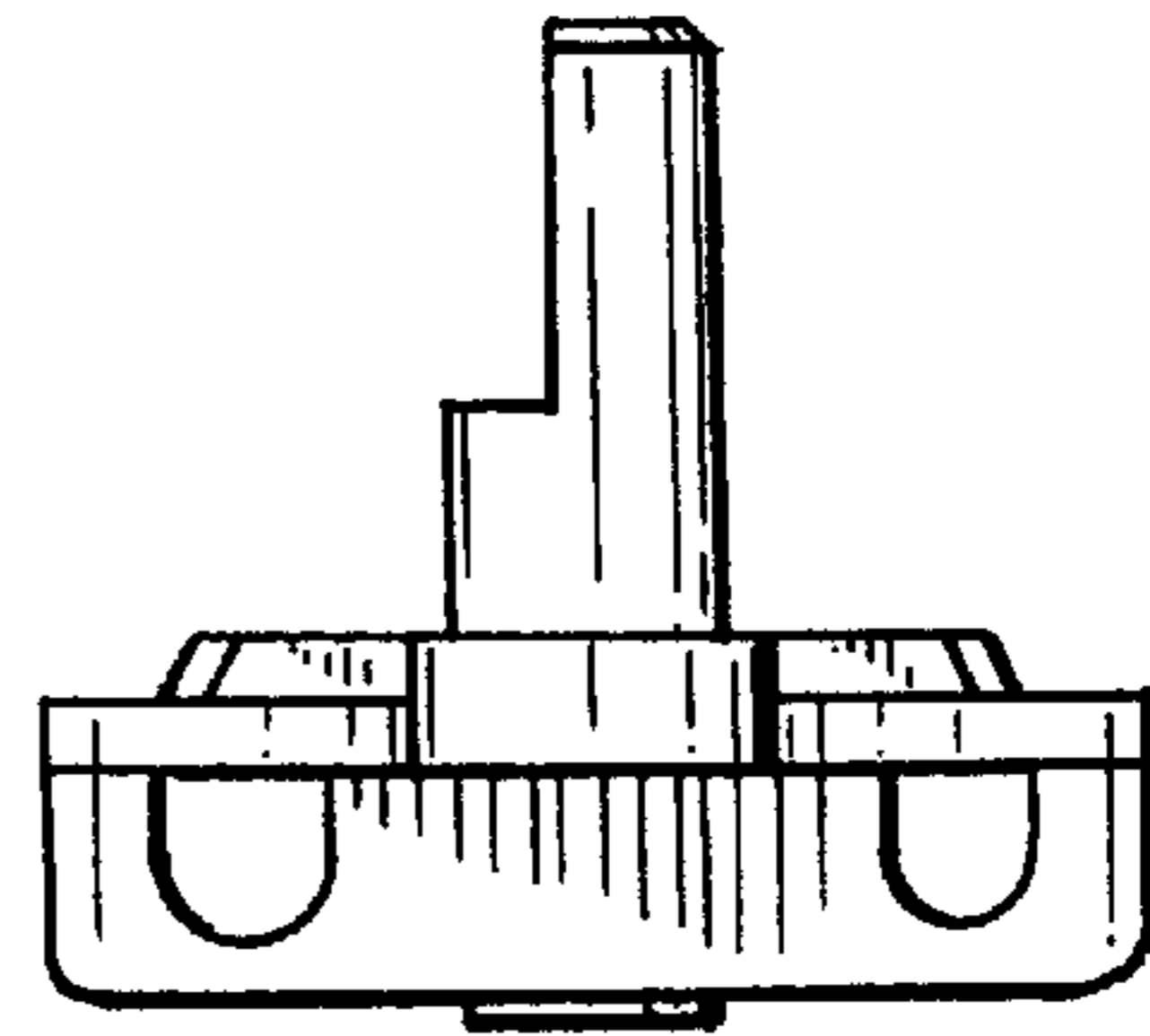


FIG. 5

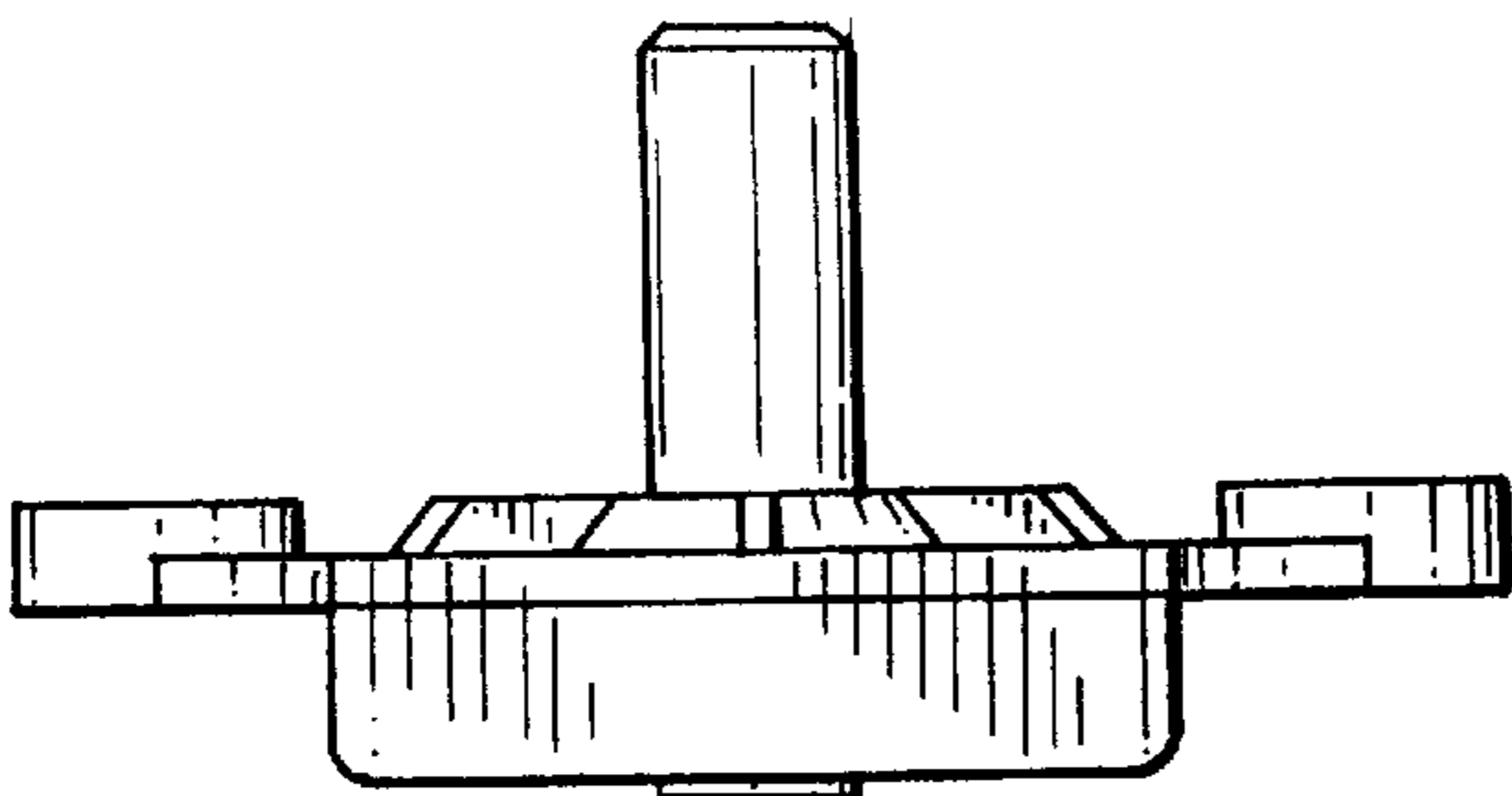


FIG. 6

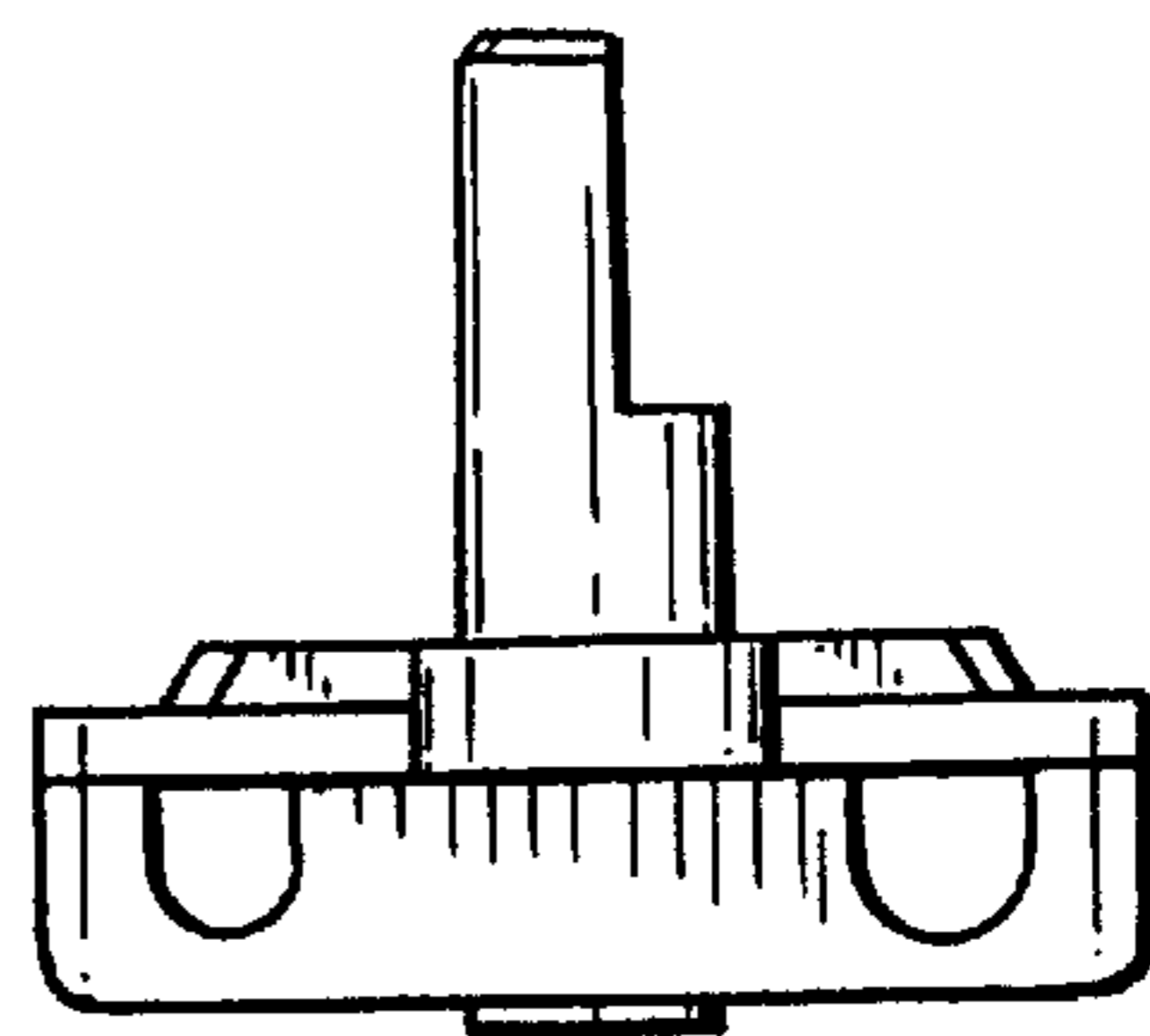


FIG. 7