



US00D409151S

United States Patent [19]
Berger et al.

[11] **Patent Number: Des. 409,151**
[45] **Date of Patent: ** May 4, 1999**

[54] **ELASTOMERIC SWITCH**
[75] Inventors: **John W. Berger**, Laguna Niguel; **Ted L. Nichols**, Mission Viejo; **Andry Kertatama**, Montebello; **James F. Gust**, Temecula, all of Calif.
[73] Assignee: **Staco Switch, Inc.**, Costa Mesa, Calif.
[**] Term: **14 Years**

4,720,609 1/1988 Hochgesang et al. .
4,760,221 7/1988 Yoshida et al. .
4,967,043 10/1990 Killarney .
5,117,076 5/1992 Damitio .
5,134,259 7/1992 Page, Jr. 200/341
5,268,542 12/1993 Voll .
5,350,890 9/1994 Fairbrother et al. .
5,510,584 4/1996 Norris .
5,559,311 9/1996 Gorbatoff .

[21] Appl. No.: **29/078,343**
[22] Filed: **Oct. 21, 1997**

Related U.S. Application Data

[62] Division of application No. 08/641,414, Apr. 30, 1996, Pat. No. 5,834,714.
[51] **LOC (6) Cl.** **13-03**
[52] **U.S. Cl.** **D13/158**
[58] **Field of Search** D13/158, 171, D13/174, 169; 200/293, 314, 329, 341, 520, 5 R, 5 A, 302.2, 336, 560

[56] **References Cited**

U.S. PATENT DOCUMENTS

3,932,722 1/1976 Obata et al. .
4,366,355 12/1982 Oelsch .
4,376,238 3/1983 Martin .
4,527,030 7/1985 Oelsch .
4,604,509 8/1986 Clancy et al. .
4,668,843 5/1987 Watanabe et al. .
4,677,268 6/1987 Nemeth .

OTHER PUBLICATIONS

Switch Engineering Handbook By John R. Mason; Chapter 11—Conductive Rubber Switches, pp. 11.1–11.29, 1993.

Primary Examiner—Alan P. Douglas
Assistant Examiner—Lavone D. Tabor
Attorney, Agent, or Firm—George F. Bethel; Patience K. Bethel

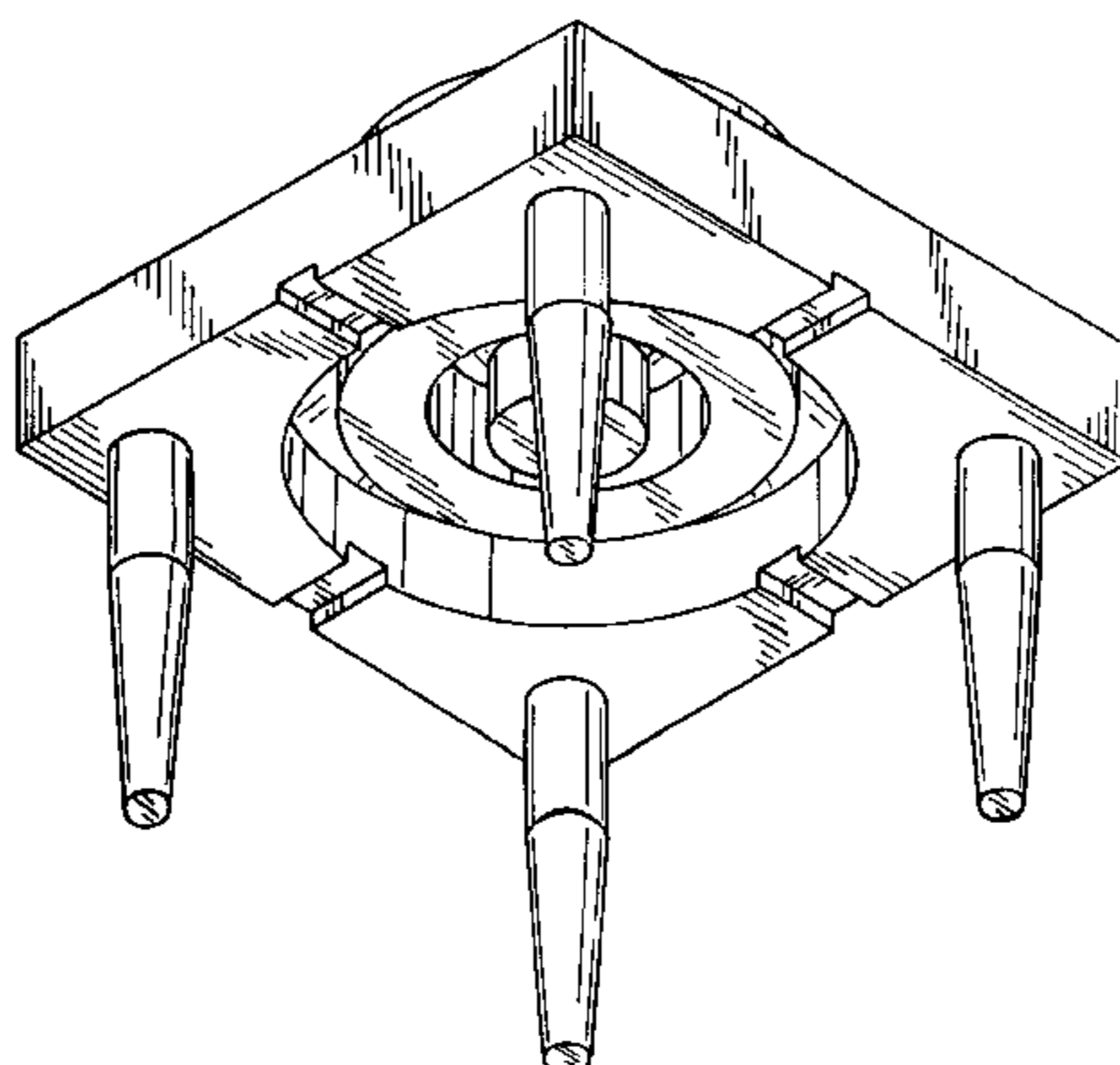
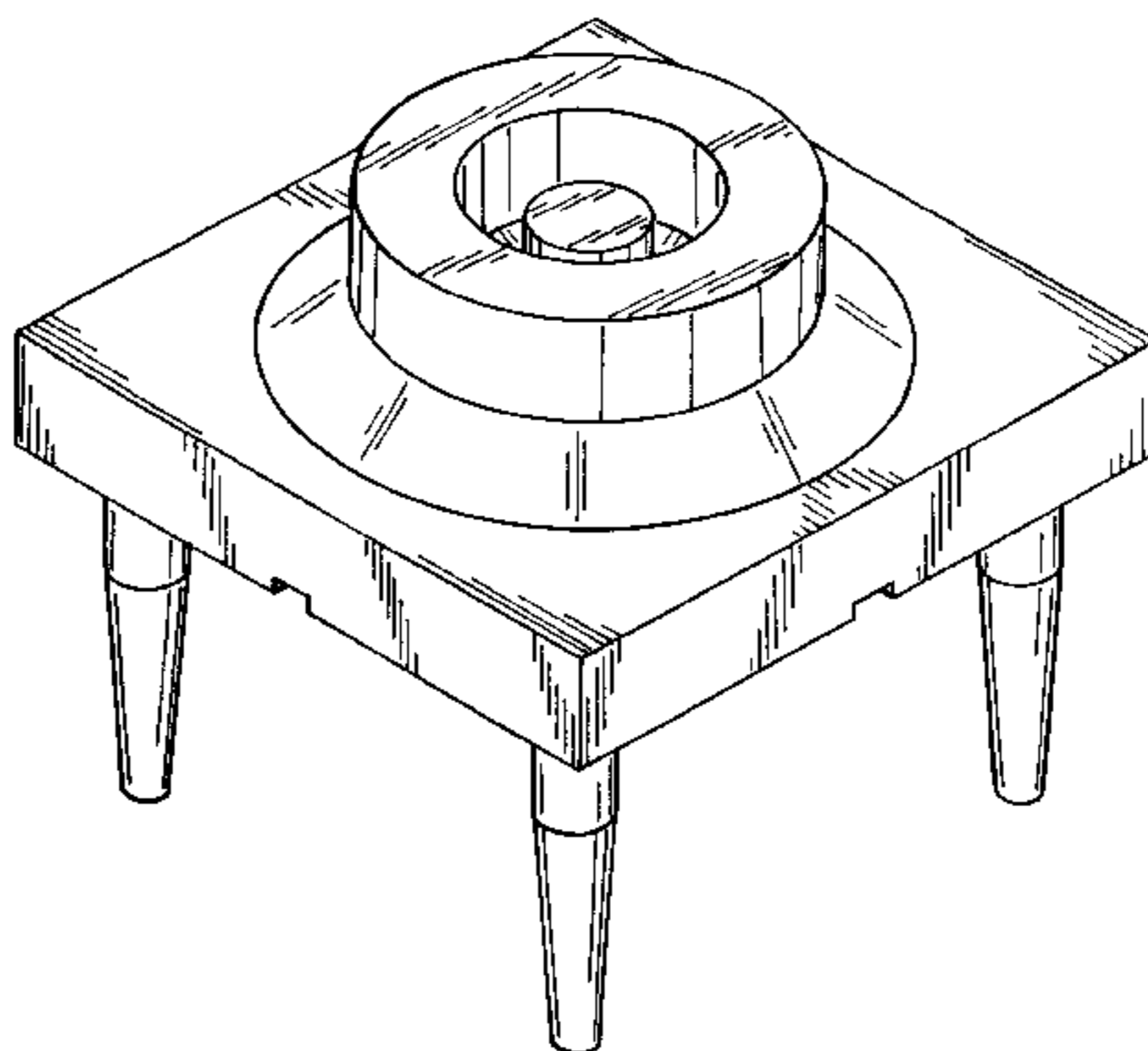
[57] **CLAIM**

We claim the ornamental design for an elastomeric switch, as shown and described.

DESCRIPTION

FIG. 1 shows a top perspective view of our new design for an elastomeric switch.
FIG. 2 is a perspective view of the switch looking from the under side thereof, opposite from that shown in FIG. 1.
FIG. 3 is a front elevation view thereof, the rear, right and left sides being identical thereto.
FIG. 4 shows a top plan view of the switch; and,
FIG. 5 shows a bottom view looking upwardly at the switch.

1 Claim, 2 Drawing Sheets



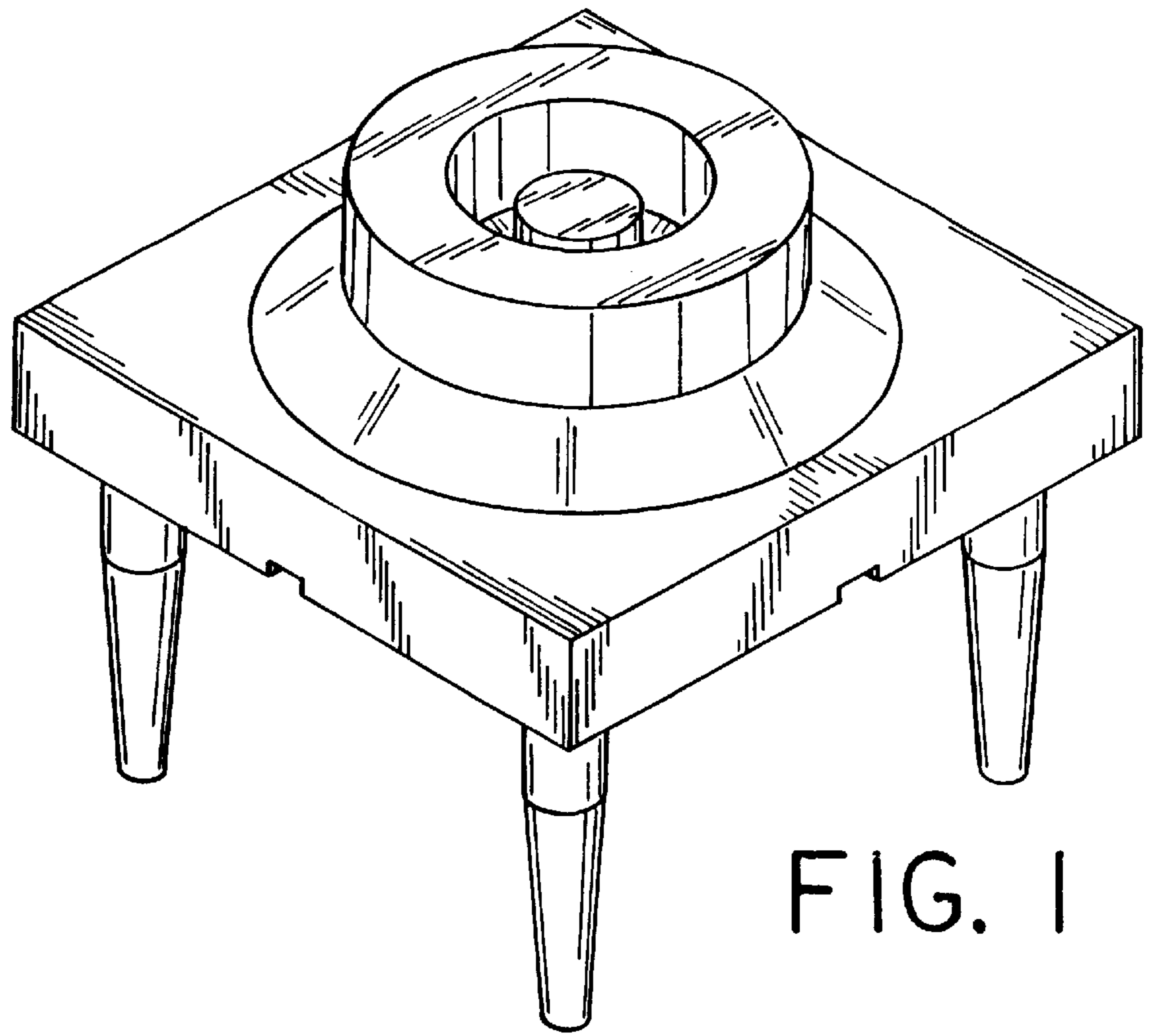


FIG. 1

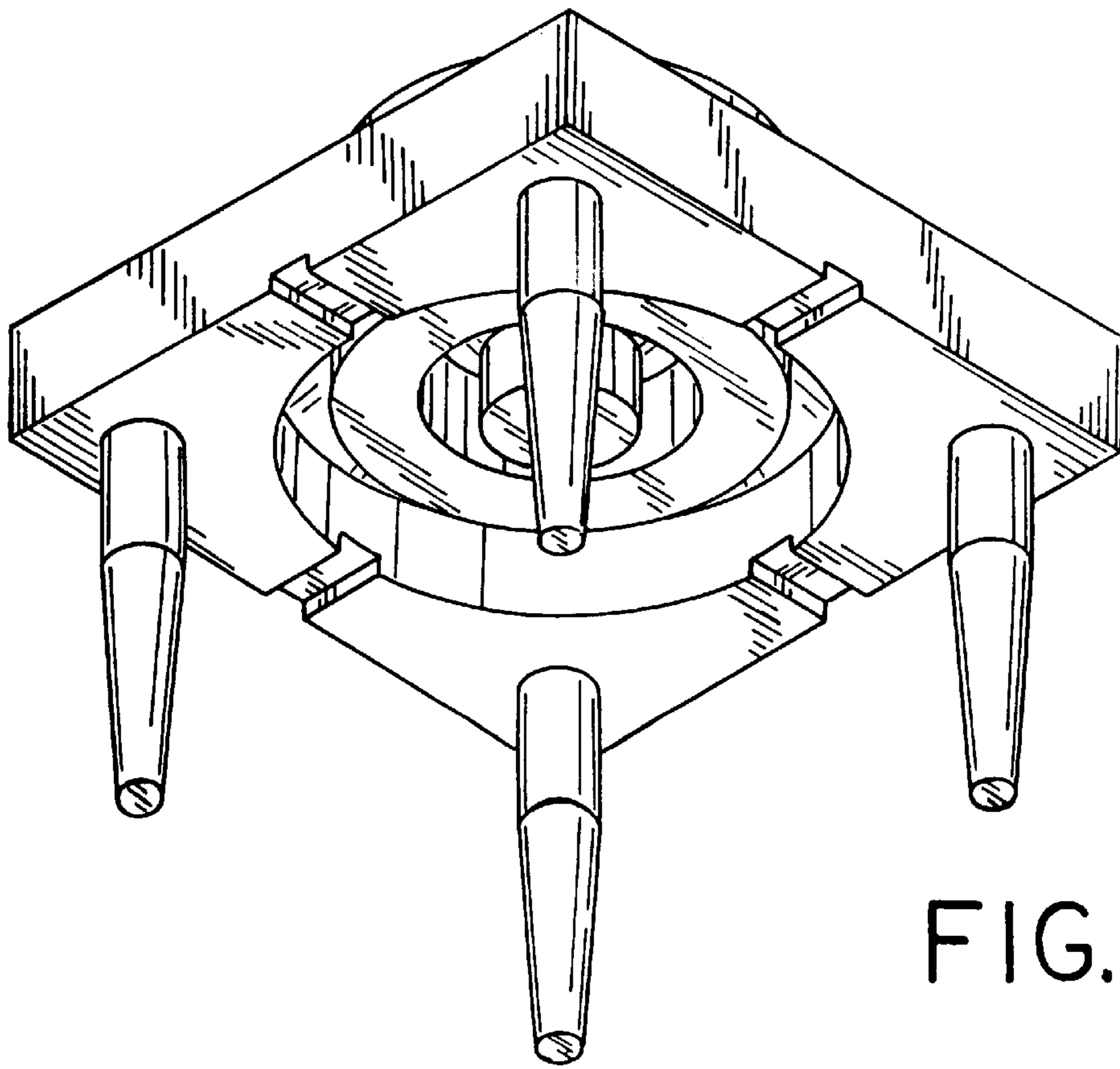


FIG. 2

FIG. 3

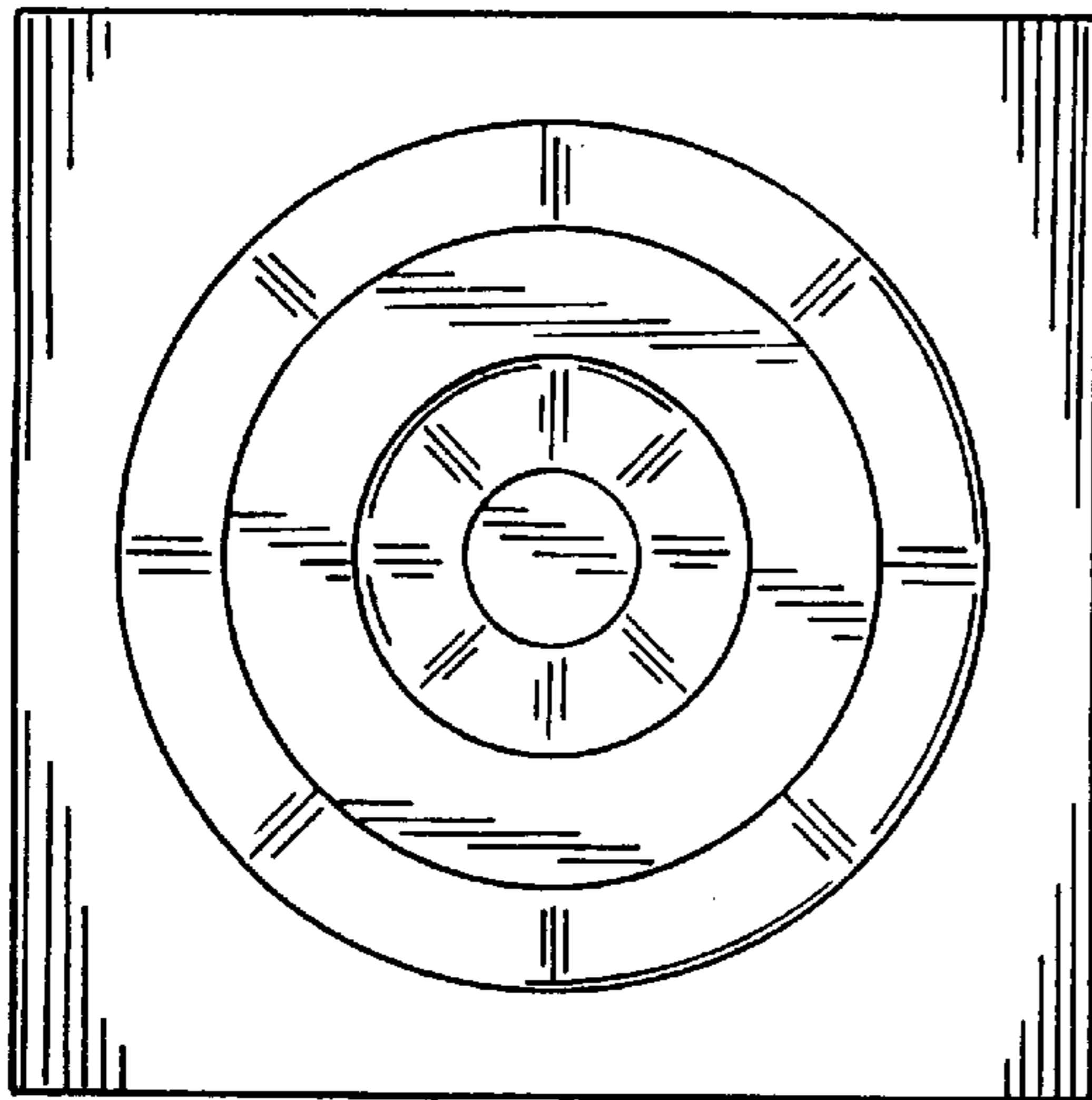
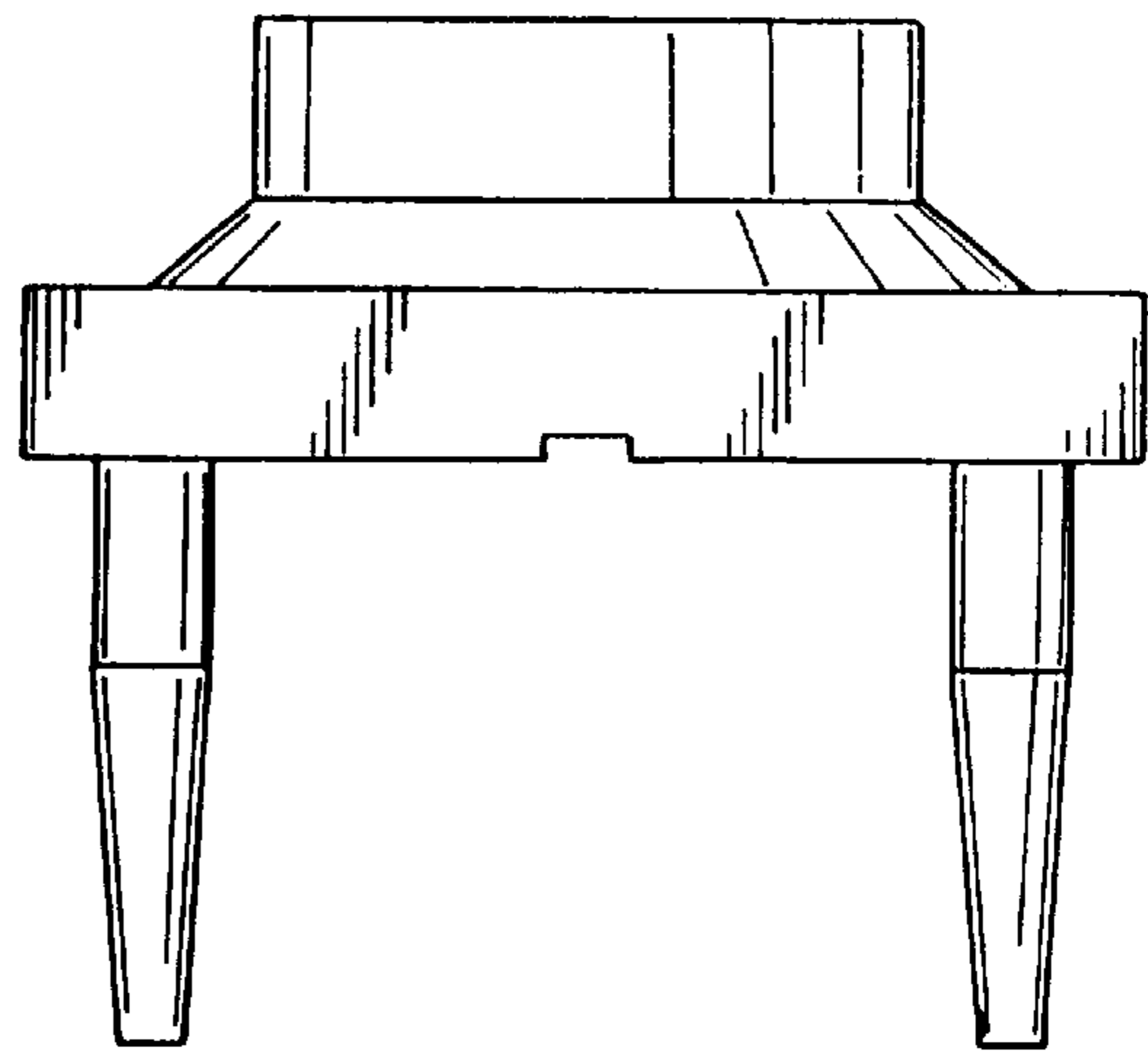


FIG. 4

FIG. 5

