



US00D409150S

United States Patent [19]

Davis et al.

[11] Patent Number: **Des. 409,150**

[45] Date of Patent: **** May 4, 1999**

[54] **CABLE FOR CONNECTING A PORTABLE PHONE WITH HEADSET**

[75] Inventors: **Bradley D. Davis**, Boulder; **Michael Garrison**, Lafayette, both of Colo.

[73] Assignee: **QUALCOMM Incorporated**, San Diego, Calif.

[**] Term: **14 Years**

[21] Appl. No.: **29/083,958**

[22] Filed: **Feb. 20, 1998**

[51] **LOC (6) Cl.** **13-03**

[52] **U.S. Cl.** **D13/153; D13/147**

[58] **Field of Search** D13/146, 147, D13/153; 439/108, 610, 358, 637, 502, 455, 604, 623

[56] **References Cited**

U.S. PATENT DOCUMENTS

- D. 363,700 10/1995 Buongervino et al. D13/147
- D. 381,629 7/1997 Goto D13/147
- 5,293,013 3/1994 Takahashi 439/620 X

- 5,573,425 11/1996 Morisawa et al. 439/502
- 5,609,499 3/1997 Tan et al. 439/455 X
- 5,797,771 8/1998 Garside 439/610

Primary Examiner—Joel Sincavage
Attorney, Agent, or Firm—Russell B. Miller; Charles D. Brown

[57] **CLAIM**

We claim the ornamental design for a cable for connecting a portable phone with headset, as shown.

DESCRIPTION

FIG. 1 is a top, front and left side perspective view of a cable for connecting a portable phone with a headset showing our new design.

FIG. 2 is a top, rear and right side perspective thereof.

FIG. 3 is a bottom side plan view thereof.

FIG. 4 is a front side elevational view thereof.

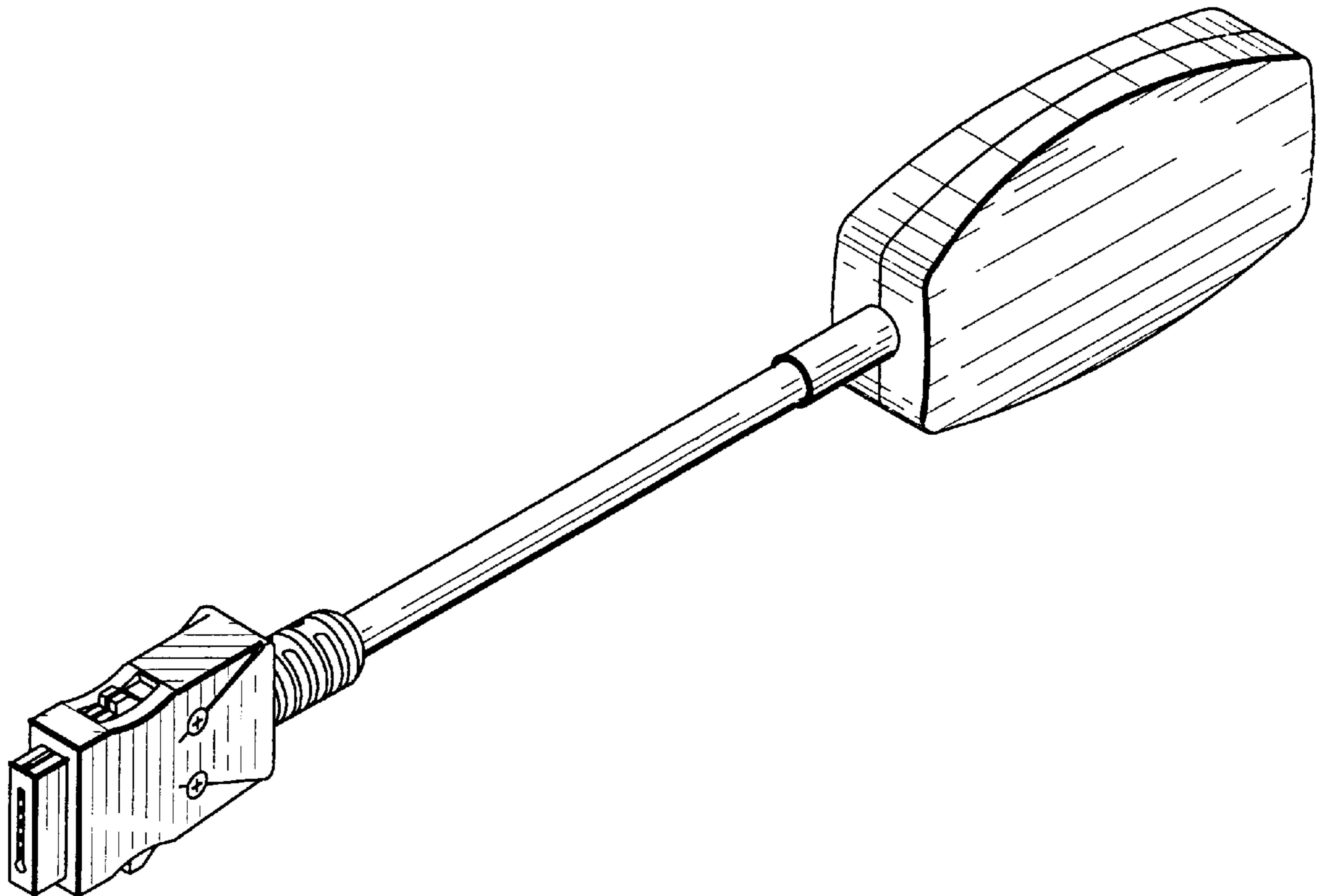
FIG. 5 is a left side elevational view thereof.

FIG. 6 is a top side plan view thereof.

FIG. 7 is a rear side elevational view thereof; and,

FIG. 8 is a right side elevational view thereof.

1 Claim, 2 Drawing Sheets



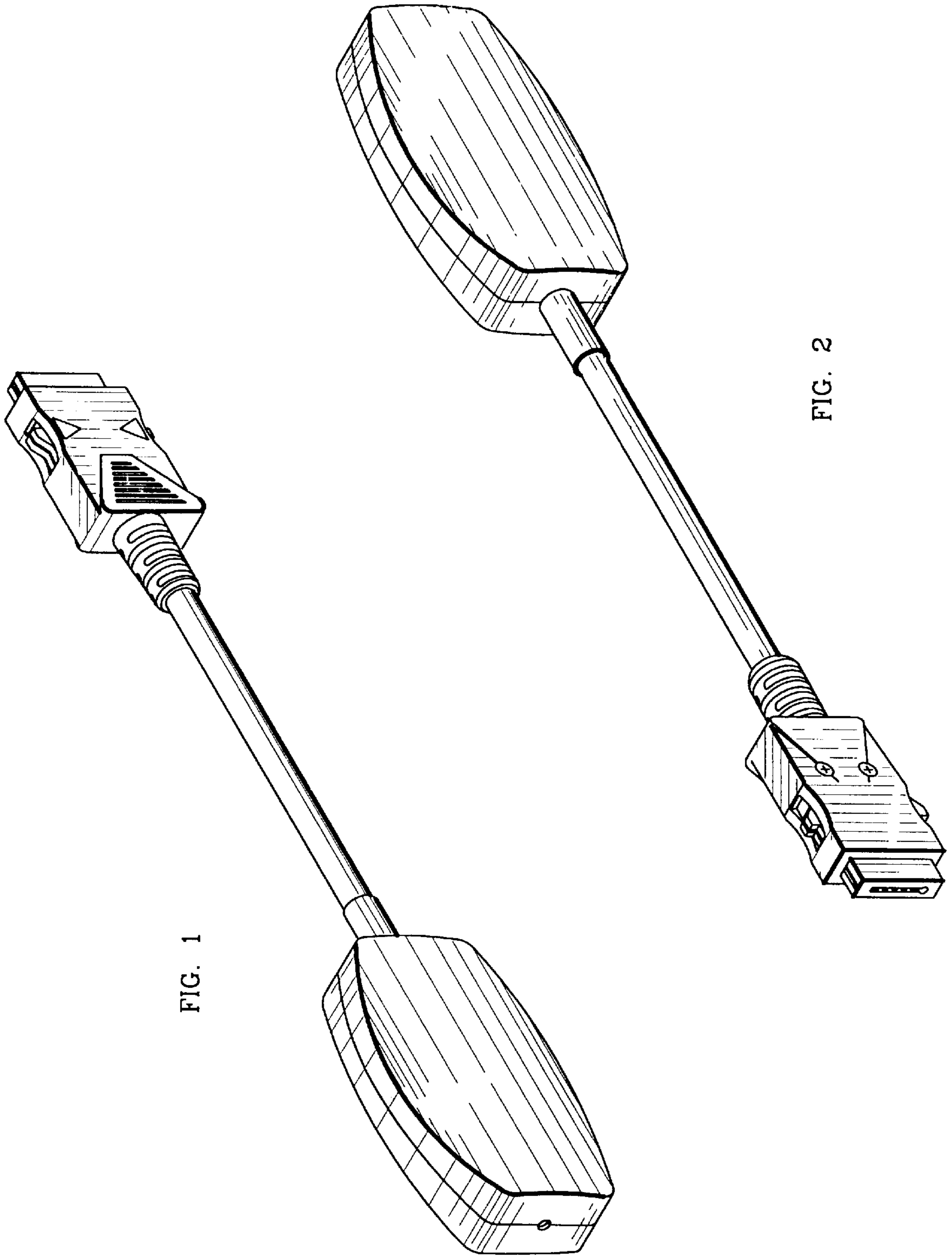


FIG. 1

FIG. 2

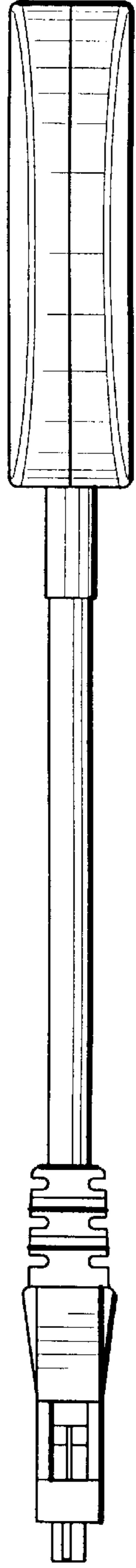


FIG. 3

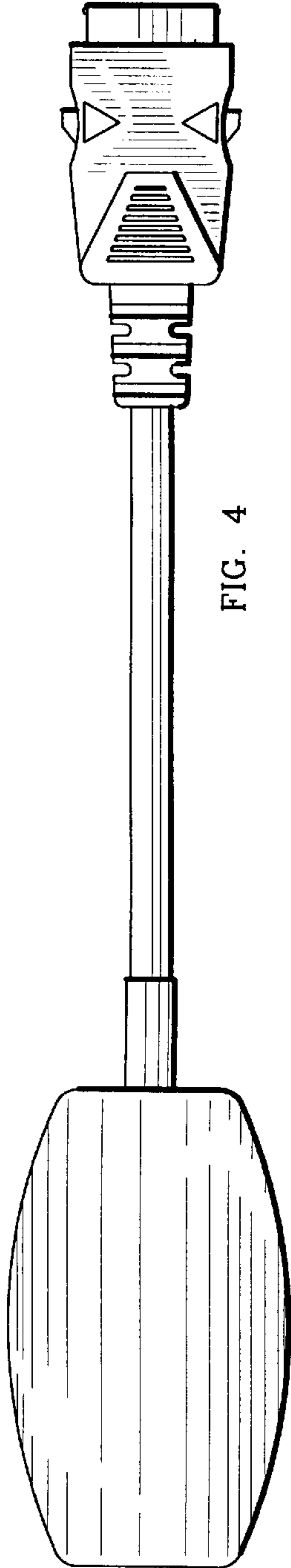


FIG. 4

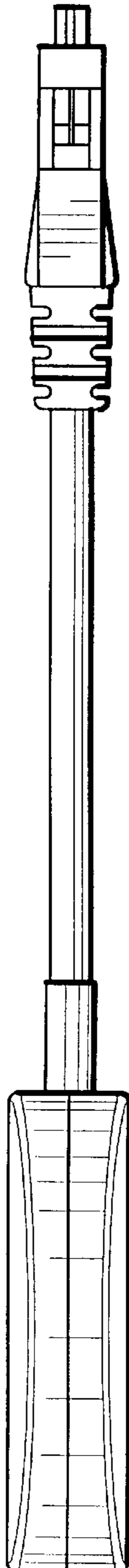


FIG. 6

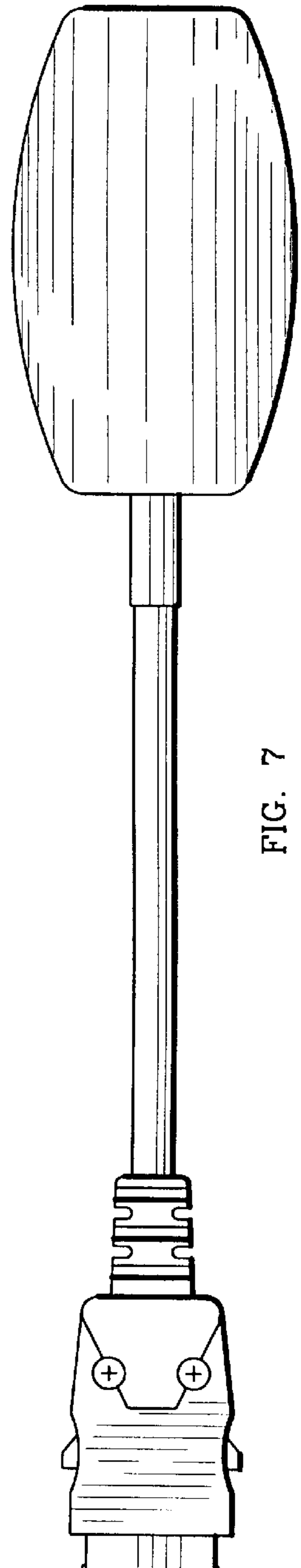


FIG. 7

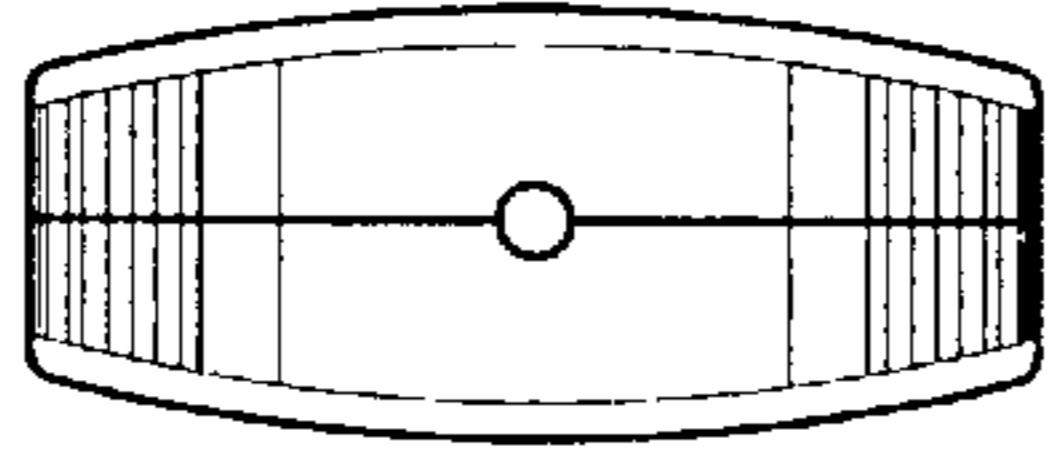


FIG. 5

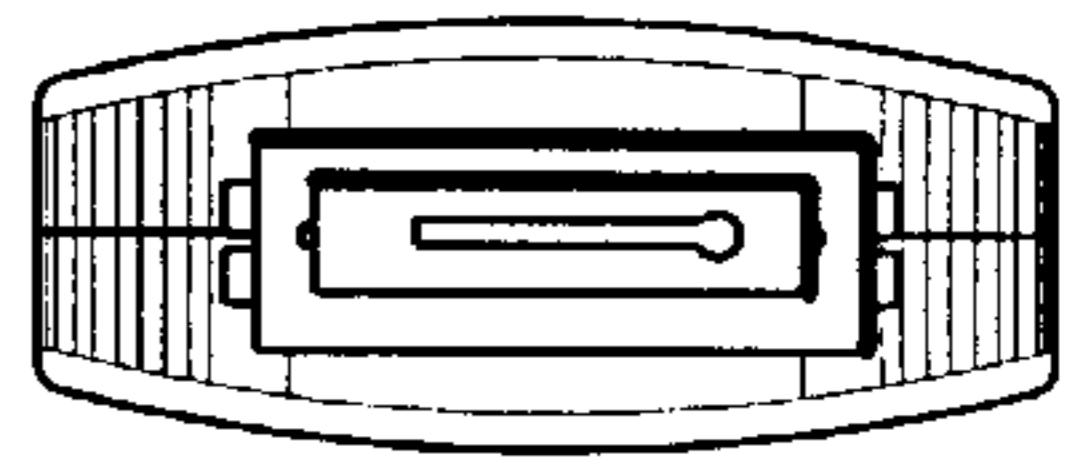


FIG. 8