



US00D409149S

United States Patent [19]
Oikawa

[11] **Patent Number: Des. 409,149**

[45] **Date of Patent: ** May 4, 1999**

[54] **CONNECTOR CORD FOR VIDEO GAME CONTROLLER**

[75] Inventor: **Akitoshi Oikawa**, Tokyo, Japan

[73] Assignee: **Sega Enterprises, Ltd.**, Tokyo, Japan

[**] Term: **14 Years**

[21] Appl. No.: **29/069,857**

[22] Filed: **May 16, 1997**

[30] **Foreign Application Priority Data**

Nov. 20, 1996 [JP] Japan 8-35169

[51] **LOC (6) Cl.** **13-02**

[52] **U.S. Cl.** **D13/153; D13/147**

[58] **Field of Search** D13/146, 147,
D13/153; D14/117.1; 439/502; 237/148;
463/36

[56] **References Cited**

U.S. PATENT DOCUMENTS

D. 378,912 4/1997 Oikawa D13/146
4,501,424 2/1985 Stone et al. 273/148 B
5,394,168 2/1995 Smith, III et al. 345/156
5,759,100 6/1998 Nakanishi 273/148 B X

FOREIGN PATENT DOCUMENTS

62-014527 1/1987 Japan G06F 3/02
2-091595 7/1990 Japan A63F 9/22
2-182281 7/1990 Japan A63F 9/22
2-182282 7/1990 Japan A63F 9/22
62-194389 12/1990 Japan A63F 9/22
4-174694 6/1992 Japan A63F 9/22
5-074589 10/1993 Japan A63F 9/22
6-190144 7/1994 Japan A63F 9/22

6-073841 10/1994 Japan H01H 25/00
6-073842 10/1994 Japan H01H 25/00
8-024439 1/1996 Japan A63F 9/22
8-045392 2/1996 Japan H01H 25/04
8-047581 2/1996 Japan A63F 9/22

Primary Examiner—Joel Sincavage
Attorney, Agent, or Firm—Ladas & Parry

[57] **CLAIM**

The ornamental design for a connector cord for video game controller, as shown and described.

DESCRIPTION

FIG. 1 is a front bottom and right side perspective view of a connector cord for video game controller showing my new design;

FIG. 2 is a front view thereof;

FIG. 3 is a rear view thereof;

FIG. 4 is a top view thereof;

FIG. 5 is a bottom view thereof;

FIG. 6 is a right side view thereof, the left side view being a mirror image of the right side;

FIG. 7 is a cross sectional view thereof taken along line 7—7 in FIG. 2;

FIG. 8 is a cross sectional view thereof taken along line 8—8 in FIG. 2;

FIG. 9 is a top rear and right side perspective view thereof; and,

FIG. 10 is a perspective view thereof showing the state of use.

The cord in FIGS. 1, 2, 3, 6 and 9 is shown broken away for convenience of illustration. the broken line showing the controller in FIG. 10 is included for the purpose of illustrating environmental structure only and forms no part of the claimed design.

1 Claim, 6 Drawing Sheets

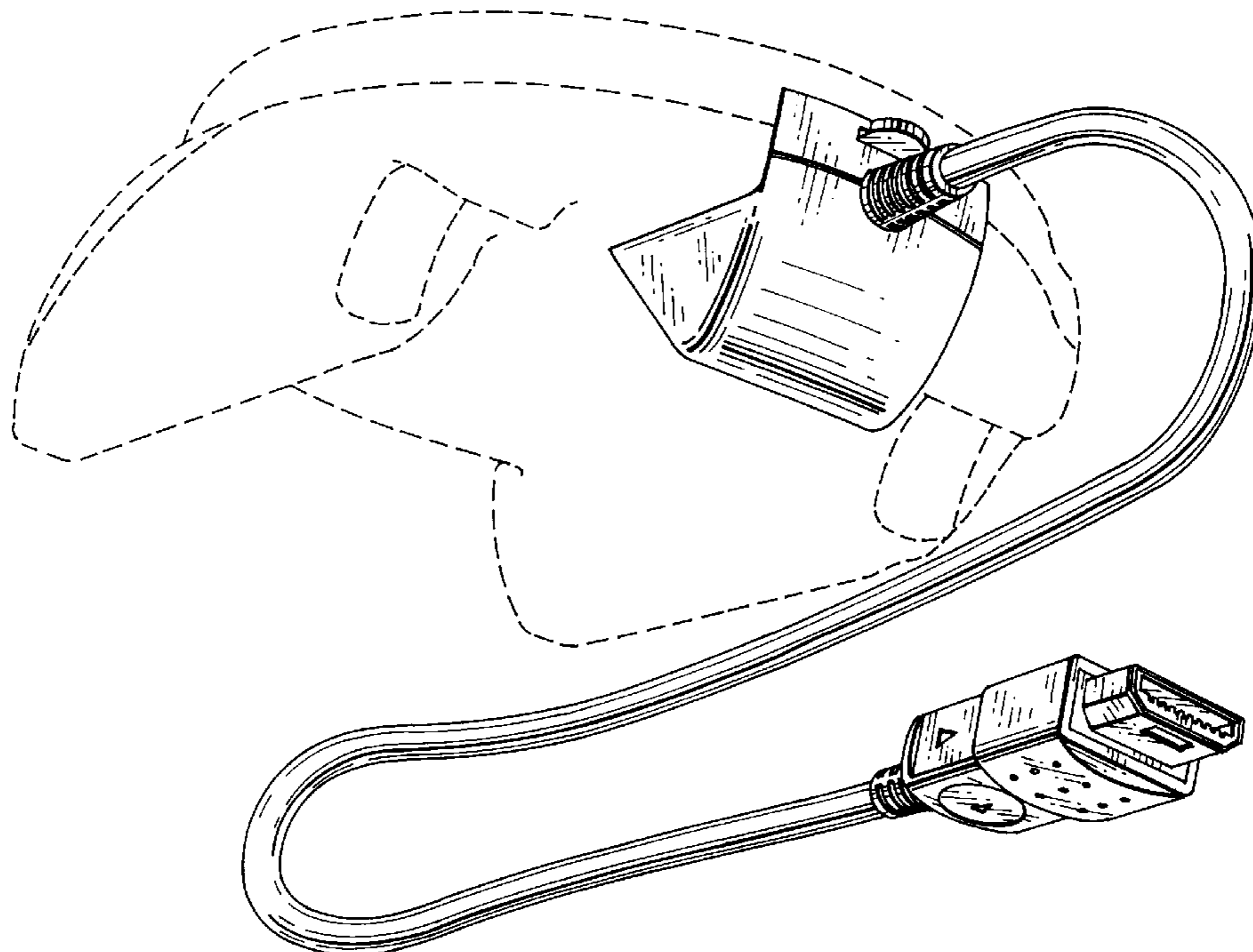


FIG. 1

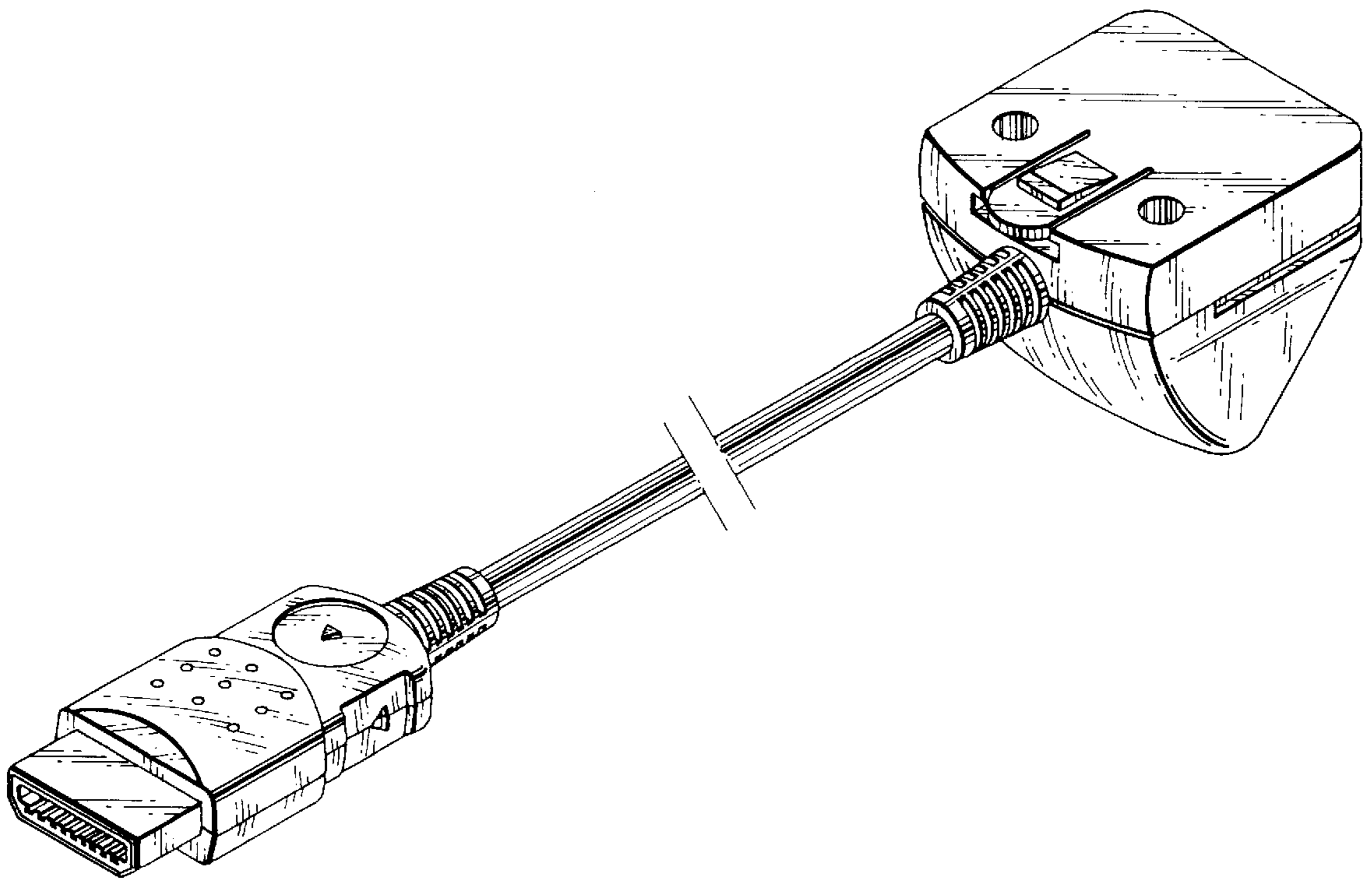


FIG. 2

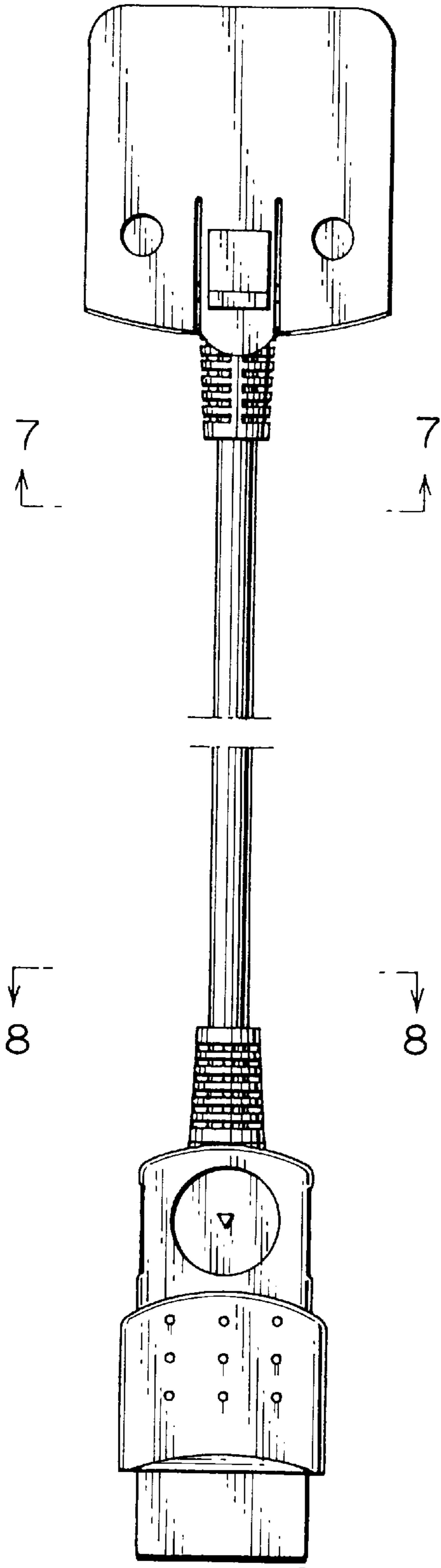


FIG. 3

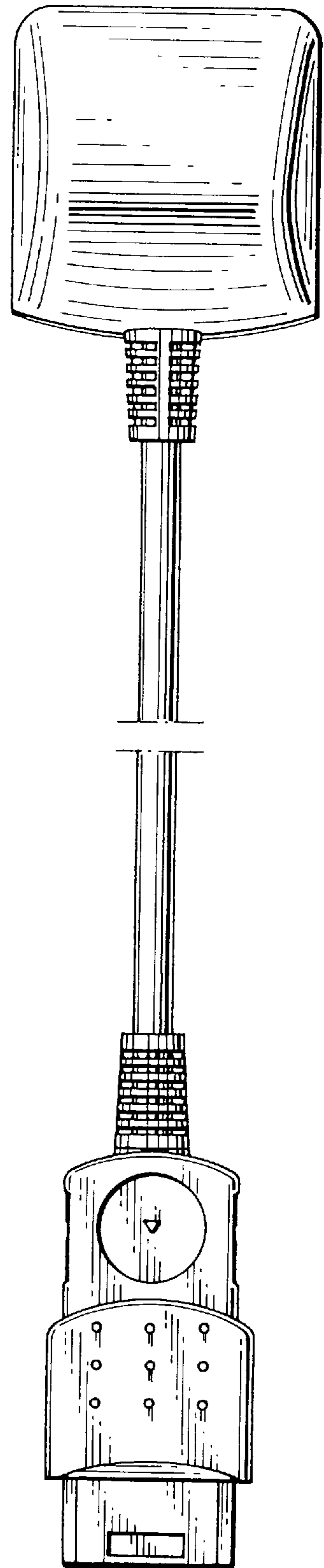


FIG. 4

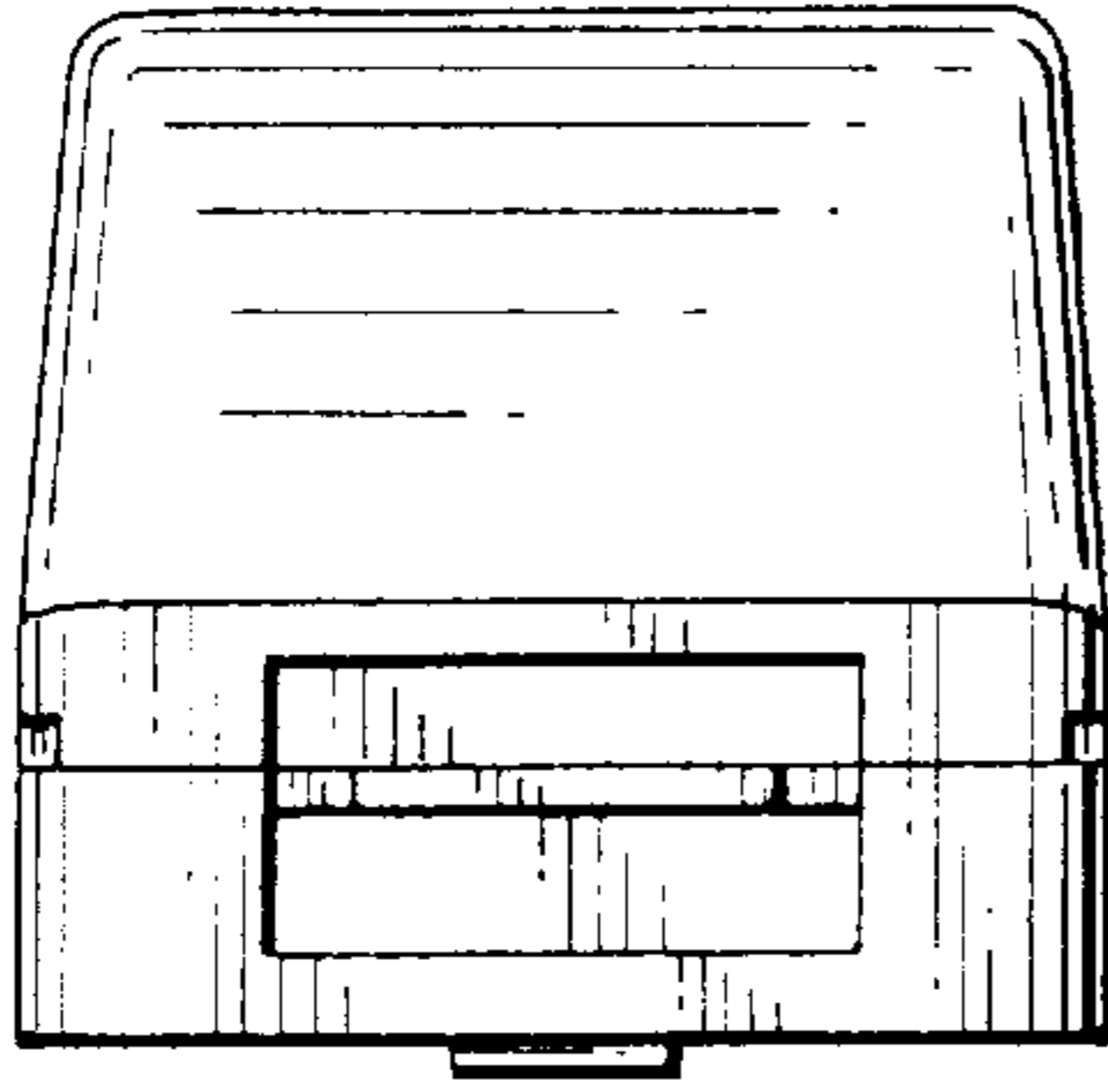


FIG. 5

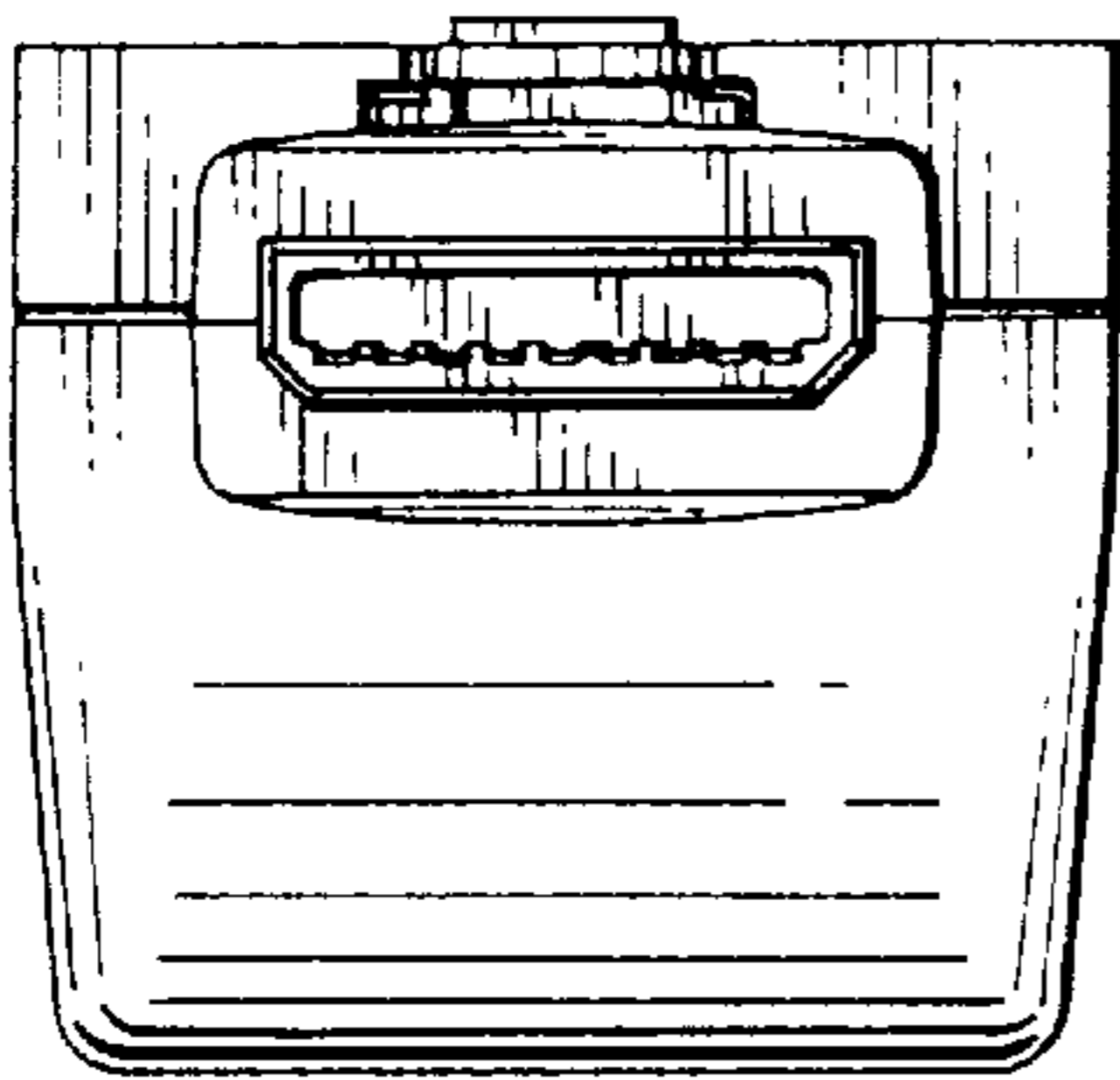


FIG. 6

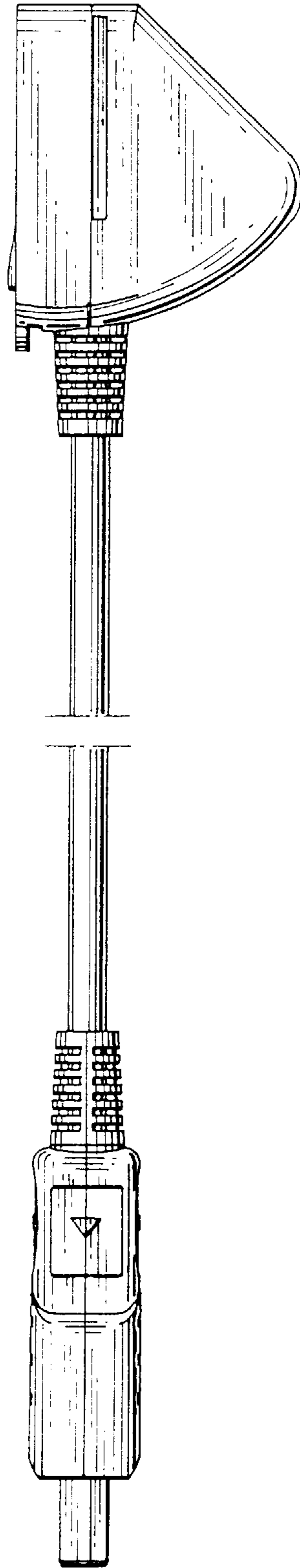


FIG. 7

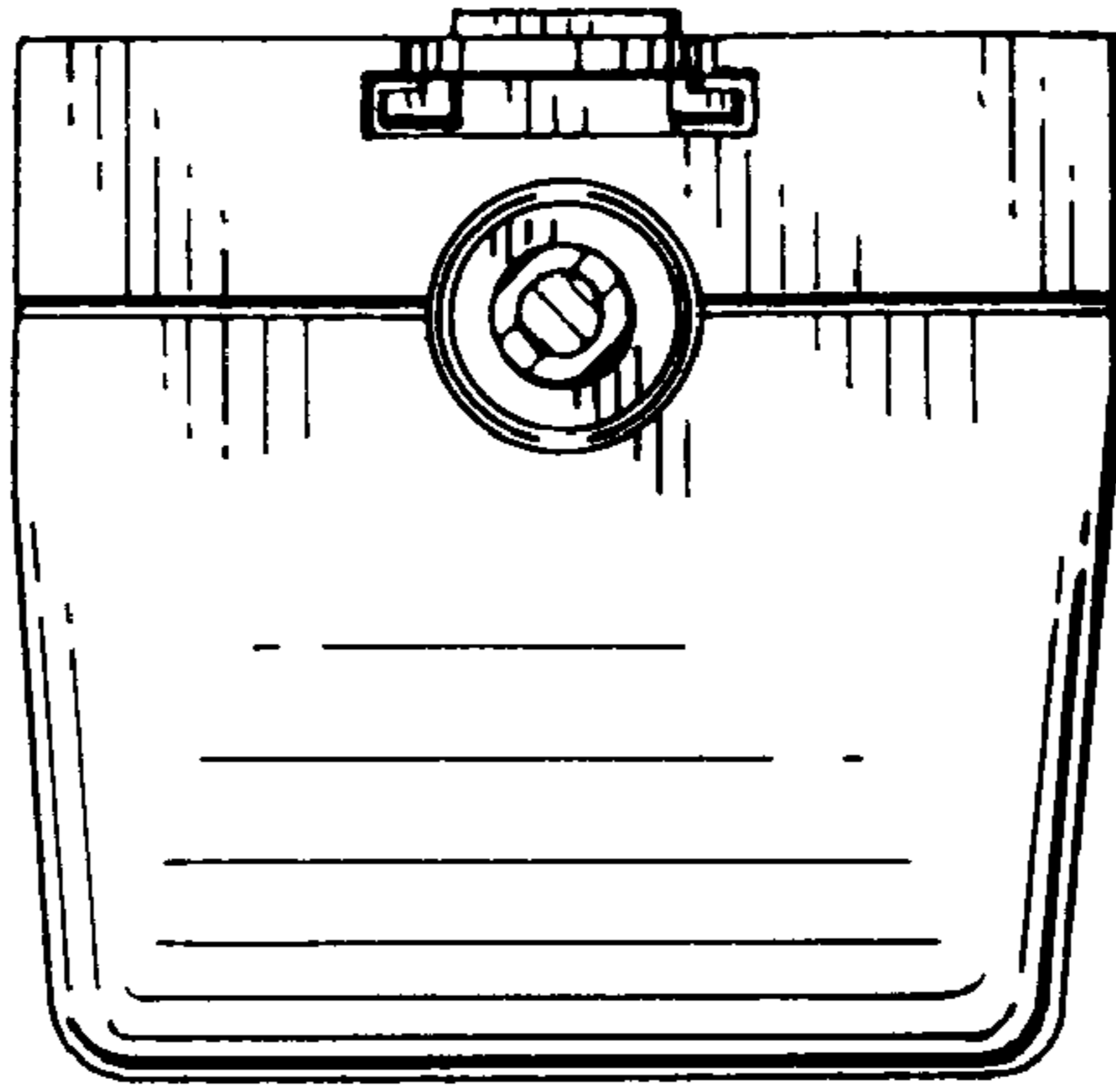


FIG. 8

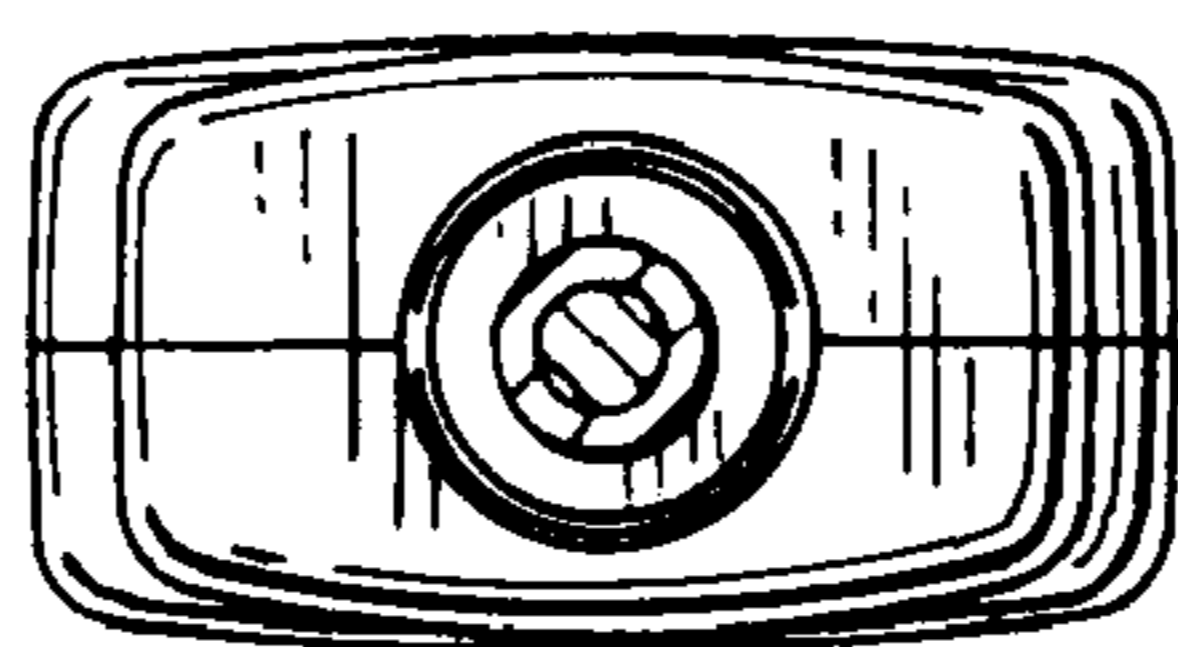


FIG. 9

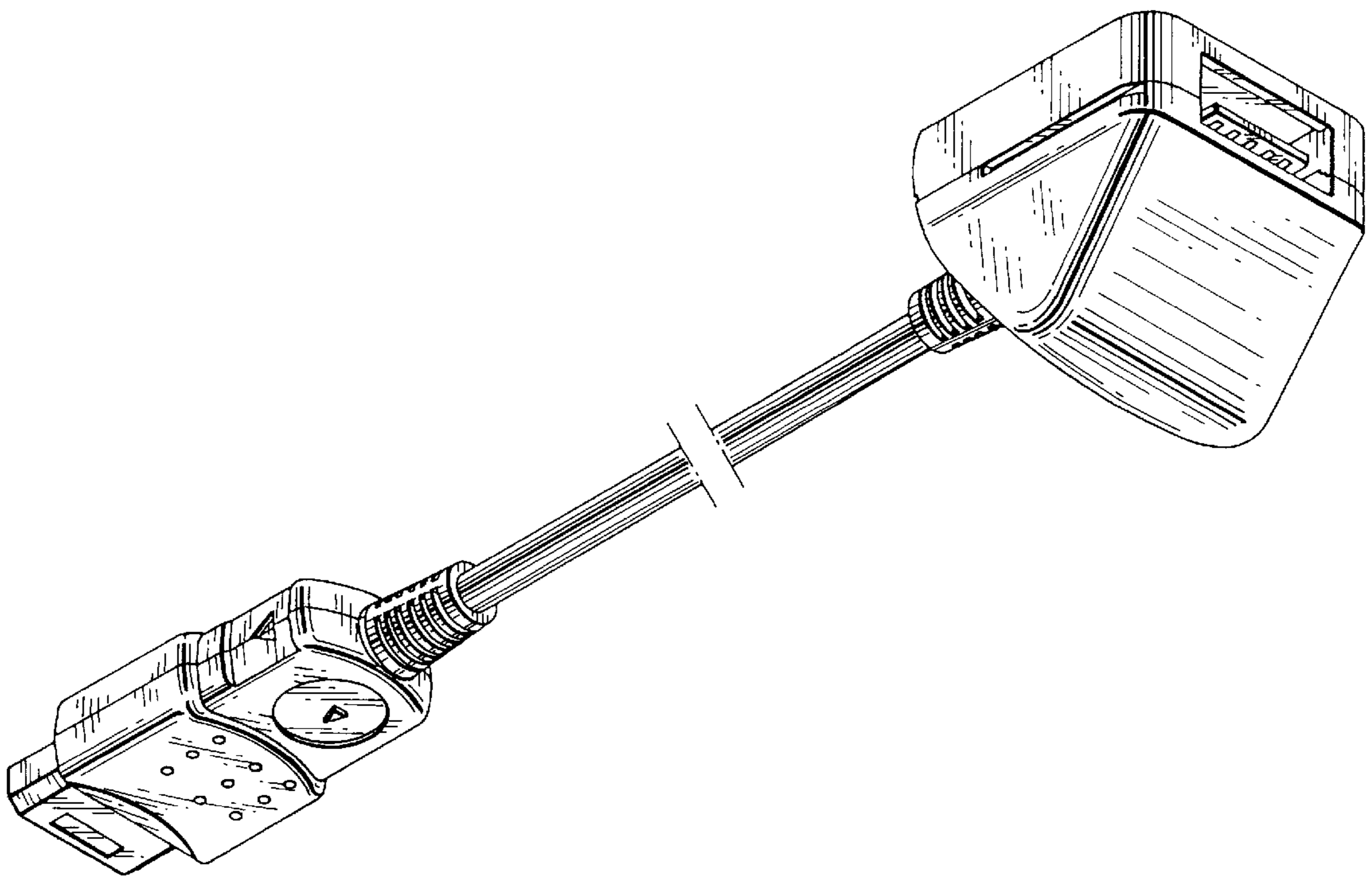


FIG. 10

