



US00D409148S

United States Patent [19]

Yotsutani et al.

[11] Patent Number: **Des. 409,148**

[45] Date of Patent: **** May 4, 1999**

[54] **ELECTRIC CONNECTOR**

[75] Inventors: **Kenichi Yotsutani; Yuji Hirai**, both of Tokyo, Japan

[73] Assignee: **Honda Tsushin Kogyo Co., Ltd.**, Tokyo, Japan

[**] Term: **14 Years**

[21] Appl. No.: **29/088,235**

[22] Filed: **May 19, 1998**

[30] **Foreign Application Priority Data**

Apr. 3, 1998 [JP] Japan 10-9337

[51] **LOC (6) Cl.** **13-03**

[52] **U.S. Cl.** **D13/147**

[58] **Field of Search** D13/146, 147; 439/108, 610, 358, 637

[56] **References Cited**

U.S. PATENT DOCUMENTS

D. 351,135 10/1994 Kurata D13/147

D. 384,330	9/1997	Ichikawa	D13/146
D. 385,255	10/1997	Sato	D13/147
4,824,383	4/1989	Lemke	439/108
4,889,503	12/1989	Philippson et al.	439/610
5,634,809	6/1997	Hirai	439/358 X
5,775,931	7/1998	Jones	439/358

Primary Examiner—Joel Sincavage
Attorney, Agent, or Firm—Nikaido, Marmelstein, Murray & Oram LLP

[57] **CLAIM**

The ornamental design for an electrical connector, as shown and described.

DESCRIPTION

FIG. 1 is a perspective view of the electric connector showing my new design; FIG. 2 is a front elevational view thereof; FIG. 3 is a rear elevational view thereof; FIG. 4 is a right side elevational view thereof; FIG. 5 is a top plan view thereof; and, FIG. 6 is a bottom plan view thereof.

1 Claim, 2 Drawing Sheets

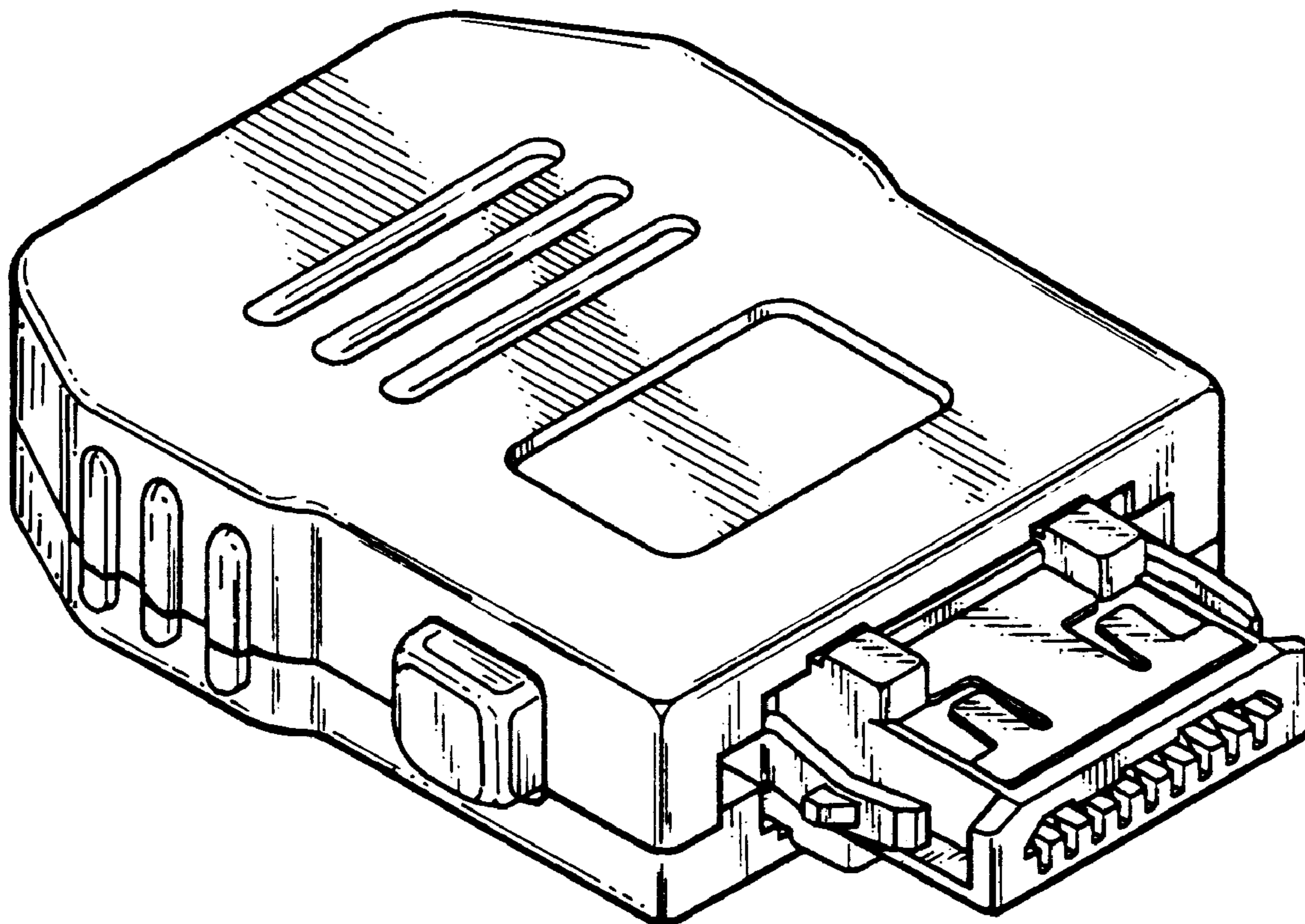


FIG. 1

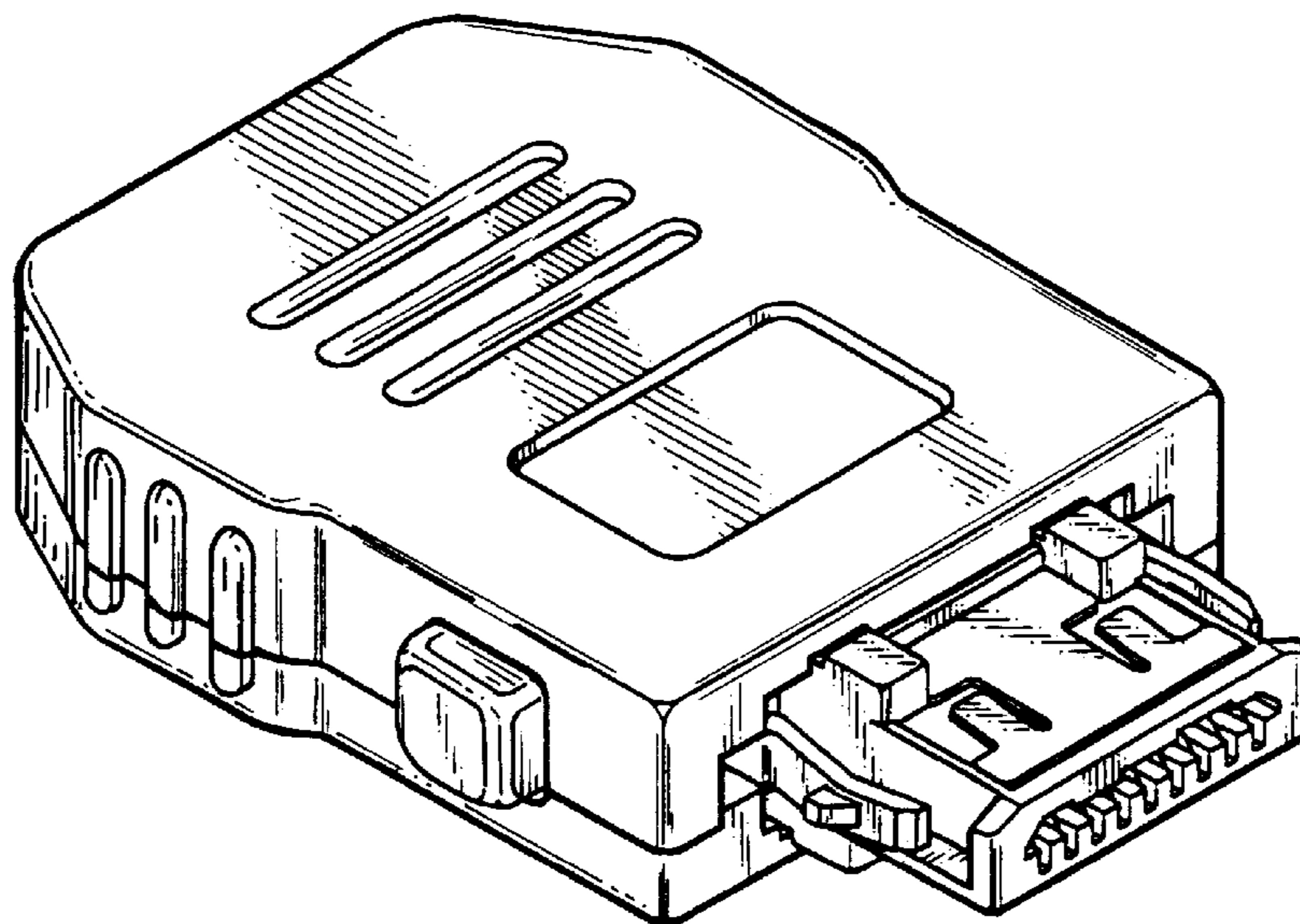


FIG. 2

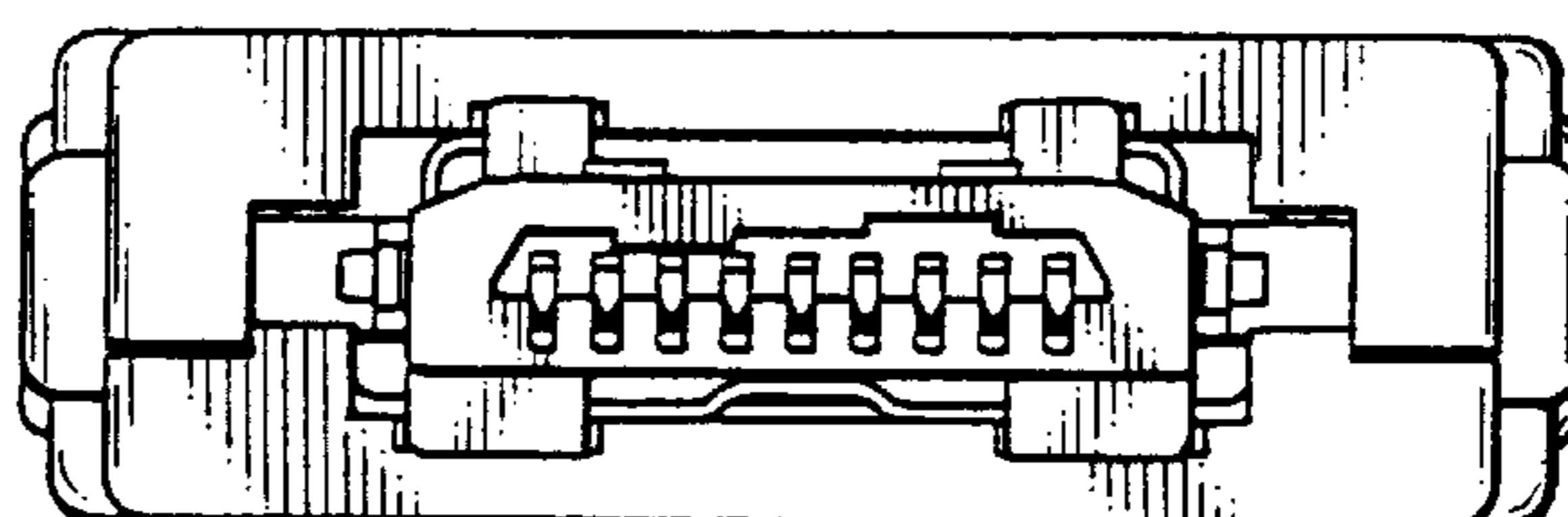


FIG. 3

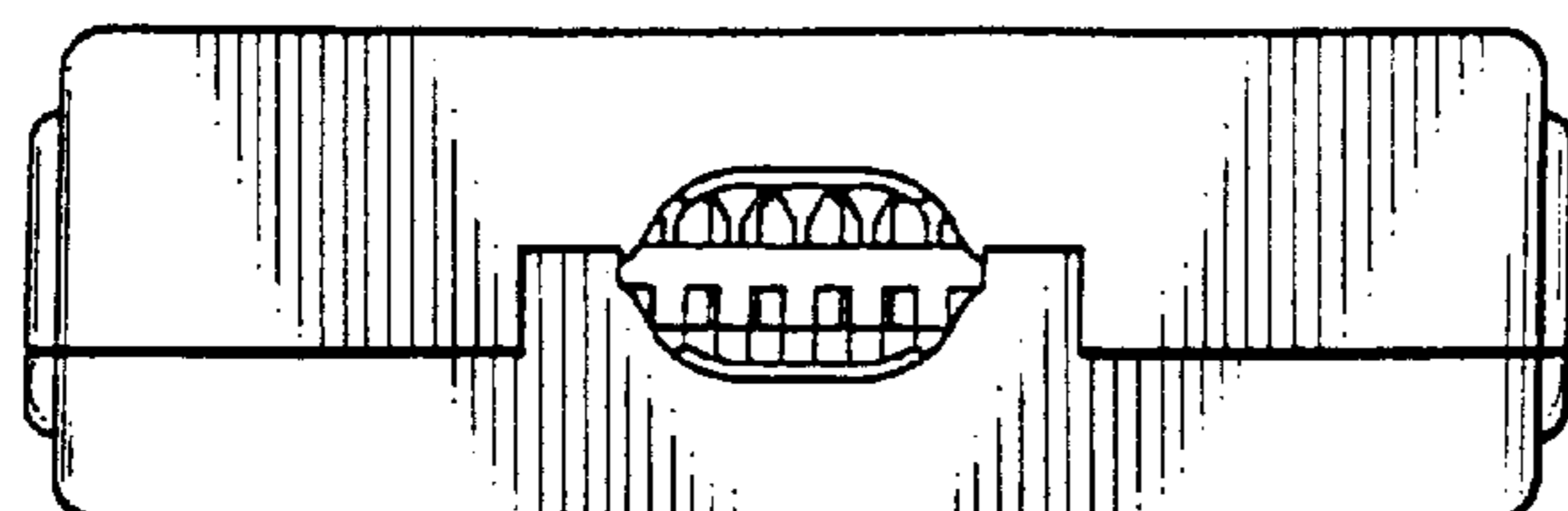


FIG. 4

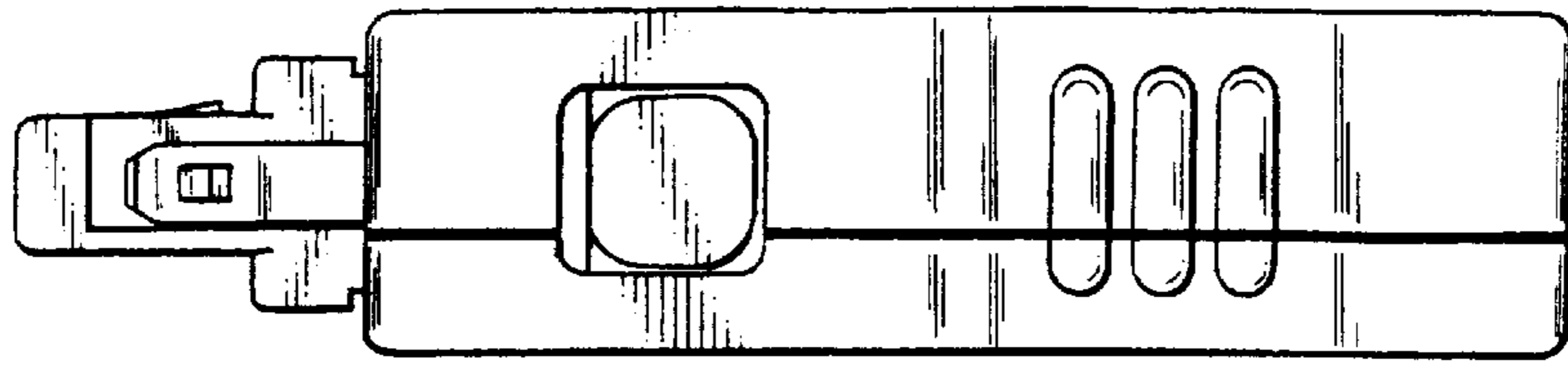


FIG. 5

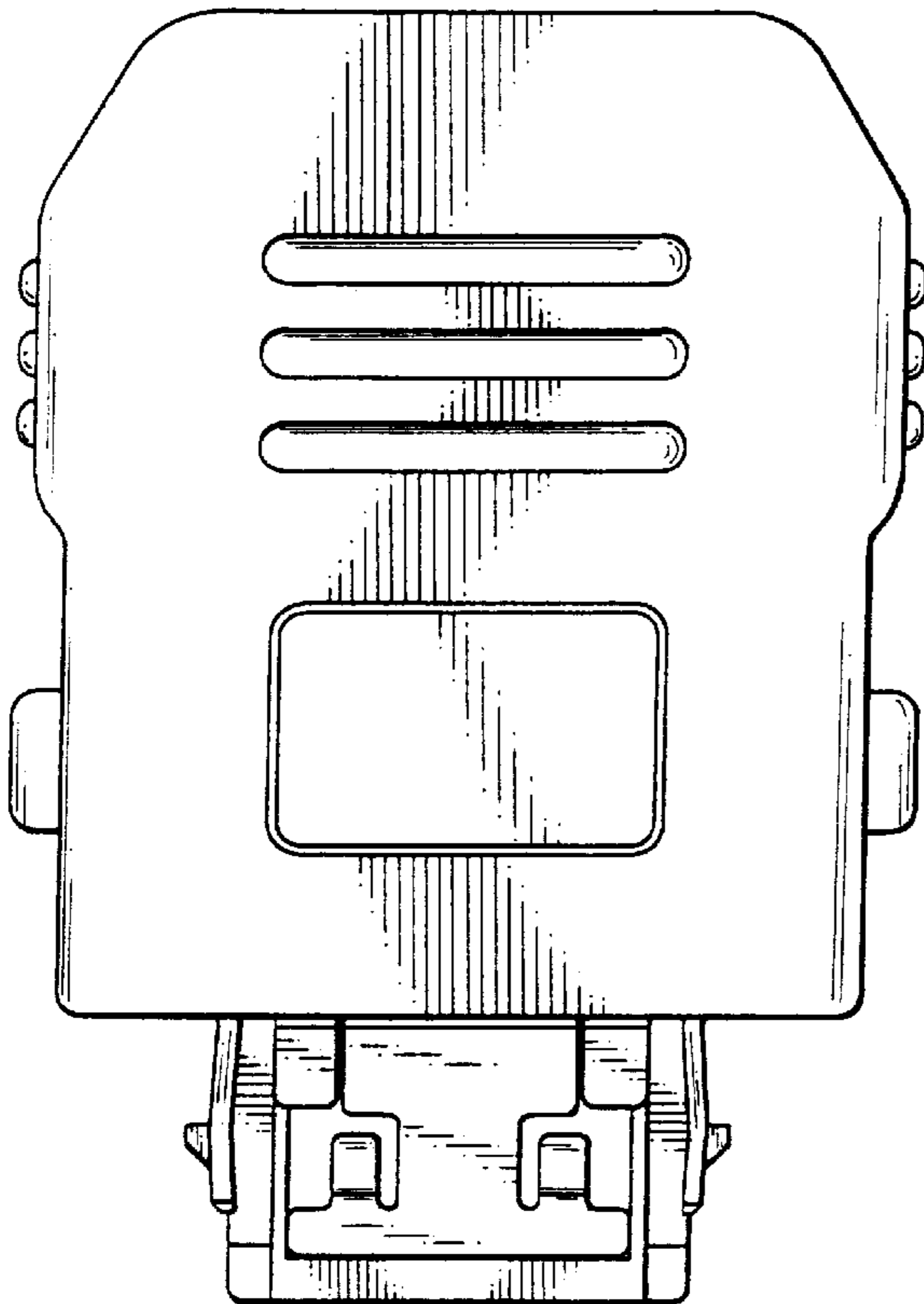


FIG. 6

