



US00D409146S

United States Patent [19] Fladung

[11] Patent Number: **Des. 409,146**

[45] Date of Patent: **** May 4, 1999**

[54] ELECTRICAL OUTLET IN-LINE TAP

OTHER PUBLICATIONS

[75] Inventor: **Phil Fladung**, Carmel, Ind.

U.S. application No. 29/076,794, Fladung, filed Aug. 8, 1997.

[73] Assignee: **Woods Industries, Inc.**, Carmel, Ind.

Primary Examiner—Susan J. Lucas
Assistant Examiner—Jennifer Rivard
Attorney, Agent, or Firm—McAndrews, Held & Malloy, Ltd.

[**] Term: **14 Years**

[21] Appl. No.: **29/074,796**

[57] CLAIM

[22] Filed: **Aug. 8, 1997**

The ornamental design for an electrical outlet in-line tap, as shown and described.

[51] LOC (6) Cl. **13-03**

[52] U.S. Cl. **D13/137.2**

[58] Field of Search 439/369, 373,
439/692, 650-652, 655, 490, 470, 449,
892, 893; 174/53, 59, 50; 29/869; D13/137.1-137.4,
138.1-138.2, 139.1-139.8

DESCRIPTION

[56] References Cited

U.S. PATENT DOCUMENTS

D. 251,293	3/1979	Trueblood	D13/137.2
D. 350,938	9/1994	Rossmann et al.	D13/137.2
D. 397,086	8/1998	Lin	D13/137.2
3,383,639	5/1968	Anderson et al.	.	
3,609,638	9/1971	Darrey	.	
4,183,603	1/1980	Donarummo	.	
5,255,866	10/1993	Campolo	.	
5,582,524	12/1996	Sanner et al.	.	

FIG. 1 is perspective view of the electrical outlet in-line tap having the design of the present invention.

FIG. 2 is a left side view of the electrical outlet in-line tap of FIG. 1.

FIG. 3 is a top view of the electrical outlet in-line tap of FIG. 1.

FIG. 4 is a right side view of the electrical outlet in-line tap of FIG. 1.

FIG. 5 is a front view of the electrical outlet in-line tap of FIG. 1.

FIG. 6 is a back view of the electrical outlet in-line tap of FIG. 1; and,

FIG. 7 is a bottom view of the electrical outlet in-line tap of FIG. 1.

1 Claim, 3 Drawing Sheets

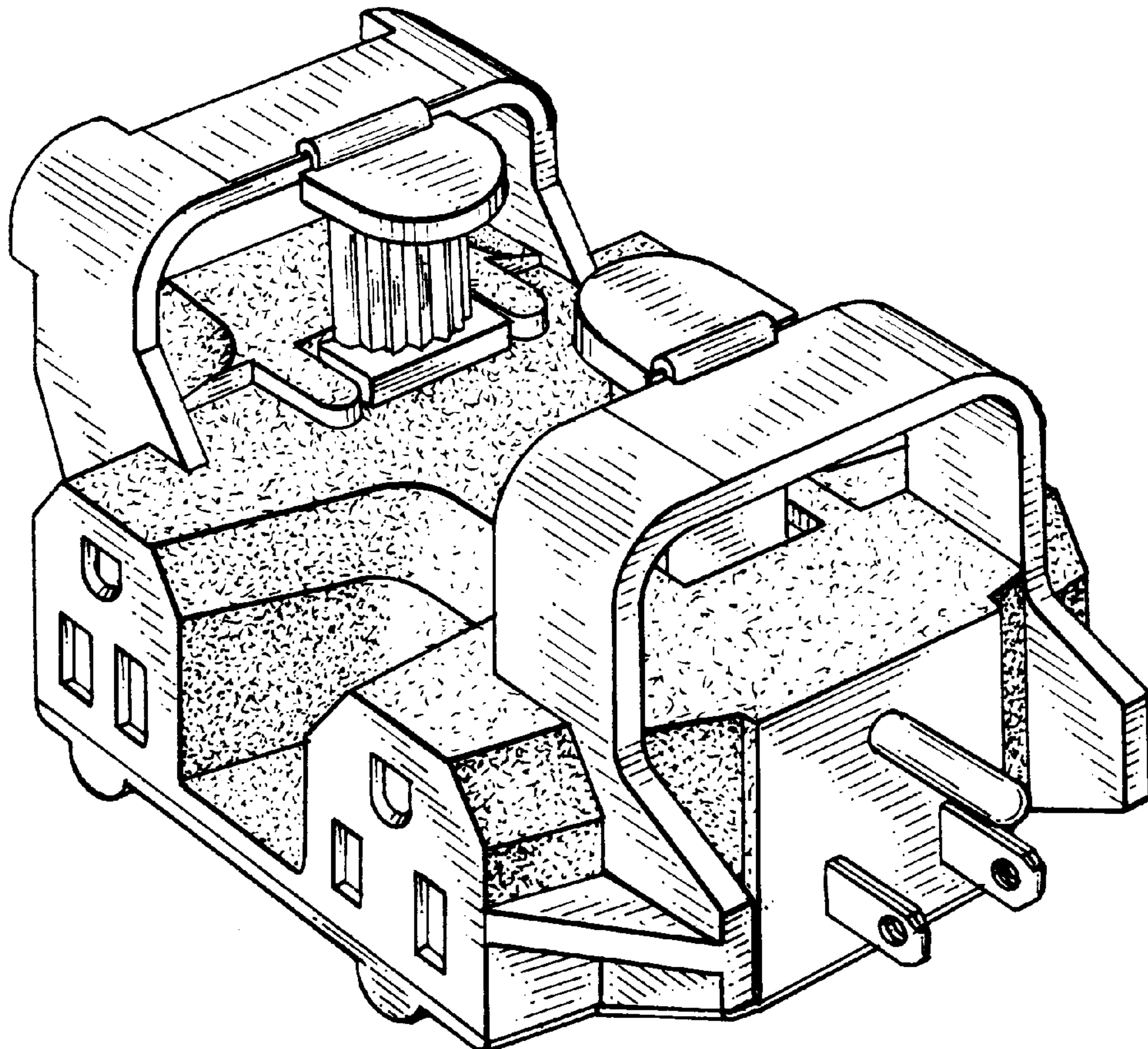


FIG. 1

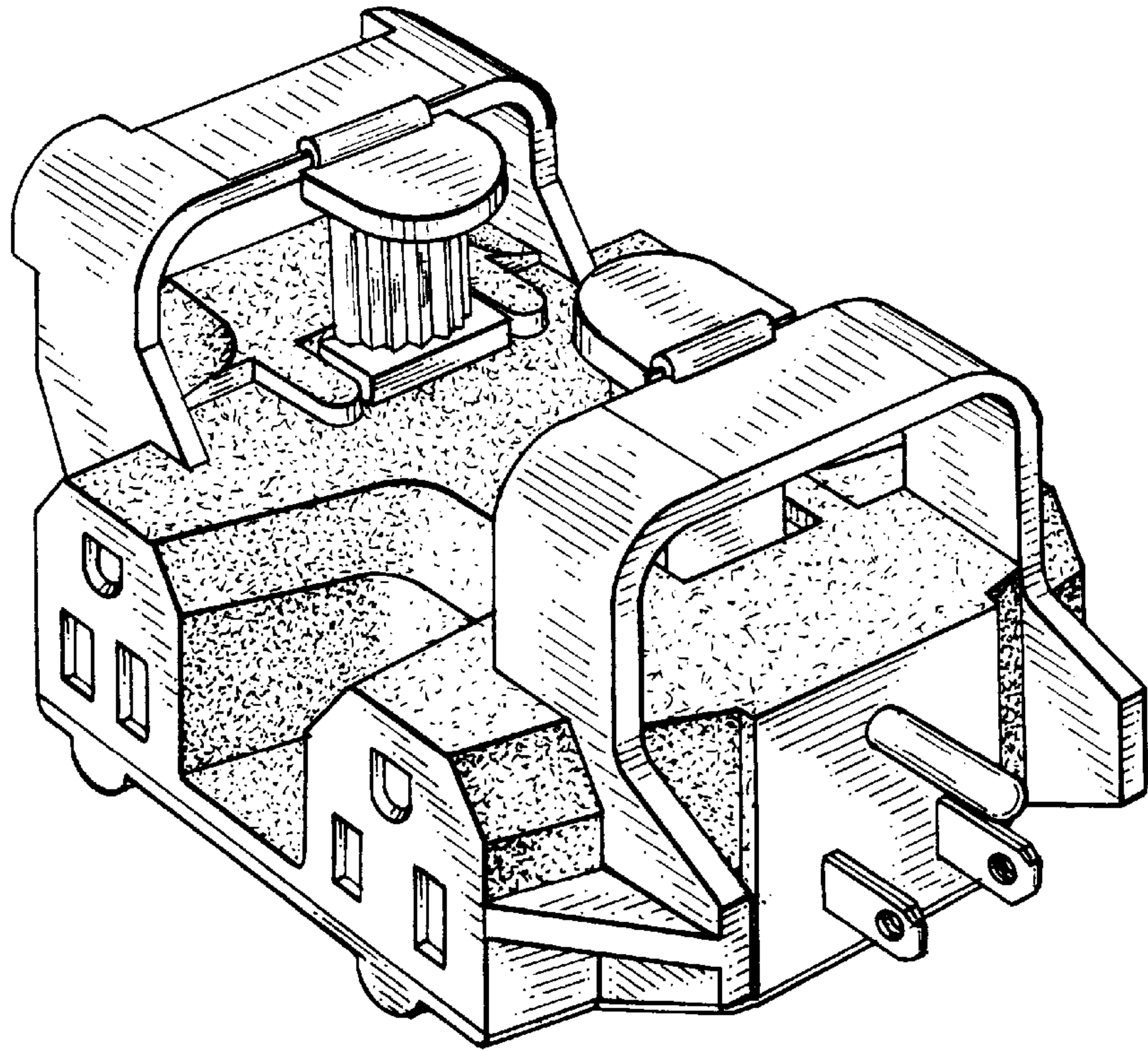


FIG. 2

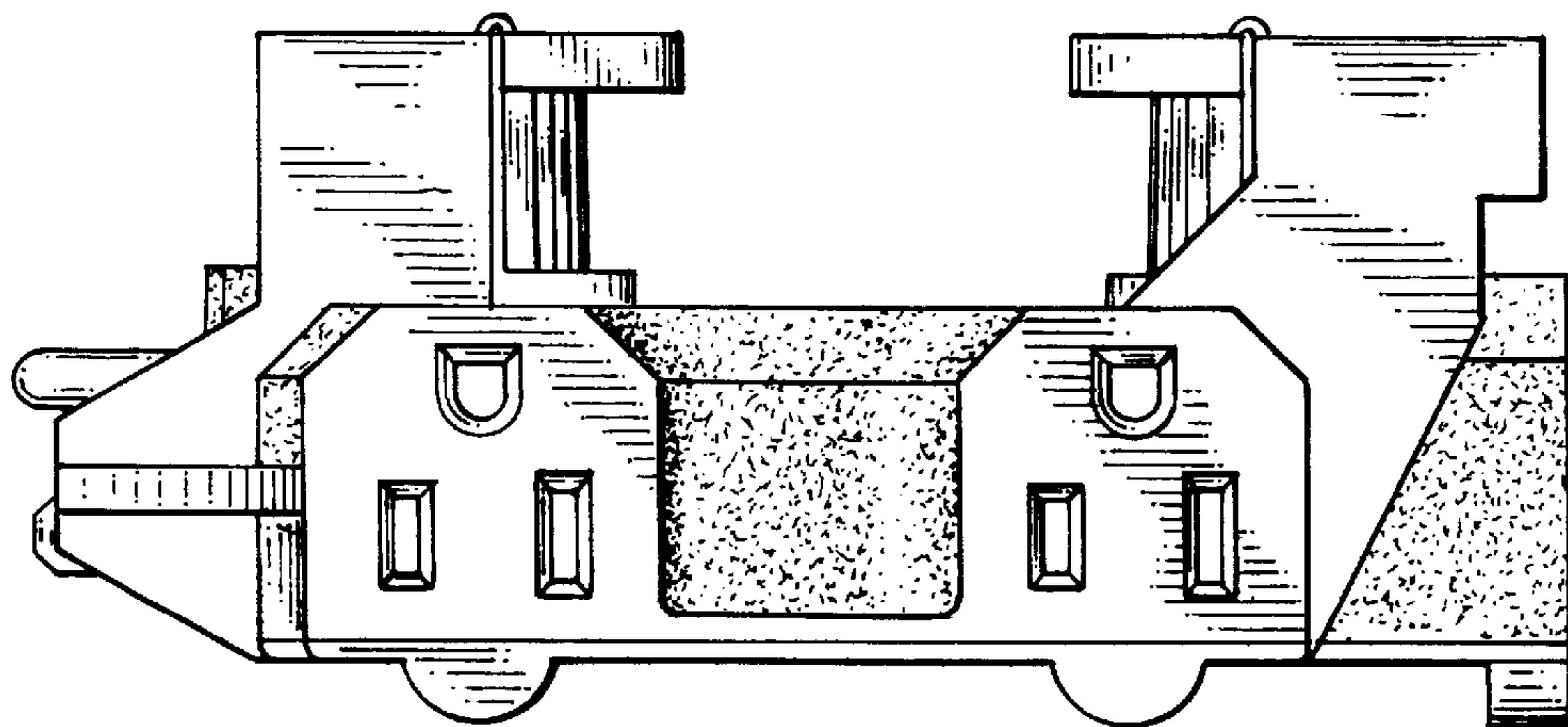


FIG. 3

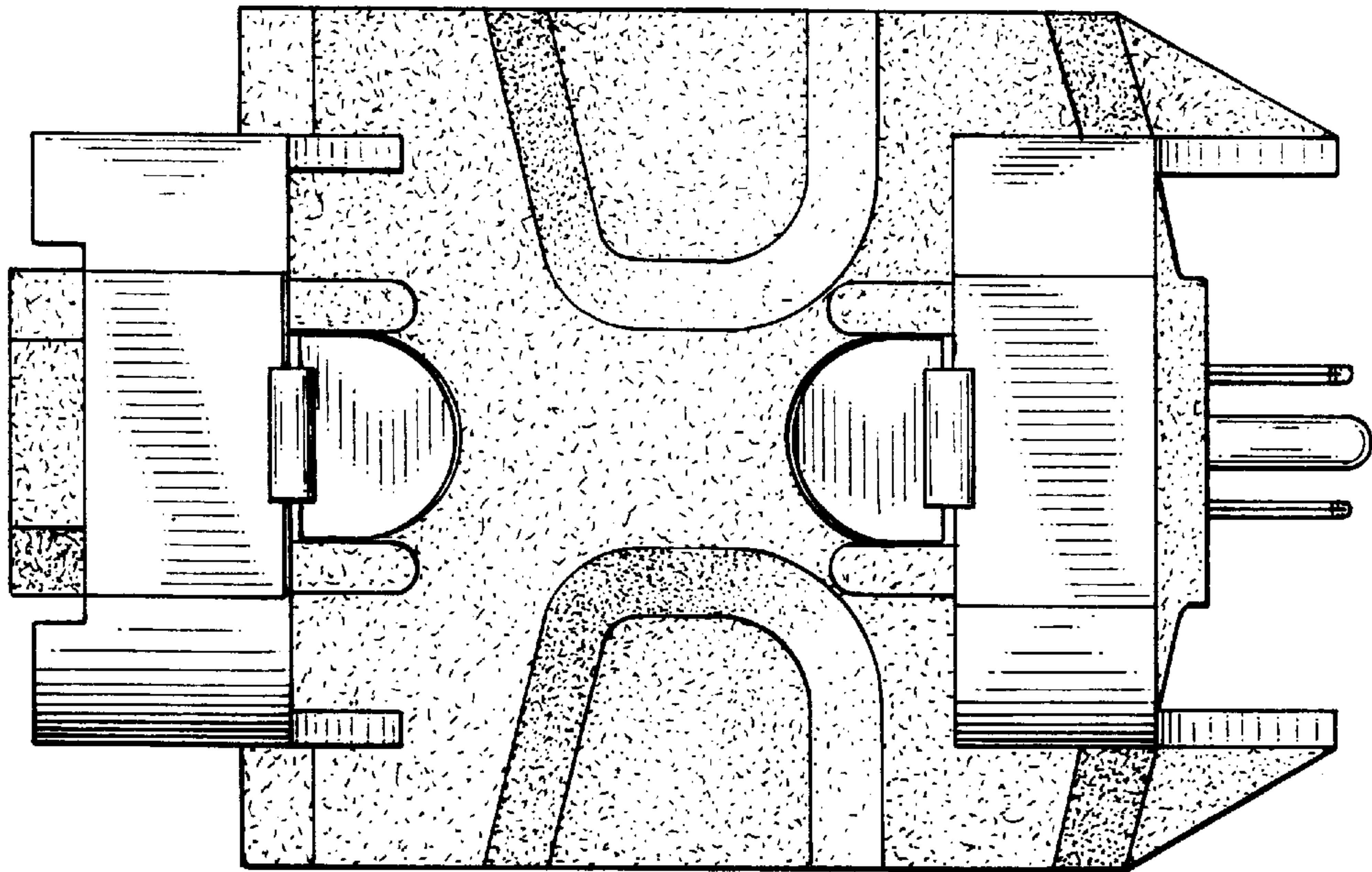


FIG. 4

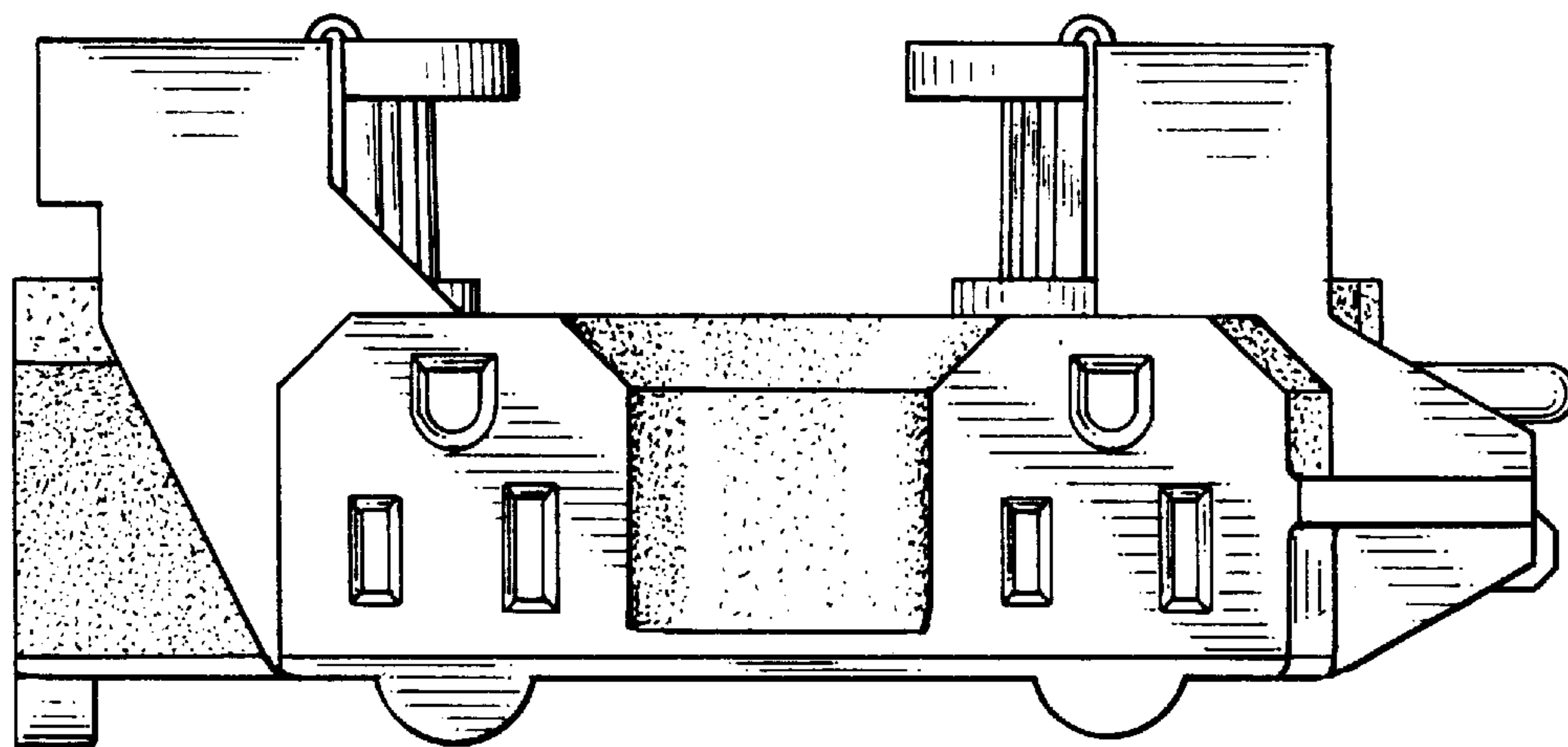


FIG.5

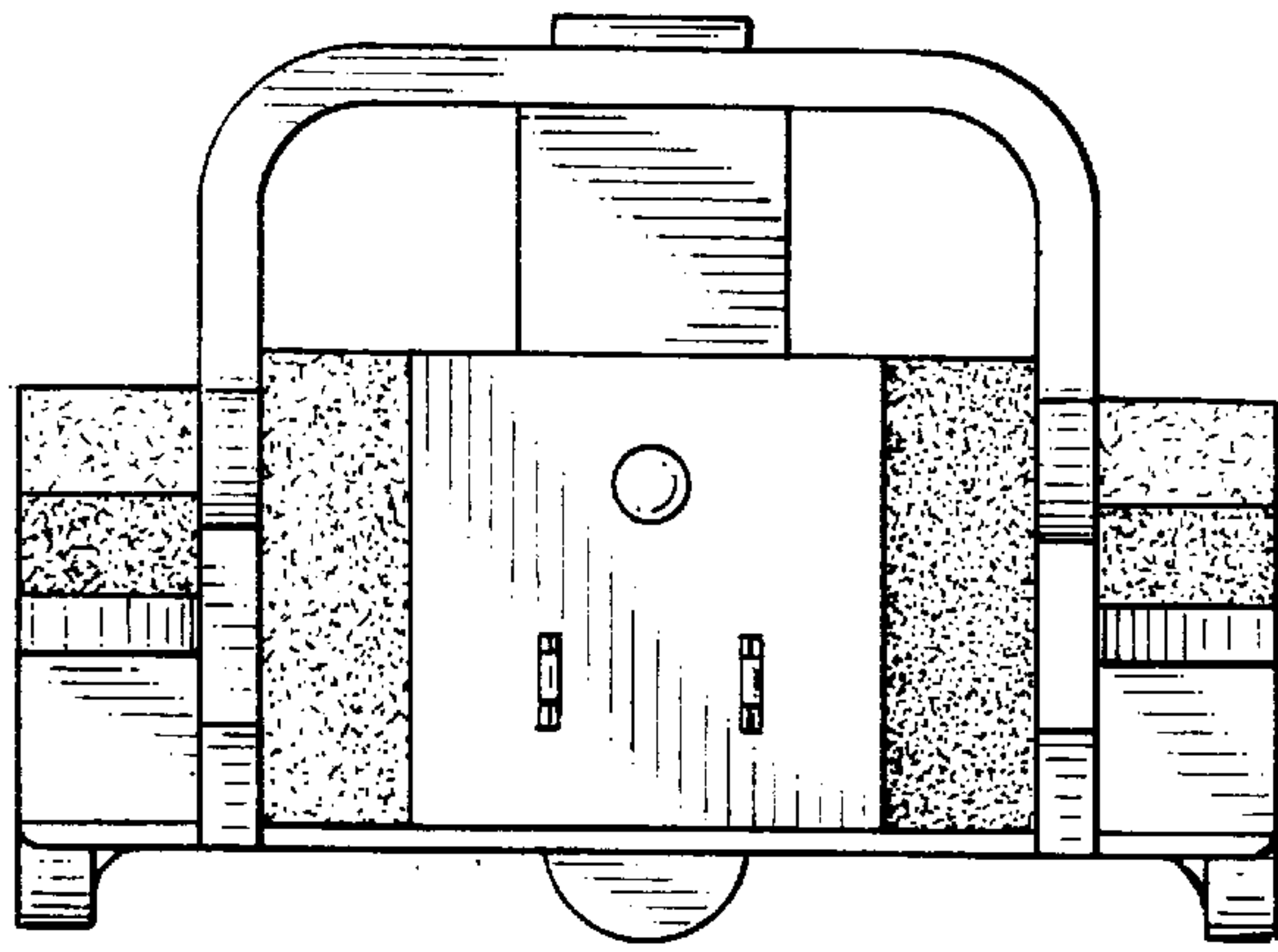


FIG.6

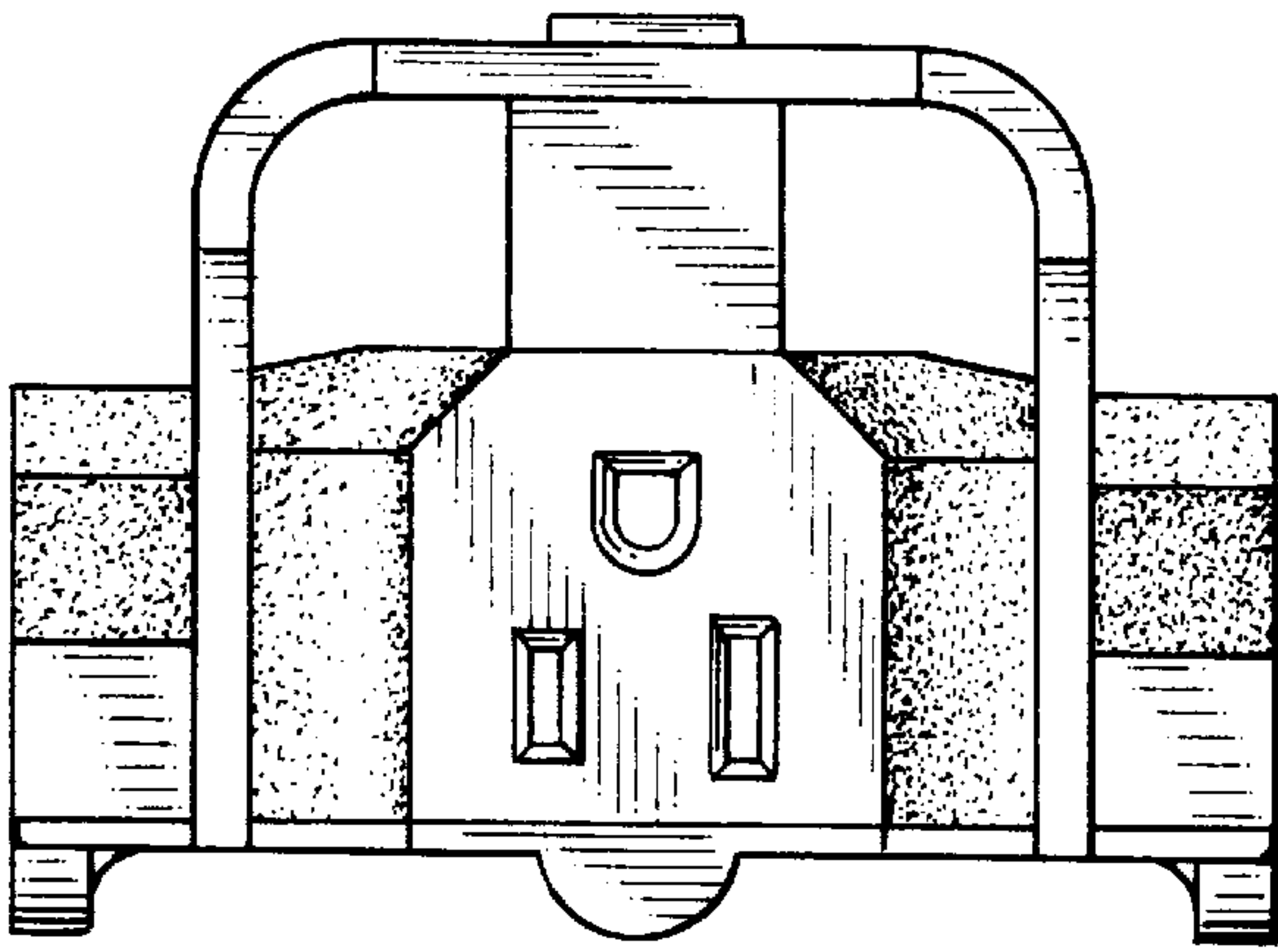


FIG.7

