



US00D409144S

United States Patent [19]

[11] Patent Number: Des. 409,144

Brandt et al.

[45] Date of Patent: ** May 4, 1999

[54] NETWORK CABLE CONNECTOR

[75] Inventors: David D. Brandt, Milwaukee, Wis.; Robert E. Lounsbury, Chardon, Ohio; Dennis C. Mackey, Hamilton, Mass.; Earl W. McCleerey, Mechanicsburg; Michael E. Shirk, Grantville, both of Pa.; Brian J. Taylor, Arlington, Mass.; Douglas M. Walburn, Linglestown, Pa.; Robert W. Walker, Harrisburg, Pa.; Robert N. Whiteman, Jr., Middletown, Pa.

4,508,399	4/1985	Dowling et al.	339/17
4,900,265	2/1990	Lynch	439/499
4,938,719	7/1990	Sawai et al.	439/724 X
5,435,747	7/1995	Franckx et al.	439/409
5,453,022	9/1995	Staiger et al.	439/404

Primary Examiner—Joel Sincavage
Attorney, Agent, or Firm—Patrick S. Yoder; John J. Horn; John M. Miller

[73] Assignee: Allen-Bradley Company, LLC, Milwaukee, Wis.

[**] Term: 14 Years

[21] Appl. No.: 29/079,044

[22] Filed: Nov. 7, 1997

[51] LOC (6) Cl. 13-03

[52] U.S. Cl. D13/133

[58] Field of Search D13/146, 147; 439/405, 409, 499, 634, 712, 715, 724

[56] References Cited

U.S. PATENT DOCUMENTS

3,877,774	4/1975	Dorrell	339/99
4,169,647	10/1979	Knowles et al.	439/405
4,209,219	6/1980	Proietto	339/99
4,460,229	7/1984	Matthews	439/405
4,466,050	8/1984	Lockard	362/307

[57] CLAIM

The ornamental design for a network cable connector, as shown and described.

DESCRIPTION

FIG. 1 is a top perspective view of a network cable connector in accordance with our design, upper and lower sections of a connector system interfacing with the connector being shown in broken lines for illustrative purposes only;

FIG. 2 is a top plan view of the cable connector of FIG. 1; FIG. 3 is a left side elevational view thereof; FIG. 4 is a right side elevational view thereof; FIG. 5 is a front elevational view thereof; FIG. 6 is a rear elevational view thereof; and, FIG. 7 is a bottom plan view thereof, contours of a connector interface being shown in broken lines for illustrative purposes only.

The broken line showing throughout the drawing figures is included for the purpose of illustrating environmental features and structure only, and forms no part of the claimed design.

1 Claim, 3 Drawing Sheets

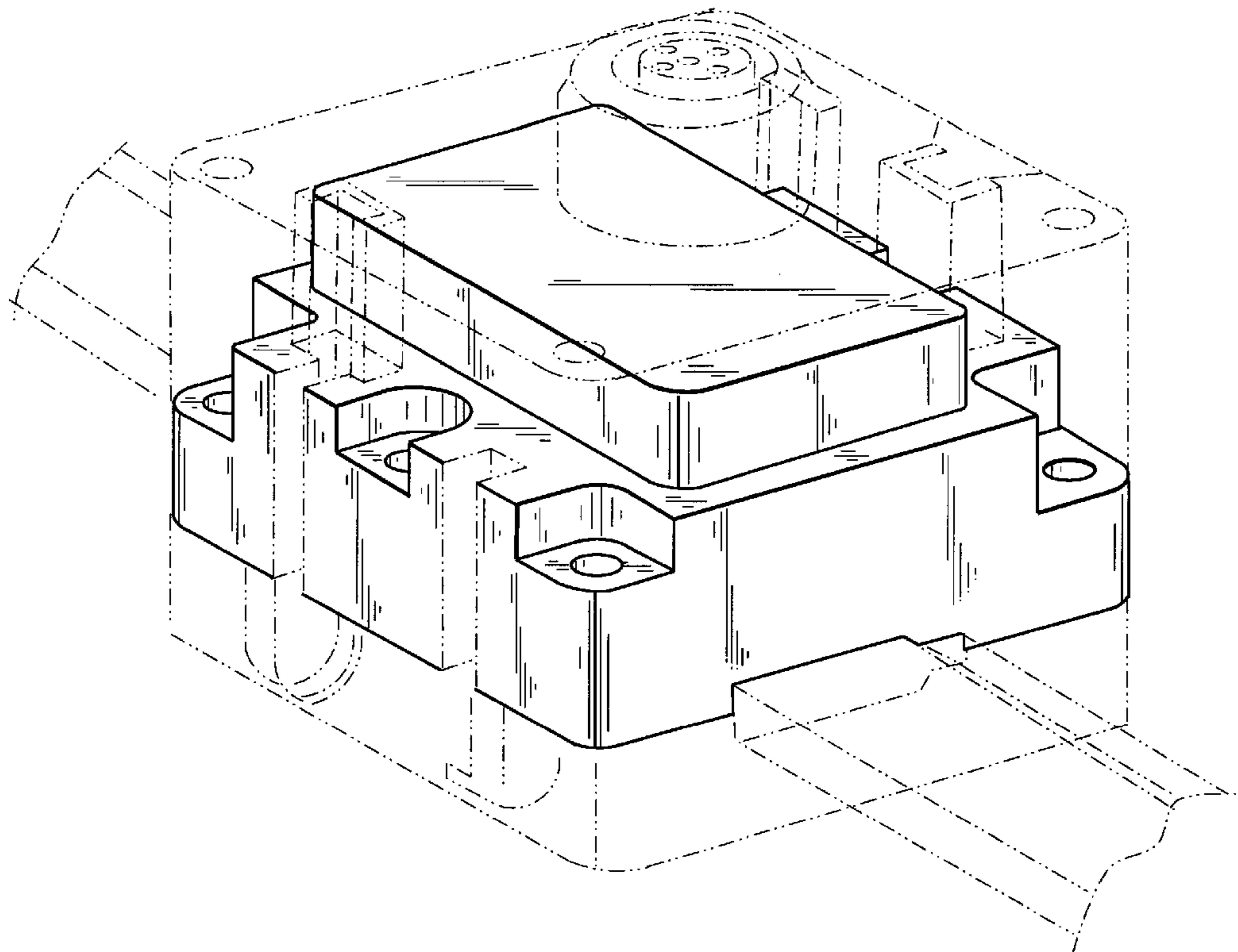


FIG. 1

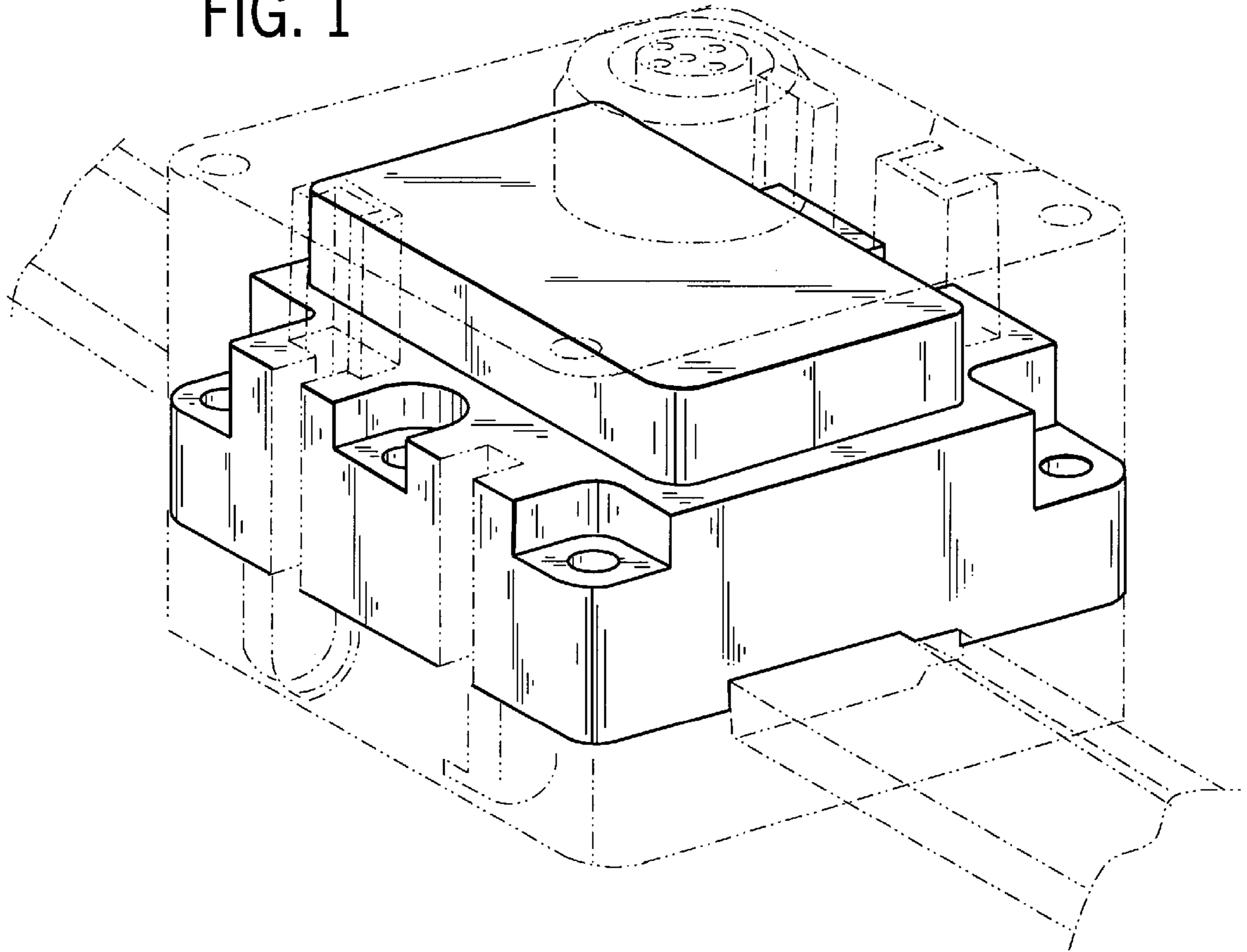


FIG. 2

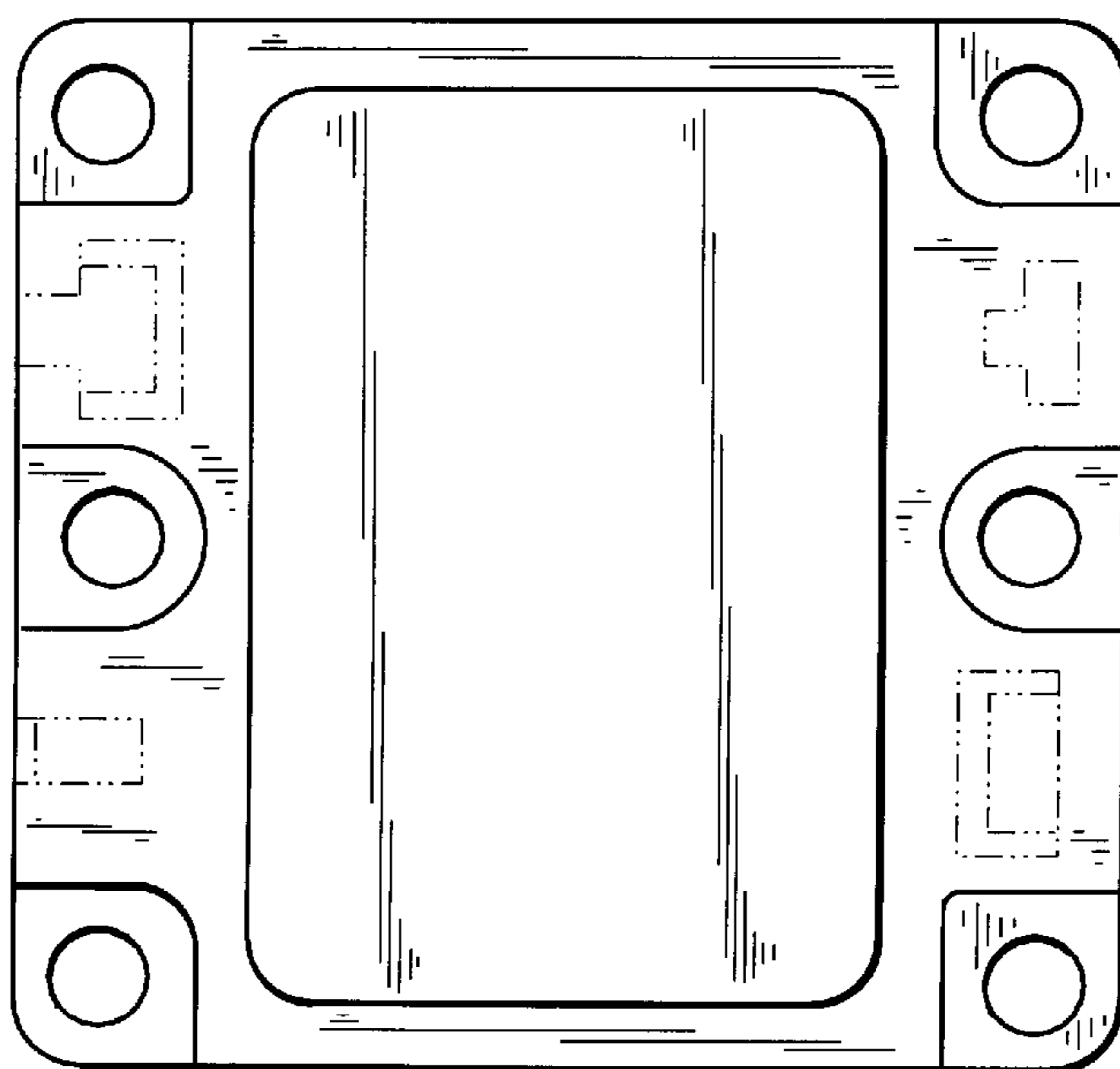


FIG. 3

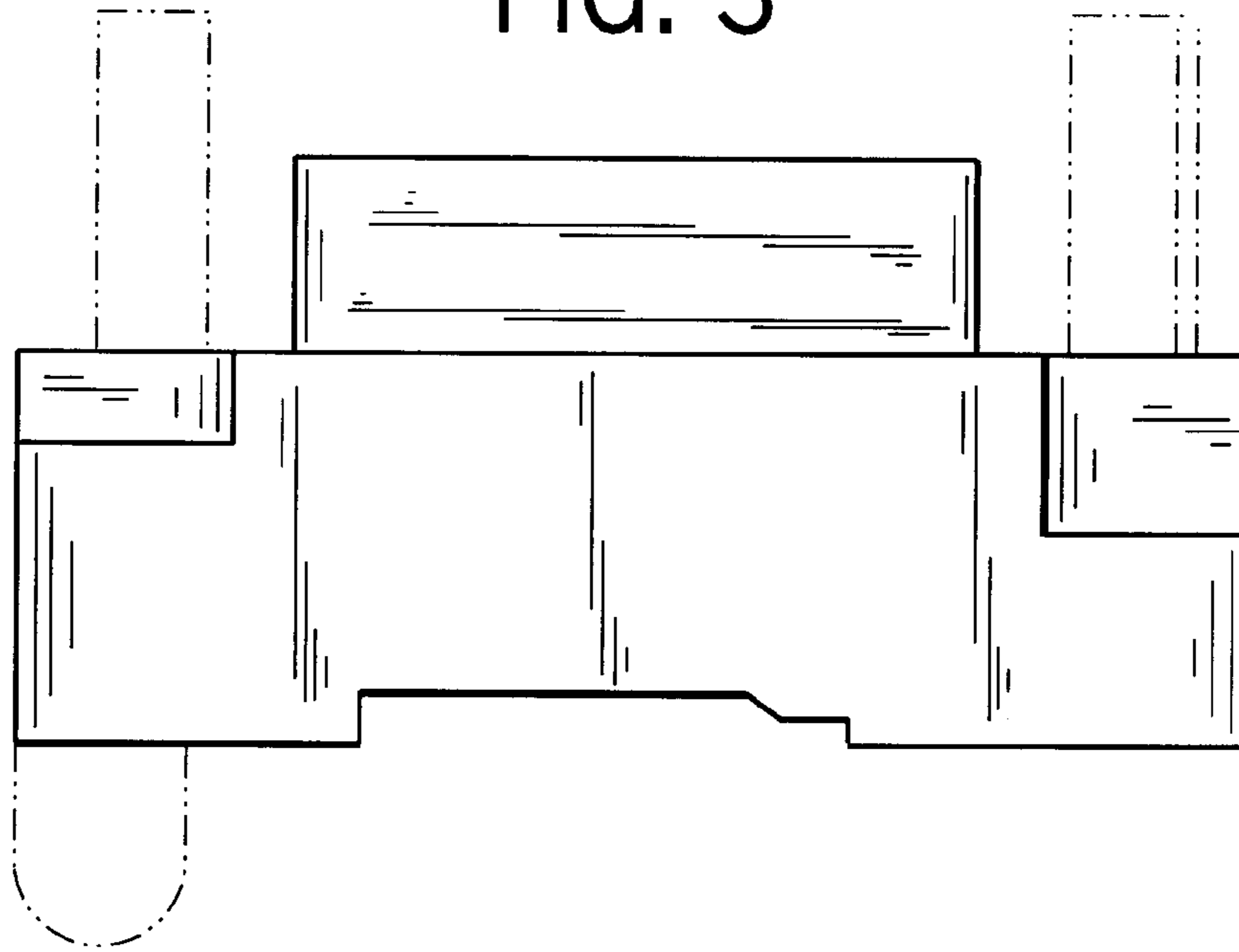


FIG. 4

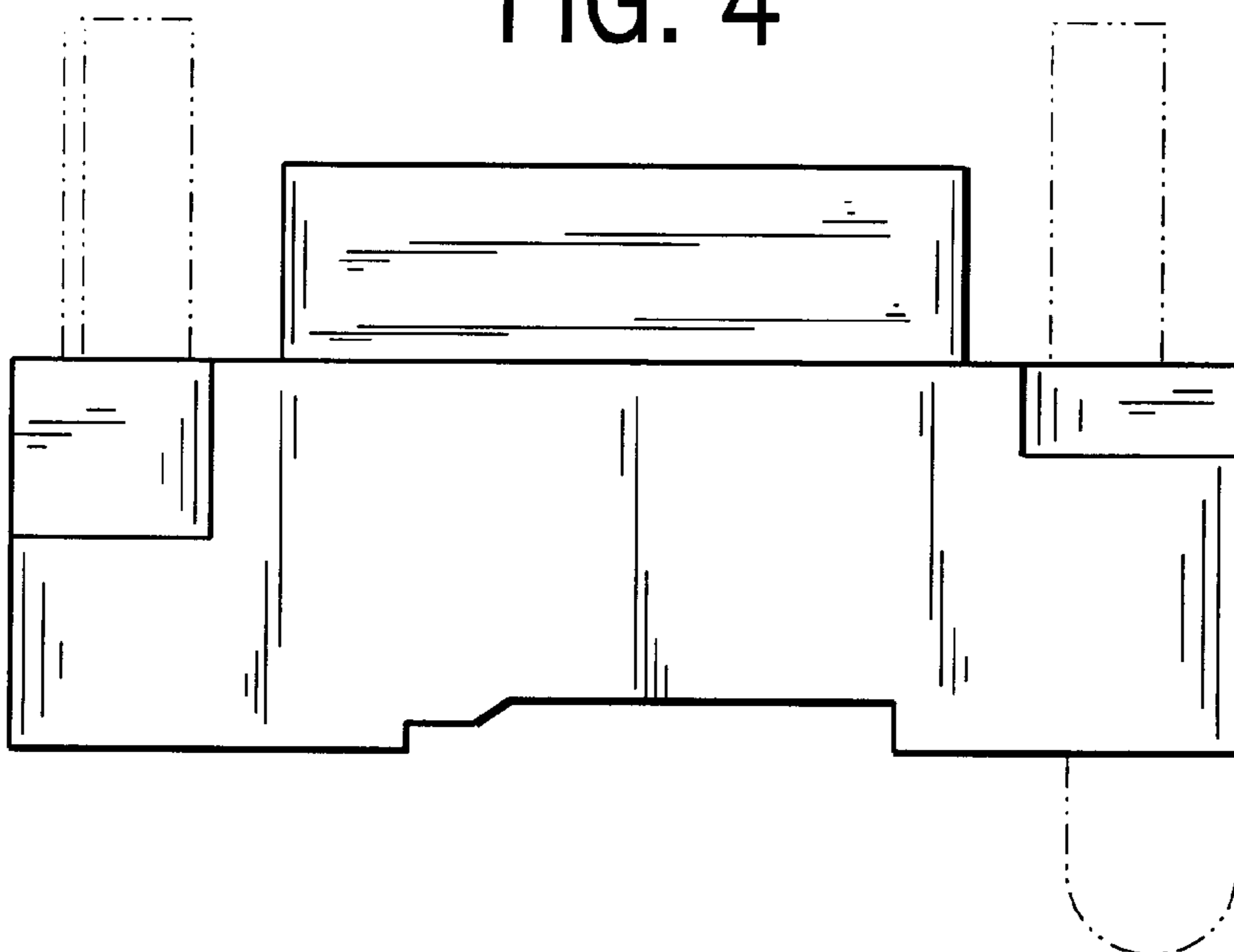


FIG. 5

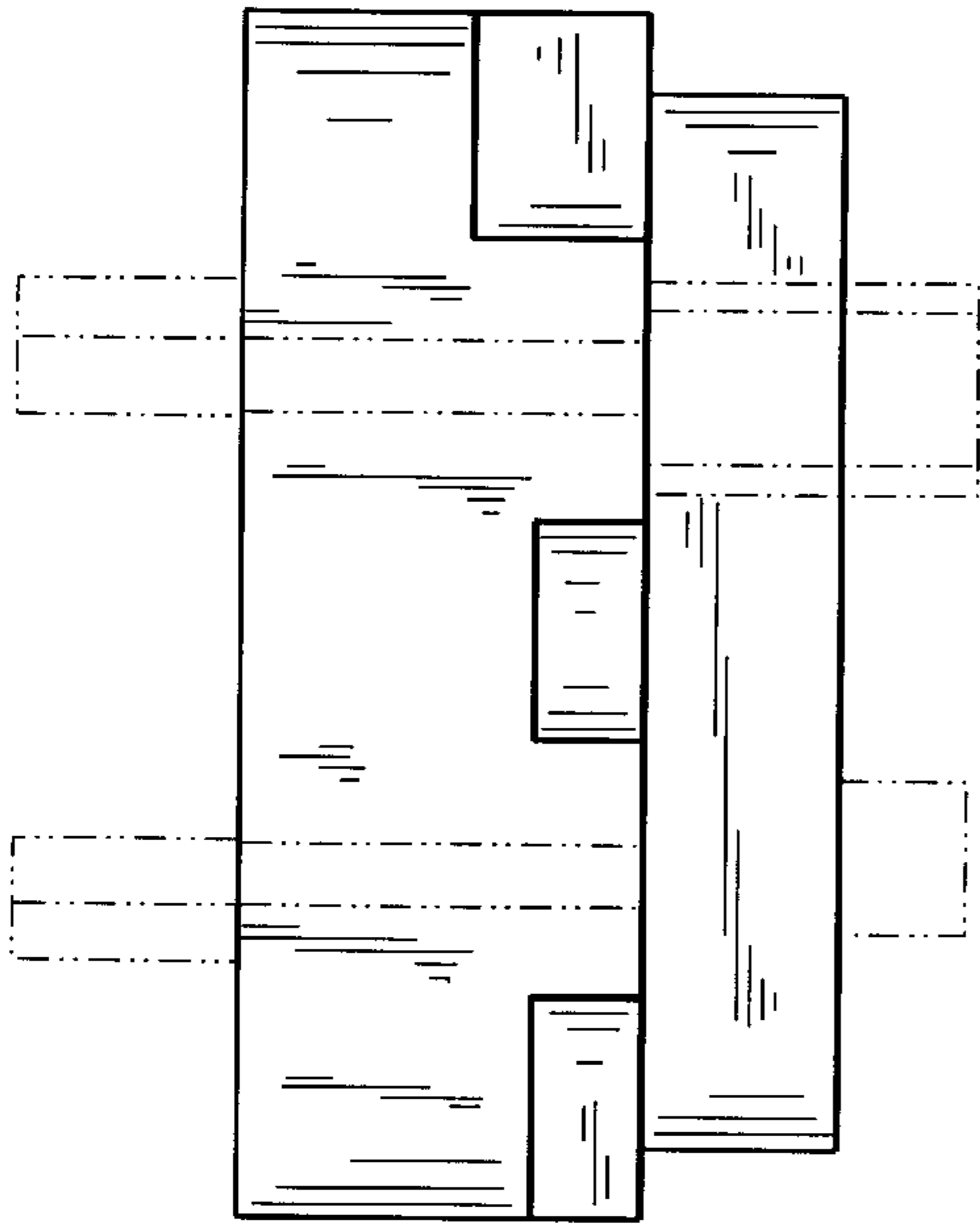


FIG. 6

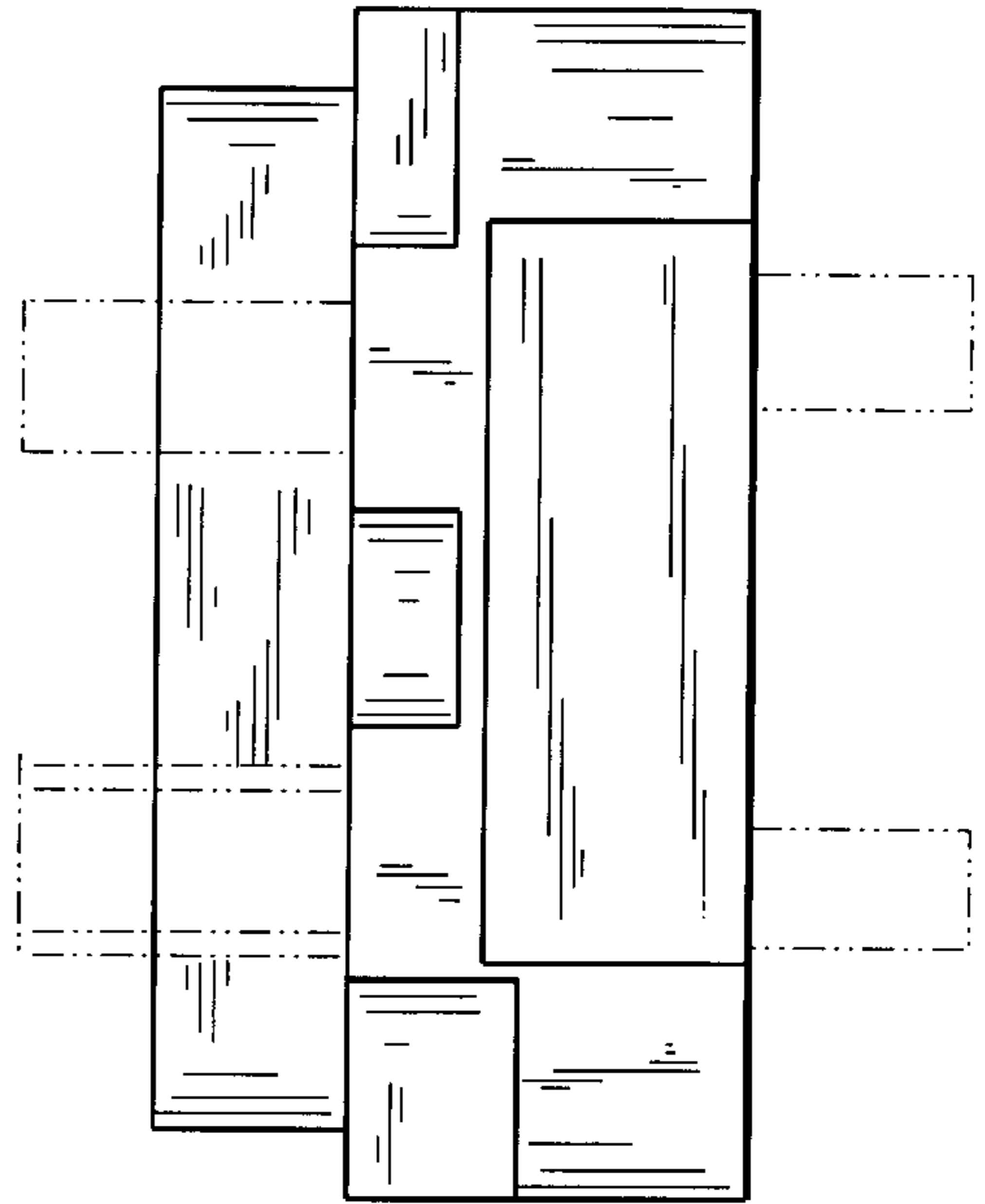


FIG. 7

