



US00D409140S

United States Patent [19]
Endo

[11] **Patent Number: Des. 409,140**

[45] **Date of Patent: ** May 4, 1999**

[54] **CONTROL UNIT FOR BATTERY**

[75] Inventor: **Syuei Endo**, Fukushima, Japan

[73] Assignee: **Sony Corporation**, Tokyo, Japan

[**] Term: **14 Years**

[21] Appl. No.: **29/052,195**

[22] Filed: **Mar. 26, 1996**

[30] **Foreign Application Priority Data**

Sep. 27, 1995 [JP] Japan 7-28793

[51] **LOC (6) Cl.** **13-02**

[52] **U.S. Cl.** **D13/119; D13/162**

[58] **Field of Search** **D13/119, 162;**
361/697, 702, 709, 710, 711, 513

[56] **References Cited**

U.S. PATENT DOCUMENTS

D. 219,980	2/1971	Mc Menamy et al.	D13/162
D. 310,510	9/1990	Bezos	D13/162 X
5,206,792	4/1993	Reynolds	361/709 X
5,323,295	6/1994	Pines	361/709

Primary Examiner—Joel Sincavage

Attorney, Agent, or Firm—Foley & Lardner

[57] **CLAIM**

The ornamental design for a control unit for a battery, as shown and described.

DESCRIPTION

FIG. 1 is a perspective view of a control unit for a battery showing my new design;

FIG. 2 is a top plan view thereof;

FIG. 3 is a left side elevational view thereof;

FIG. 4 is a front elevational view thereof;

FIG. 5 is a bottom plan view thereof;

FIG. 6 is a right side elevational view thereof;

FIG. 7 is a rear elevational view thereof;

FIG. 8 is a perspective view of another embodiment of a control unit for a battery showing my new design;

FIG. 9 is a top side elevational view of the embodiment of FIG. 8;

FIG. 10 is a left side elevational view of the embodiment of FIG. 8;

FIG. 11 is a front elevational view of the embodiment of FIG. 8;

FIG. 12 is a bottom plan view of the embodiment of FIG. 8;

FIG. 13 is a right side elevational view of the embodiment of FIG. 8;

FIG. 14 is a rear elevational view of the embodiment of FIG. 8; and,

FIG. 15 is a perspective view of the embodiment of FIG. 1 in use.

The portion shown in broken lines in FIG. 15 is for an illustrative purpose only and forms no part of the claimed design.

1 Claim, 7 Drawing Sheets

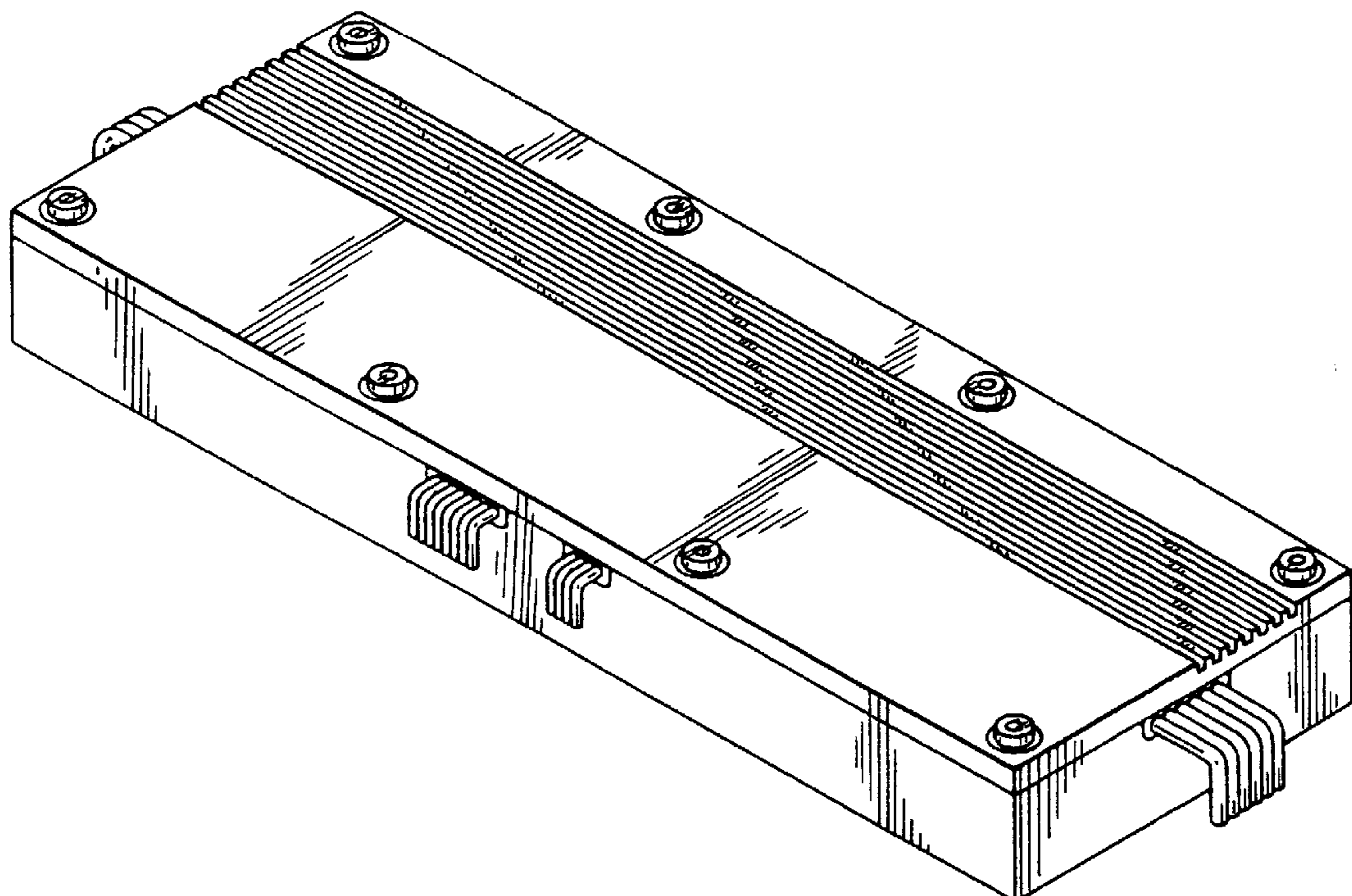


FIG. 1

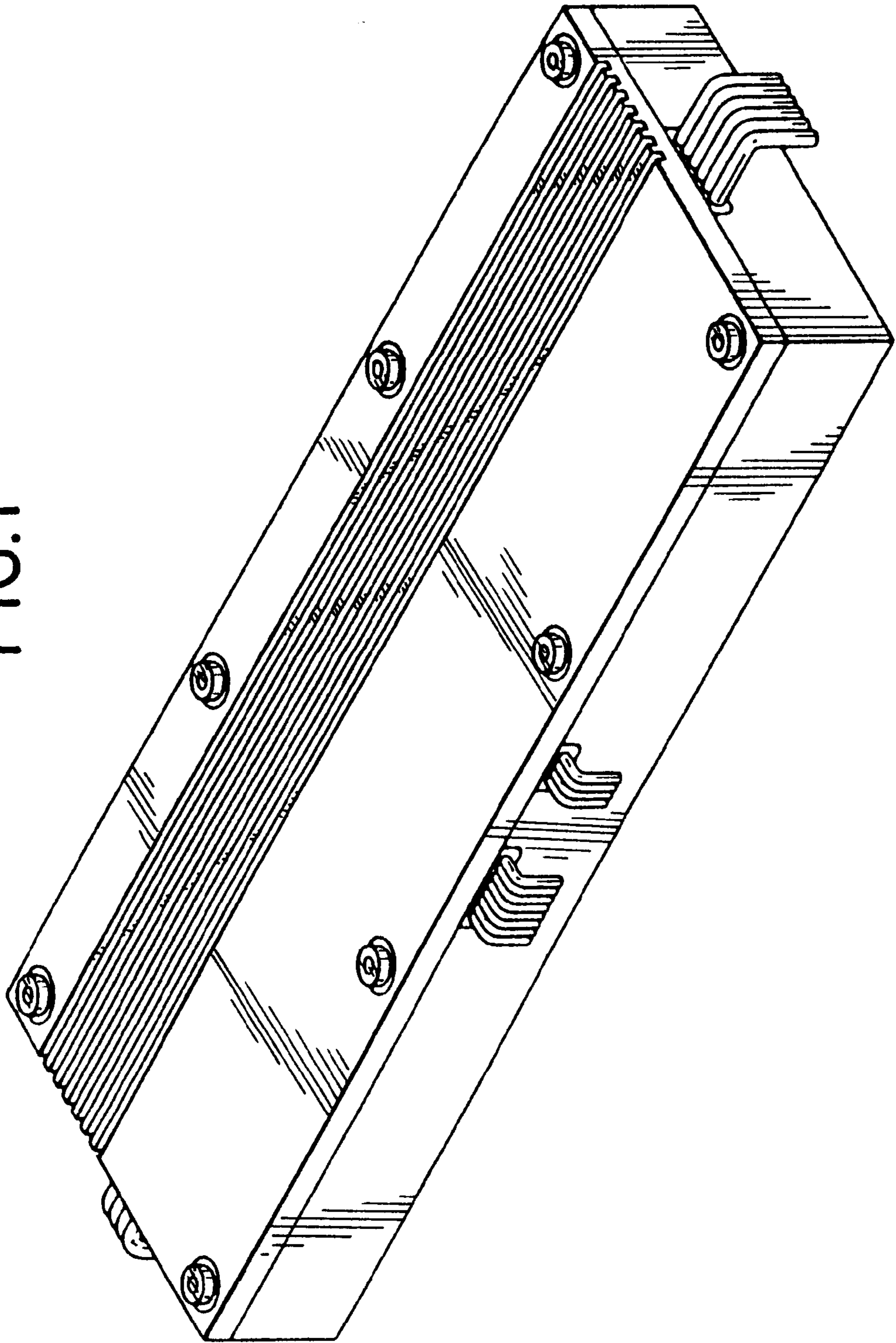


FIG. 2

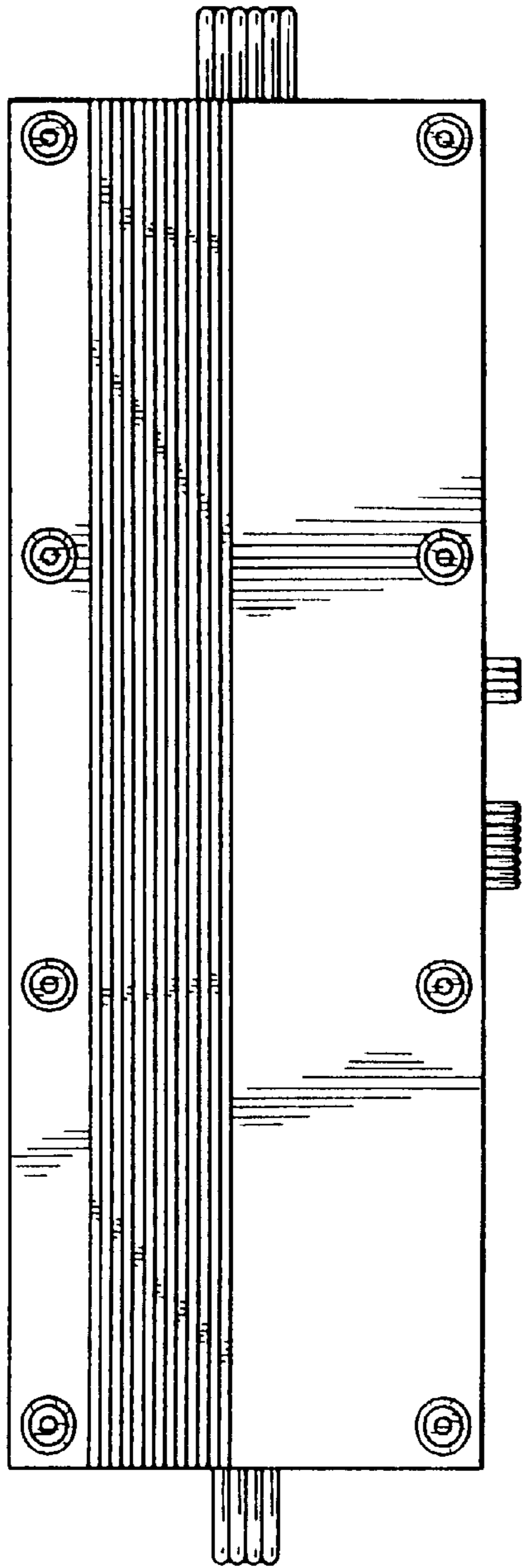


FIG. 4

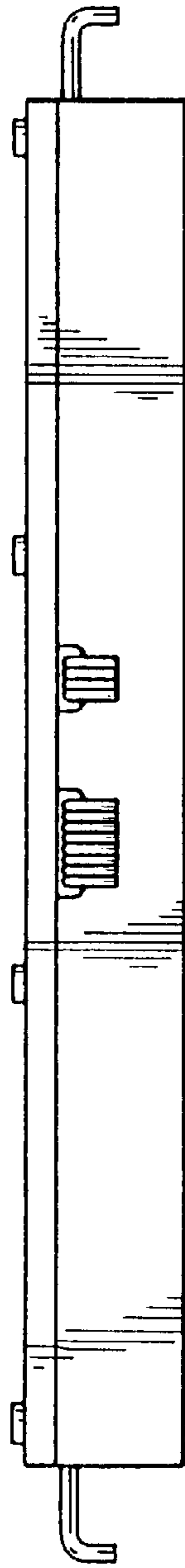


FIG. 3

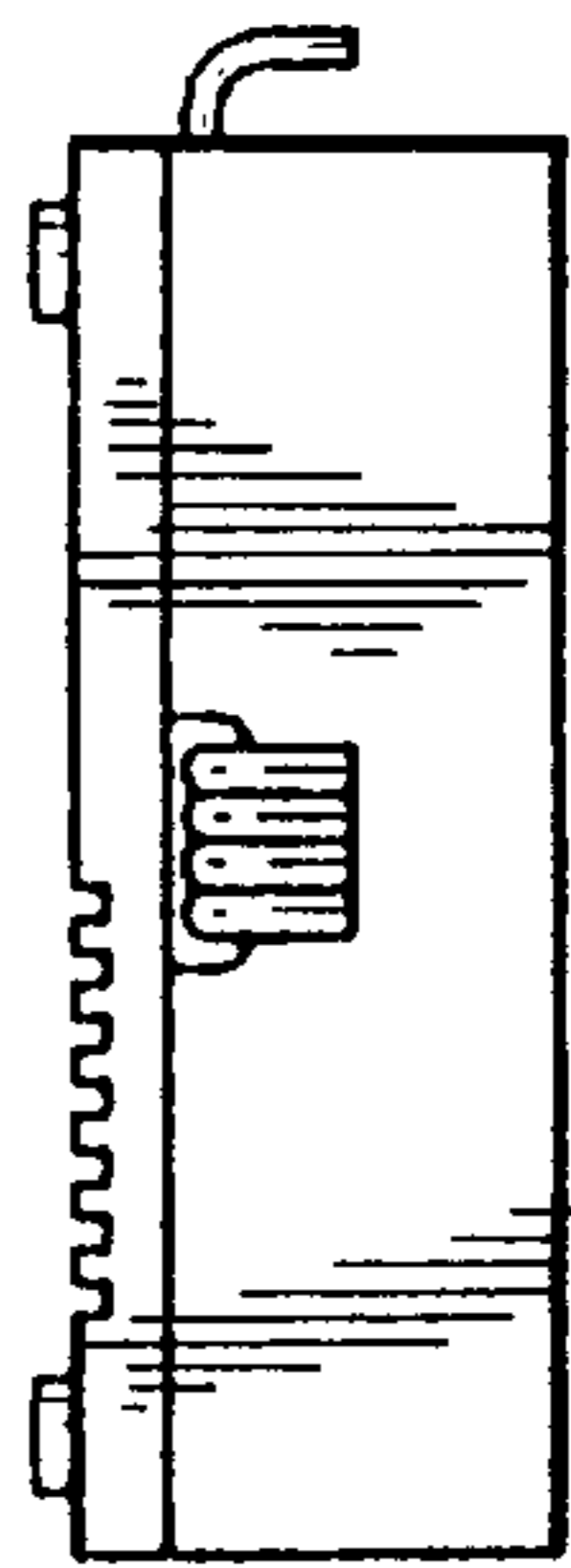


FIG. 5

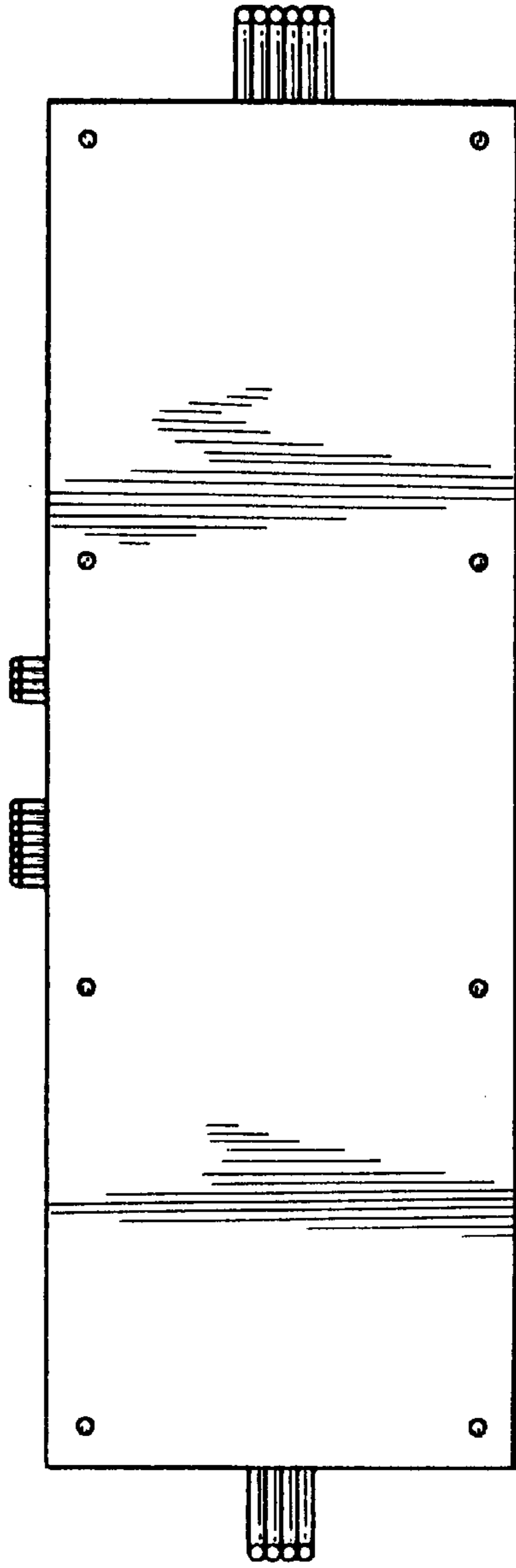


FIG. 7



FIG. 6

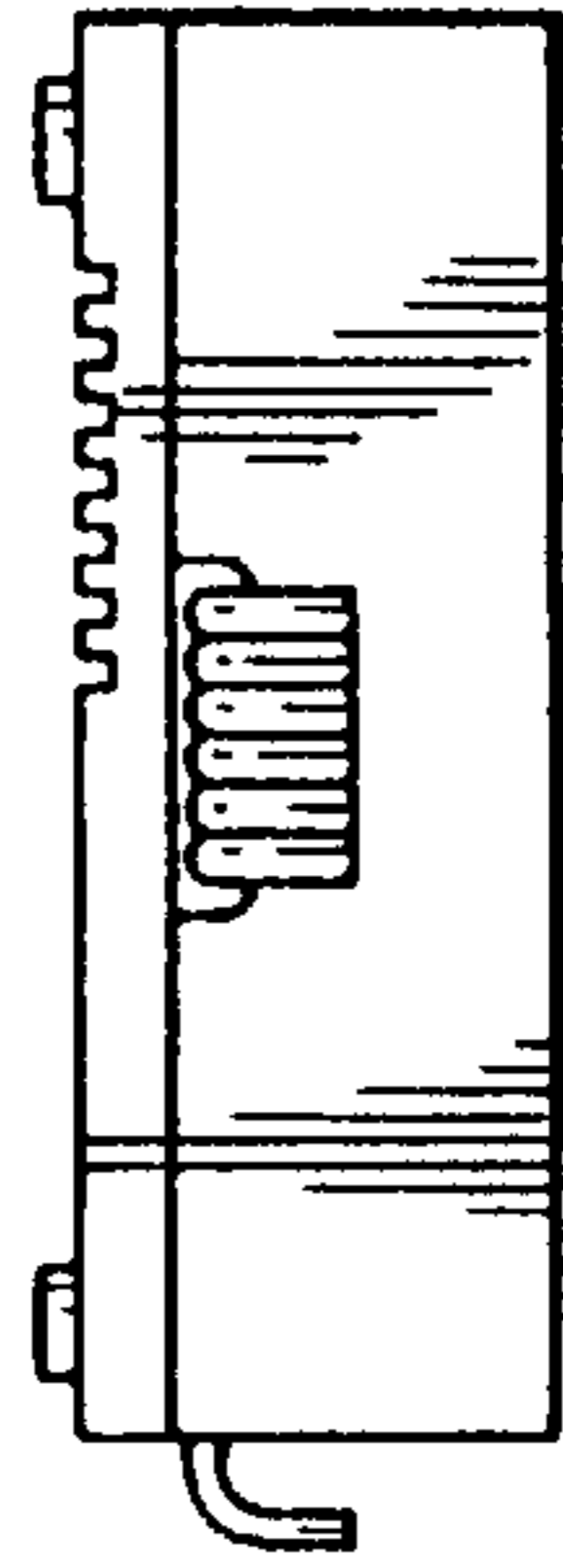


FIG. 8

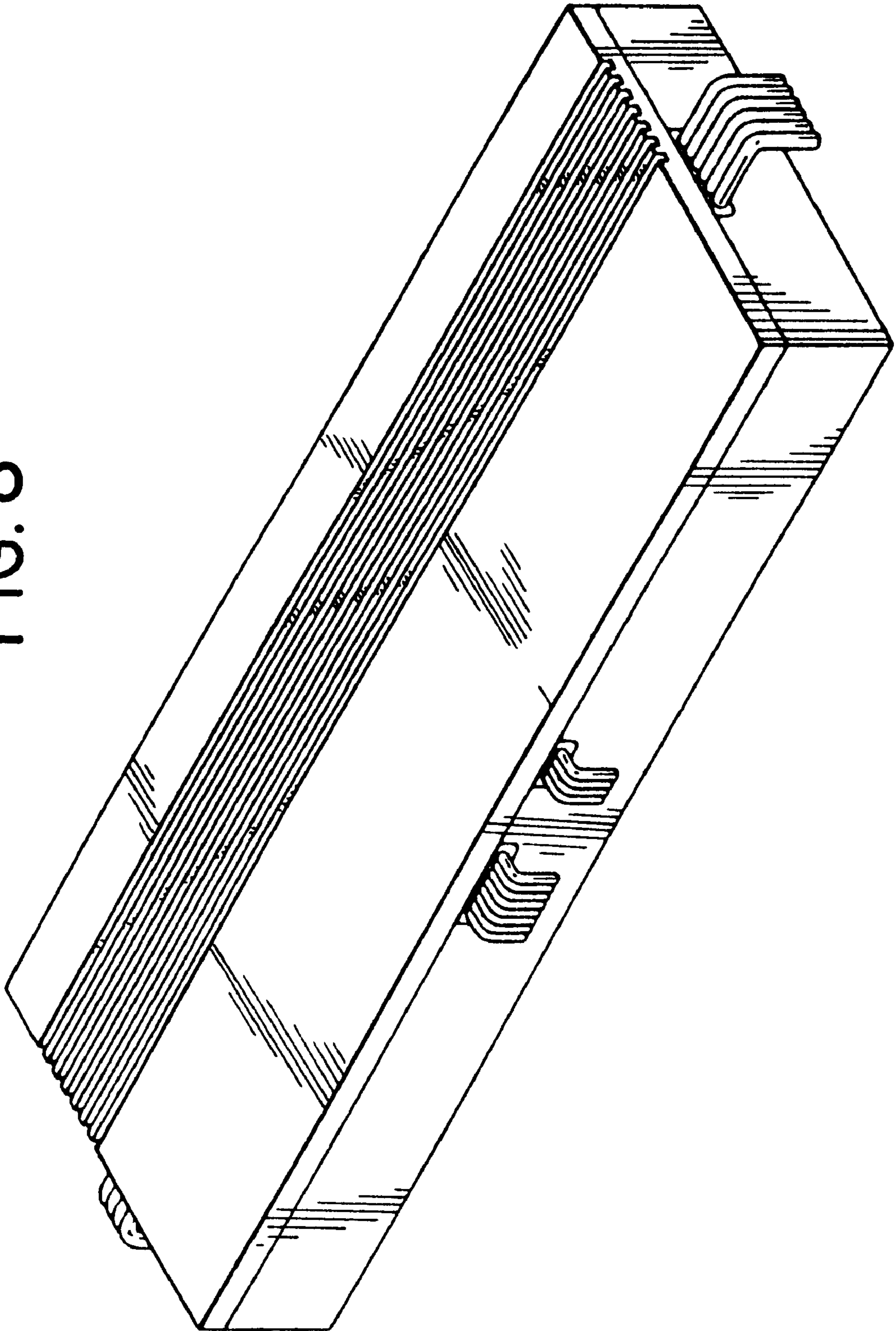


FIG. 9

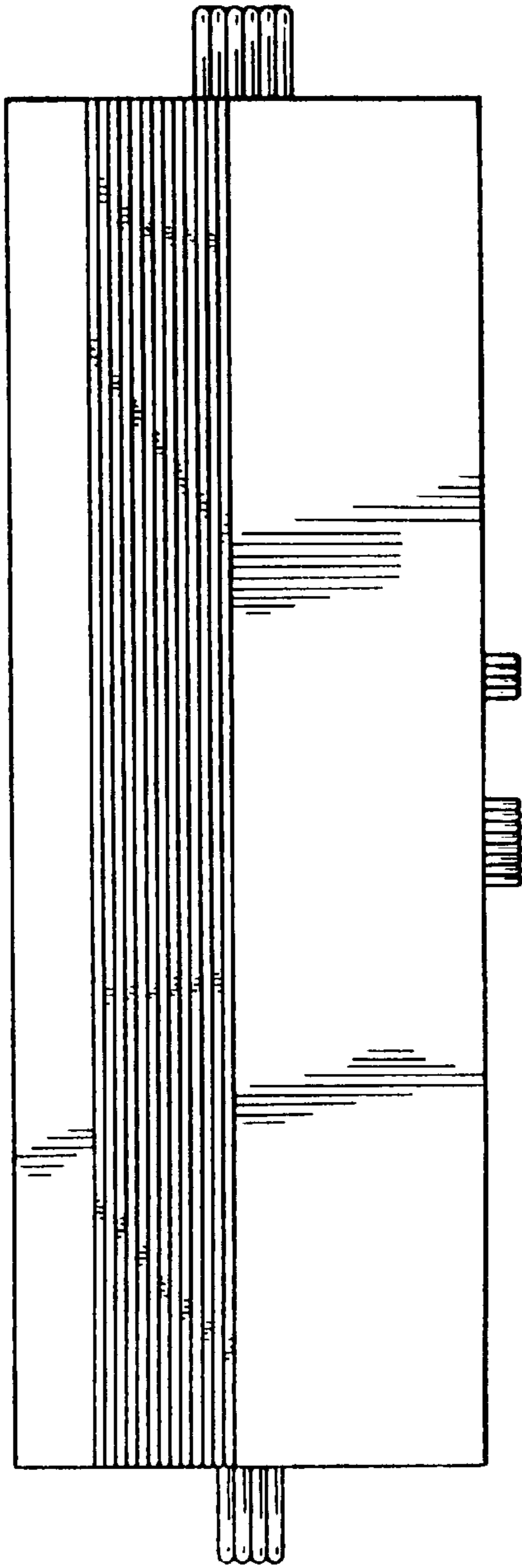


FIG. 11

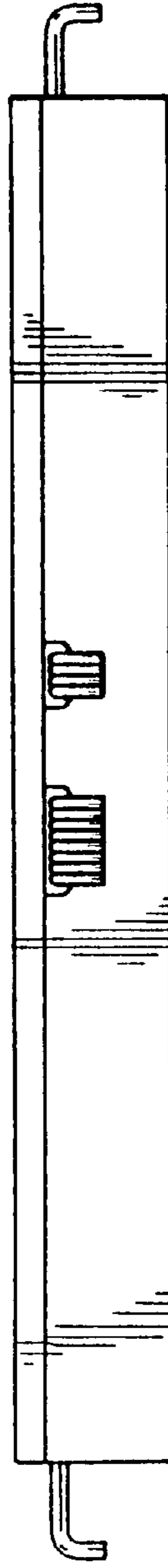


FIG. 10

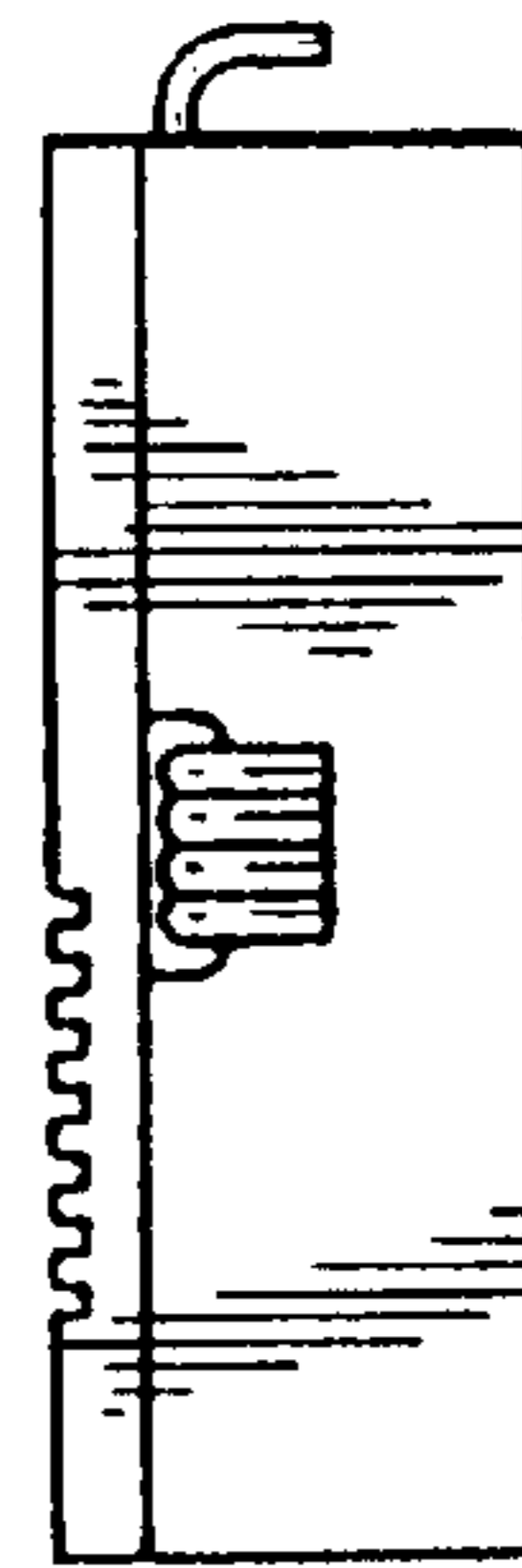


FIG. 12

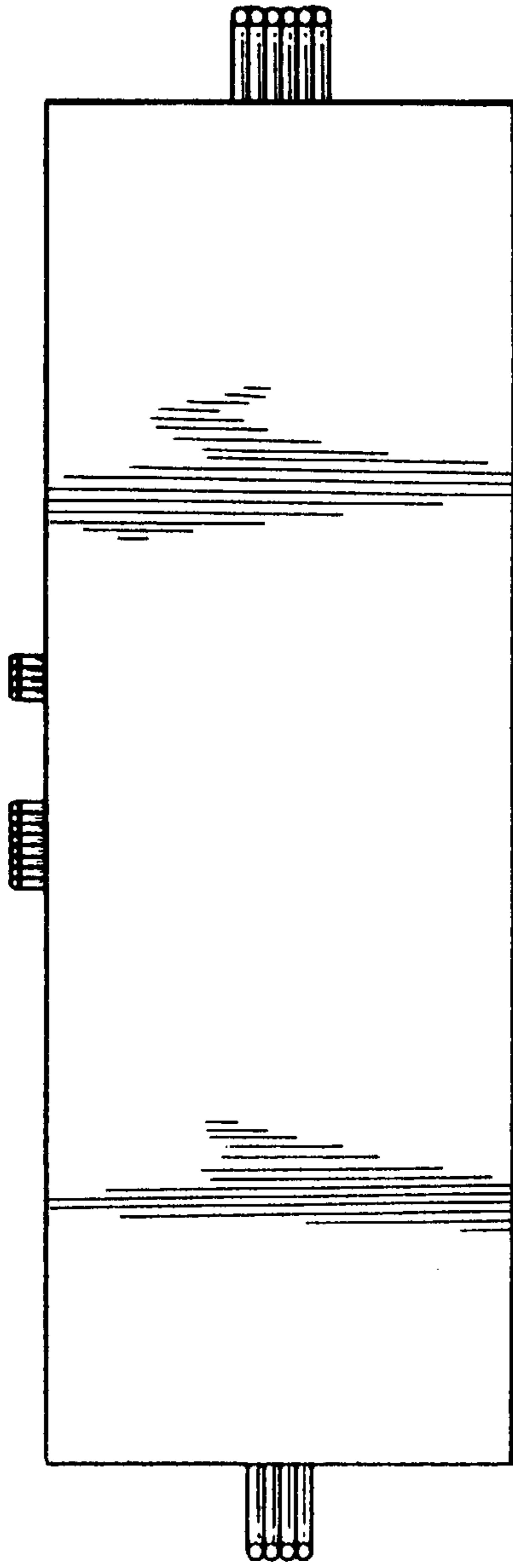


FIG. 14

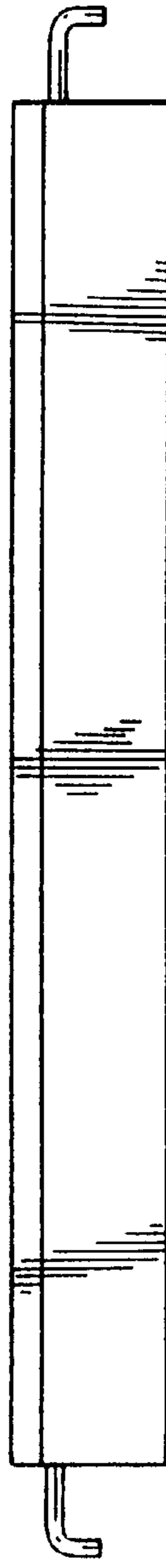


FIG. 13

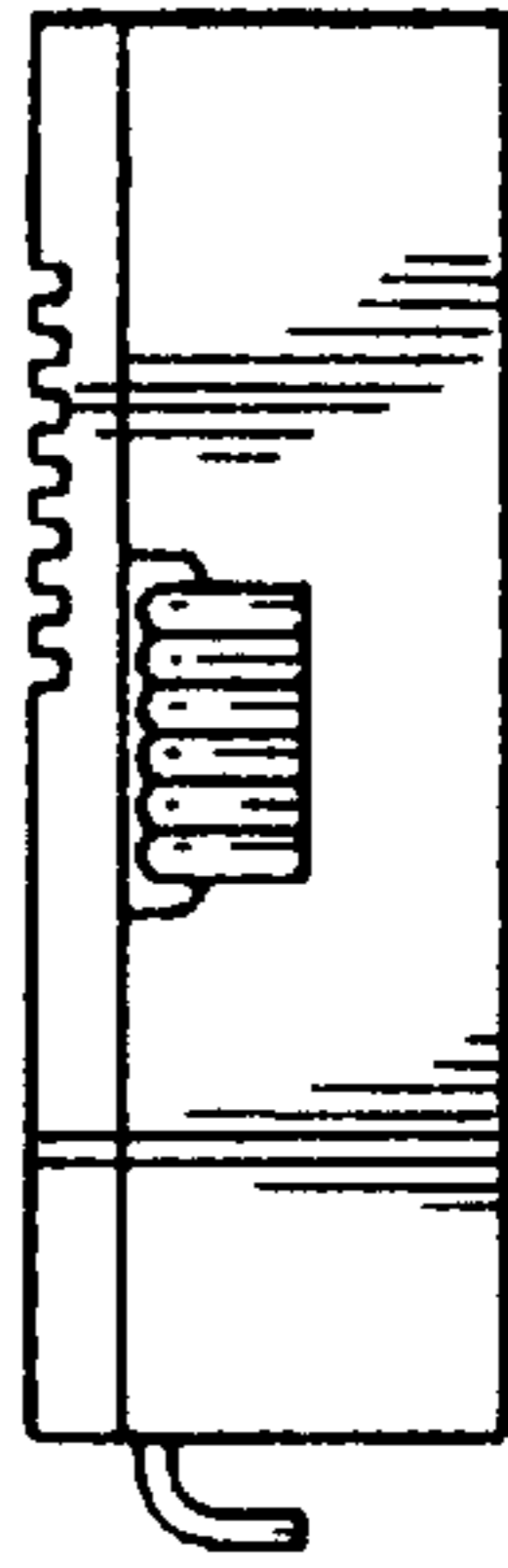


FIG. 15

