



US00D409138S

United States Patent [19]
Gammenthaler

[11] **Patent Number: Des. 409,138**

[45] **Date of Patent: ** May 4, 1999**

[54] **AC-DC CONVERTER**

[75] **Inventor: Peter Gammenthaler**, Huebacherweg,
Switzerland

[73] **Assignee: Melcher AG**, Switzerland

[**] **Term: 14 Years**

[21] **Appl. No.: 29/083,584**

[22] **Filed: Feb. 12, 1998**

[51] **LOC (6) Cl. 13-02**

[52] **U.S. Cl. D13/110**

[58] **Field of Search D13/110, 162;**
363/15, 132, 141

5,144,155 9/1992 Maenishi et al. 307/254
5,598,328 1/1997 Dore 363/141
5,687,066 11/1997 Cook, II 363/15 X

Primary Examiner—Joel Sincavage

[57] **CLAIM**

The ornamental design for AC-DC converter, as shown and described.

DESCRIPTION

FIG. 1 is a perspective view of the AC-DC converter of the present invention;
FIG. 2 is a bottom rear perspective view thereof;
FIG. 3 is a top plan view thereof;
FIG. 4 is a front elevation view thereof;
FIG. 5 is a right side elevation view thereof, the left side being a mirror image of this view;
FIG. 6 is a rear elevation view thereof; and,
FIG. 7 is a bottom view thereof.

[56] **References Cited**

U.S. PATENT DOCUMENTS

D. 345,137 3/1994 Thomas D13/110
D. 383,436 9/1997 Cucci et al. D13/110

1 Claim, 7 Drawing Sheets

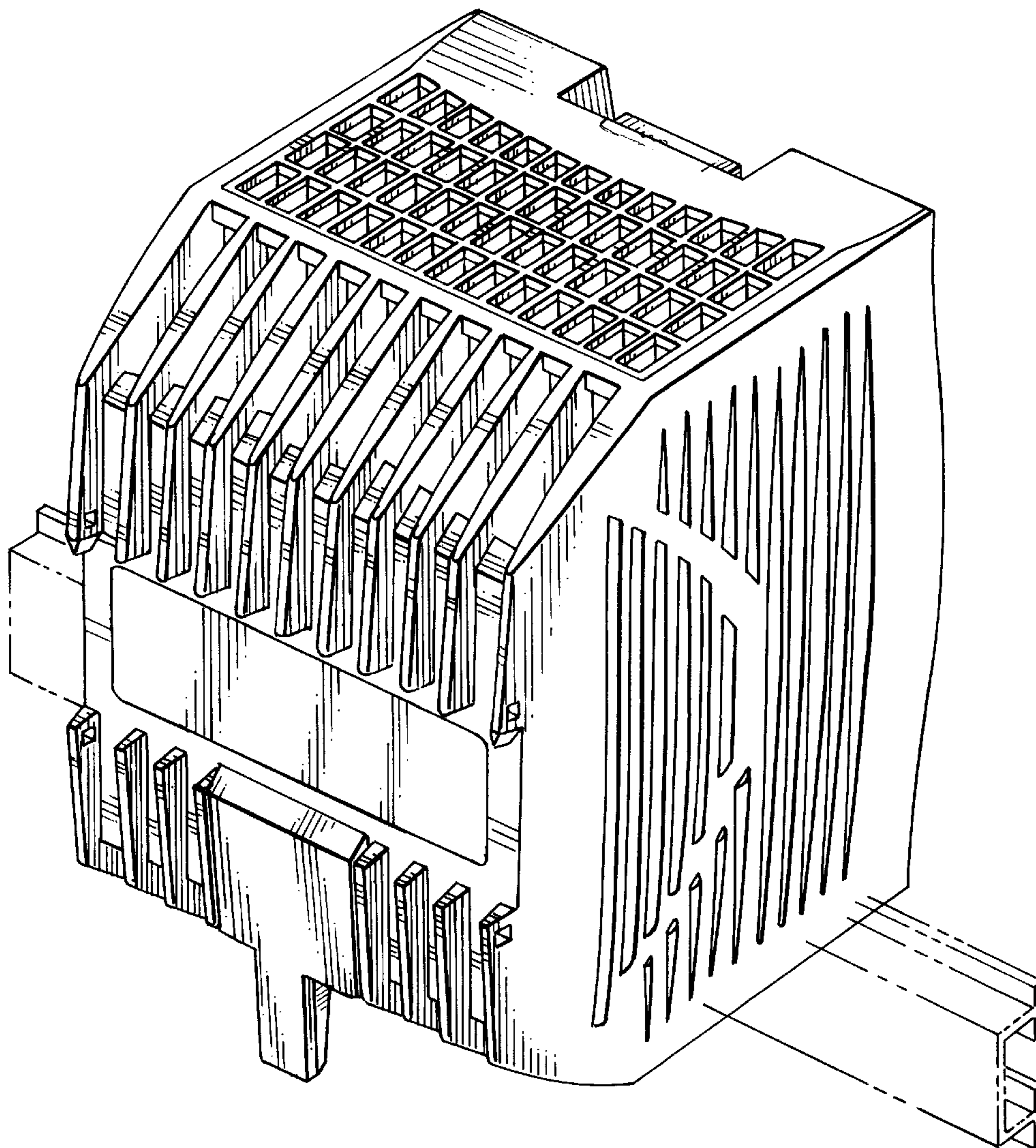


FIG. 1

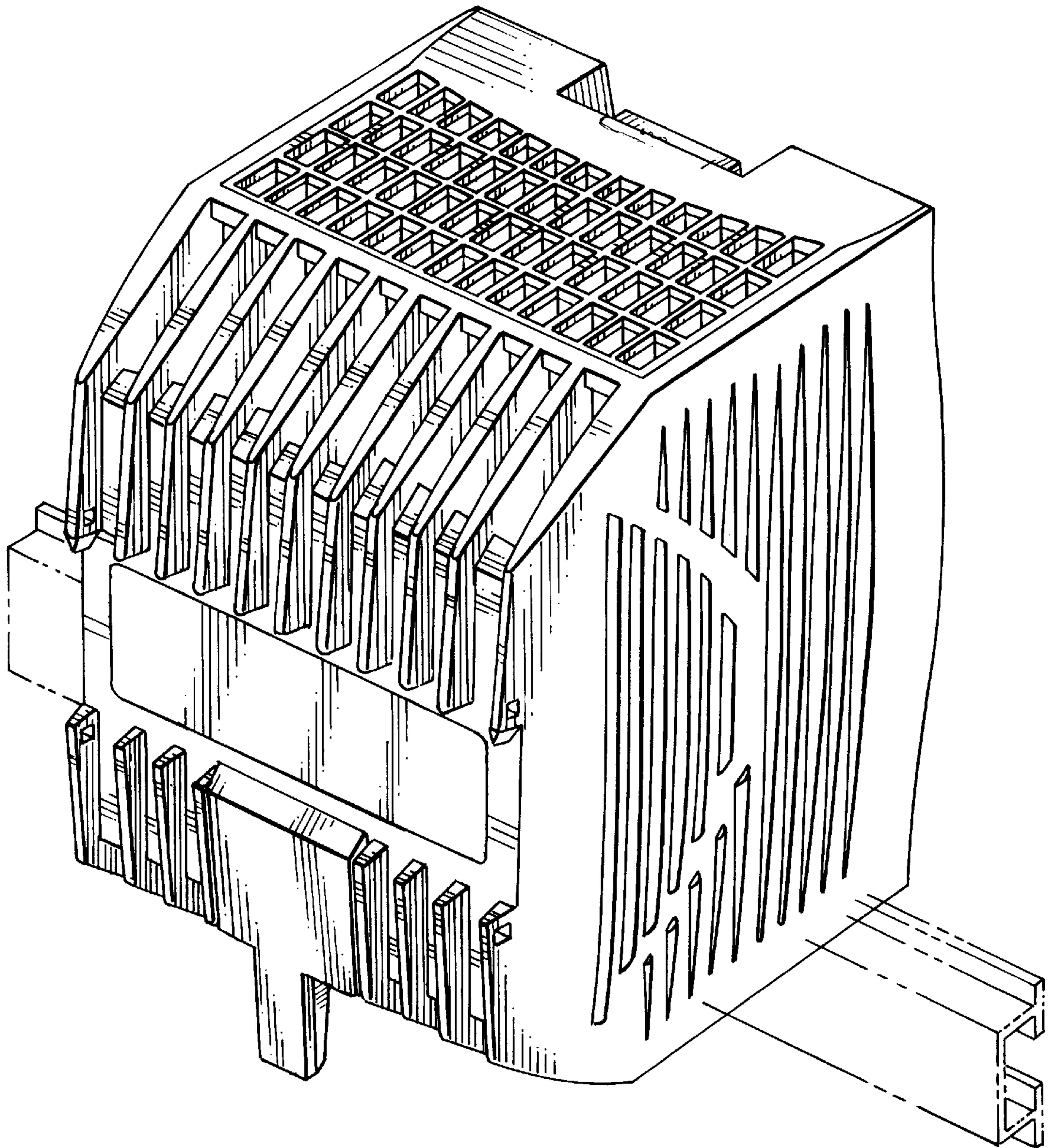


FIG. 2

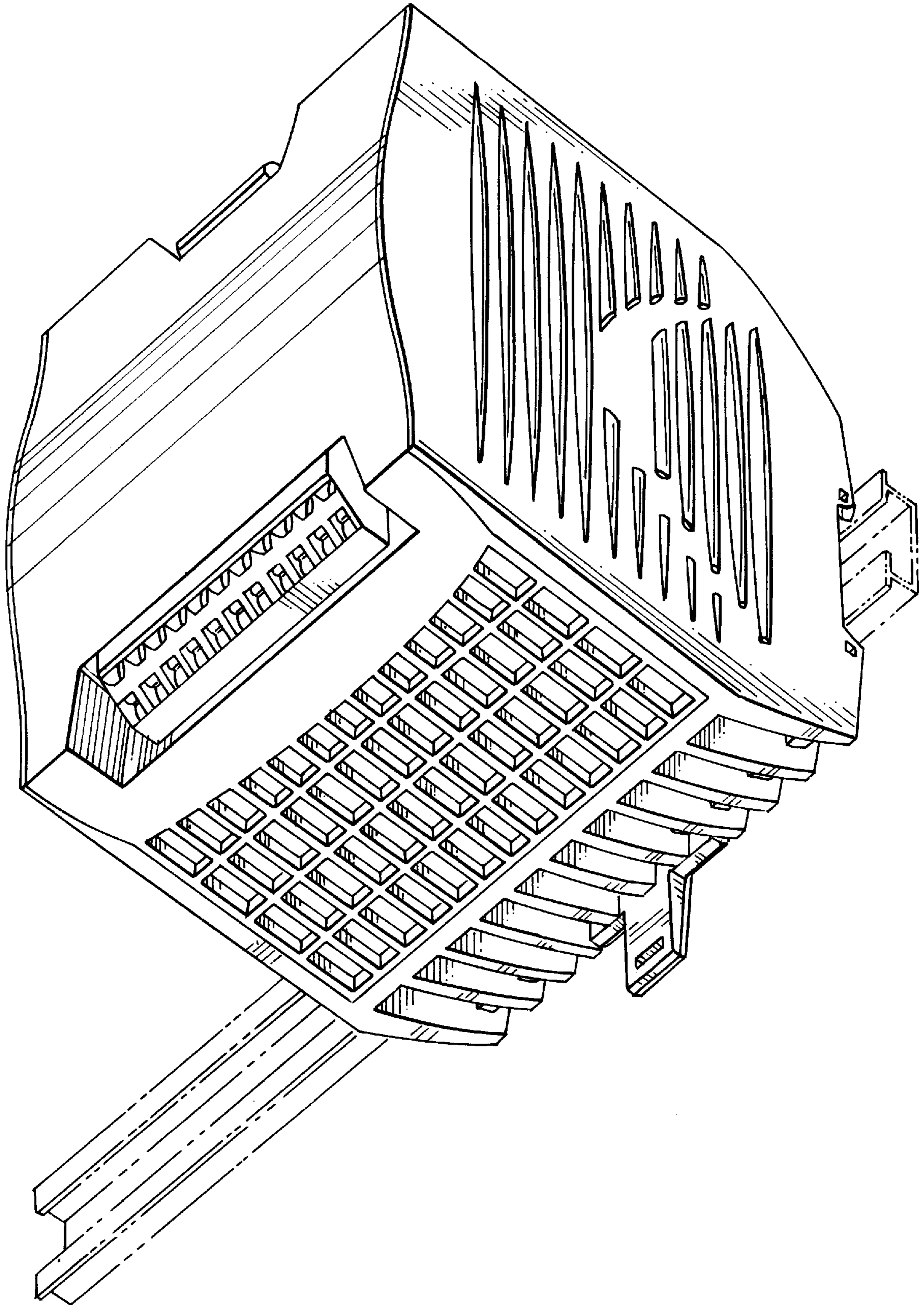


FIG. 3

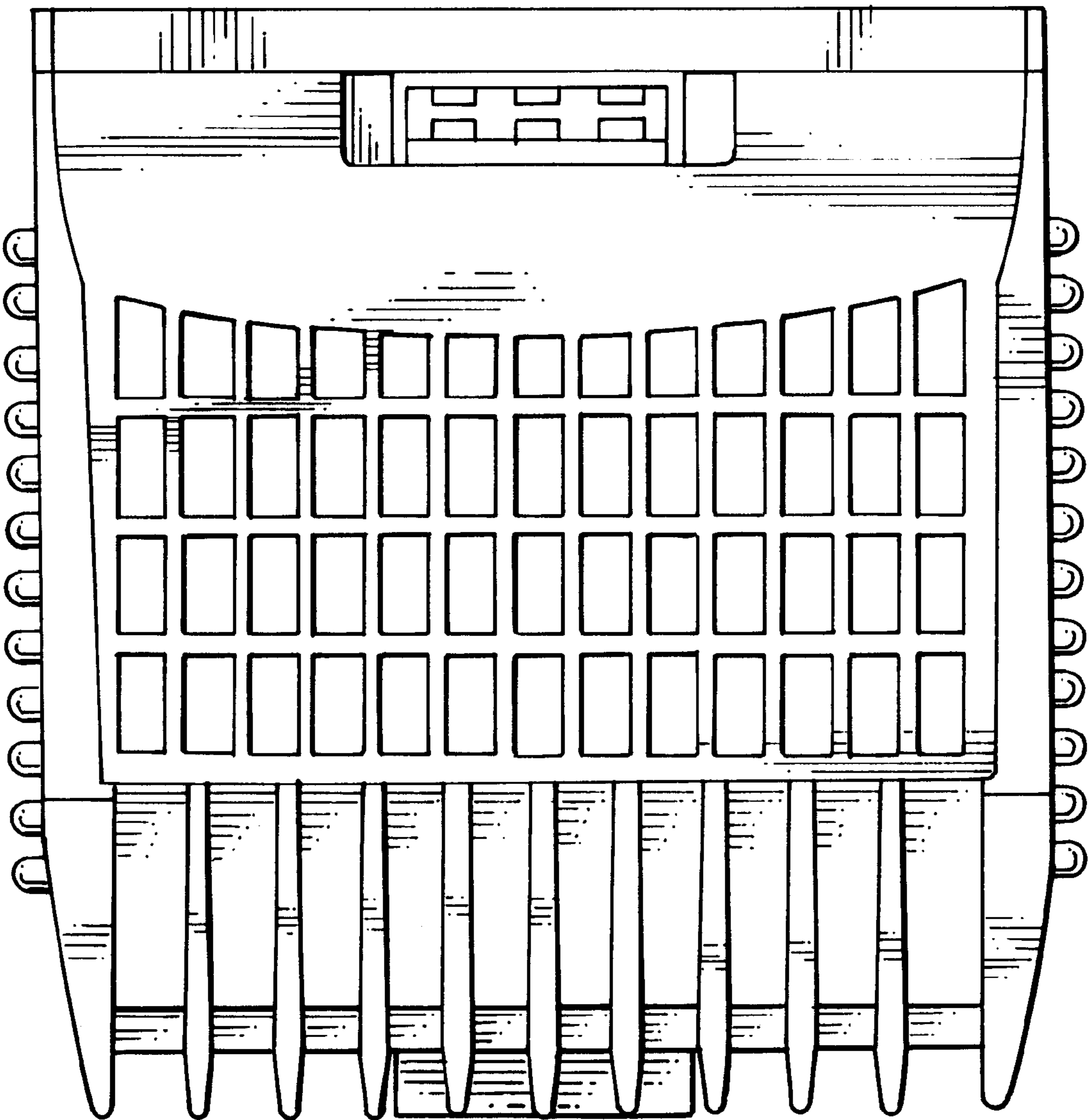


FIG. 4

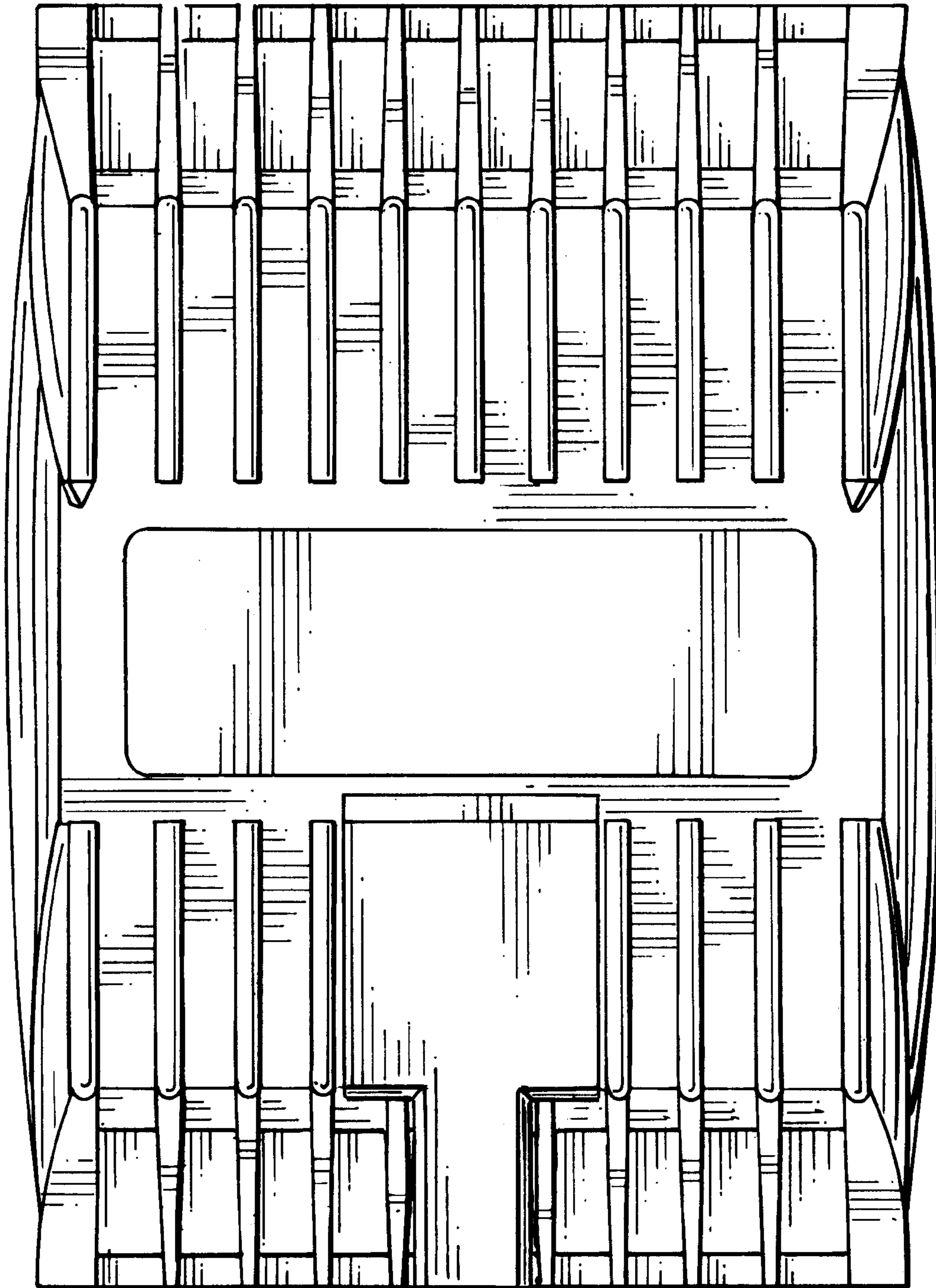


FIG. 5

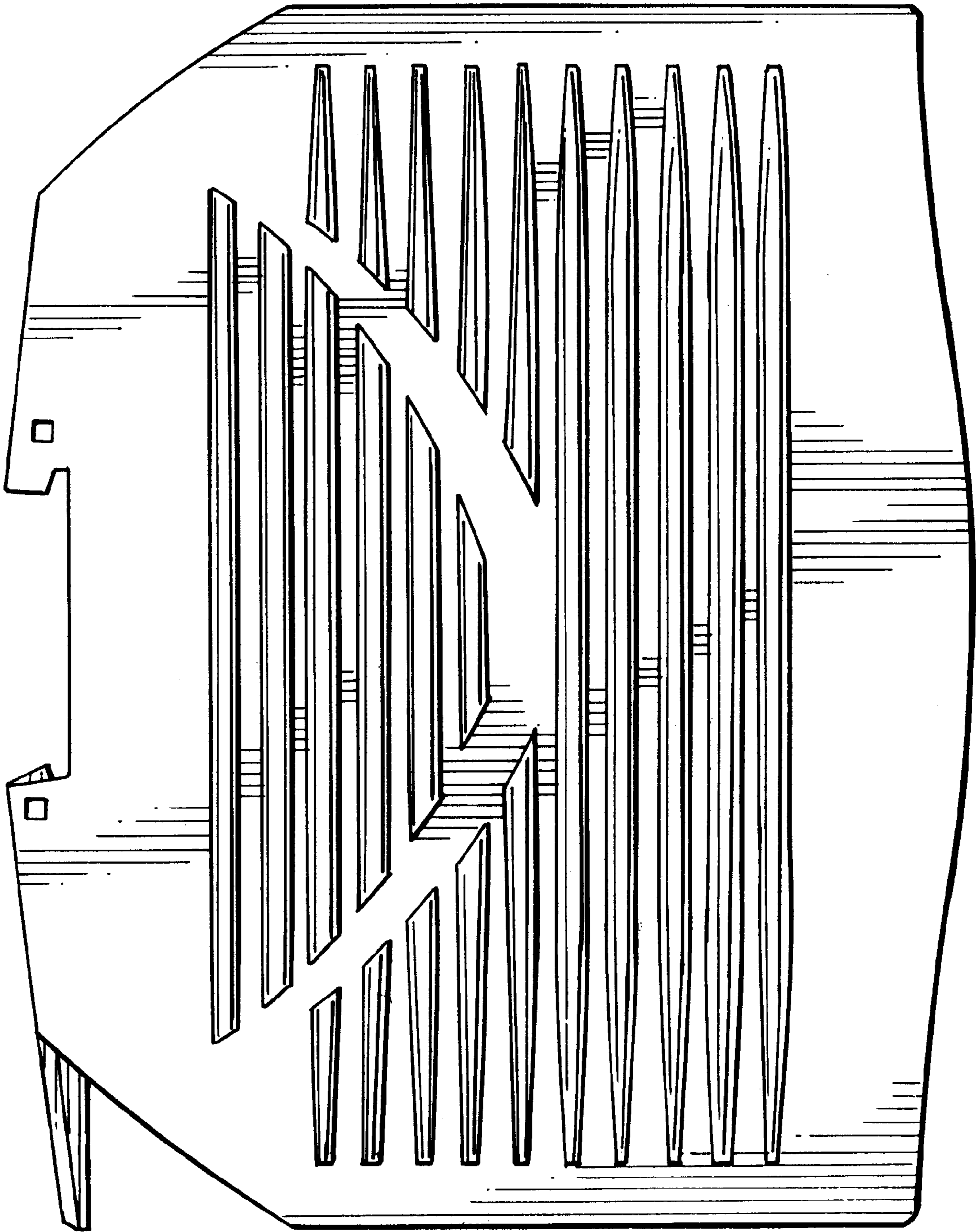


FIG. 6

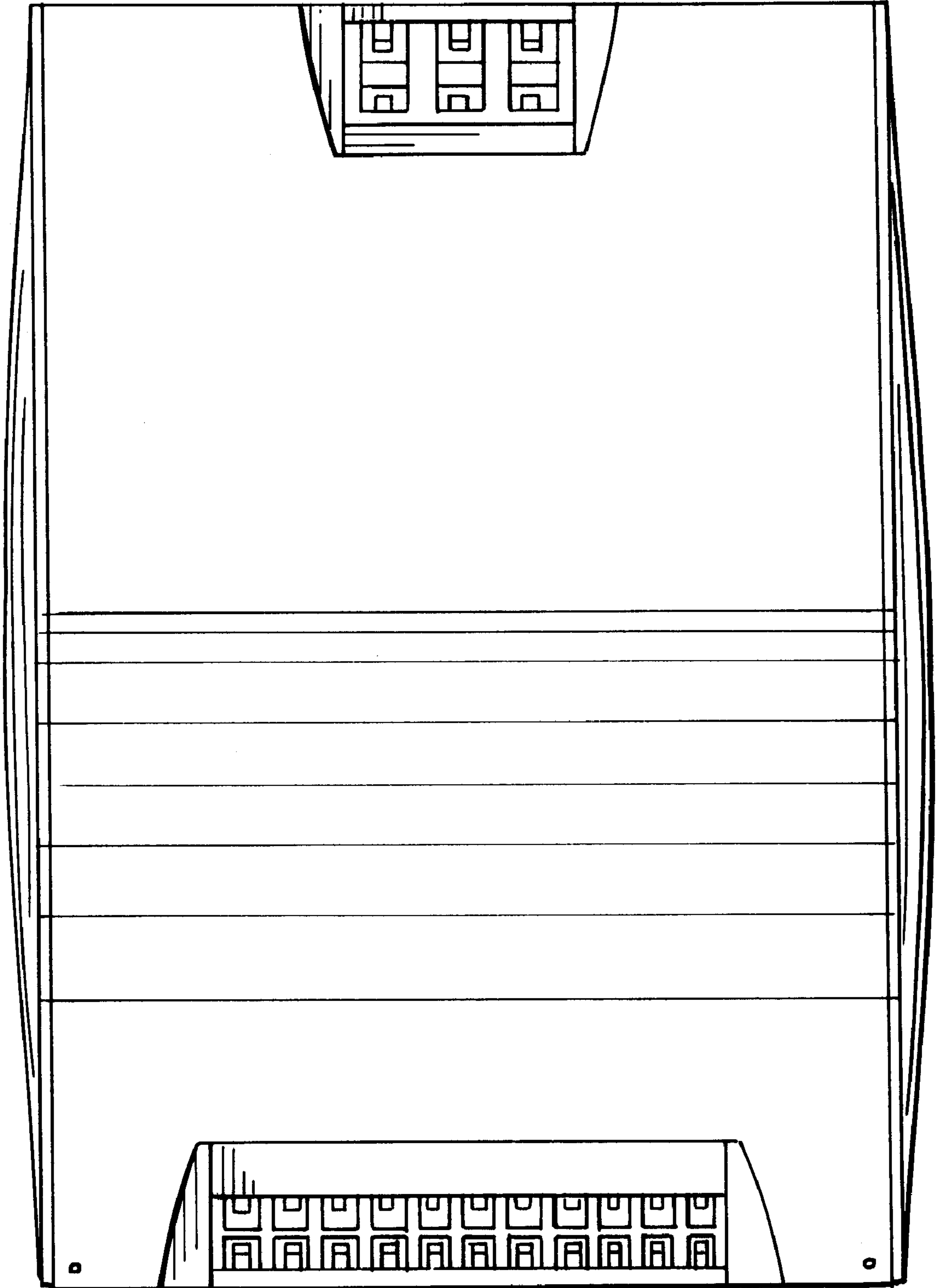


FIG. 7

