



US00D409137S

United States Patent [19]

Sumita et al.

[11] Patent Number: Des. 409,137

[45] Date of Patent: ** May 4, 1999

[54] RECHARGEABLE BATTERY

[75] Inventors: **Kaoru Sumita; Hidero Mitsui**, both of Tokyo, Japan

[73] Assignee: **Sony Corporation**, Tokyo, Japan

[**] Term: **14 Years**

[21] Appl. No.: **29/068,308**

[22] Filed: **Mar. 28, 1997**

[51] LOC (6) Cl. **13-02**

[52] U.S. Cl. **D13/103**

[58] Field of Search D13/103, 118, D13/119; 429/96-100, 163, 176

[56] **References Cited**

U.S. PATENT DOCUMENTS

5,212,021 5/1993 Smith et al. 429/99 X
5,259,786 11/1993 Huang 429/98 X

FOREIGN PATENT DOCUMENTS

851202 4/1992 Japan .

OTHER PUBLICATIONS

DCR-PC7, Denpa Shinbun, Aug. 2, 1996.

A picture of DCR-PC7 showing a rechargeable battery attached.

SOWAH batteries on p. 481 of Hong Kong Enterprise, Jun. 1995.

Batteries on p. 569 fo Hong Kong Enterprise, Jun. 1994.

Primary Examiner—Joel Sincavage
Attorney, Agent, or Firm—Foley & Lardner

[57] **CLAIM**

The ornamental design for a rechargeable battery, as shown and descibed.

DESCRIPTION

FIG. 1 is a perspective view of a first embodiment of a rechargeable battery showing our new design; FIG. 2 is a top plan view thereof; FIG. 3 is a left side elevational view thereof; FIG. 4 is a front elevational view thereof; FIG. 5 is a bottom plan view thereof; FIG. 6 is a right side elevational view thereof; FIG. 7 is a rear elevational view thereof; FIG. 8 is a perspective view of a second embodiment of a rechargeable battery showing our new design; FIG. 9 is a top plan view of the embodiment of FIG. 8; FIG. 10 is a left side elevational view of the embodiment of FIG. 8; FIG. 11 is a front elevational view of the embodiment of FIG. 8; FIG. 12 is a bottom plan view of the embodiment of FIG. 8; FIG. 13 is a right side elevational view of the embodiment of FIG. 8; and, FIG. 14 is a rear elevational view of the embodiment of FIG. 8.

1 Claim, 6 Drawing Sheets

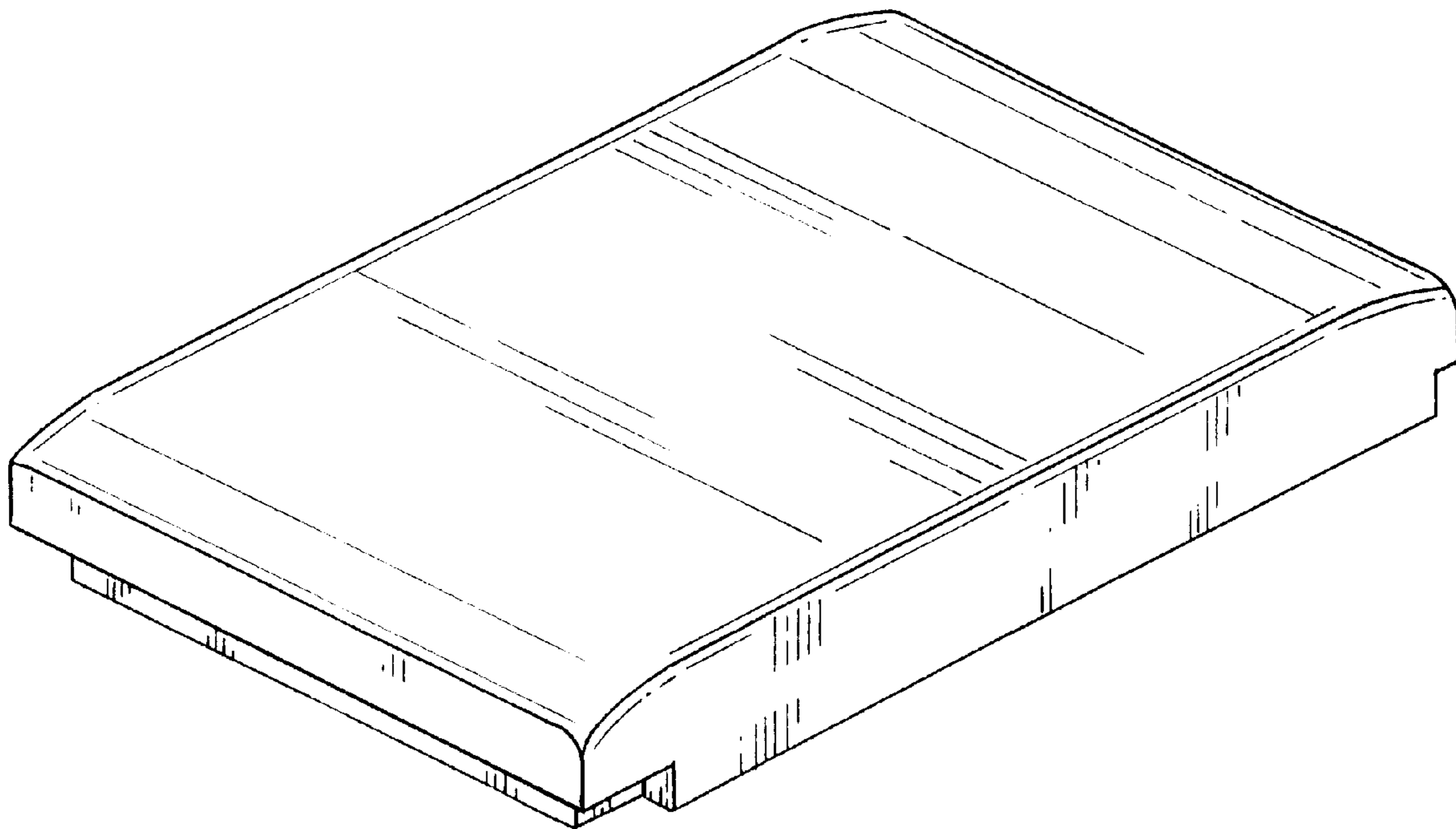


FIG. 1

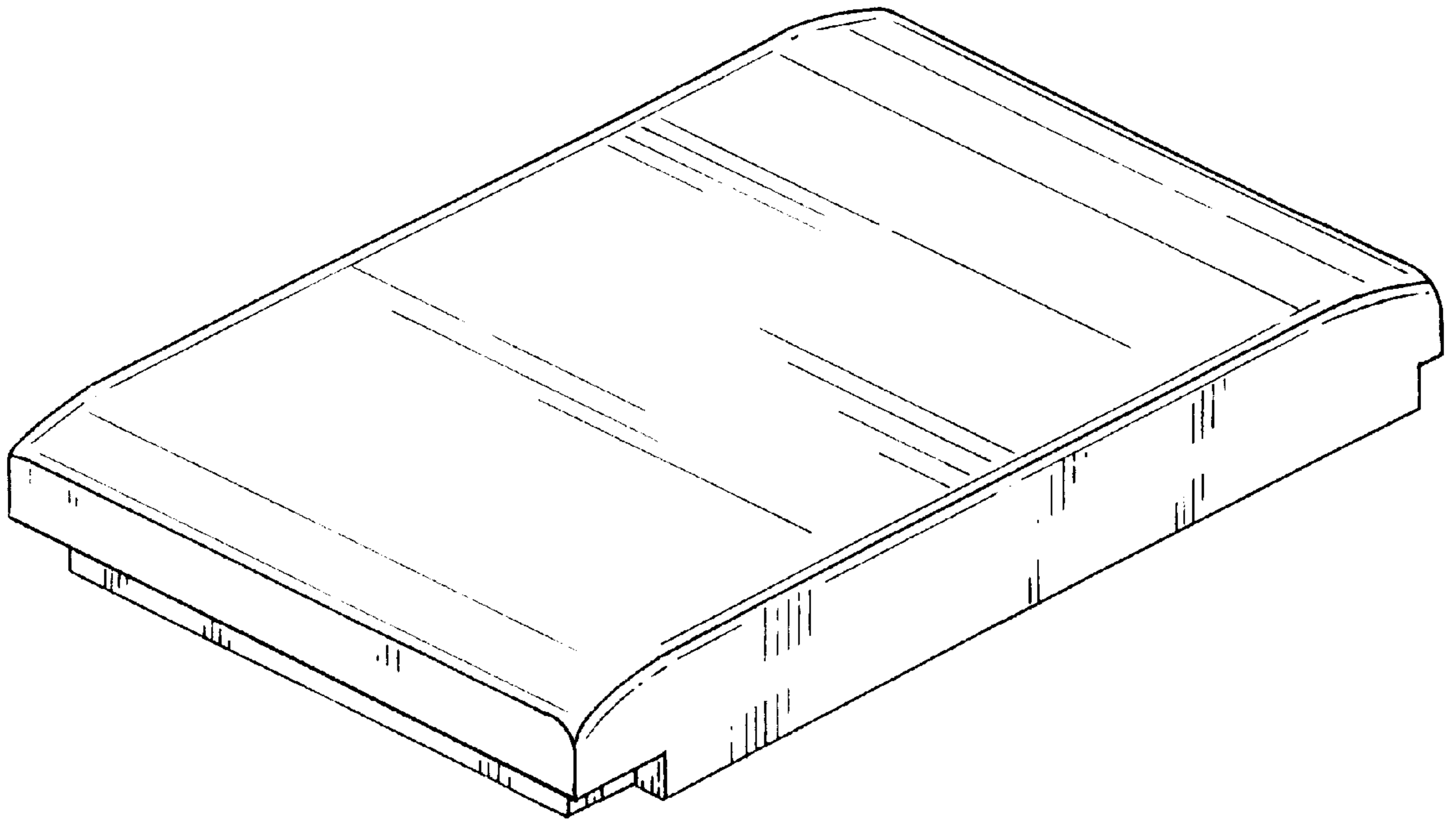


FIG. 2

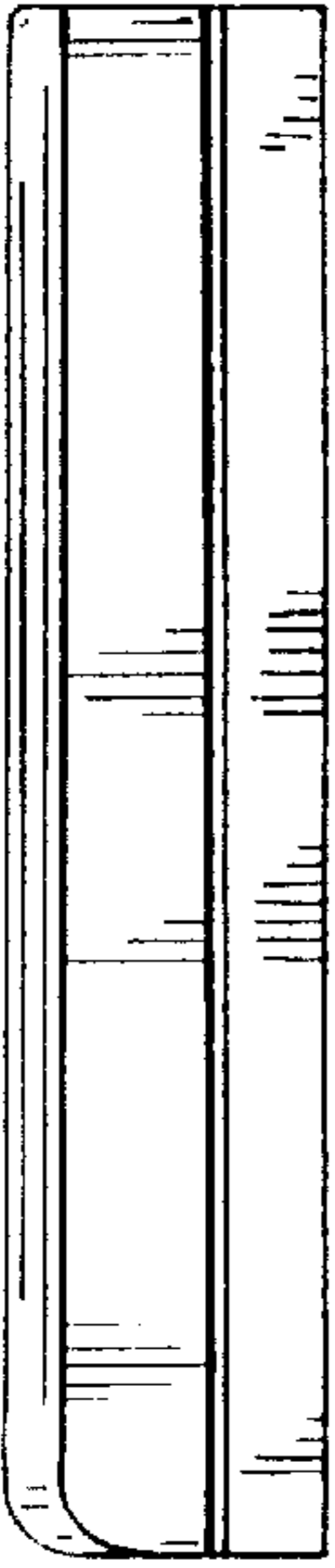


FIG. 4

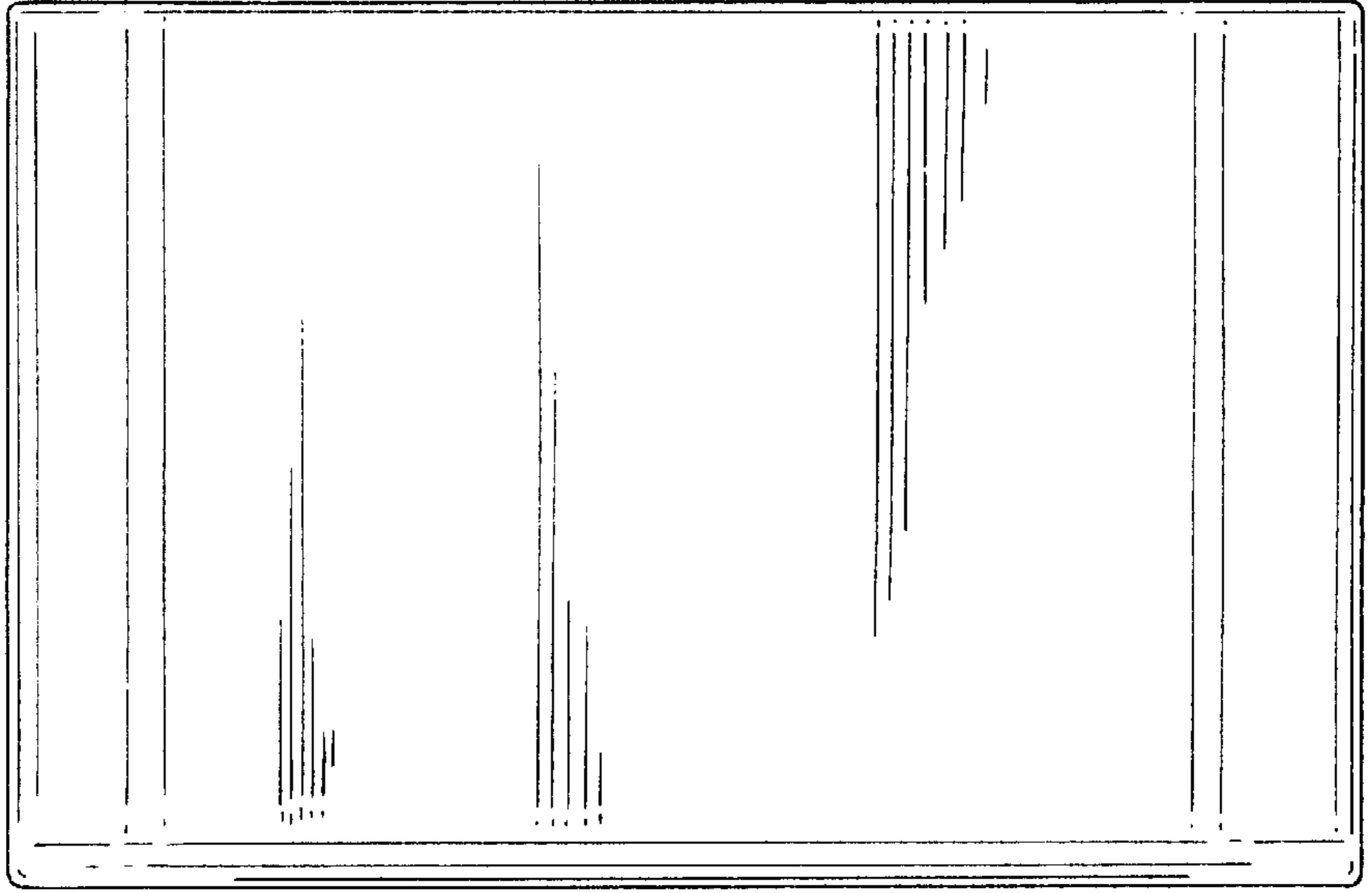


FIG. 3

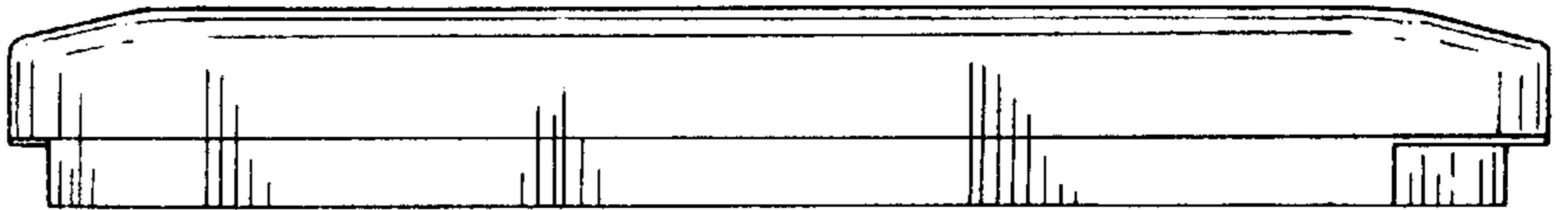


FIG. 5

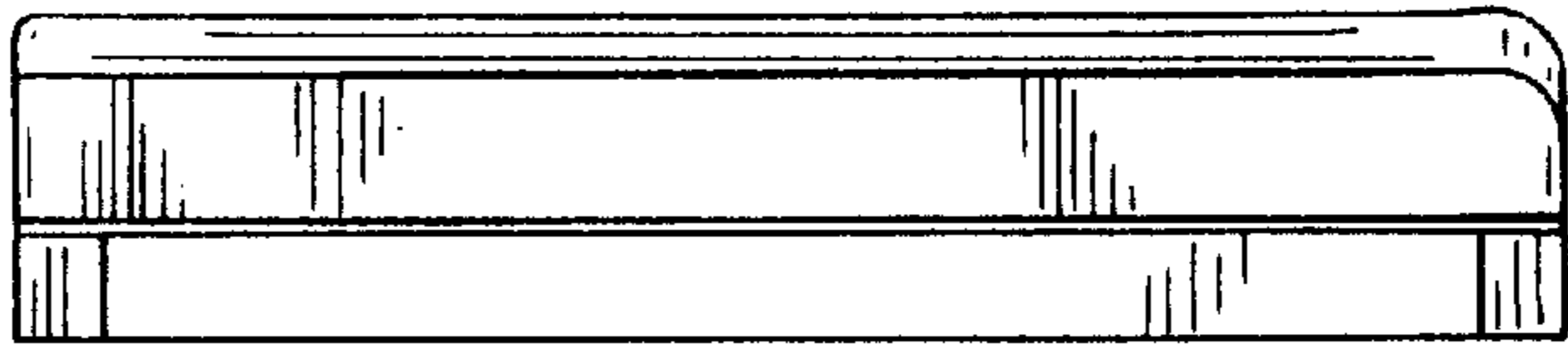


FIG. 6

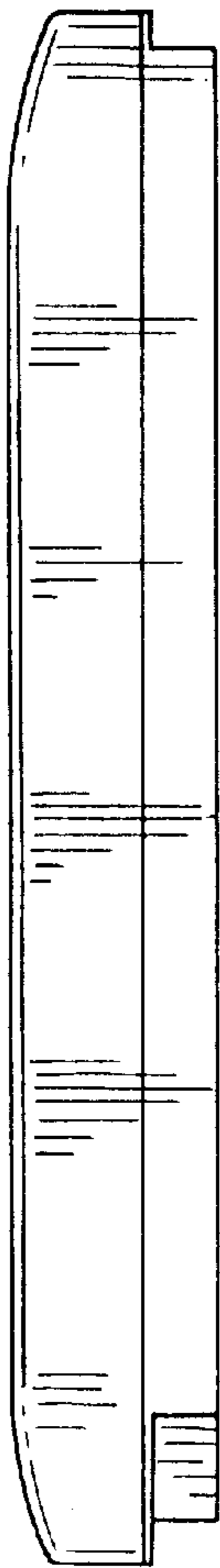


FIG. 7

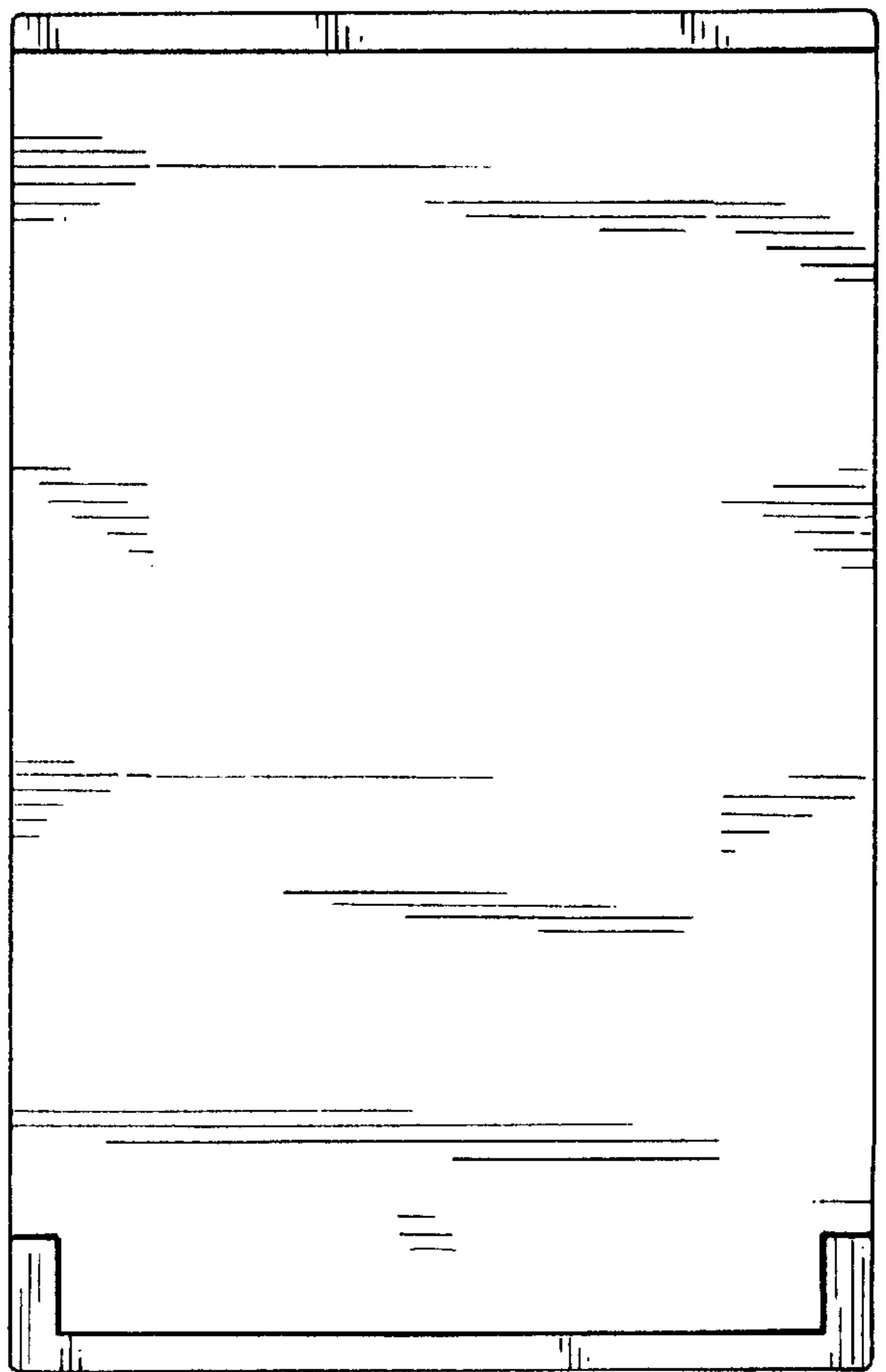


FIG. 8

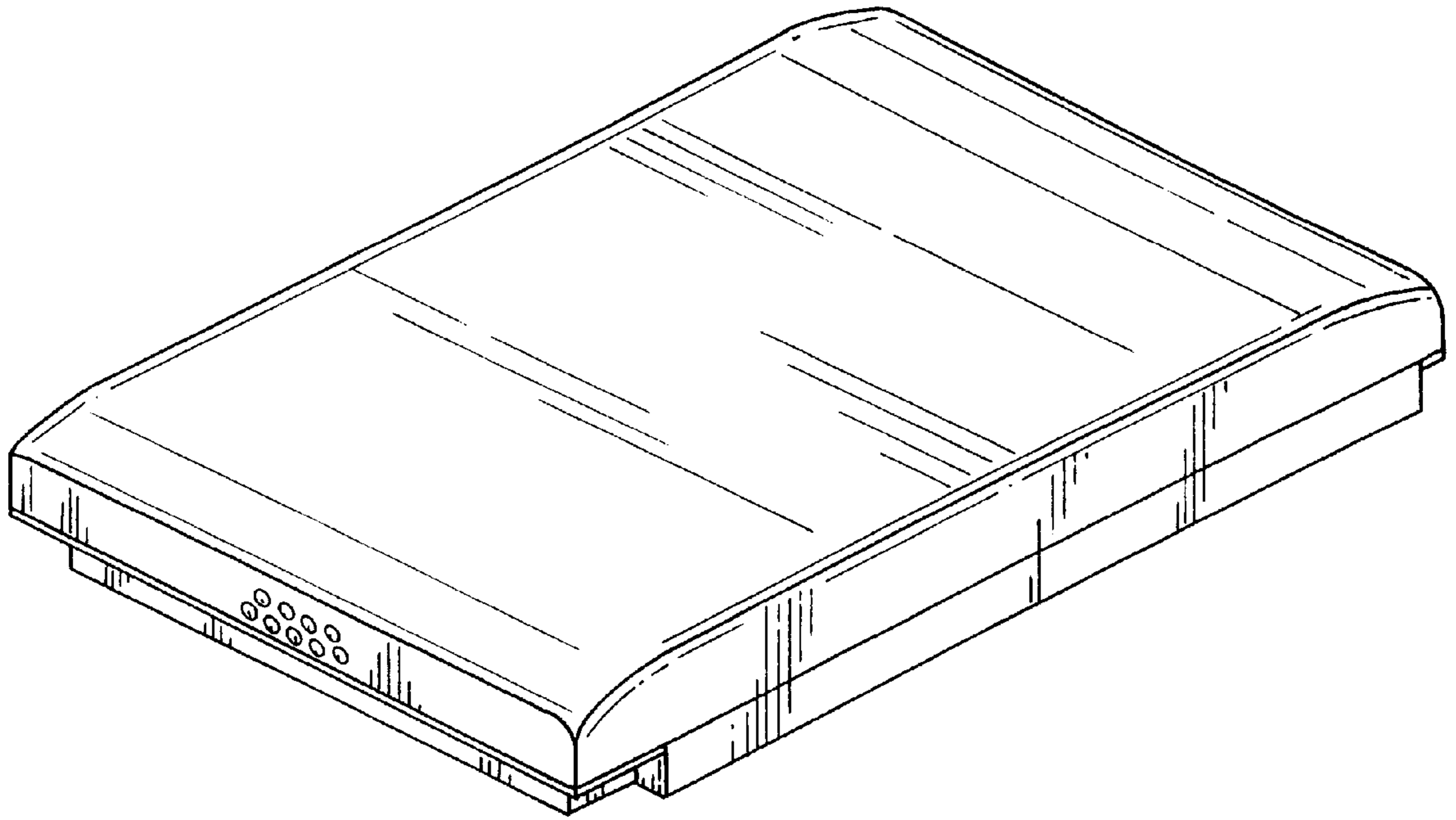


FIG. 9

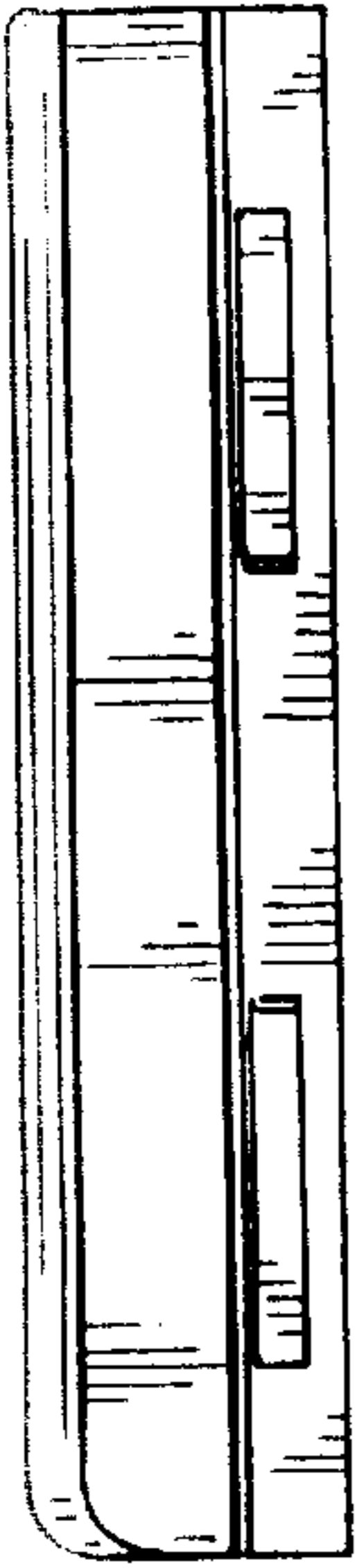


FIG. 11

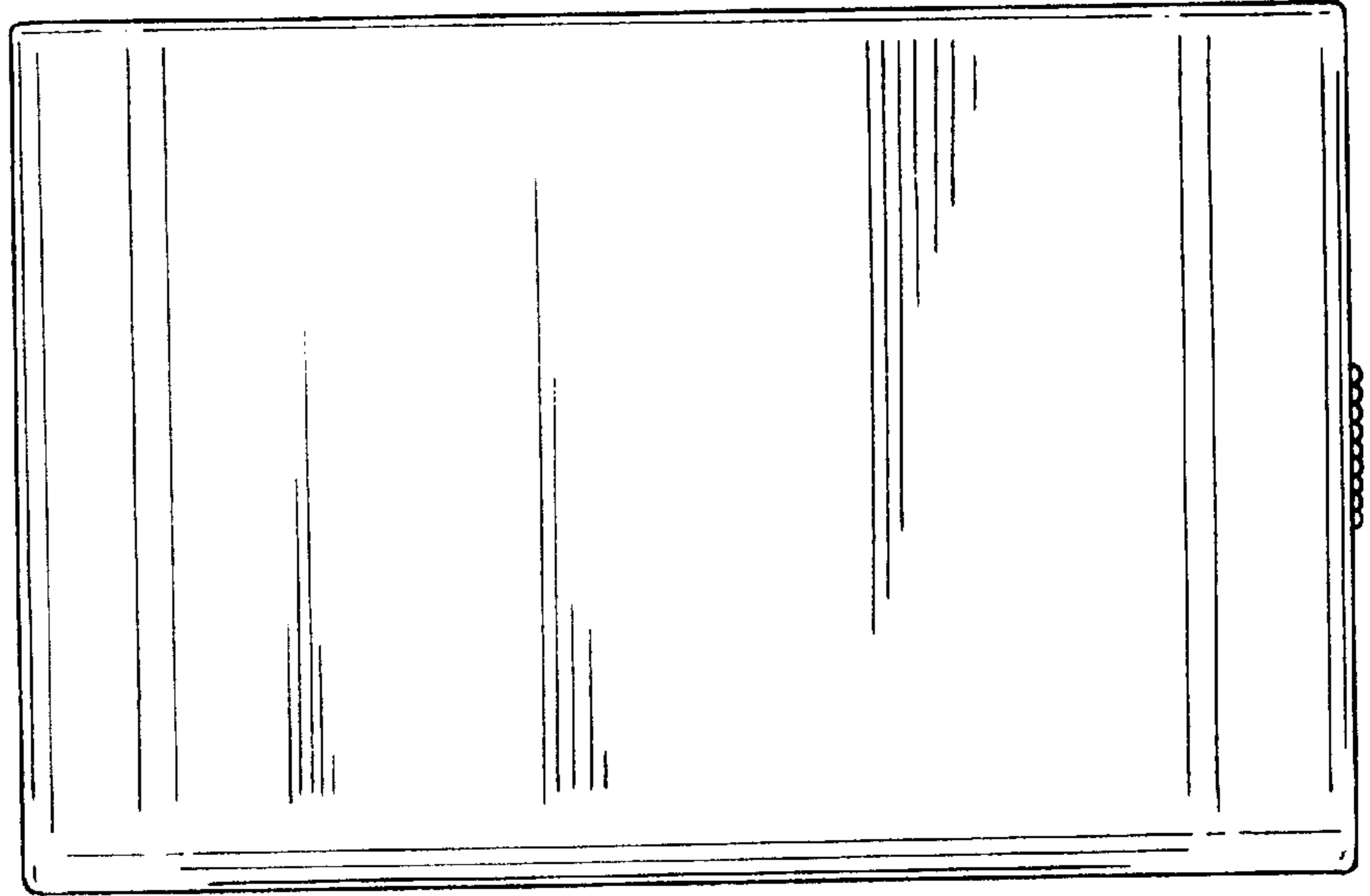


FIG. 10

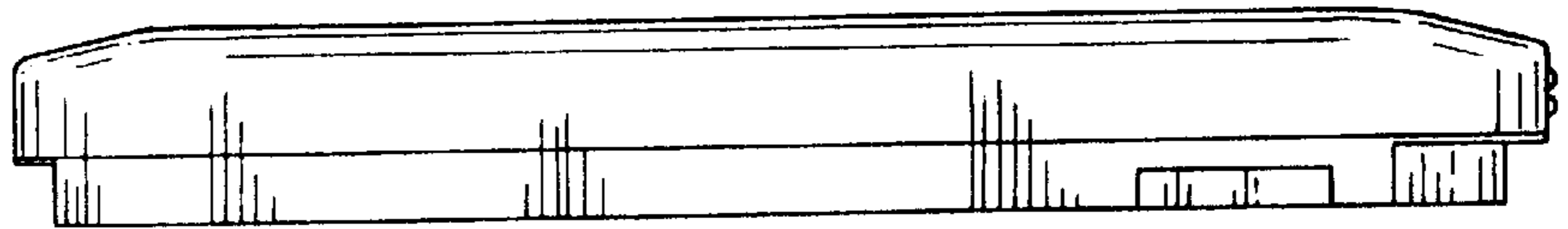


FIG. 12

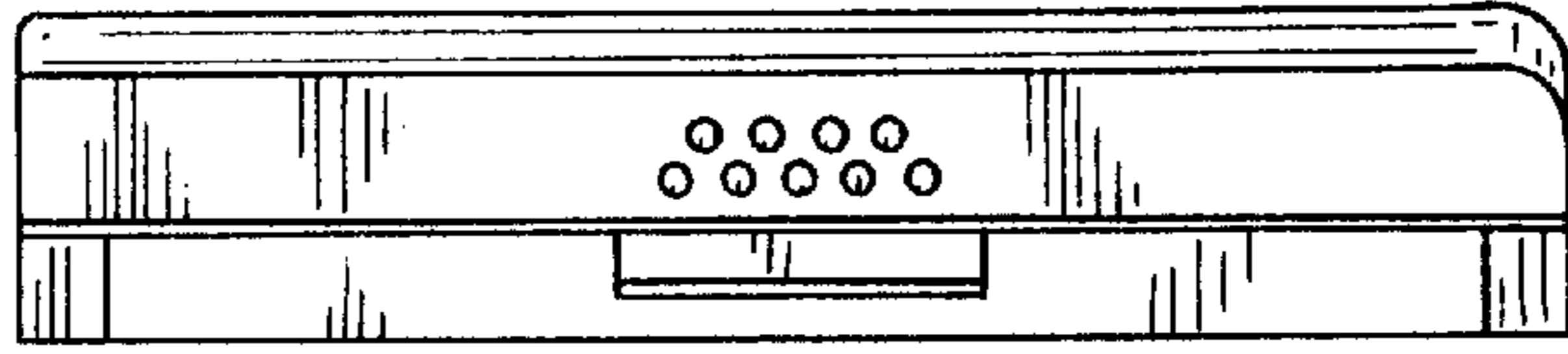


FIG. 13

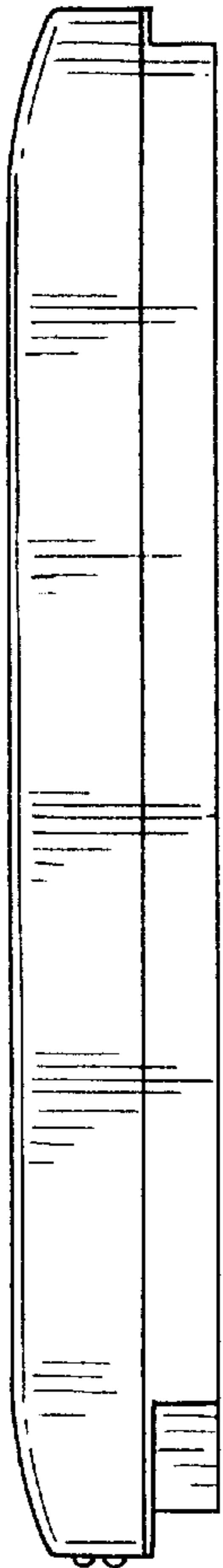


FIG. 14

