



US00D409136S

# United States Patent [19]

Sumita et al.

[11] **Patent Number: Des. 409,136**

[45] **Date of Patent: \*\* May 4, 1999**

[54] **RECHARGEABLE BATTERY**

[75] Inventors: **Kaoru Sumita; Hidero Mitsui**, both of Tokyo, Japan

[73] Assignee: **Sony Corporation**, Tokyo, Japan

[\*\*] Term: **14 Years**

[21] Appl. No.: **29/068,307**

[22] Filed: **Mar. 28, 1997**

[51] **LOC (6) Cl. .... 13-02**

[52] **U.S. Cl. .... D13/103**

[58] **Field of Search .... D13/103, 118, D13/119; 429/96-100, 163, 176**

[56] **References Cited**

**U.S. PATENT DOCUMENTS**

D. 357,896 5/1995 Berry ..... D13/103

**OTHER PUBLICATIONS**

SOWAH batteries on p. 481 of Hong Kong Enterprise, Jun. 1995.

Sony Card Entertainment Catalog, Item No. NP-F200, p. 26 (Sep., 1996).

*Primary Examiner*—Joel Sincavage

*Attorney, Agent, or Firm*—Foley & Lardner

[57] **CLAIM**

The ornamental design for a rechargeable battery, as shown and described.

**DESCRIPTION**

FIG. 1 is a perspective view of a first embodiment of a rechargeable battery showing our new design; FIG. 2 is a top plan view thereof; FIG. 3 is a left side elevational view thereof; FIG. 4 is a front elevational view thereof; FIG. 5 is a bottom plan view thereof; FIG. 6 is a right side elevational view thereof; FIG. 7 is a rear elevational view thereof; FIG. 8 is a perspective view of a second embodiment of a rechargeable battery showing our new design; FIG. 9 is a top plan view of the embodiment of FIG. 8; FIG. 10 is a left side elevational view of the embodiment of FIG. 8; FIG. 11 is a front elevational view of the embodiment of FIG. 8; FIG. 12 is a bottom plan view of the embodiment of FIG. 8; FIG. 13 is a right side elevational view of the embodiment of FIG. 8; and, FIG. 14 is a rear elevational view of the embodiment of FIG. 8.

**1 Claim, 6 Drawing Sheets**

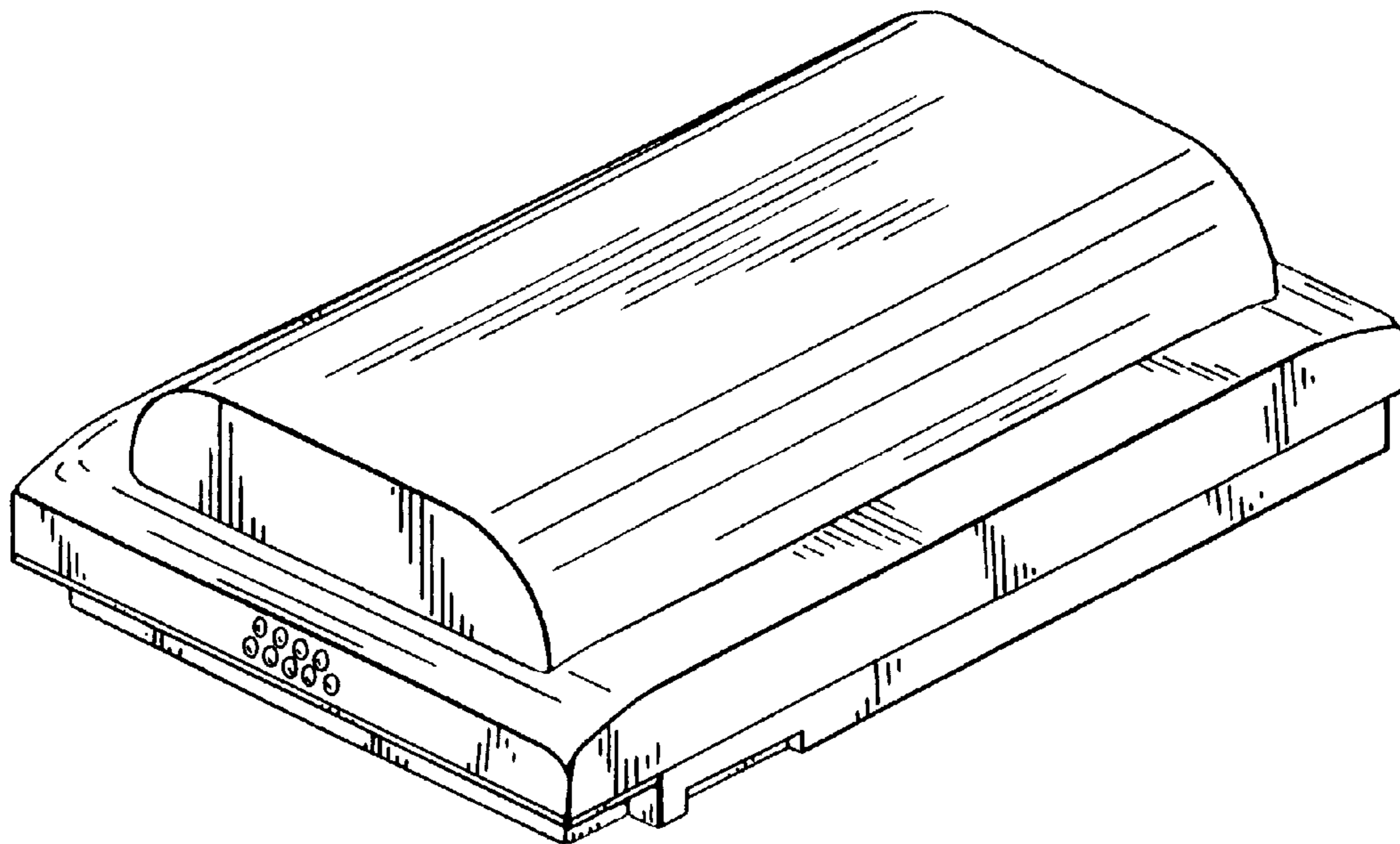


FIG. 1

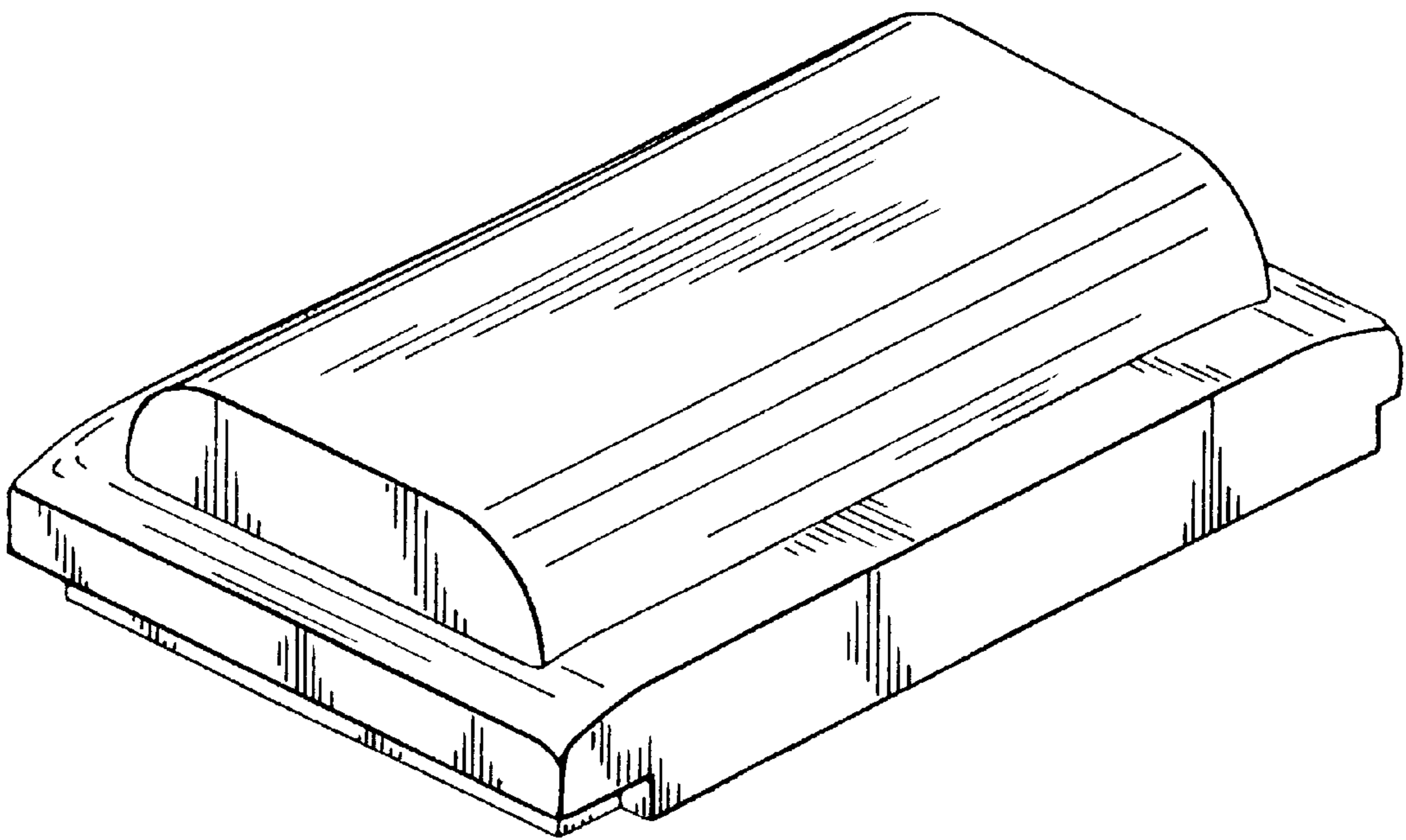


FIG. 2

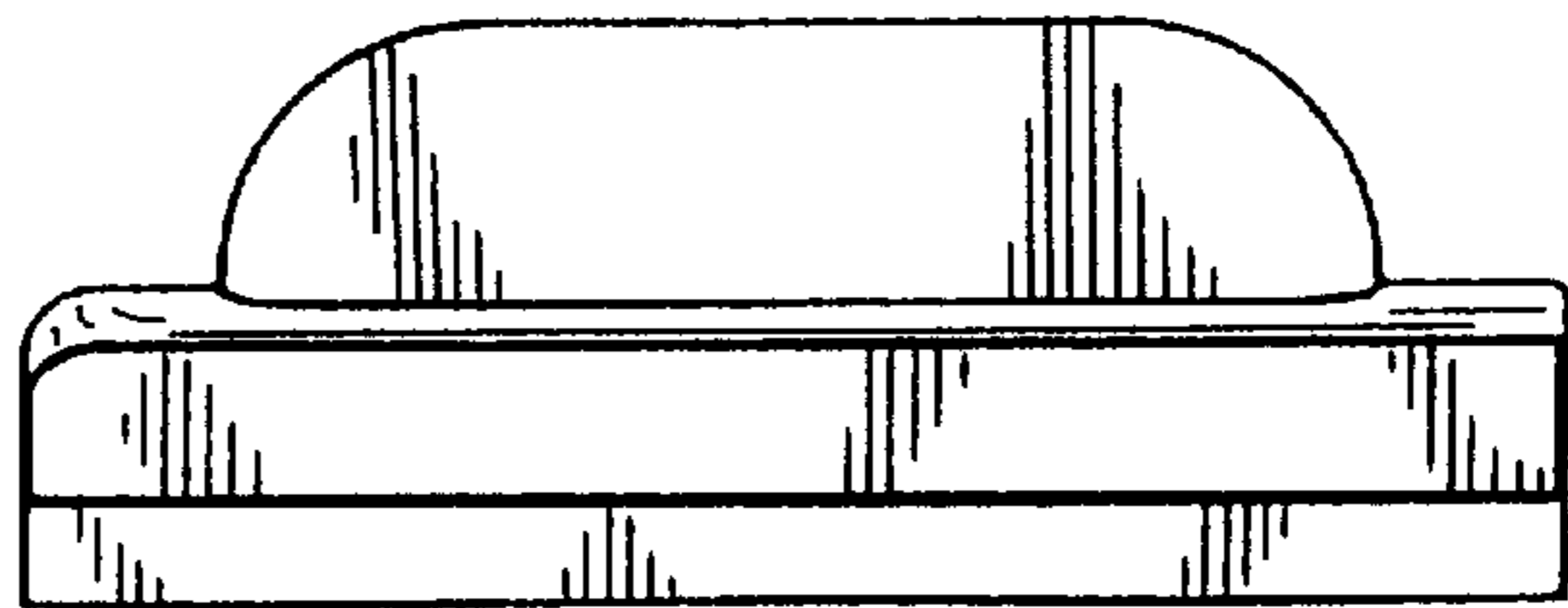


FIG. 3

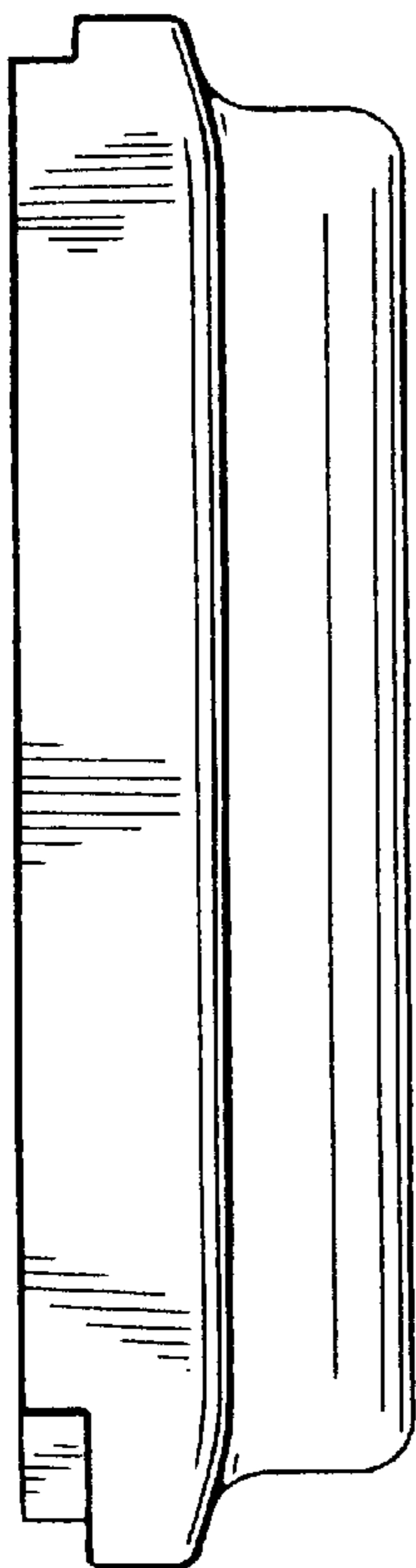


FIG. 4

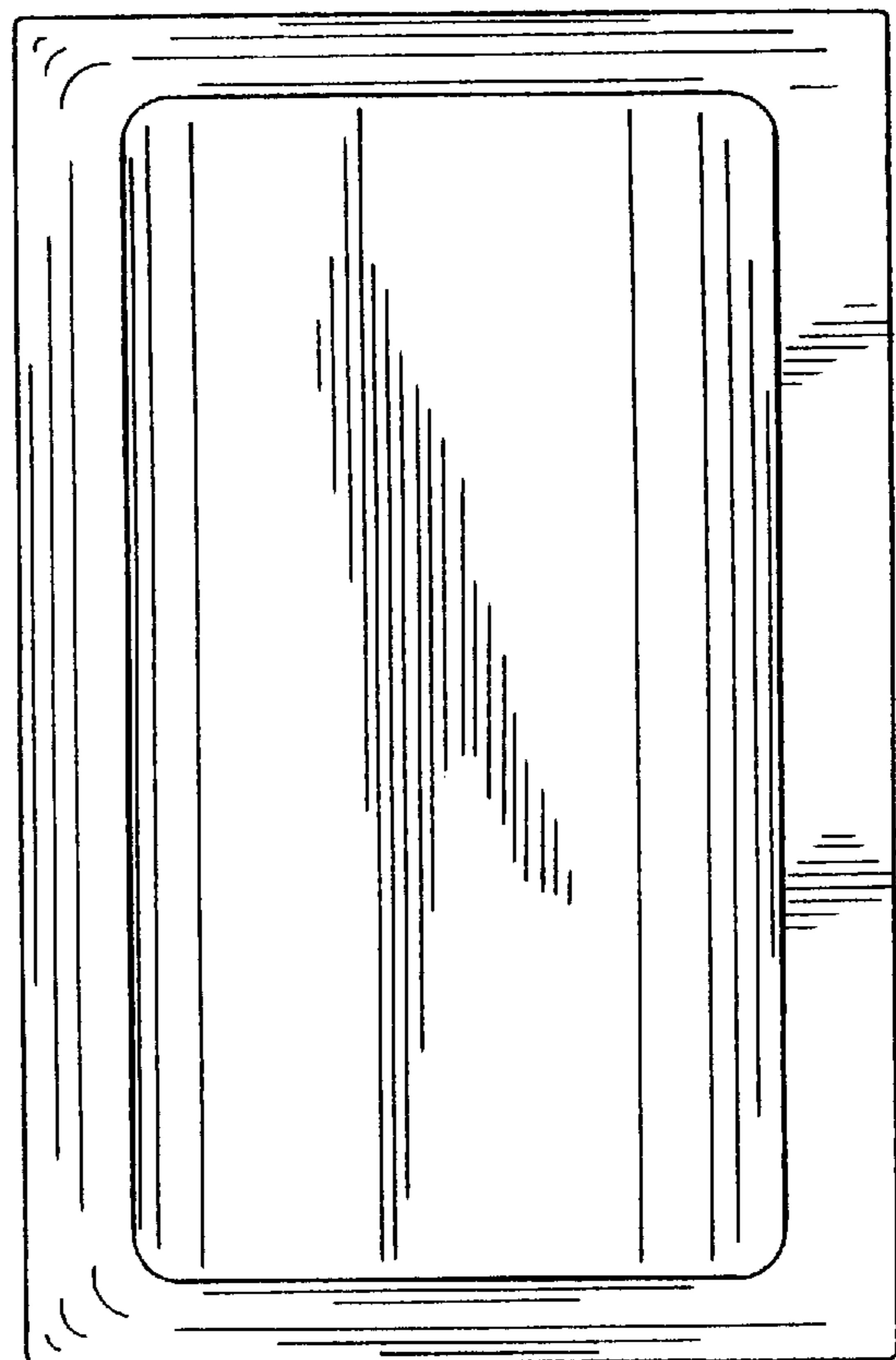


FIG. 6

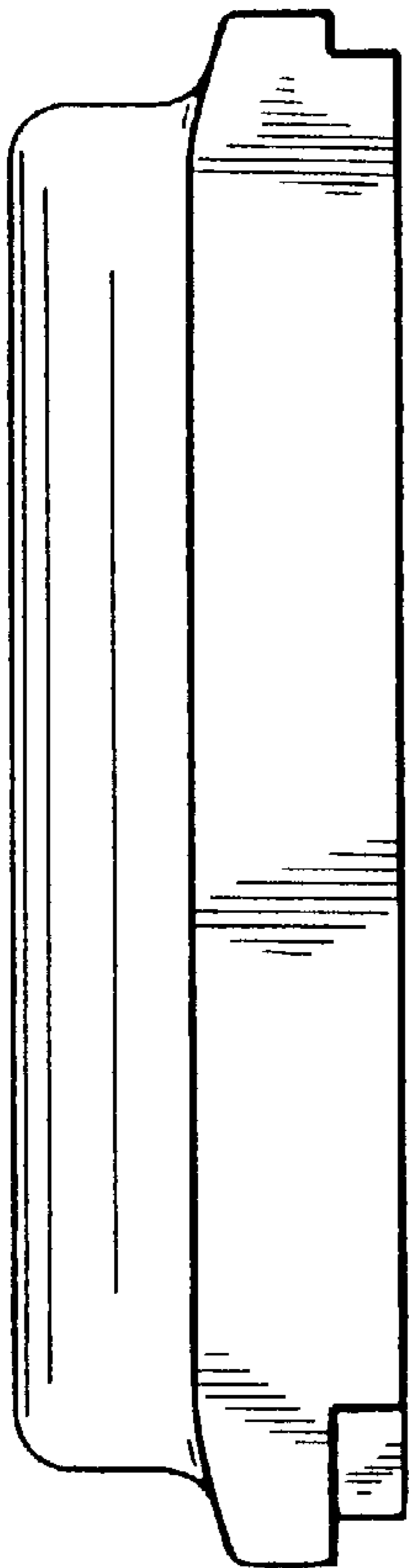


FIG. 7

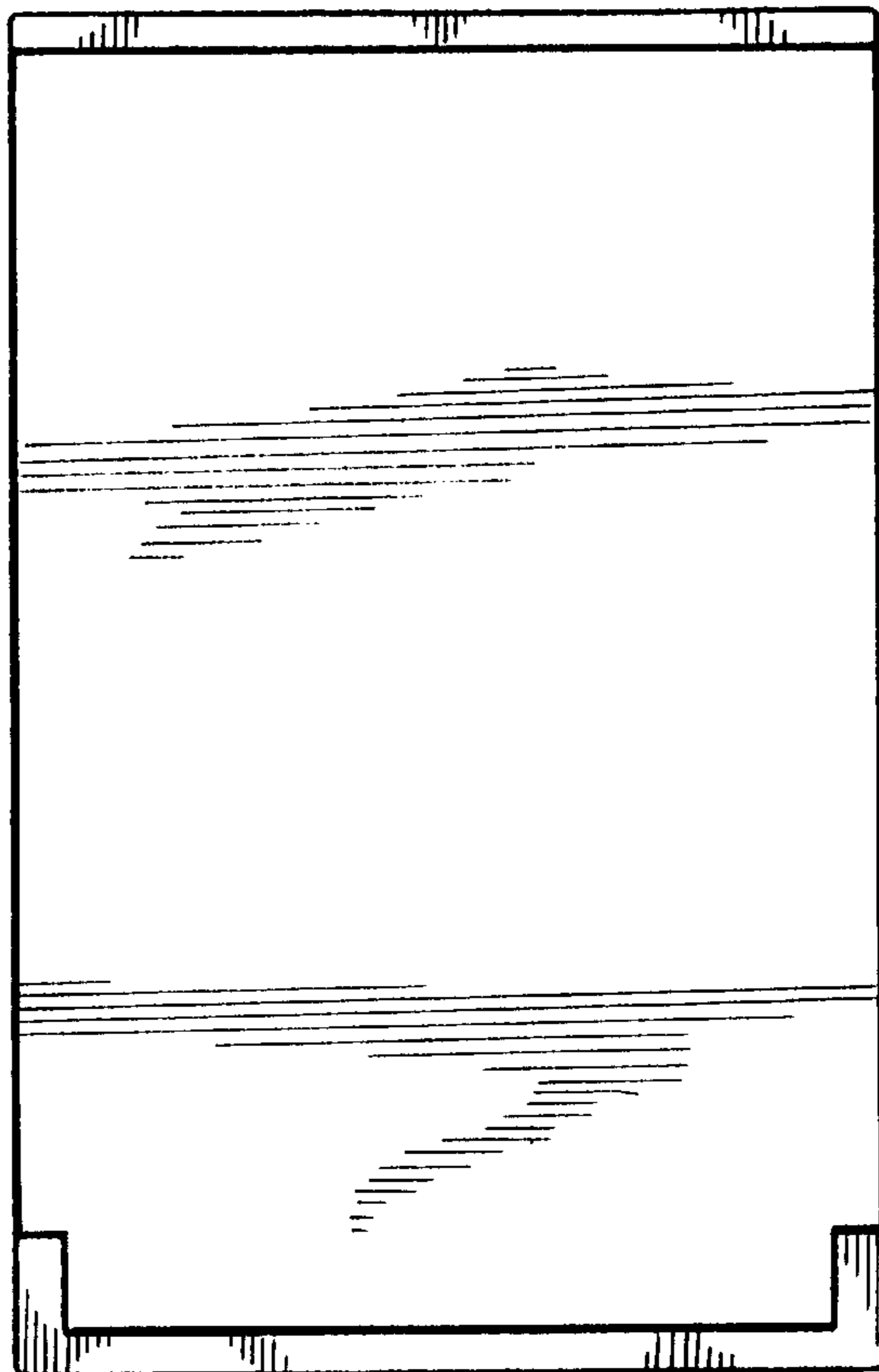


FIG. 5

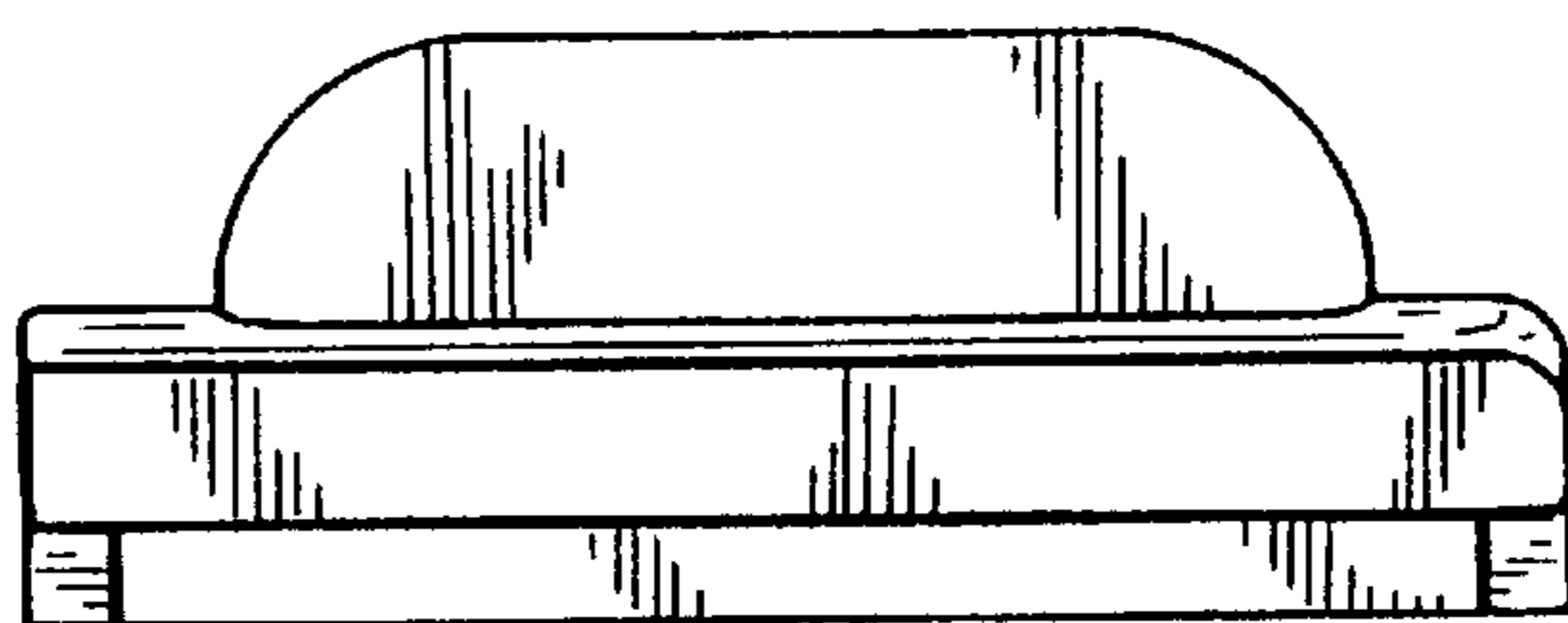


FIG. 8

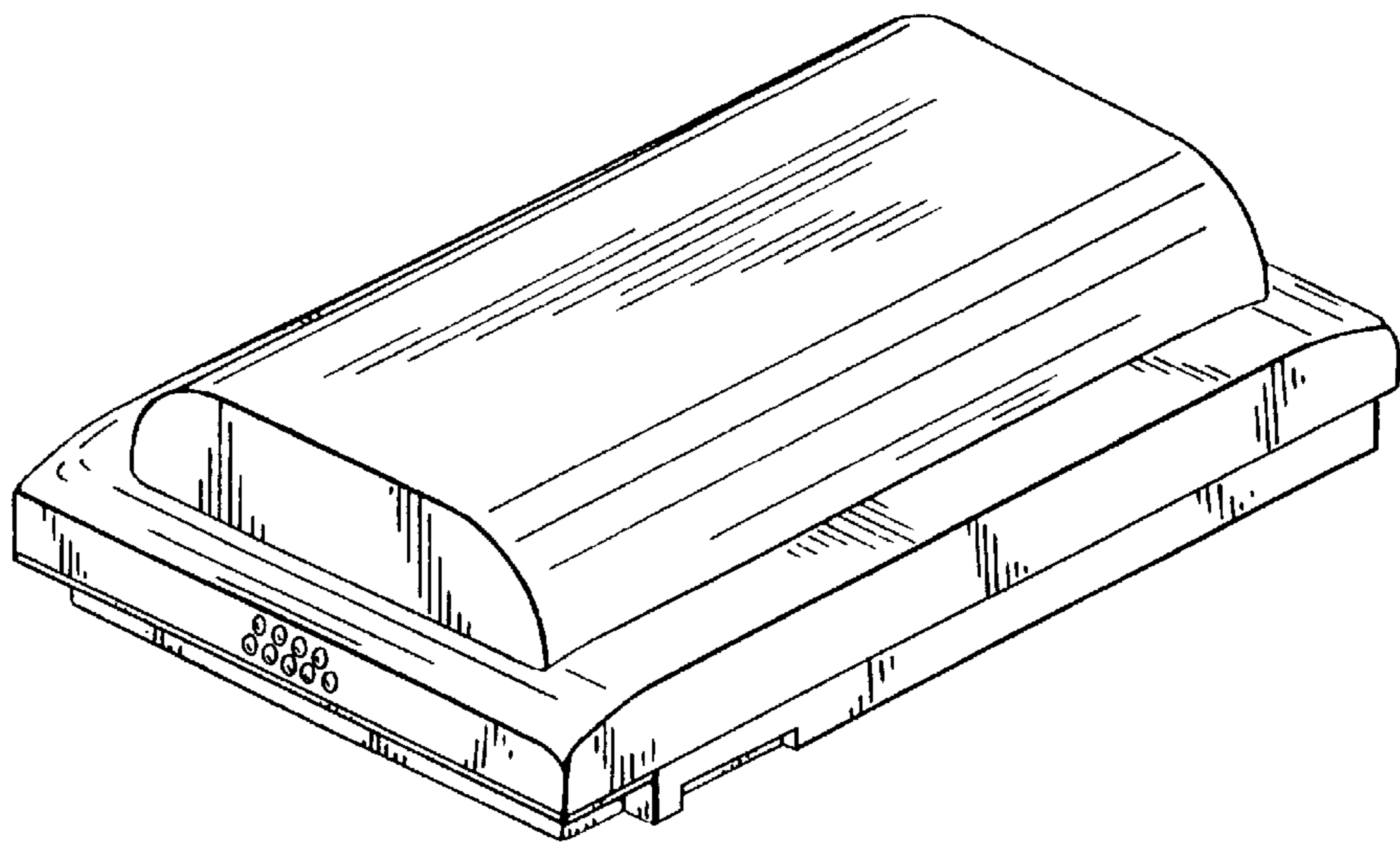


FIG.9

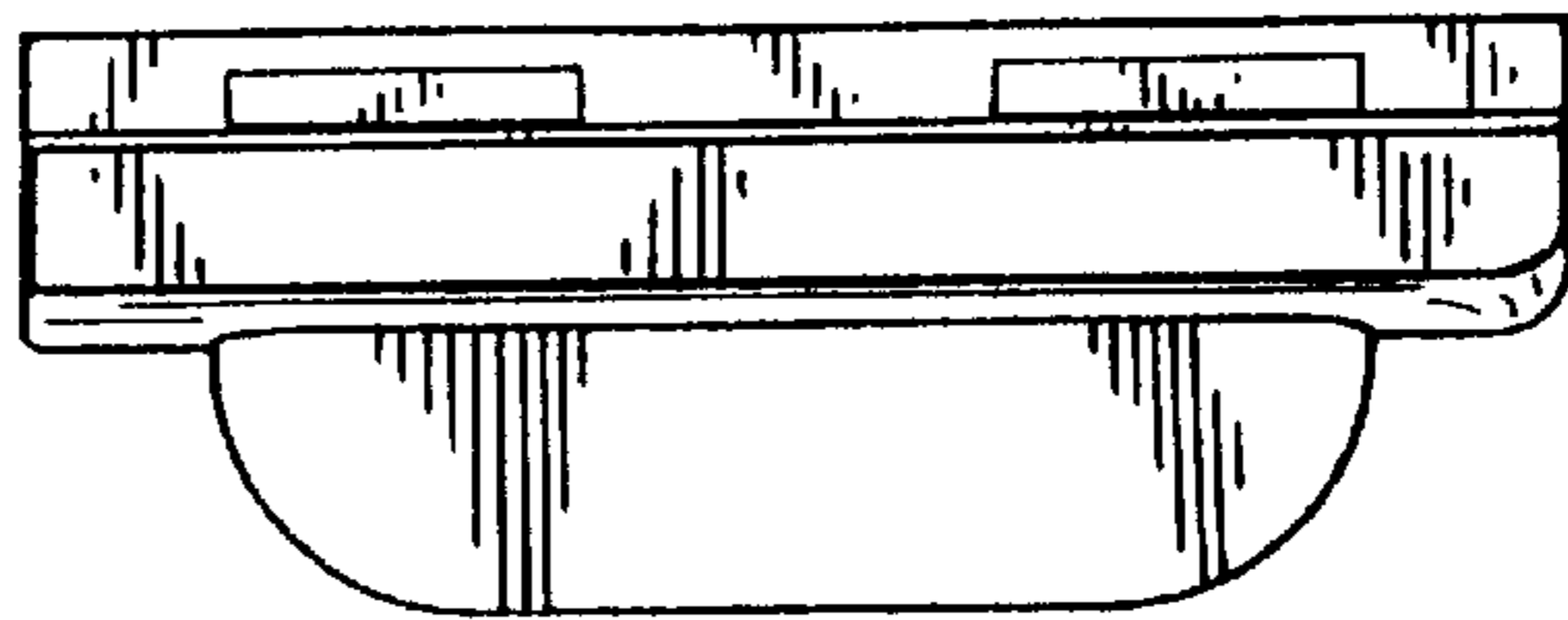


FIG.10

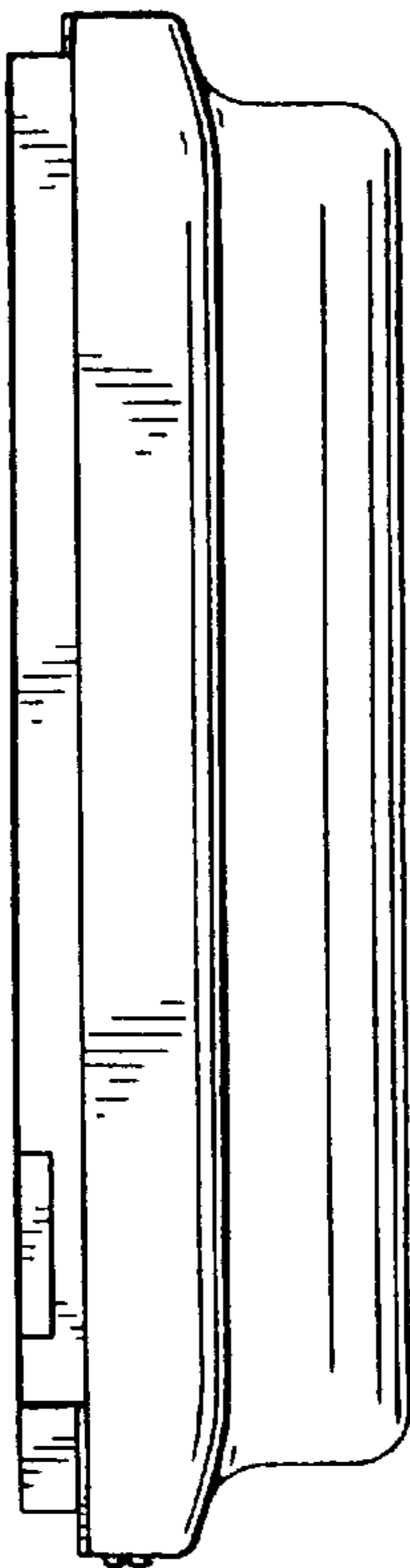


FIG.11

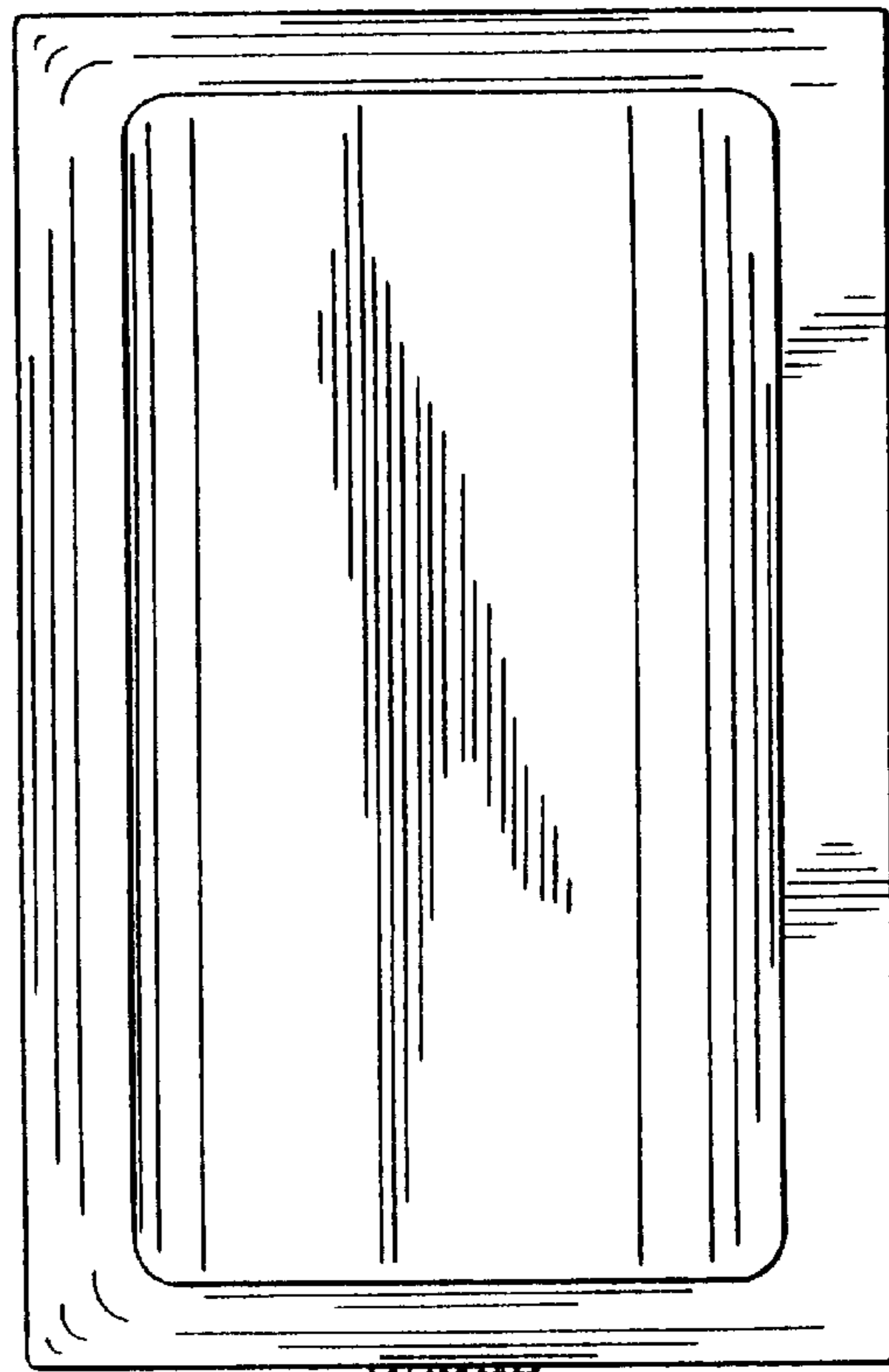


FIG.13

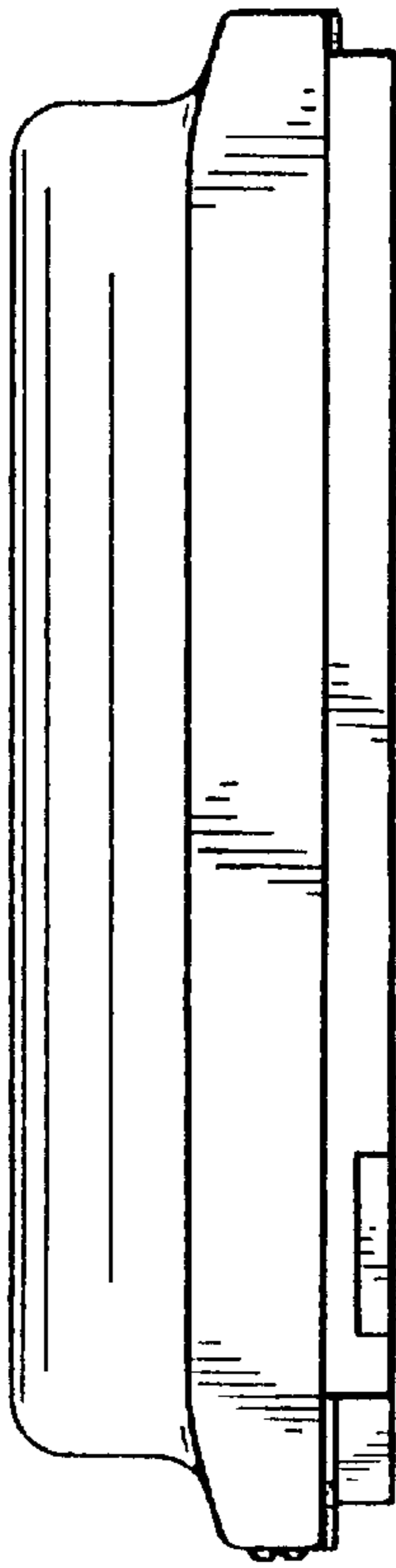


FIG.14

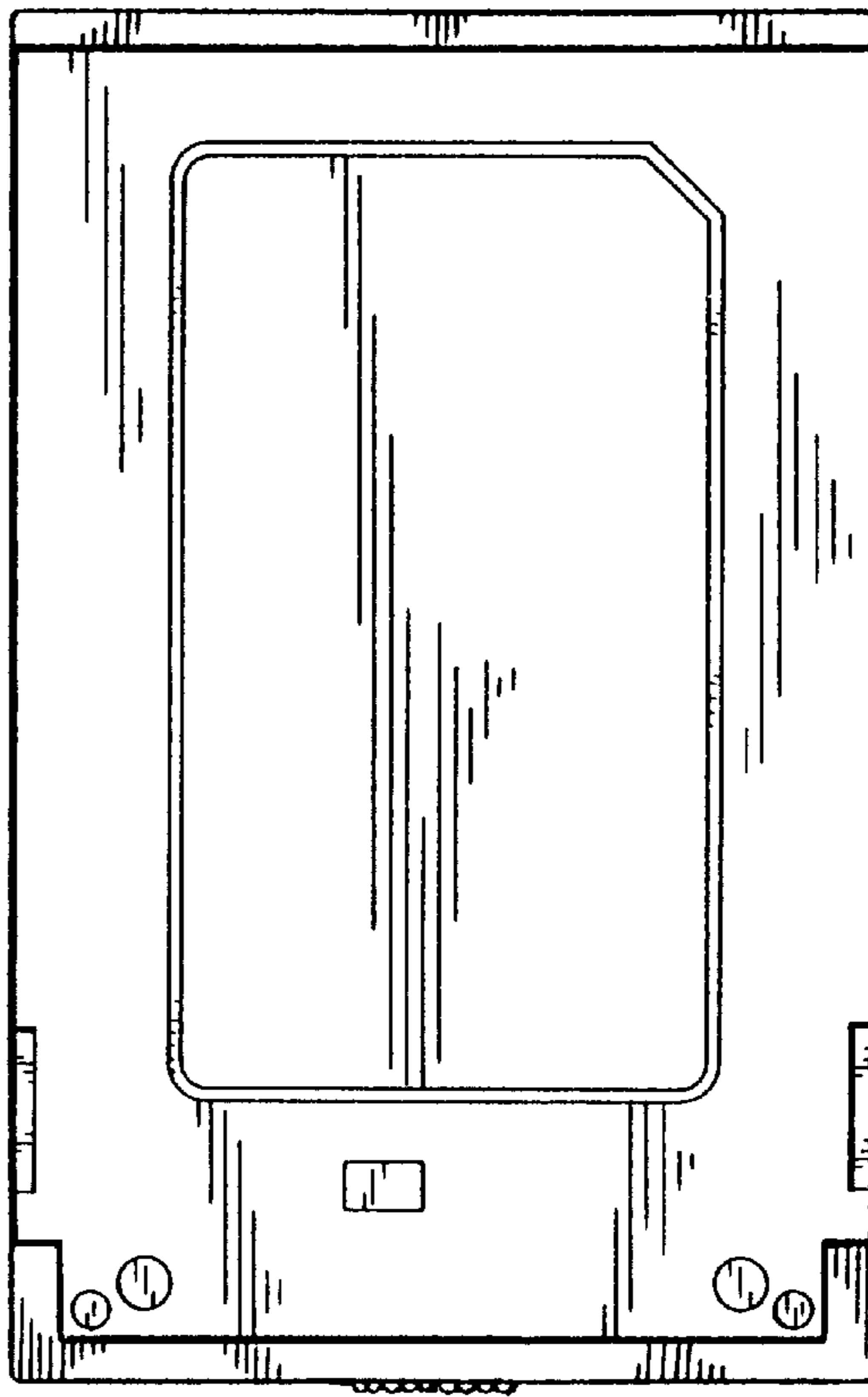


FIG.12

