



US00D409135S

United States Patent [19]
Davis

[11] **Patent Number: Des. 409,135**

[45] **Date of Patent: ** May 4, 1999**

[54] **CUPHOLDER**

2,049,593 8/1936 Schabinger D21/701 X
3,244,420 4/1966 Poynter D21/701 X

[75] Inventor: **Mark Davis**, Wauwatosa, Wis.

[73] Assignee: **Huffy Corporation**, Miamisburg, Ohio

[**] Term: **14 Years**

Primary Examiner—Doris V. Coles

Assistant Examiner—Stacia Sinuik

Attorney, Agent, or Firm—Michael J. Bell; Howrey & Simon

[21] Appl. No.: **29/078,331**

[57] **CLAIM**

[22] Filed: **Oct. 21, 1997**

The ornamental design for a cupholder, as shown and described.

[51] **LOC (6) Cl.** **12-16**

DESCRIPTION

[52] **U.S. Cl.** **D12/420; D7/620; D21/703**

[58] **Field of Search** D12/419, 420;
D21/701, 703, 705; D6/531-534; D7/619-620;
224/926, 400, 482, 539

FIG. 1 is a perspective view of a cupholder embodying my design;

FIG. 2 is a front elevational view thereof;

FIG. 3 is a left side elevational view thereof, the right side elevational view being a mirror image thereof;

FIG. 4 is a rear elevational view thereof;

FIG. 5 is a top plan view thereof;

FIG. 6 is a bottom plan view thereof;

FIG. 7 is a front elevational view of a second embodiment thereof;

FIG. 8 is a top plan view thereof; and,

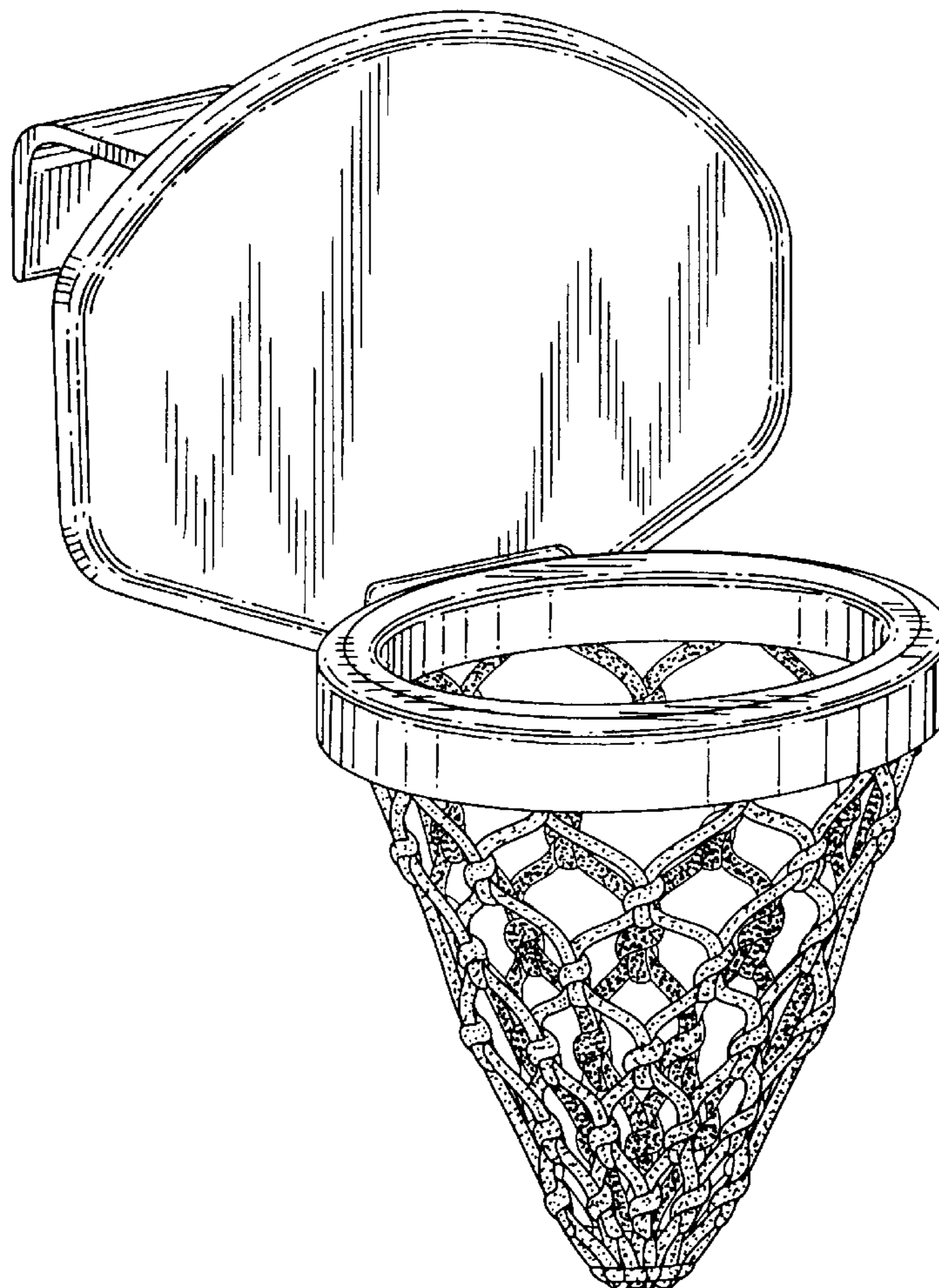
FIG. 9 is a bottom view thereof.

[56] **References Cited**

U.S. PATENT DOCUMENTS

D. 285,032	8/1986	Alonzo	D7/620
D. 307,040	4/1990	Helalian	D21/701 X
D. 327,928	7/1992	Cochran	D21/701
D. 327,981	7/1992	Speers	D12/420
D. 360,667	7/1995	Liu	D21/701
D. 367,690	3/1996	Jimick et al.	D21/701
D. 383,348	9/1997	Frankel	D6/553 X
1,522,957	1/1925	Kennedy	D21/701 X

1 Claim, 7 Drawing Sheets



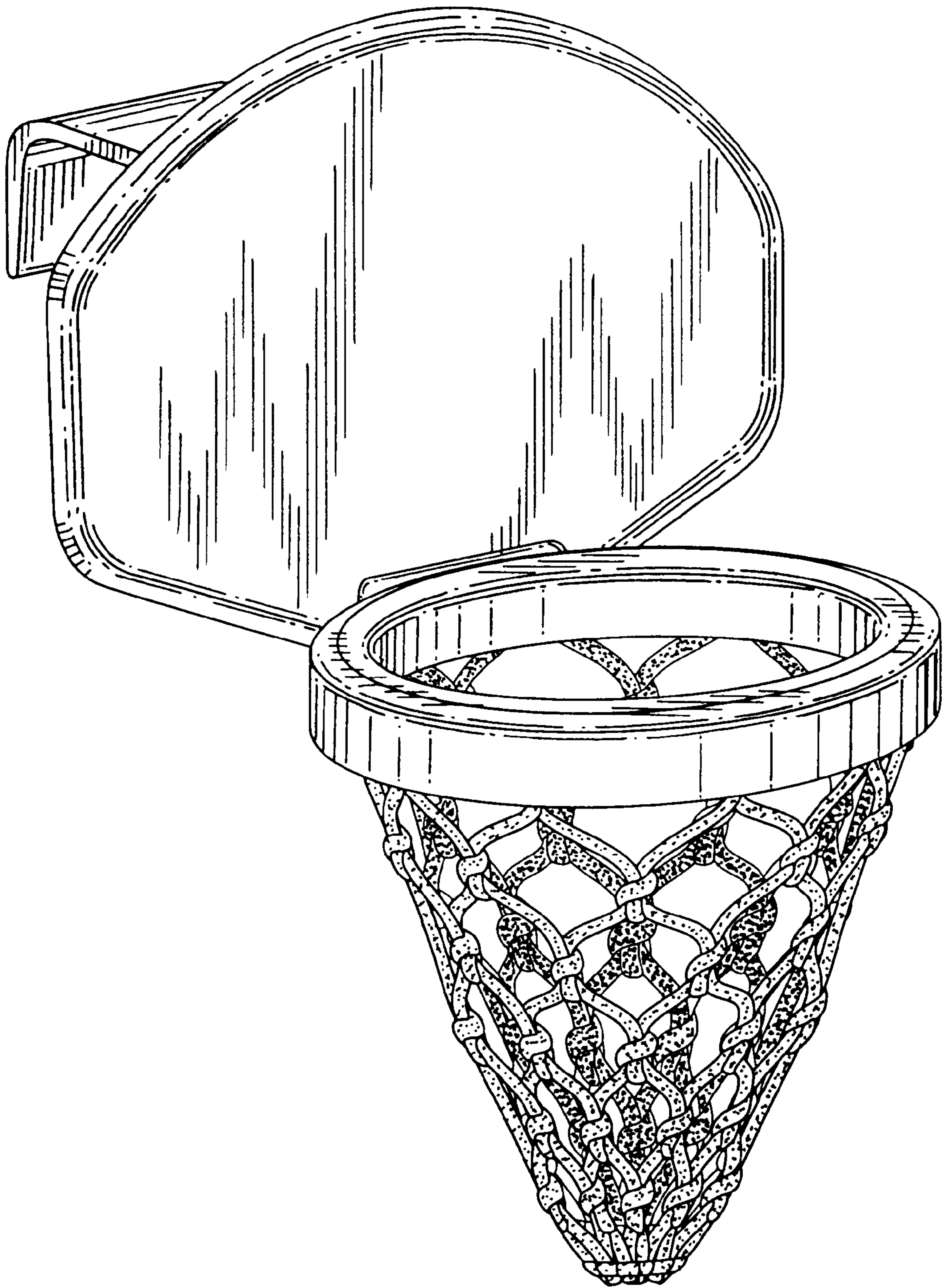


FIG. 1

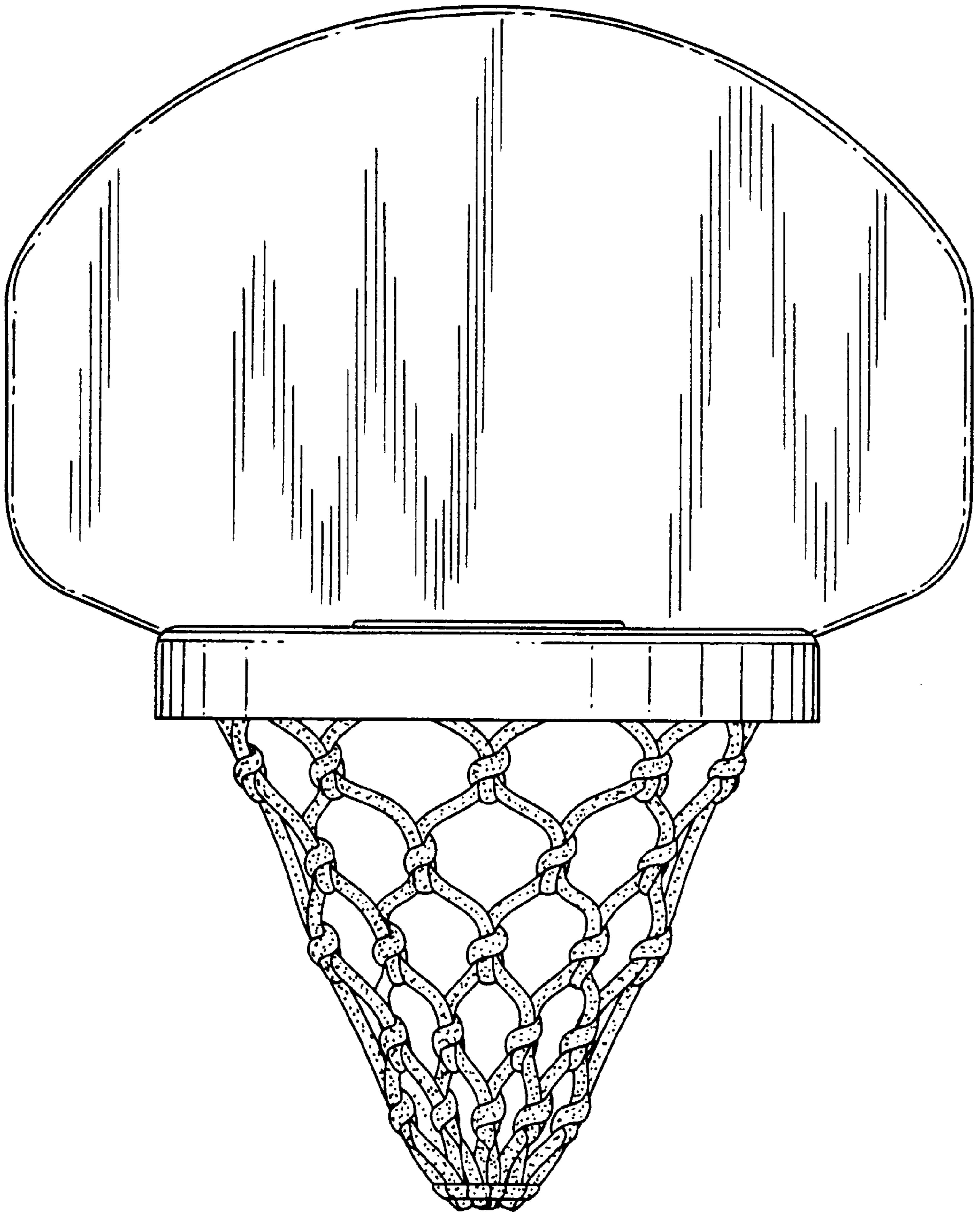


FIG. 2

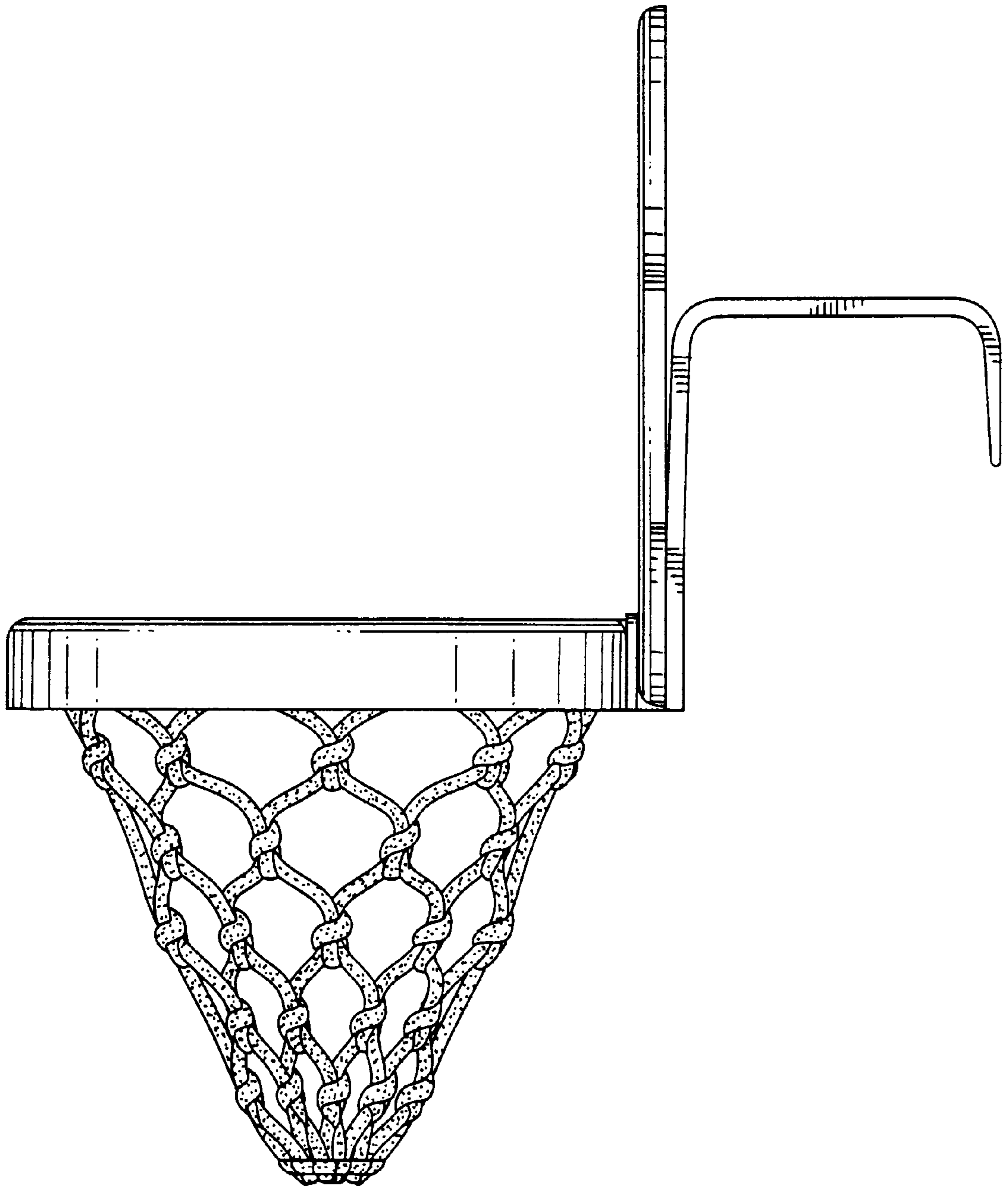


FIG. 3

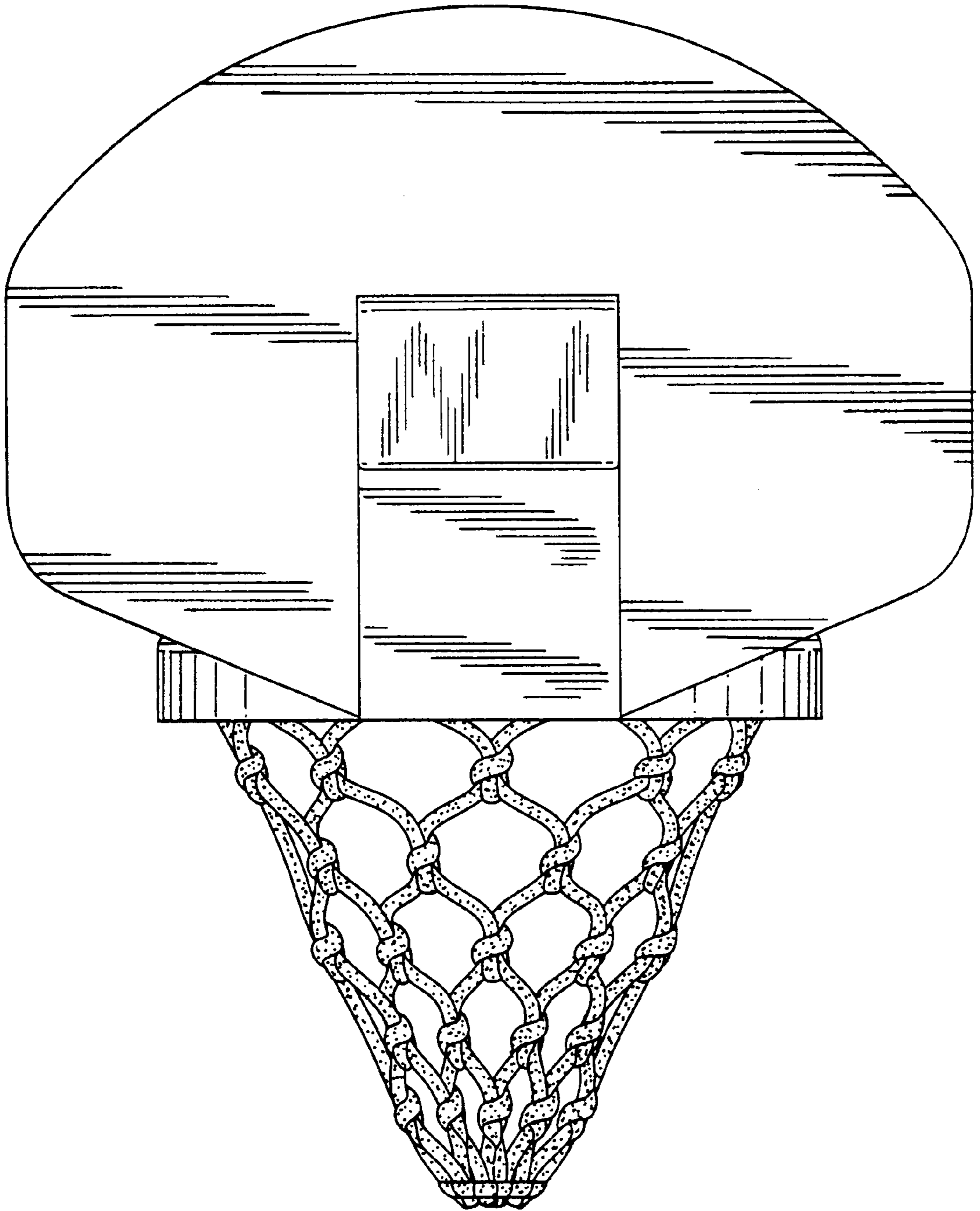


FIG. 4

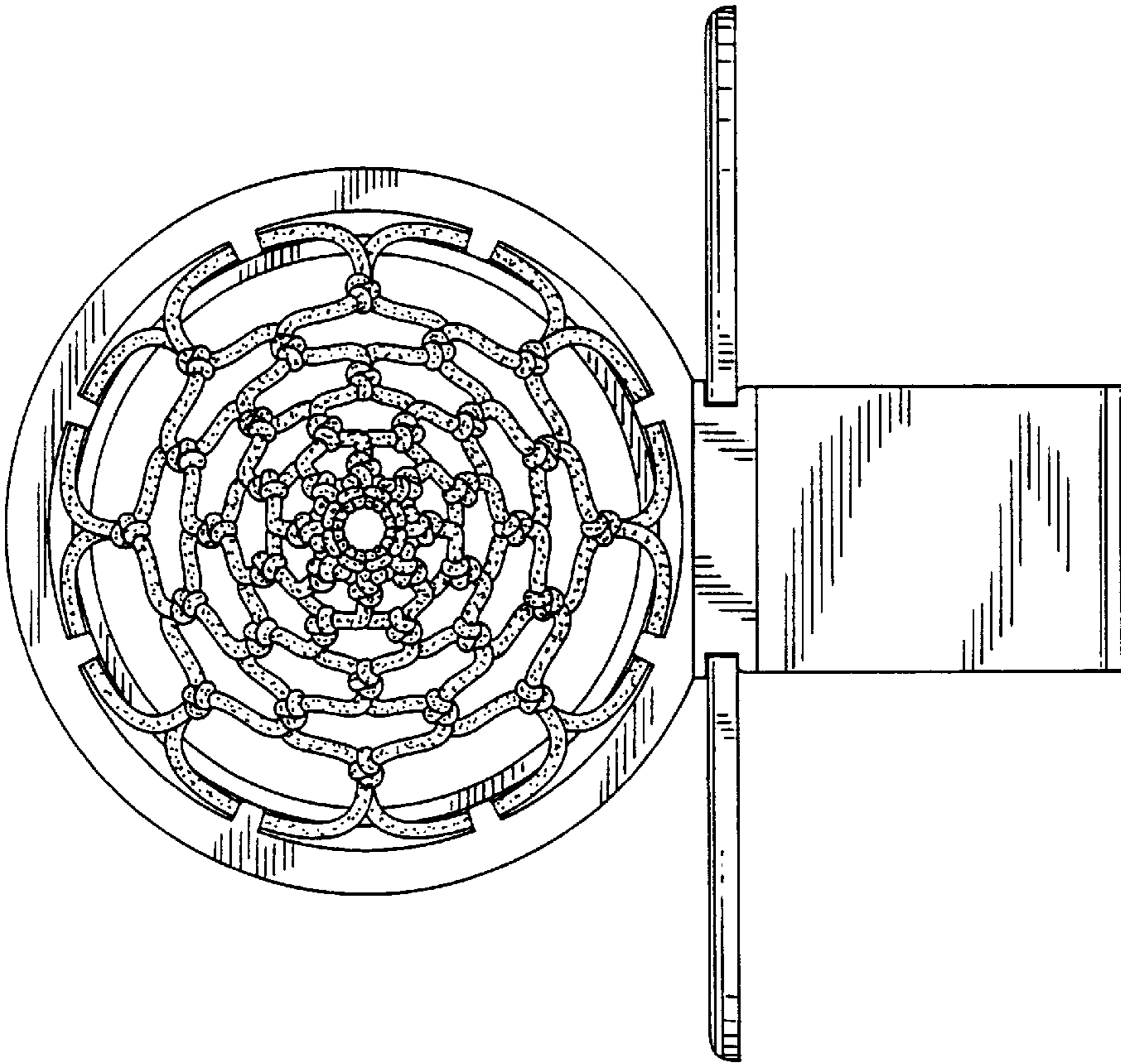


FIG. 6

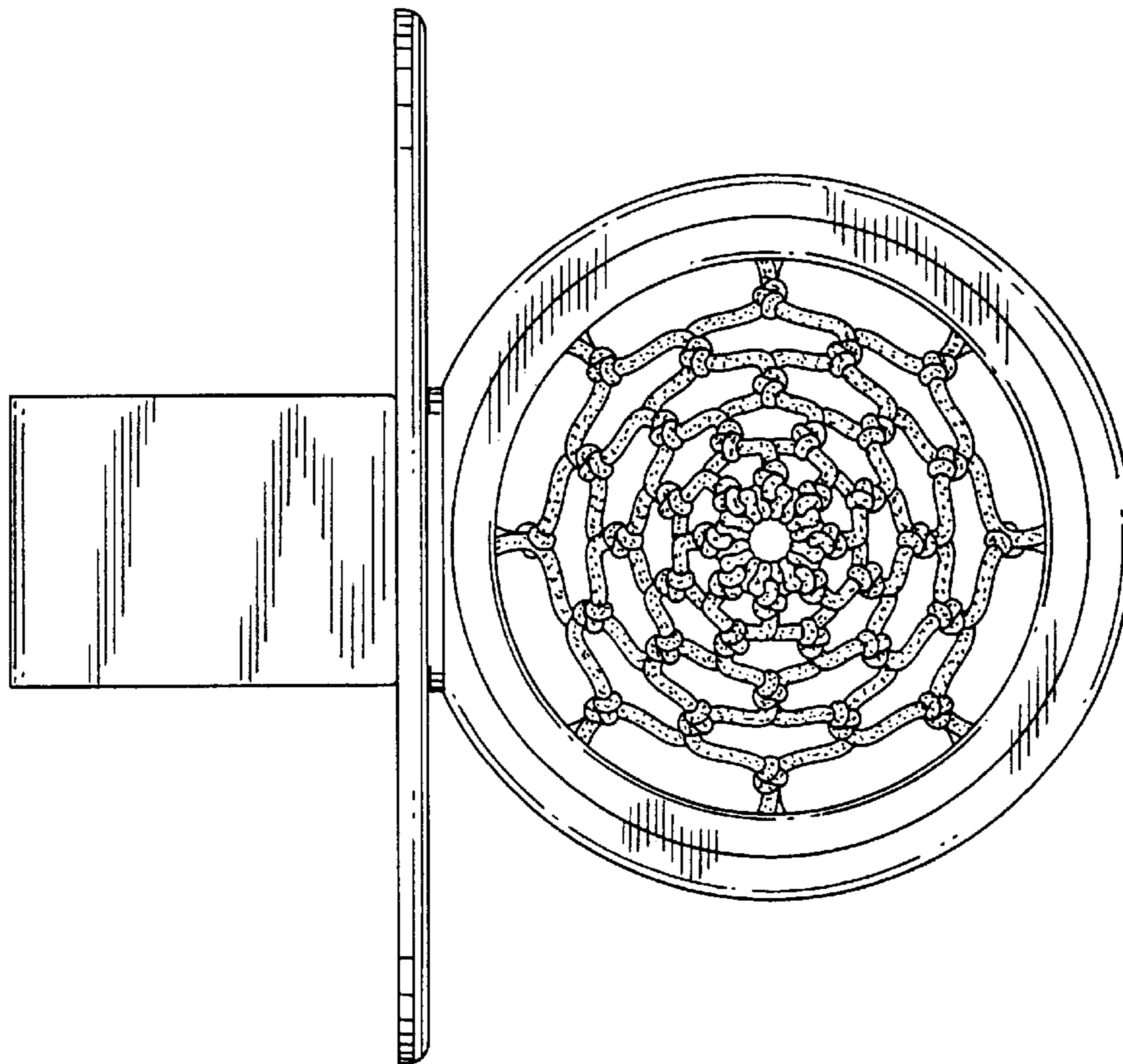


FIG. 5

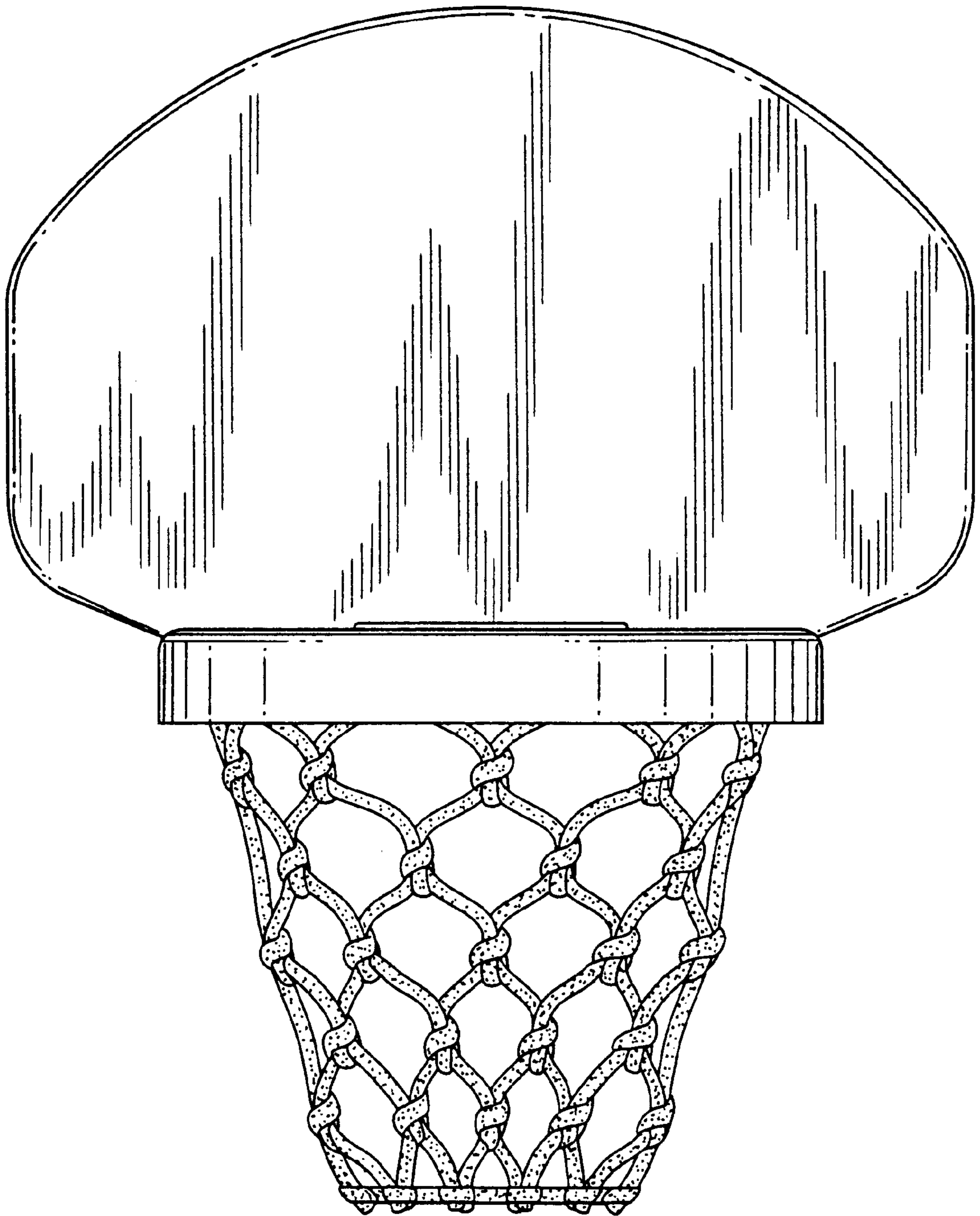


FIG. 7

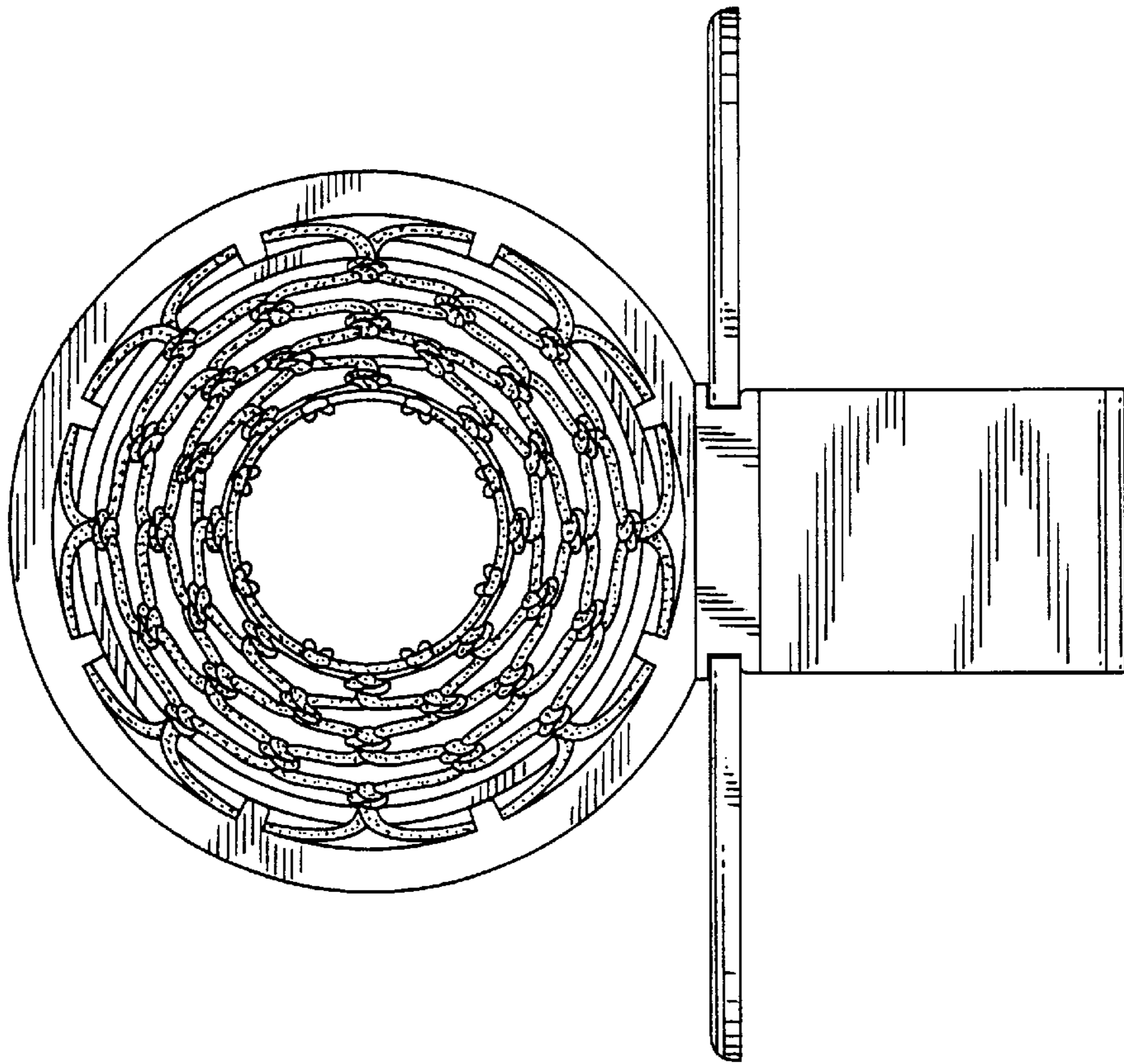


FIG. 9

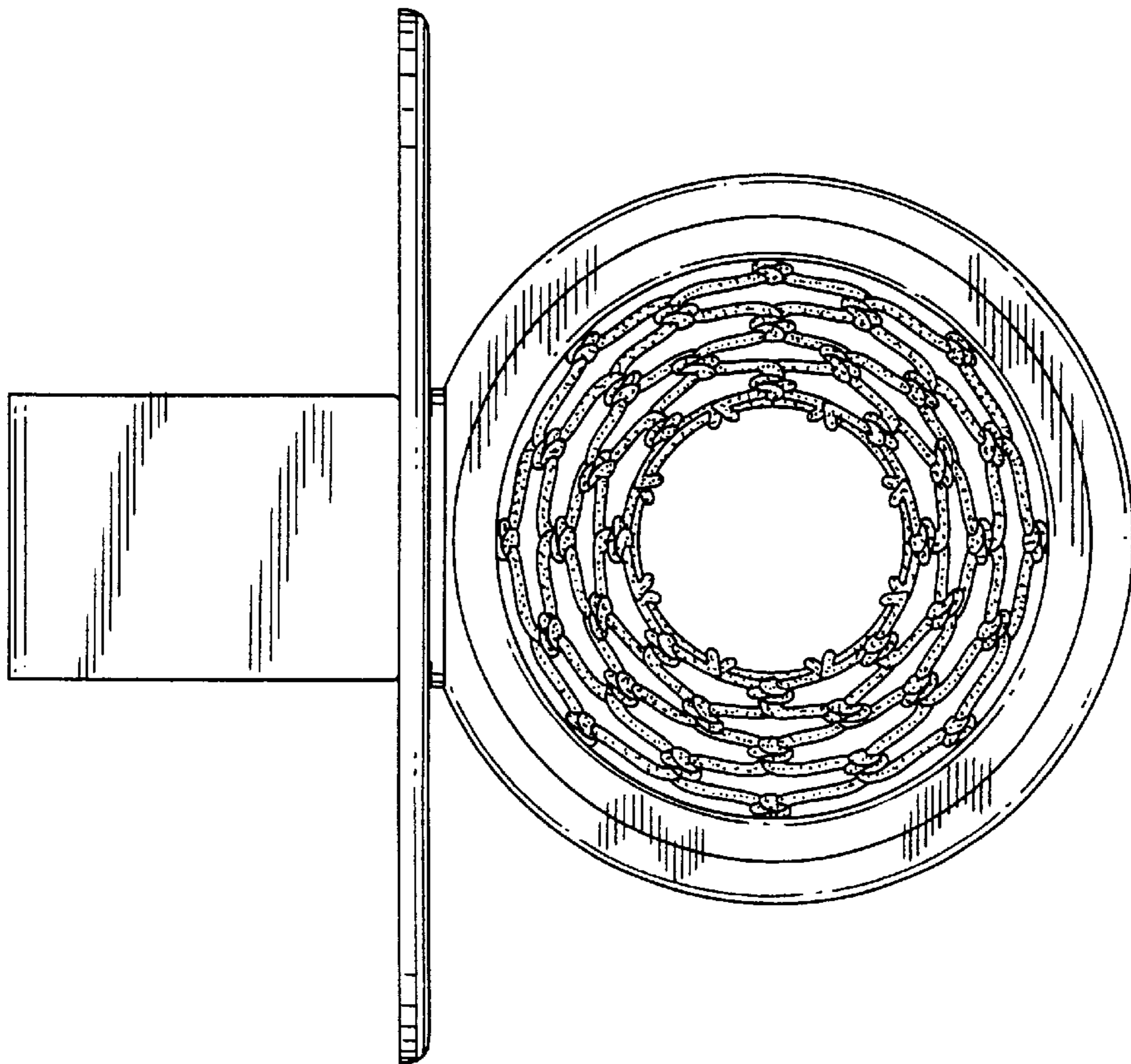


FIG. 8